

US00D854048S

(12) **United States Design Patent** (10) **Patent No.:** **US D854,048 S**
Shook et al. (45) **Date of Patent:** **** Jul. 16, 2019**

(54) **DISPLAY SCREEN WITH ICON**
(71) Applicant: **Deere & Company**, Moline, IL (US)
(72) Inventors: **Gerald Shook**, Fairfield, IA (US); **Eric R. Lang**, Newhall, IA (US); **Daniel E. Derscheid**, Hedrick, IA (US); **Adam C. Anderson**, Urbandale, IA (US); **Sean Pyne-Moran**, Chicago, IL (US)
(73) Assignee: **DEERE & COMPANY**, Moline, IL (US)
(**) Term: **15 Years**
(21) Appl. No.: **29/602,026**
(22) Filed: **Apr. 27, 2017**
(51) **LOC (11) Cl.** **14-04**
(52) **U.S. Cl.**
USPC **D14/492**
(58) **Field of Classification Search**
USPC D14/485-495; D5/20, 26, 30, 40, 63-65; D20/10, 11, 22-33, 39, 40
CPC G06F 3/048-04897; G01C 21/36; G08G 1/0962; G08G 1/123; A01F 15/08; A01B 69/007; A01B 79/005; A01D 75/00
See application file for complete search history.

(56) **References Cited**
U.S. PATENT DOCUMENTS
7,085,777 B2 * 8/2006 Beck A01B 79/005
D589,054 S * 3/2009 Koursoumidis D14/492
D593,127 S * 5/2009 Hosokawa D14/492
8,527,157 B2 * 9/2013 Imhof A01D 57/20
701/50
D700,619 S * 3/2014 Ito D14/492
D730,401 S 5/2015 Bray et al.
D745,557 S * 12/2015 Sikkema D14/492
D760,247 S * 6/2016 Oyama D14/485

D761,312 S 7/2016 Sikkema et al.
D810,109 S * 2/2018 Makowski D14/486
D839,889 S * 2/2019 Buchter D14/485
2012/0229394 A1 * 9/2012 Ehrl G05B 19/042
345/173
2012/0287152 A1 * 11/2012 Kunigita G06T 3/40
345/628
2015/0268724 A1 * 9/2015 Levesque G06F 3/016
345/156
2016/0157275 A1 * 6/2016 Matthews H04W 76/10
701/2

OTHER PUBLICATIONS

Connect Mobile—How to Follow the Planter, by John Deere, YouTube [online], published on Feb. 16, 2017, [retrieved on Feb. 14, 2019], retrieved from the Internet <URL: https://www.youtube.com/watch?v=oZ7E1O5OTA4> (Year: 2017).*
How to Setup a John Deere 2630 Display for Harvest, by mosydenstrickers, YouTube [online], published on Aug. 4, 2015, [retrieved on Feb. 14, 2019], retrieved from the Internet <URL: https://www.youtube.com/watch?v=myHeJpufQ0Y> (Year: 2015).*

(Continued)

Primary Examiner — Cathron C Brooks
Assistant Examiner — Ian F Whitmore
(74) *Attorney, Agent, or Firm* — Klintworth & Rozenblat IP LLP

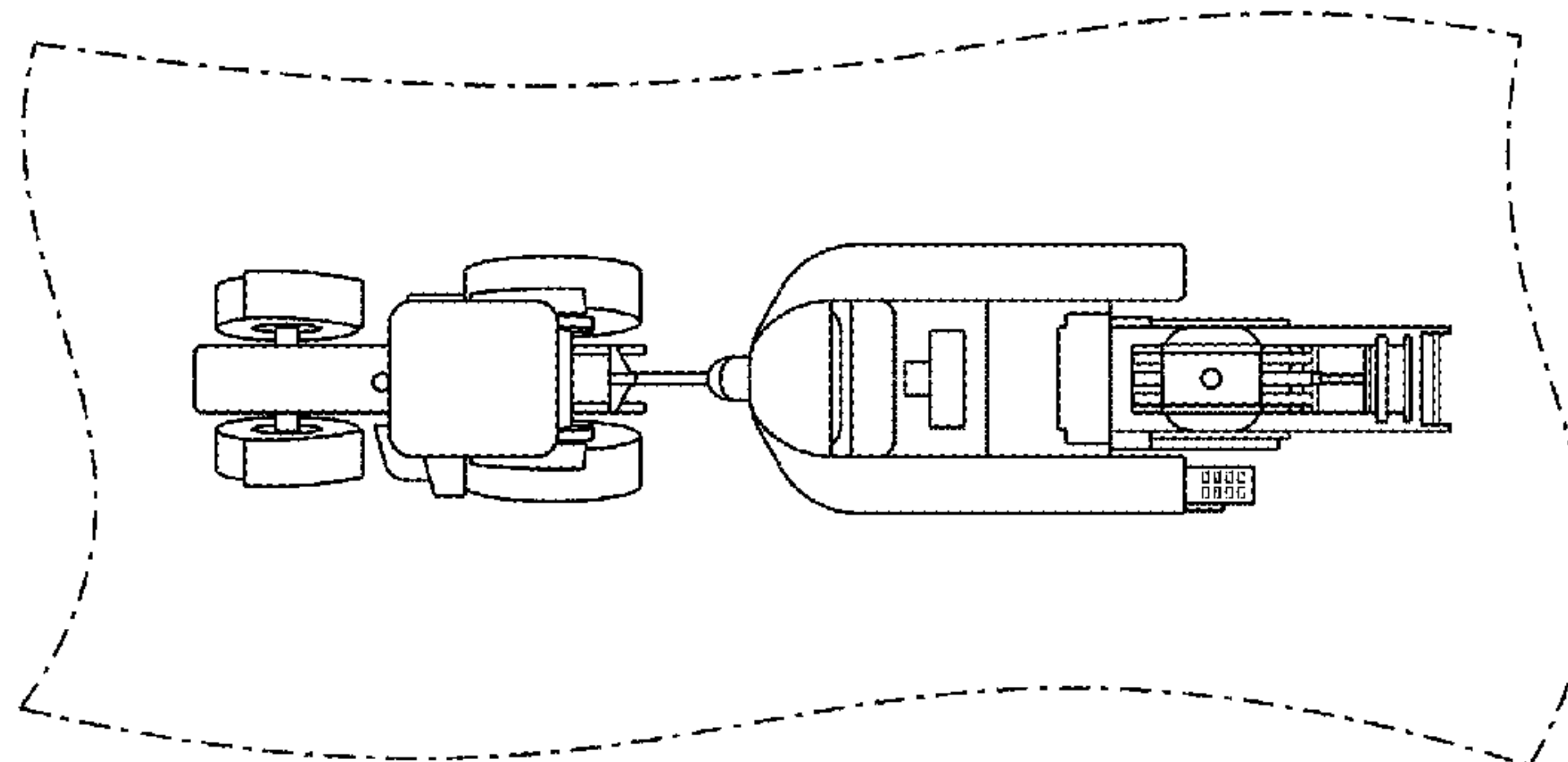
(57) **CLAIM**

The ornamental design for a display screen with icon, as shown and described.

DESCRIPTION

The FIGURE is a front view of a display screen with icon according to our new design. The dot-dash line illustrates the display screen and forms no part of the claimed design.

1 Claim, 1 Drawing Sheet



(56)

References Cited

OTHER PUBLICATIONS

Maquinaria Agricola Vista Superior Sistema de Pictogramas, by macrovector, sp.depositphotos.com [online], published on Dec. 20, 2015, [retrieved on Feb. 14, 2019], retrieved from the Internet <URL: <https://sp.depositphotos.com/93646998/stock-illustration-agricultural-machinery-top-view-pictograms.html>> (Year: 2015).*

* cited by examiner

