



US00D854047S

(12) **United States Design Patent**
Stephens et al.

(10) **Patent No.:** **US D854,047 S**
(45) **Date of Patent:** **** Jul. 16, 2019**

(54) **DISPLAY SCREEN WITH ANIMATED GRAPHICAL USER INTERFACE**

(71) Applicant: **CFPH, LLC**, New York, NY (US)

(72) Inventors: **Jeffrey Stephens**, Monroe, NJ (US);
Todd Berlent, New York, NY (US);
Luis Fernandez, Monroe, NJ (US)

(73) Assignee: **CFPH, LLC**, New York, NY (US)

(**) Term: **15 Years**

(21) Appl. No.: **29/619,629**

(22) Filed: **Sep. 29, 2017**

Related U.S. Application Data

(63) Continuation of application No. 29/545,529, filed on Nov. 13, 2015, now Pat. No. Des. 813,270.

(51) **LOC (11) Cl.** **14-04**

(52) **U.S. Cl.**
USPC **D14/491**

(58) **Field of Classification Search**
USPC D14/485-495
CPC B61C 11/04; B64C 29/00; G06F 3/04817;
G06F 3/0482; G06F 2203/04807; G06T
15/02; G06T 13/80; H04M 1/2477; H04N
1/00424

See application file for complete search history.

(56) **References Cited**

U.S. PATENT DOCUMENTS

D470,858 S *	2/2003	Flamini	D14/488
D683,356 S *	5/2013	Hally	D14/486
8,661,465 B2 *	2/2014	Gordon	H04N 5/4401 725/32
D710,377 S *	8/2014	Rydenhag	D14/488
D710,871 S *	8/2014	McCormack	D14/486
D722,319 S *	2/2015	Moore	D14/486
D736,811 S *	8/2015	Teichner	D14/486

(Continued)

FOREIGN PATENT DOCUMENTS

WO WO 2006/126205 11/2006

OTHER PUBLICATIONS

Roberts, P. "Information Visualization for Stock Market Ticks: Toward a New Trading Interface"; Massachusetts Institute of Technology Sloan School of Management. Publication online, Feb. 2014 [retrieved Aug. 31, 2016], 83 pages.

(Continued)

Primary Examiner — Philip S Hyder

Assistant Examiner — Cary M Robinson

(57) **CLAIM**

The ornamental design for a display screen with animated graphical user interface, as shown and described.

DESCRIPTION

FIG. 1 is a first image in a first embodiment for a display screen with animated graphical user interface showing the new design;

FIG. 2 is the second image thereof;

FIG. 3 is the third image thereof;

FIG. 4 is a first image in a second embodiment for a display screen with animated graphical user interface showing the new design;

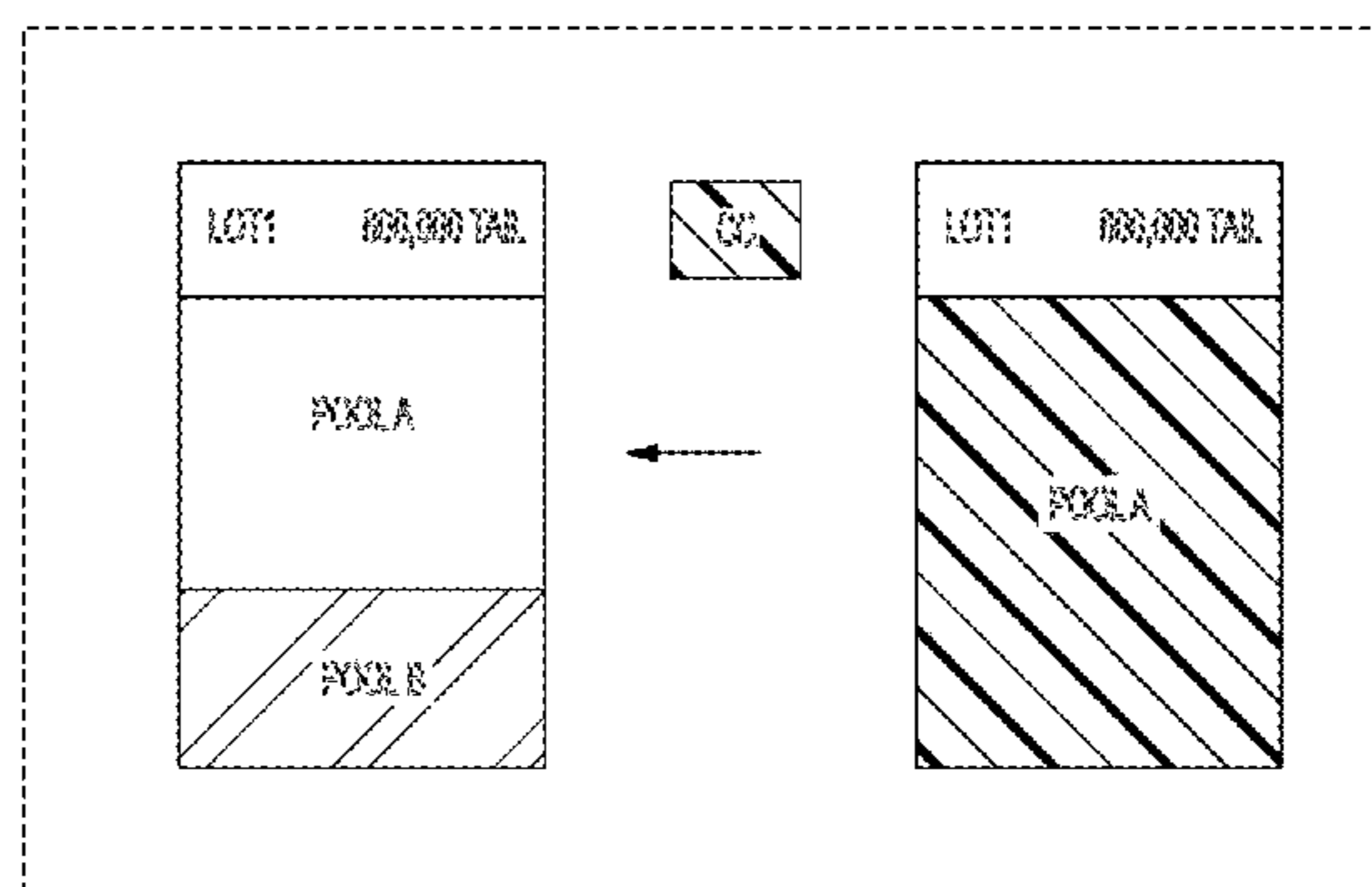
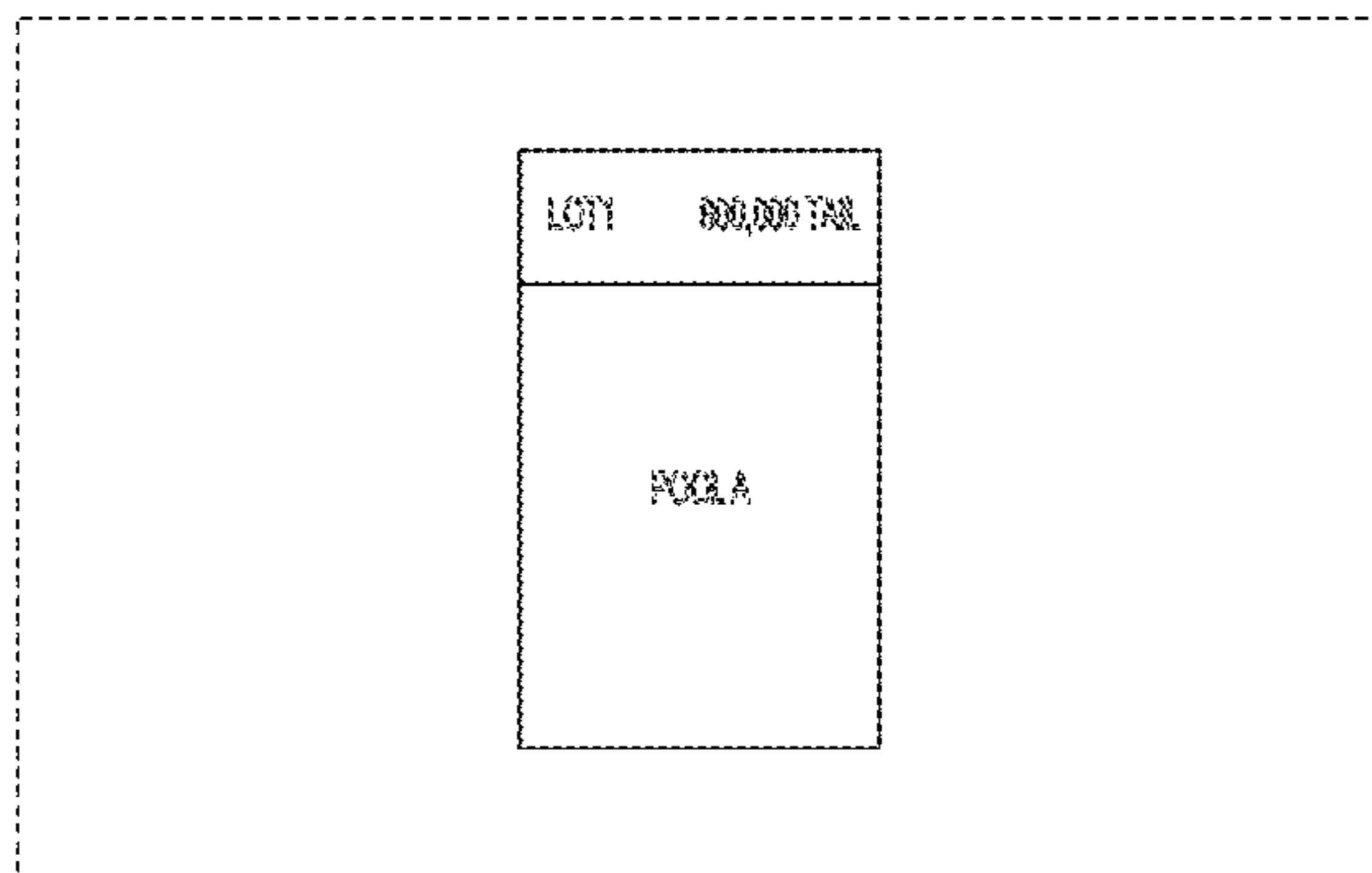
FIG. 5 is the second image thereof; and,

FIG. 6 is the third image thereof.

The outermost broken line illustrates the display screen and the broken line showing of text and numbers illustrate portions of the animated graphical user interface. None of the broken lines form part of the claimed design.

The appearance of the transitional image sequentially transitions between the images shown in FIGS. 1-3 and FIGS. 4-6. The process or period in which one image transitions to another form no part of the claimed design.

1 Claim, 6 Drawing Sheets



(56)

References Cited

U.S. PATENT DOCUMENTS

D752,076	S *	3/2016	Guesnon, Jr.	D14/486
D756,389	S *	5/2016	Kwon	D14/486
9,600,298	B2 *	3/2017	Geva	G06F 9/451
9,612,720	B2 *	4/2017	Le	G06F 3/0482
9,615,065	B2 *	4/2017	Frenette	G06F 3/04842
9,632,692	B2 *	4/2017	Puthenveetil	G06F 3/0488
D813,270	S	3/2018	Stephens et al.	
10,037,579	B2	7/2018	Berlent et al.	
2004/0233201	A1	11/2004	Calkins et al.	
2006/0020538	A1	1/2006	Ram et al.	
2011/0225522	A1 *	9/2011	Kamiyama	G06F 8/34
				715/762
2013/0268858	A1 *	10/2013	Kim	G06F 3/0488
				715/716
2015/0009219	A1	1/2015	Rubin et al.	
2015/0066980	A1 *	3/2015	Kim	G06F 17/30277
				707/769
2015/0294409	A1	10/2015	Madhavan	
2017/0092062	A1 *	3/2017	Tsutsui	G07F 17/3246
2017/0102870	A1 *	4/2017	Won	G06F 3/0481
2018/0336633	A1	11/2018	Todd et al.	

OTHER PUBLICATIONS

Notification of Transmittal of the International Search Report and the Written Opinion of the International Searching Authority dated Sep. 30, 2016 for International Application No. PCT/US16/40734, 7 pages.

* cited by examiner

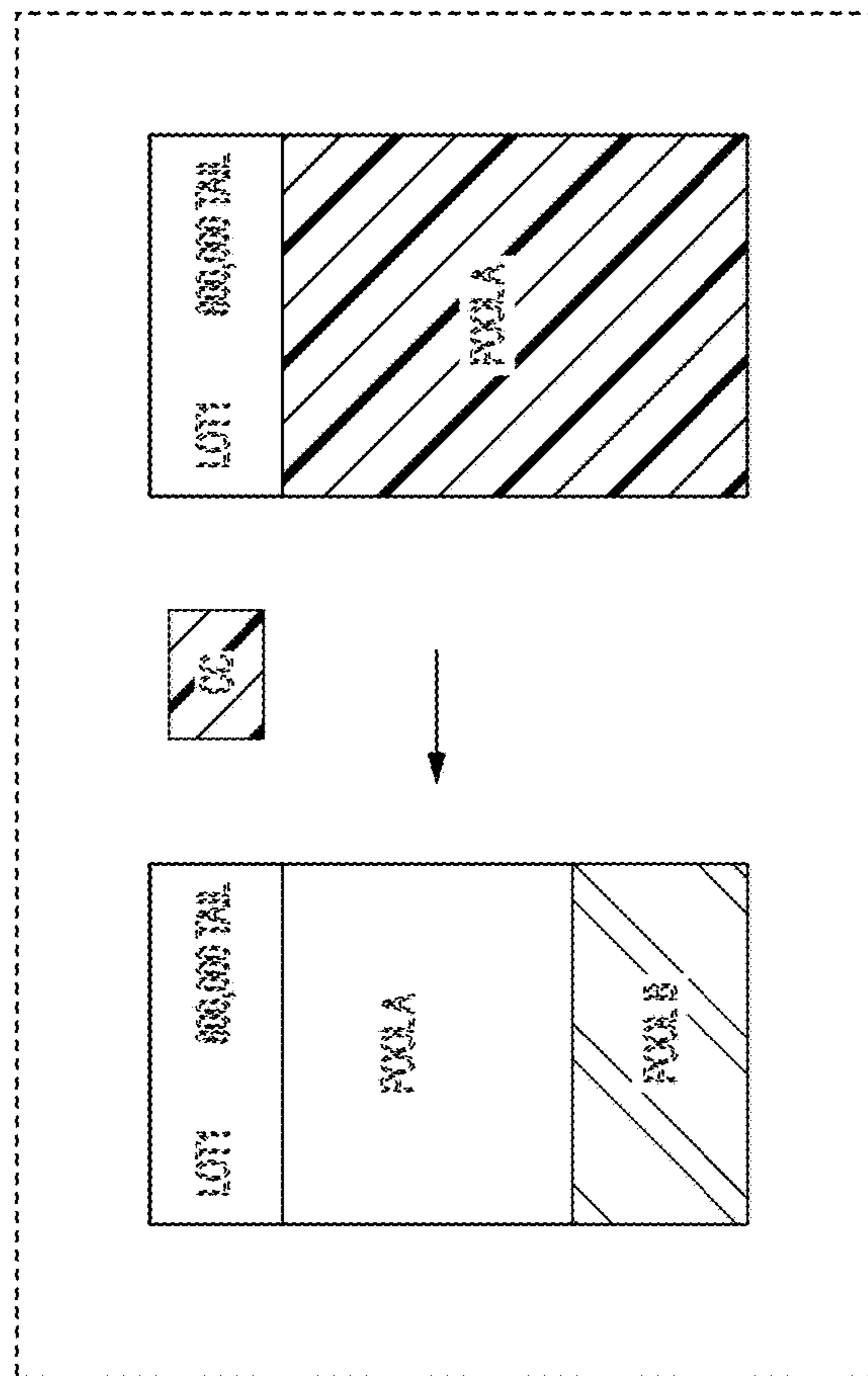


FIG. 2

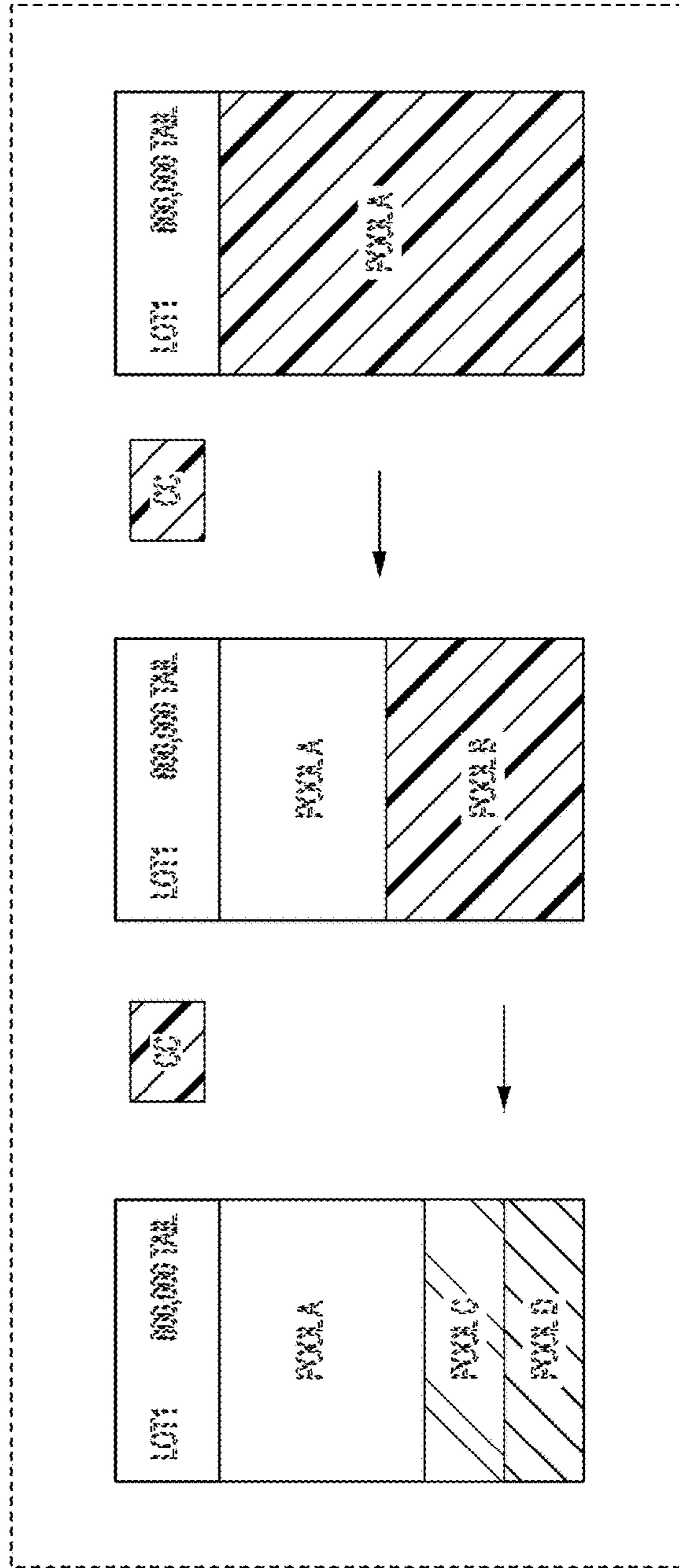


FIG. 3

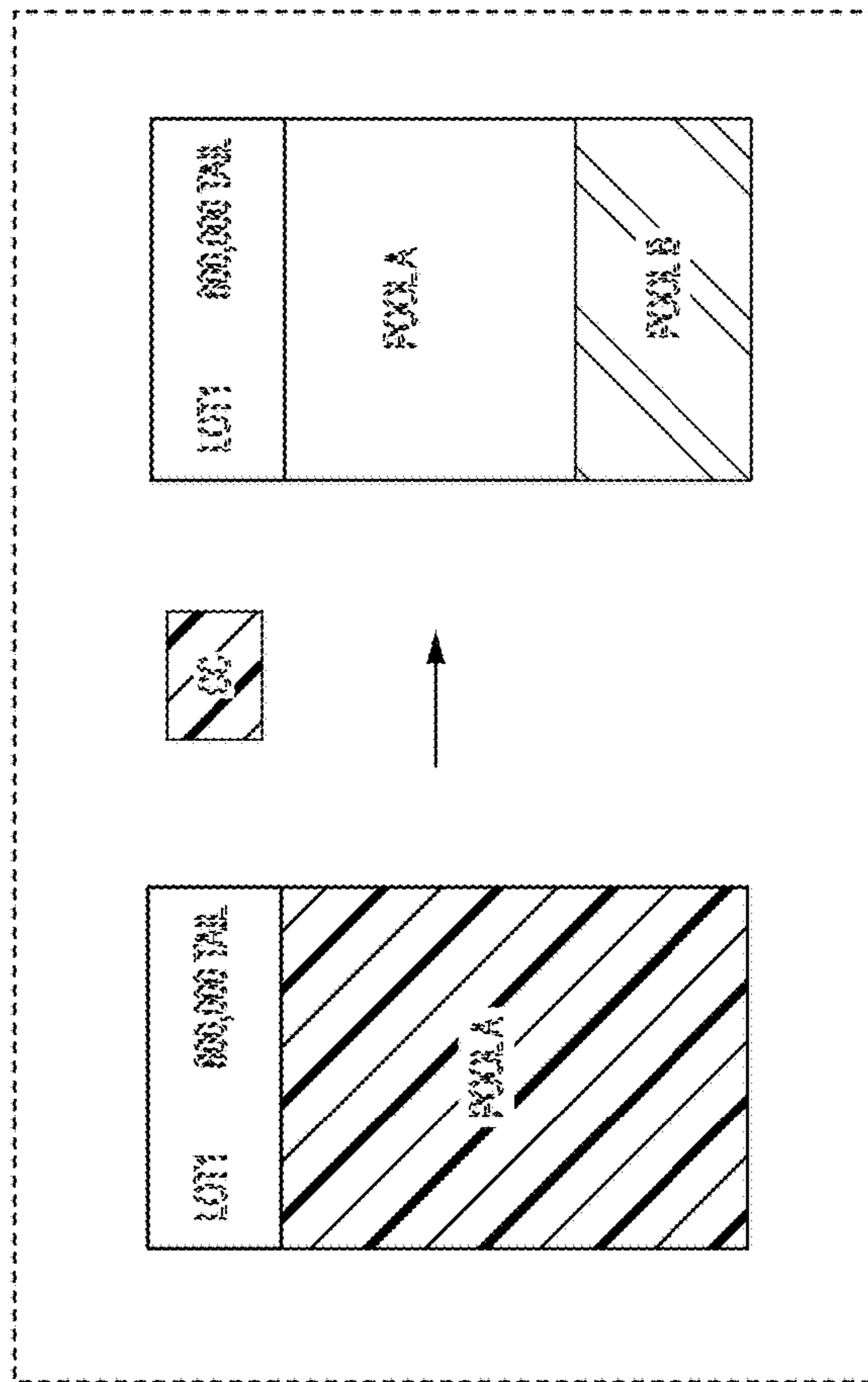


FIG. 5

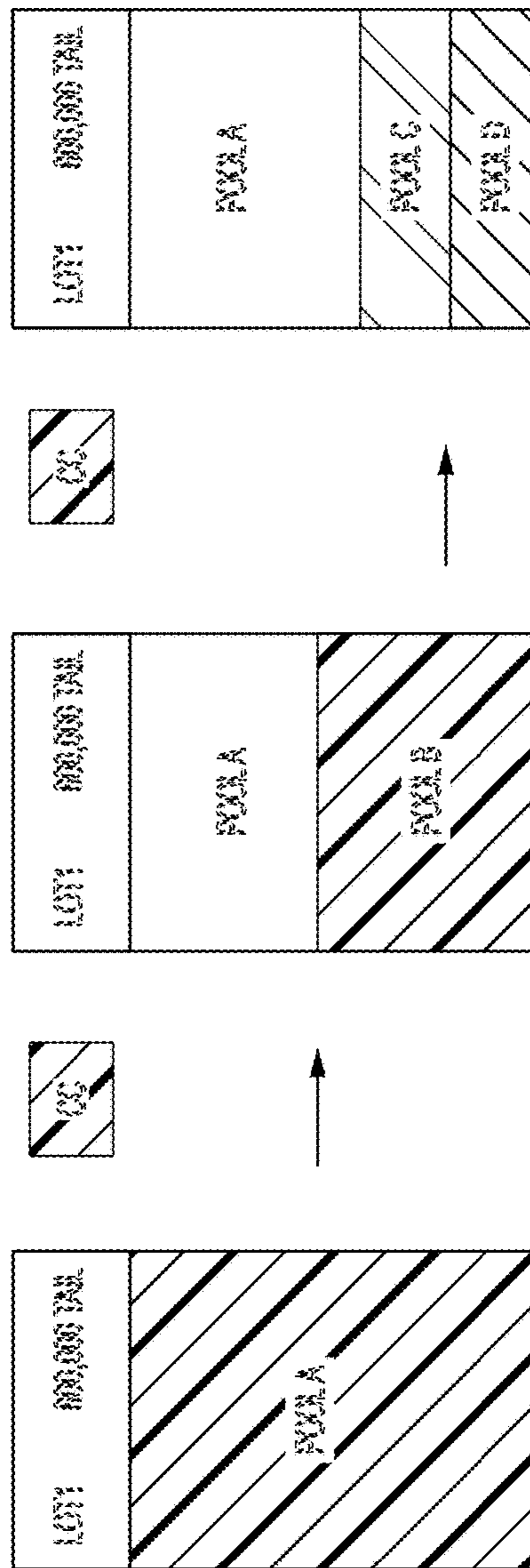


FIG. 6