



US00D854028S

(12) **United States Design Patent** (10) **Patent No.:** **US D854,028 S**
Oh et al. (45) **Date of Patent:** **** Jul. 16, 2019**

(54) **DISPLAY SCREEN OR PORTION THEREOF WITH TRANSITIONAL GRAPHICAL USER INTERFACE**

(71) Applicant: **SAMSUNG ELECTRONICS CO., LTD.**, Suwon-si, Gyeonggi-do (KR)

(72) Inventors: **Saegye Oh**, Goyang-si (KR); **Sihak Jang**, Suwon-si (KR); **Jamin Goo**, Suwon-si (KR); **Kiyoung Kwon**, Yongin-si (KR); **Gangheok Kim**, Suwon-si (KR); **Kiwon Kim**, Suwon-si (KR); **Minsoo Kim**, Seoul (KR); **Yonguk Kim**, Seoul (KR); **Jimin Kim**, Busan (KR); **Chulkwi Kim**, Yongin-si (KR); **Joo Namkung**, Gwangju-si (KR); **Seonghoon Yu**, Seoul (KR); **Yongju Yu**, Seoul (KR); **Dongkyu Lee**, Yongin-si (KR); **Yosub Lee**, Seoul (KR); **Imsung Lee**, Seoul (KR); **Chanwon Lee**, Suwon-si (KR)

(73) Assignee: **SAMSUNG ELECTRONICS CO., LTD.**, Gyeongg-Do (KR)

(**) Term: **15 Years**

(21) Appl. No.: **29/618,081**

(22) Filed: **Sep. 19, 2017**

(30) **Foreign Application Priority Data**

Apr. 5, 2017 (KR) 30-2017-0015783

(51) **LOC (11) Cl.** **14-04**

(52) **U.S. Cl.**
USPC **D14/485**

(58) **Field of Classification Search**
USPC D14/485-495
CPC G06F 3/048; G06F 3/0481; G06F 3/0482; G06F 3/04842; G06F 3/04817
See application file for complete search history.

(56) **References Cited**

U.S. PATENT DOCUMENTS

D736,229 S * 8/2015 Kim D14/486
D759,677 S * 6/2016 Oguntebi D14/485
D763,310 S * 8/2016 Min D14/485

(Continued)

FOREIGN PATENT DOCUMENTS

EM 001769142-0001 10/2010
EM 001769142-0002 10/2010

(Continued)

Primary Examiner — Sheryl Lane

Assistant Examiner — Nicole C Shiflet

(74) *Attorney, Agent, or Firm* — Cantor Colburn LLP

(57) **CLAIM**

We claim, the ornamental design for a display screen or portion thereof with transitional graphical user interface, as shown and described.

DESCRIPTION

FIG. 1 is a first image in a sequence for a display screen or portion thereof with transitional graphical user interface, showing our new design;

FIG. 2 is a second image in a sequence thereof;

FIG. 3 is a third image in a sequence thereof;

FIG. 4 is a fourth image in a sequence thereof;

FIG. 5 is a fifth image in a sequence thereof;

FIG. 6 is a sixth image in a sequence thereof; and,

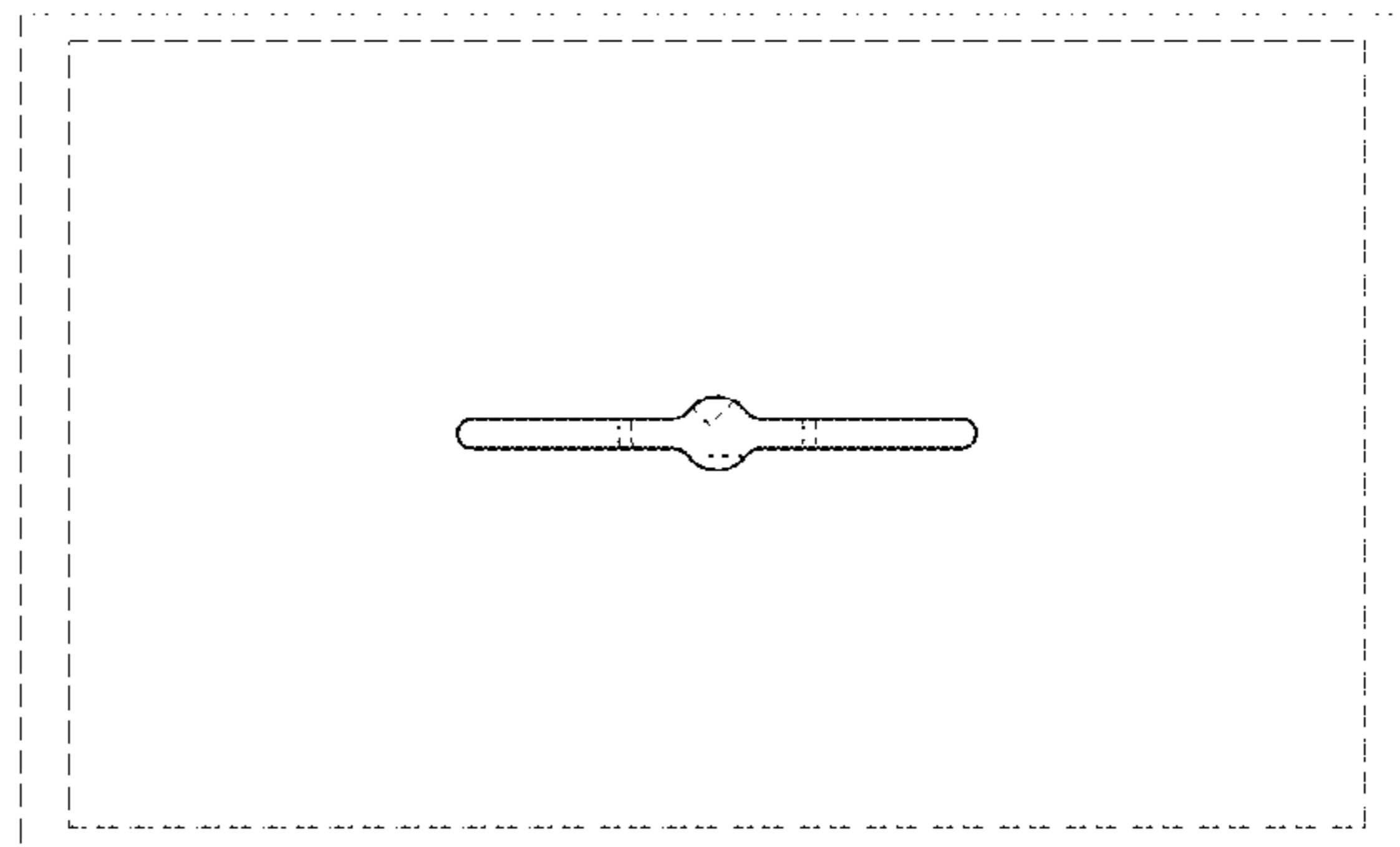
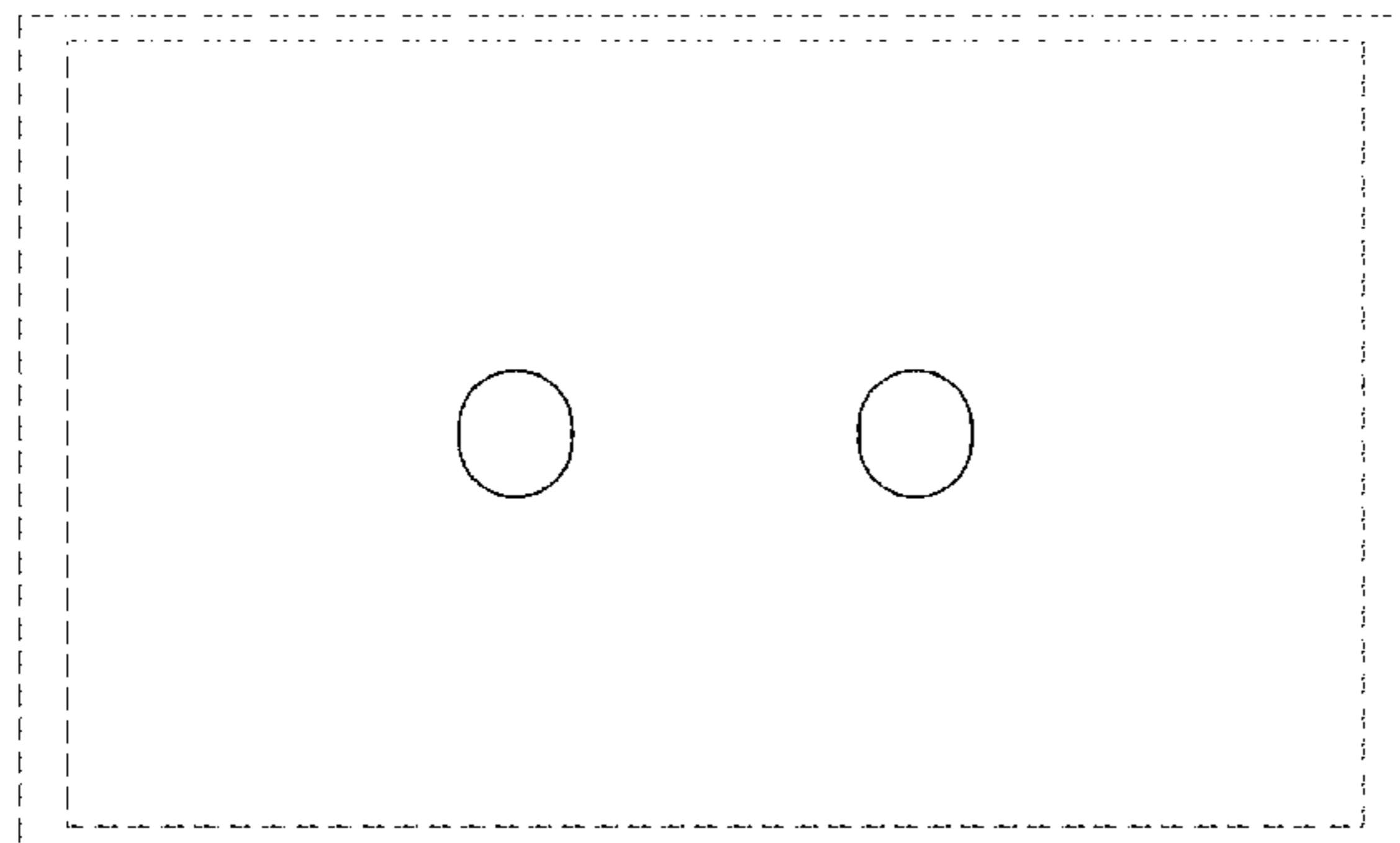
FIG. 7 is a seventh in a sequence thereof.

The broken lines illustrating portions of the transitional graphical user interface form no part of the claimed design.

The outermost broken lines illustrating the display screen or portion thereof form no part of the claimed design.

The process or period in which one image transitions to another forms no part of the claimed design.

1 Claim, 7 Drawing Sheets



(56)

References Cited

U.S. PATENT DOCUMENTS

D764,520 S	*	8/2016	Lee	D14/488
D769,929 S	*	10/2016	Kim	D14/487
D773,502 S	*	12/2016	Park	D14/486
D776,124 S	*	1/2017	Lee	D14/485
D778,312 S	*	2/2017	Goodwin	D14/487
D782,506 S	*	3/2017	Kim	D14/485
D782,521 S	*	3/2017	Pilch	D14/487
D797,126 S	*	9/2017	Broughton	D14/485
D813,900 S	*	3/2018	Karunamuni	D14/487
D820,852 S	*	6/2018	Chung	D14/485

FOREIGN PATENT DOCUMENTS

EM	001769142-0003	10/2010
EM	001769142-0004	10/2010
EM	001769142-0005	10/2010
EM	001769142-0006	10/2010

* cited by examiner

FIG. 1

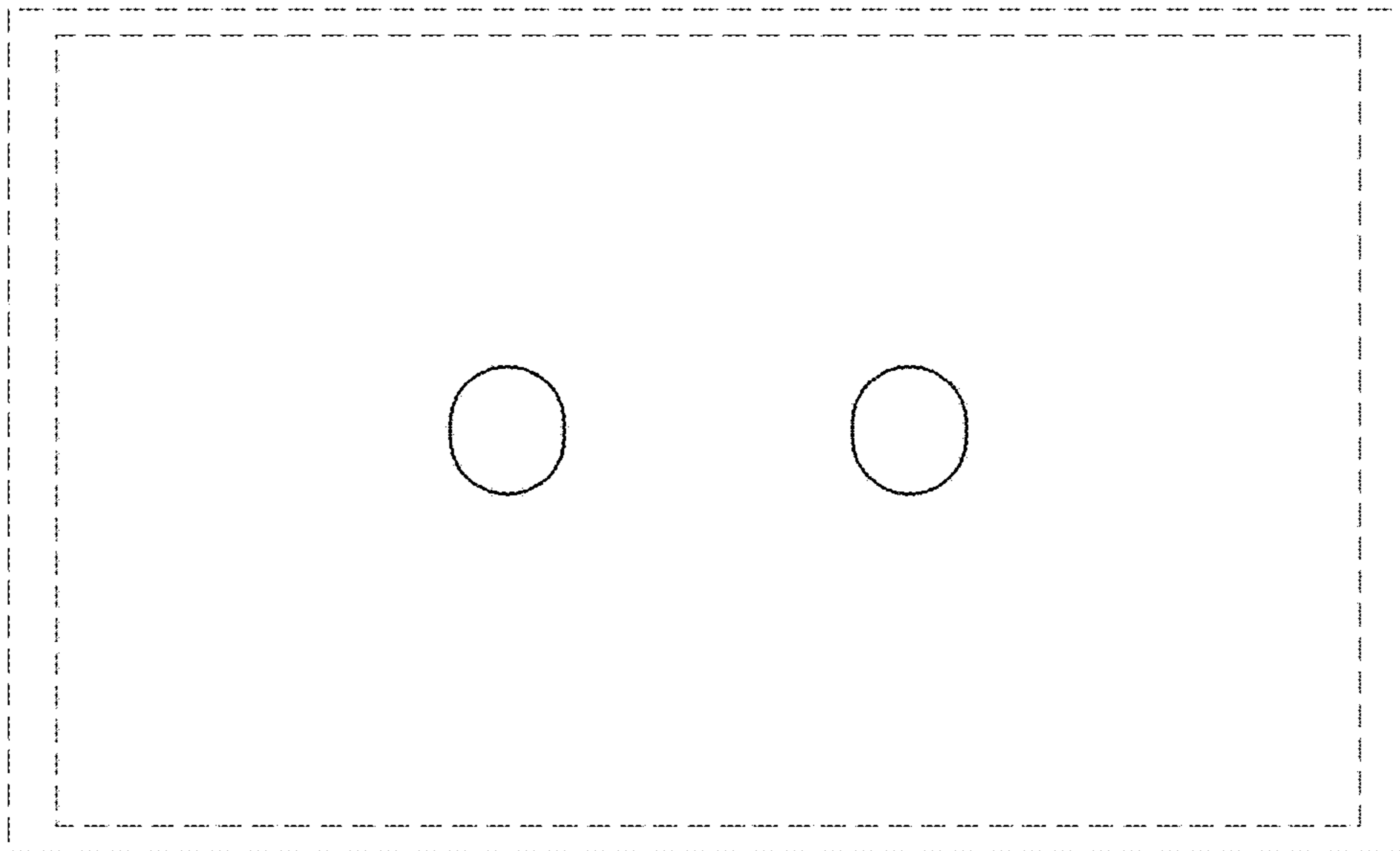


FIG. 2

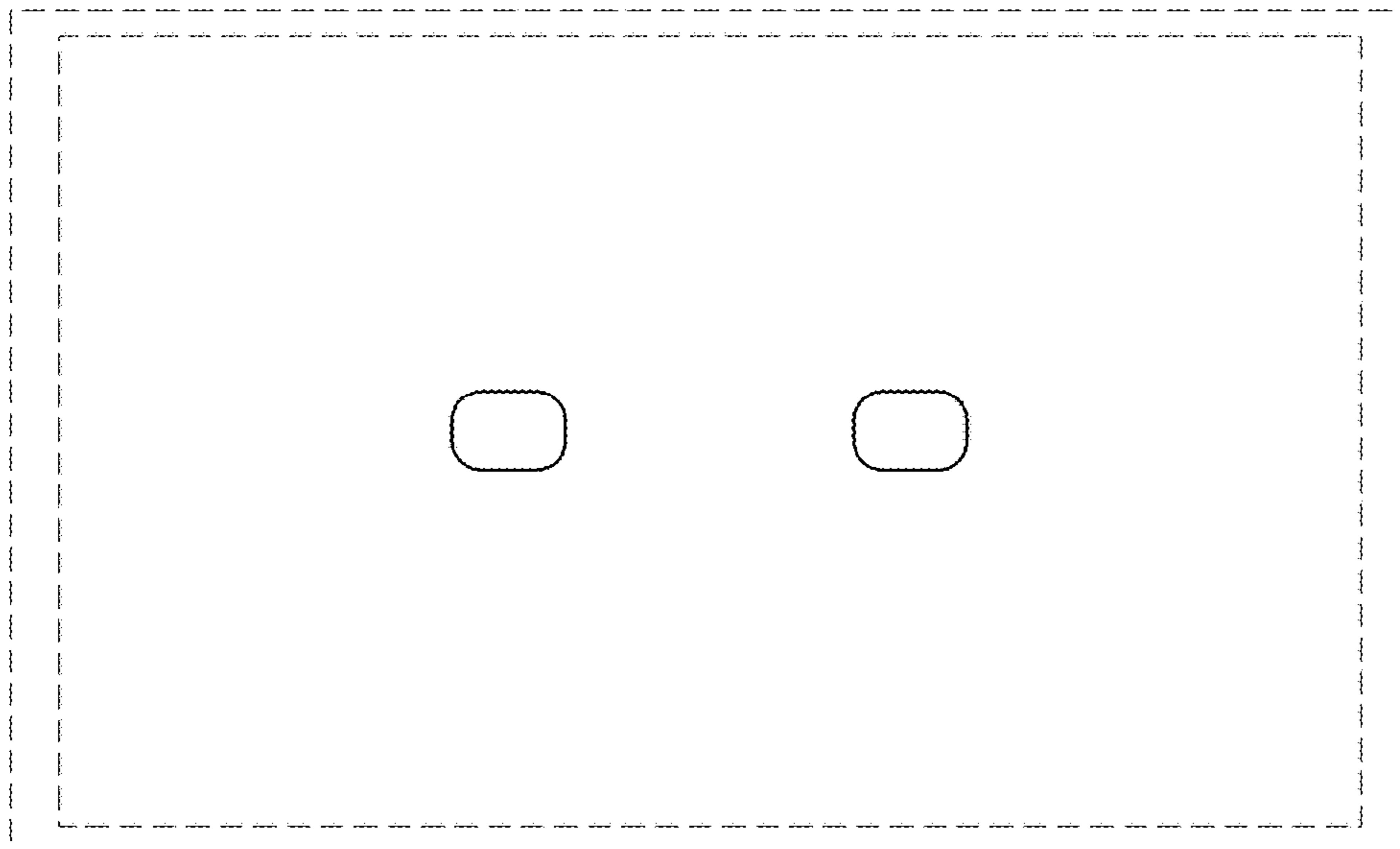


FIG. 3

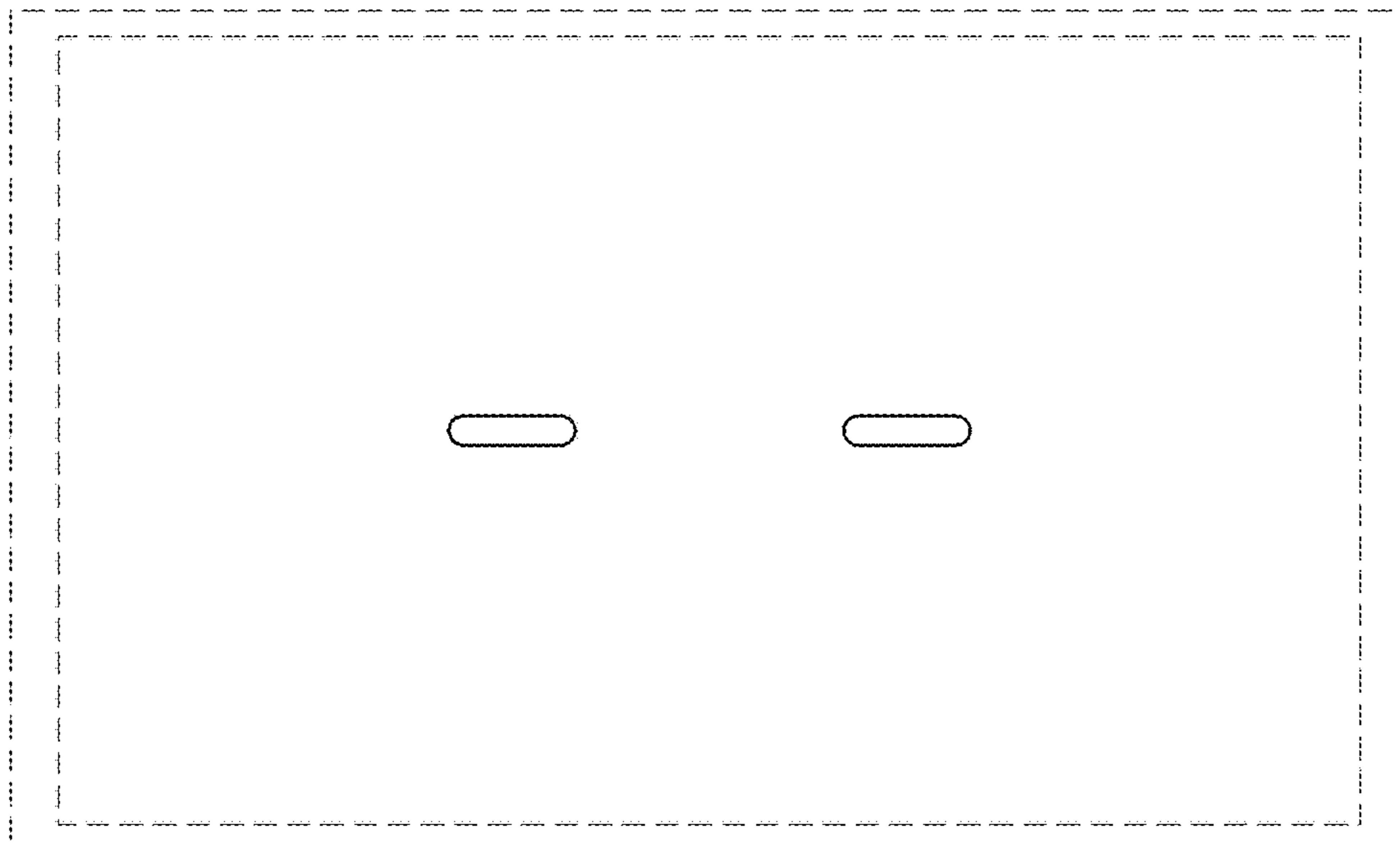


FIG. 4

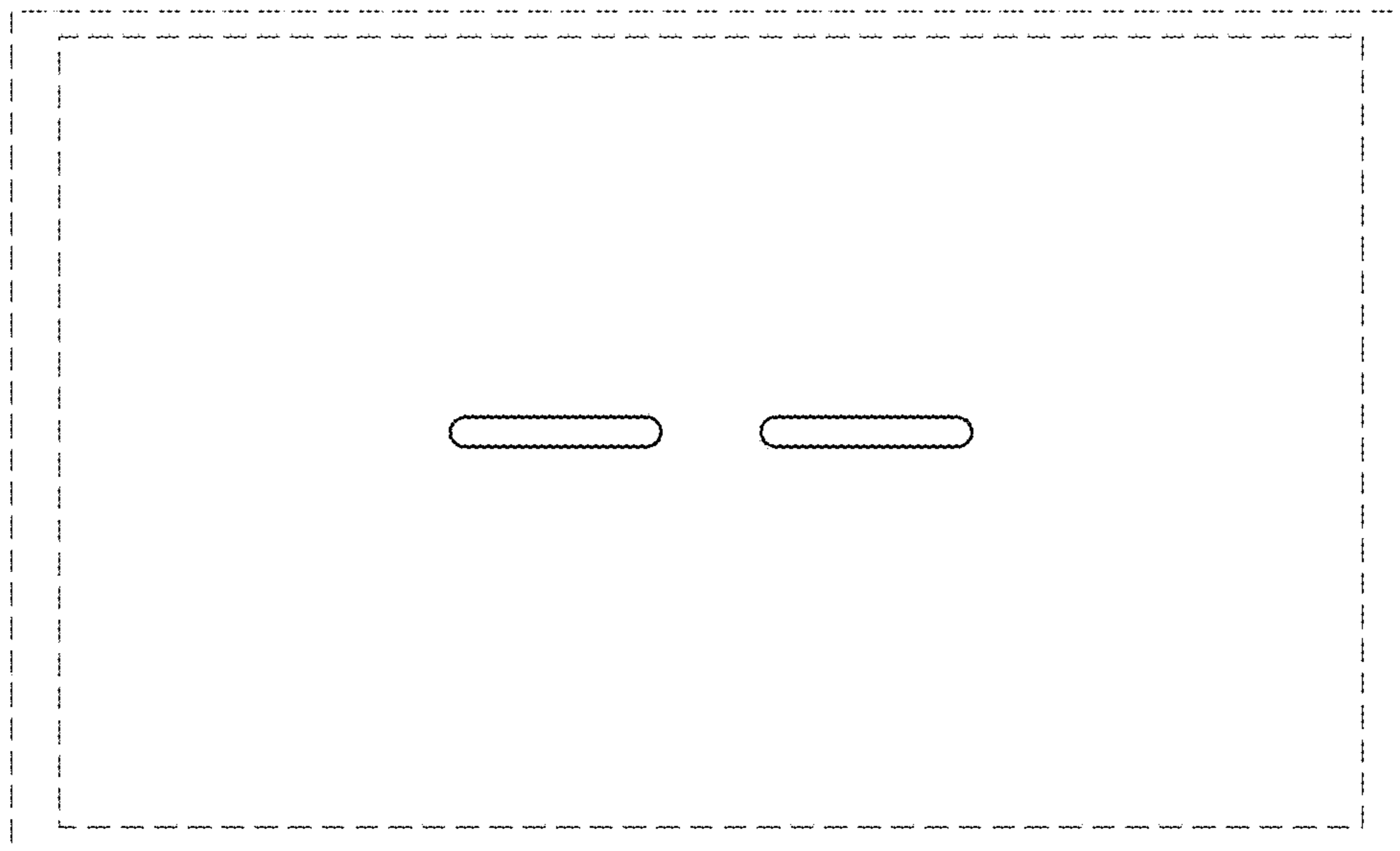


FIG. 5

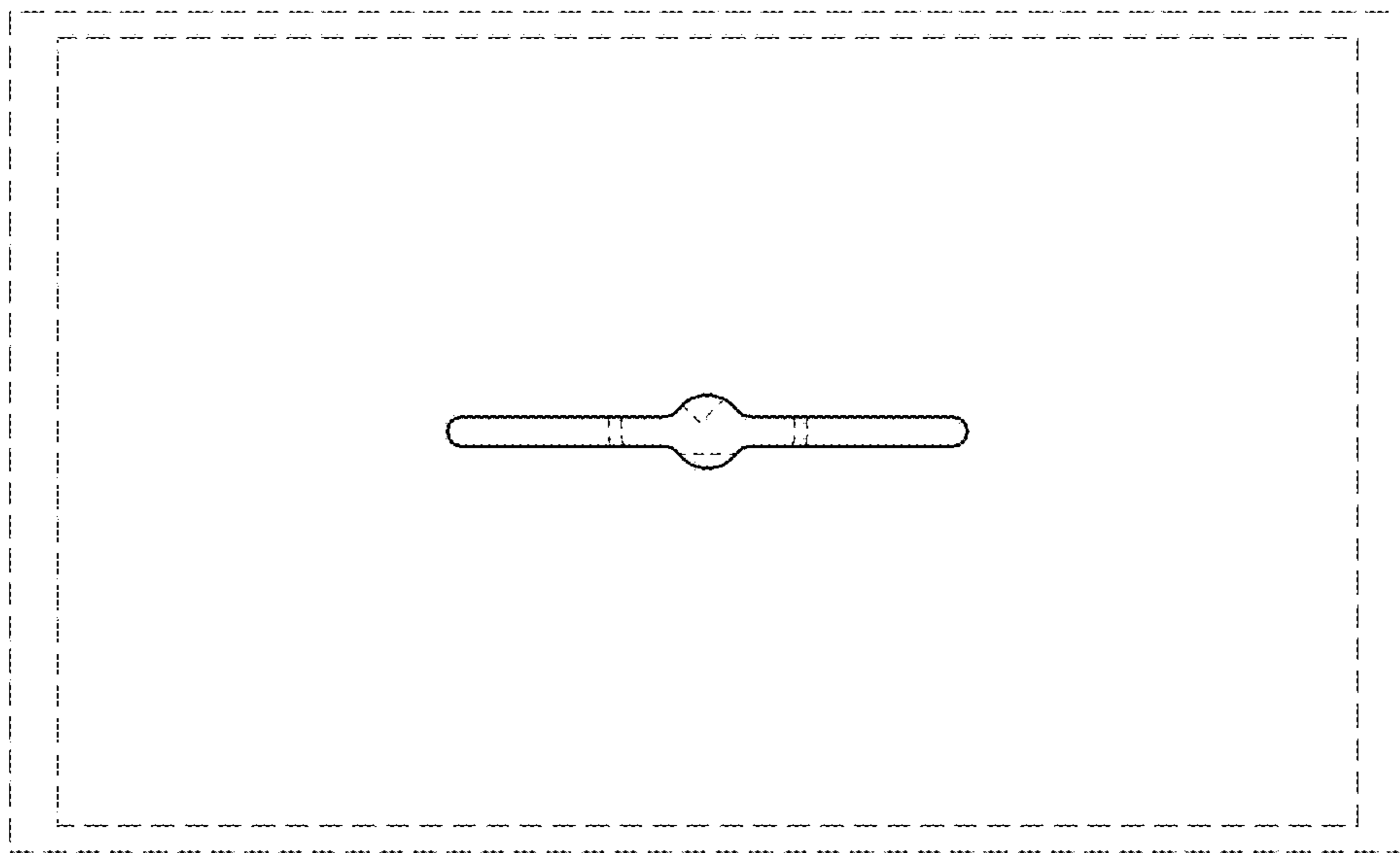


FIG. 6

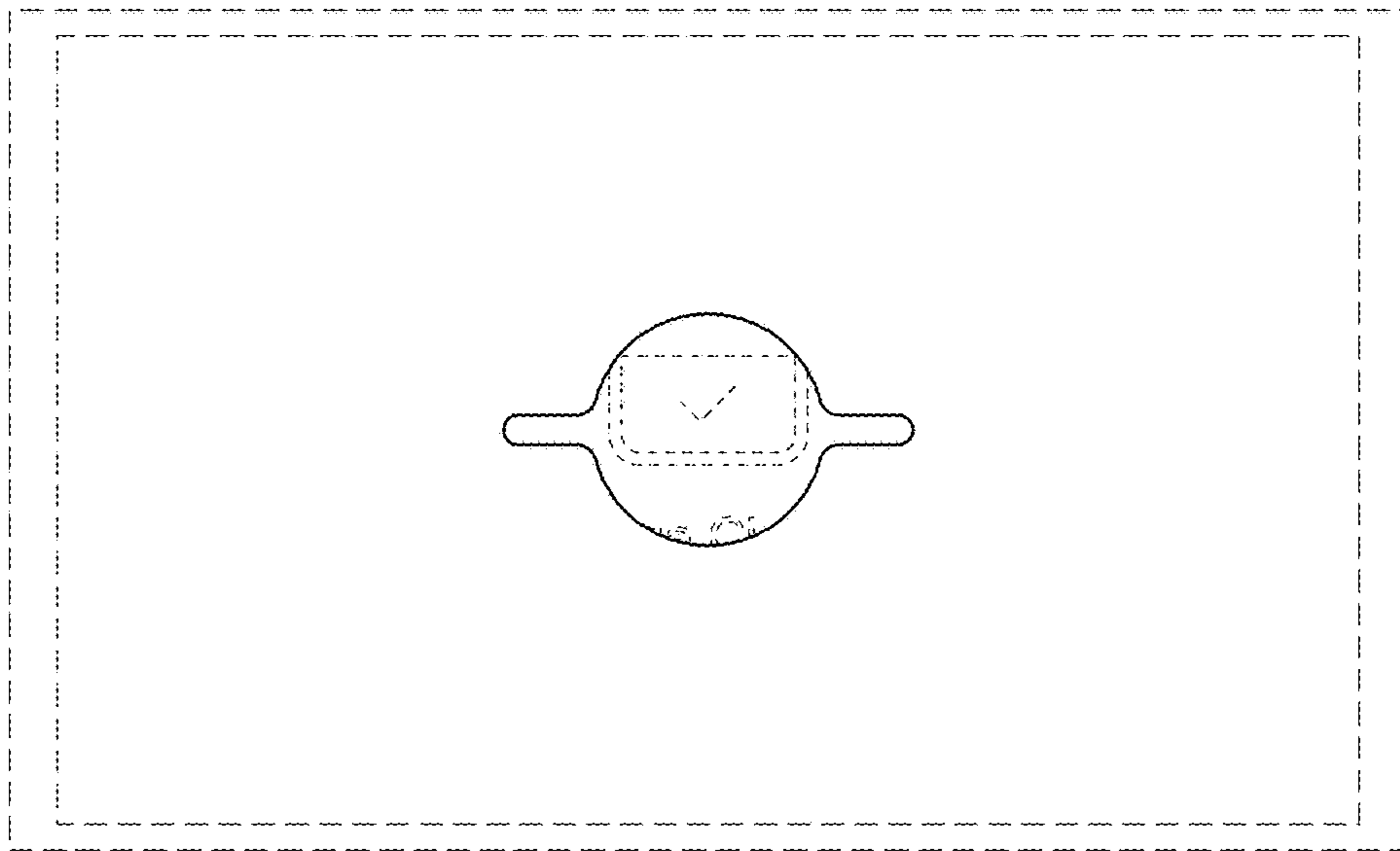


FIG. 7

