



US00D854023S

(12) **United States Design Patent** (10) **Patent No.:** **US D854,023 S**
Yang (45) **Date of Patent:** **** Jul. 16, 2019**

(54) **PROTECTIVE CASE FOR MOBILE DEVICE**

(71) Applicant: **i-Blason LLC**, Alpharetta, GA (US)

(72) Inventor: **Xiaoqing Yang**, Alpharetta, GA (US)

(73) Assignee: **I-Blason LLC**, Alpharetta, GA (US)

(**) Term: **15 Years**

(21) Appl. No.: **29/646,082**

(22) Filed: **May 1, 2018**

(51) **LOC (11) Cl.** **14-02**

(52) **U.S. Cl.**
USPC **D14/440**

(58) **Field of Classification Search**
USPC D14/440, 250, 447; 206/45.23, 320,
206/45.2; 361/679.55; 294/25; 224/218
CPC ... G06F 1/1628; G06F 1/1626; A47B 23/044;
H04B 1/3888

See application file for complete search history.

(56) **References Cited**

U.S. PATENT DOCUMENTS

6,726,070	B2 *	4/2004	Lautner	A44C 5/0007 224/221
D492,303	S *	6/2004	Schlieffers	D14/341
D591,801	S *	5/2009	Mak	D21/469
D594,004	S *	6/2009	Takemasa	D14/341
D611,467	S *	3/2010	Gou	D14/315
D613,285	S *	4/2010	Grant	D14/341
D626,123	S *	10/2010	Peng	D14/324
D676,449	S *	2/2013	Probst	D14/440
D685,376	S *	7/2013	Kim	D14/439
D689,056	S *	9/2013	Li	D14/440
D690,704	S *	10/2013	Padilla	D14/440
D691,144	S *	10/2013	Peters	D14/440
D694,246	S *	11/2013	Park	D14/440
D703,672	S *	4/2014	Kim	D14/440
8,690,210	B1 *	4/2014	May	A45F 5/00 224/217

D712,412	S *	9/2014	Bleau	D14/440
D721,075	S *	1/2015	Toda	D14/342
D721,376	S *	1/2015	Lee	D14/440
D725,659	S *	3/2015	Tussy	D14/440
D727,917	S *	4/2015	Yeo	D14/440
D733,154	S *	6/2015	Armstrong	D14/440
D741,335	S *	10/2015	Bastian	D14/440
D747,321	S *	1/2016	London	D14/440
D752,052	S *	3/2016	Park	D14/440
D763,853	S *	8/2016	Pearce	D14/440
D765,085	S *	8/2016	Moore	D14/440
9,407,743	B1 *	8/2016	Hirshberg	H04M 1/04

(Continued)

Primary Examiner — Cynthia R Underwood

(74) *Attorney, Agent, or Firm* — Wang Law Firm, Inc.

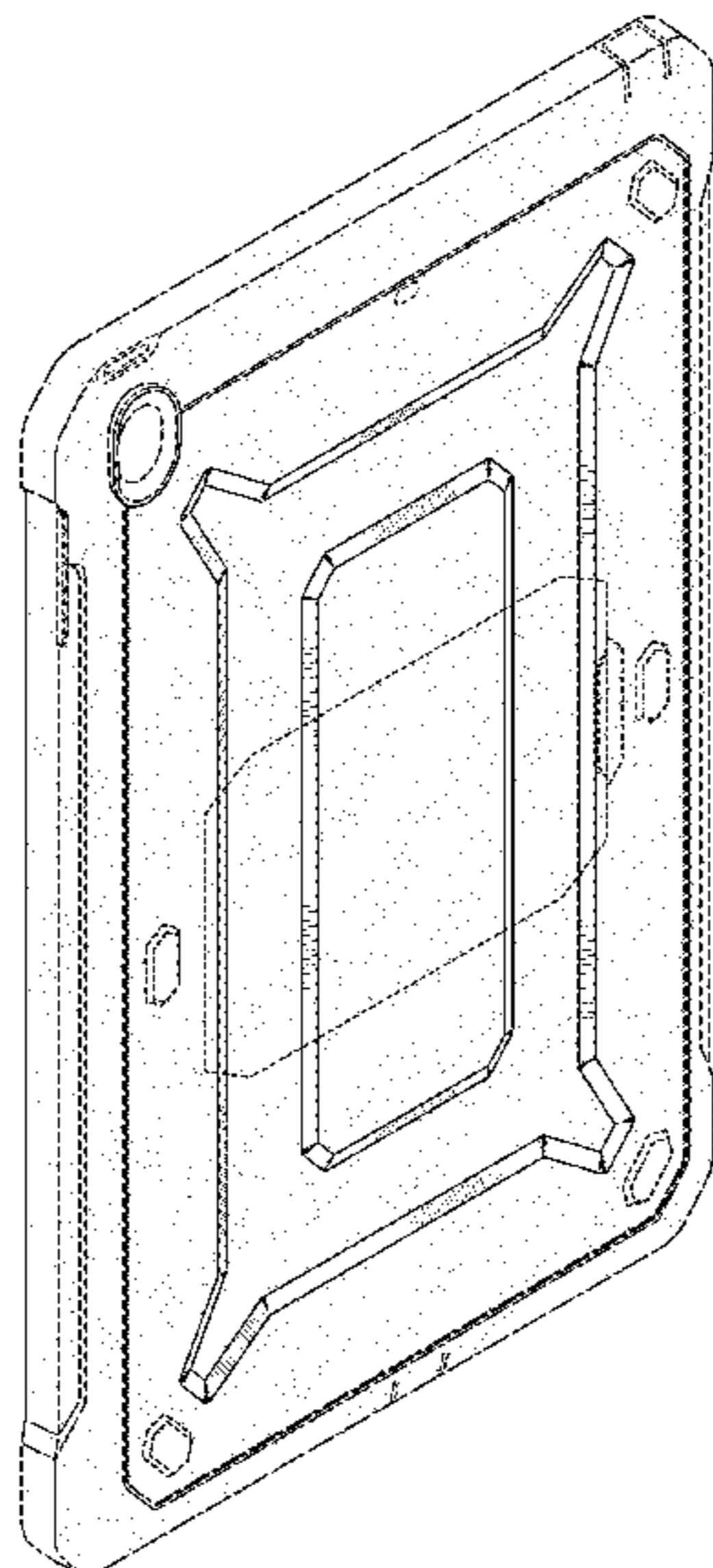
(57) **CLAIM**

The ornamental design for a protective case for mobile device, as shown and described.

DESCRIPTION

FIG. 1 is an isometric view of my new design for a cell phone case;
 FIG. 2 is a rear elevation view thereof;
 FIG. 3 is a front elevation view thereof;
 FIG. 4 is a left side elevation view thereof;
 FIG. 5 is a right side elevation view thereof;
 FIG. 6 is a top plan view thereof;
 FIG. 7 is a bottom plan view thereof;
 FIG. 8 is a planar section view taken along lines 8-8 in FIG. 2;
 FIG. 9 is a planar section view taken along lines 9-9 in FIG. 2;
 FIG. 10 is a planar section view taken along lines 10-10 in FIG. 3; and,
 FIG. 11 is a planar section view taken along lines 11-11 in FIG. 3.
 Dashed broken lines indicate environmental structure and form no part of the claimed design.

1 Claim, 7 Drawing Sheets



(56)

References Cited

U.S. PATENT DOCUMENTS

D766,249	S *	9/2016	Veltz	D14/440
D771,030	S *	11/2016	Tussy	D14/250
D784,350	S *	4/2017	Li	D14/440
D794,625	S *	8/2017	Armstrong	D14/250
D797,106	S *	9/2017	Paolizzi	D14/426
D807,369	S *	1/2018	Chen	D14/440
2004/0226973	A1 *	11/2004	Kao	F16M 11/041 224/218
2007/0215512	A1 *	9/2007	Bellissimo	A47G 23/0625 206/557
2009/0219677	A1 *	9/2009	Mori	A45F 3/14 361/679.03
2011/0267748	A1 *	11/2011	Lane	A45F 5/00 361/679.01
2011/0309117	A1 *	12/2011	Roberts	A45F 5/00 224/217
2012/0091312	A1 *	4/2012	Baker	F16M 13/00 248/682
2014/0054910	A1 *	2/2014	Kim	H04B 1/385 294/158
2014/0152034	A1 *	6/2014	Tussy	F16M 13/04 294/142
2015/0009610	A1 *	1/2015	London	G06F 1/163 361/679.03
2015/0068934	A1 *	3/2015	Armstrong	A45C 11/00 206/320
2015/0201743	A1 *	7/2015	Erickson-Davis	A45F 5/00 224/218
2017/0045920	A1 *	2/2017	Armstrong	G06F 1/1669

* cited by examiner

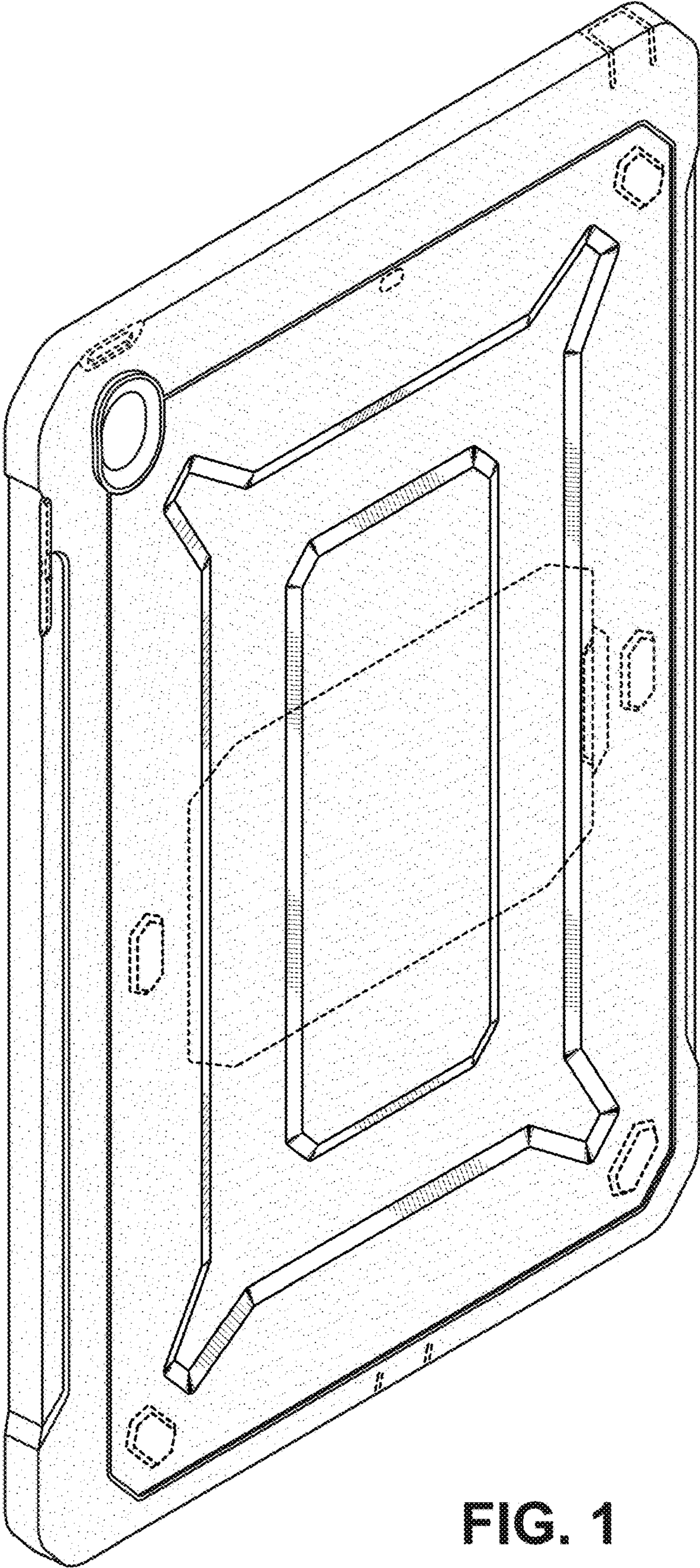


FIG. 1

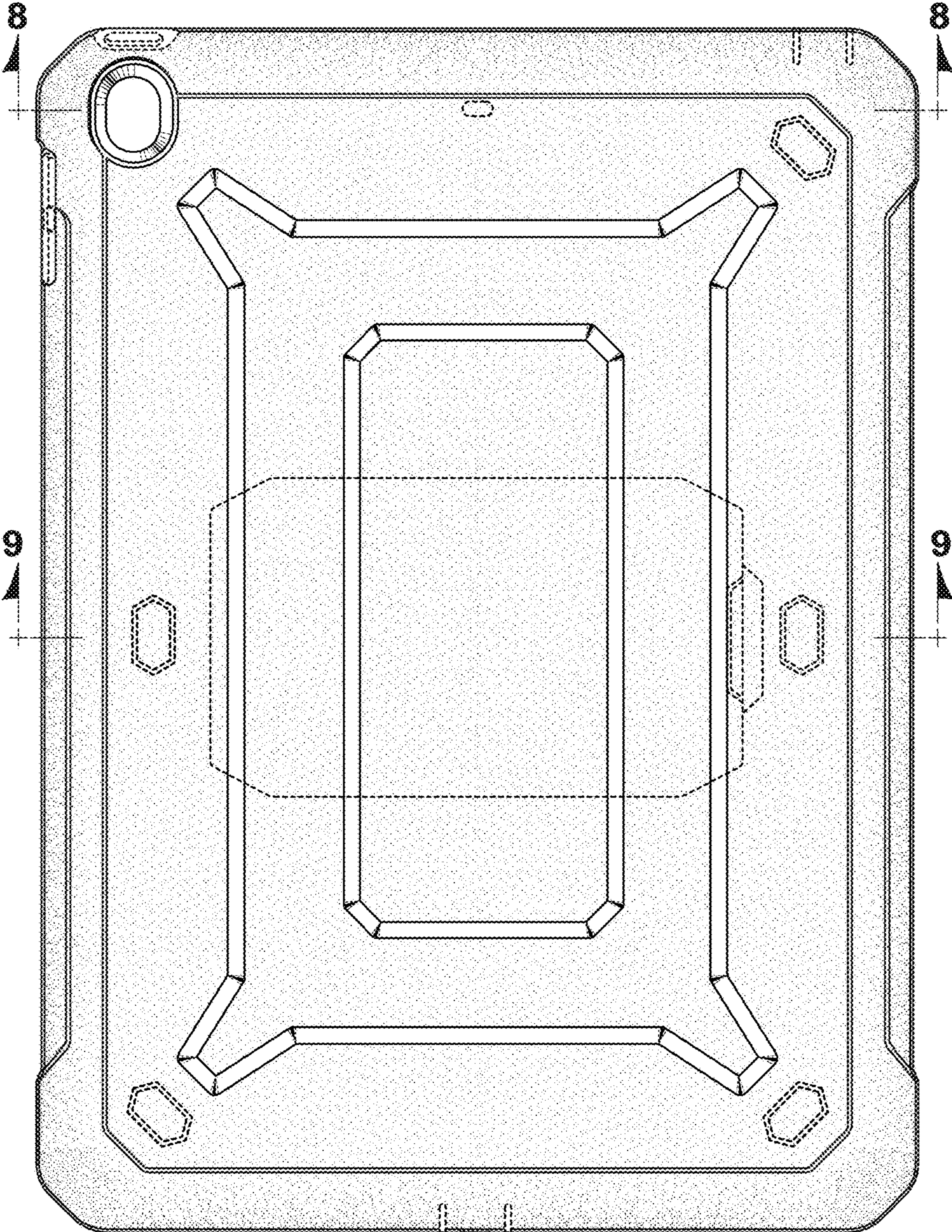


FIG. 2

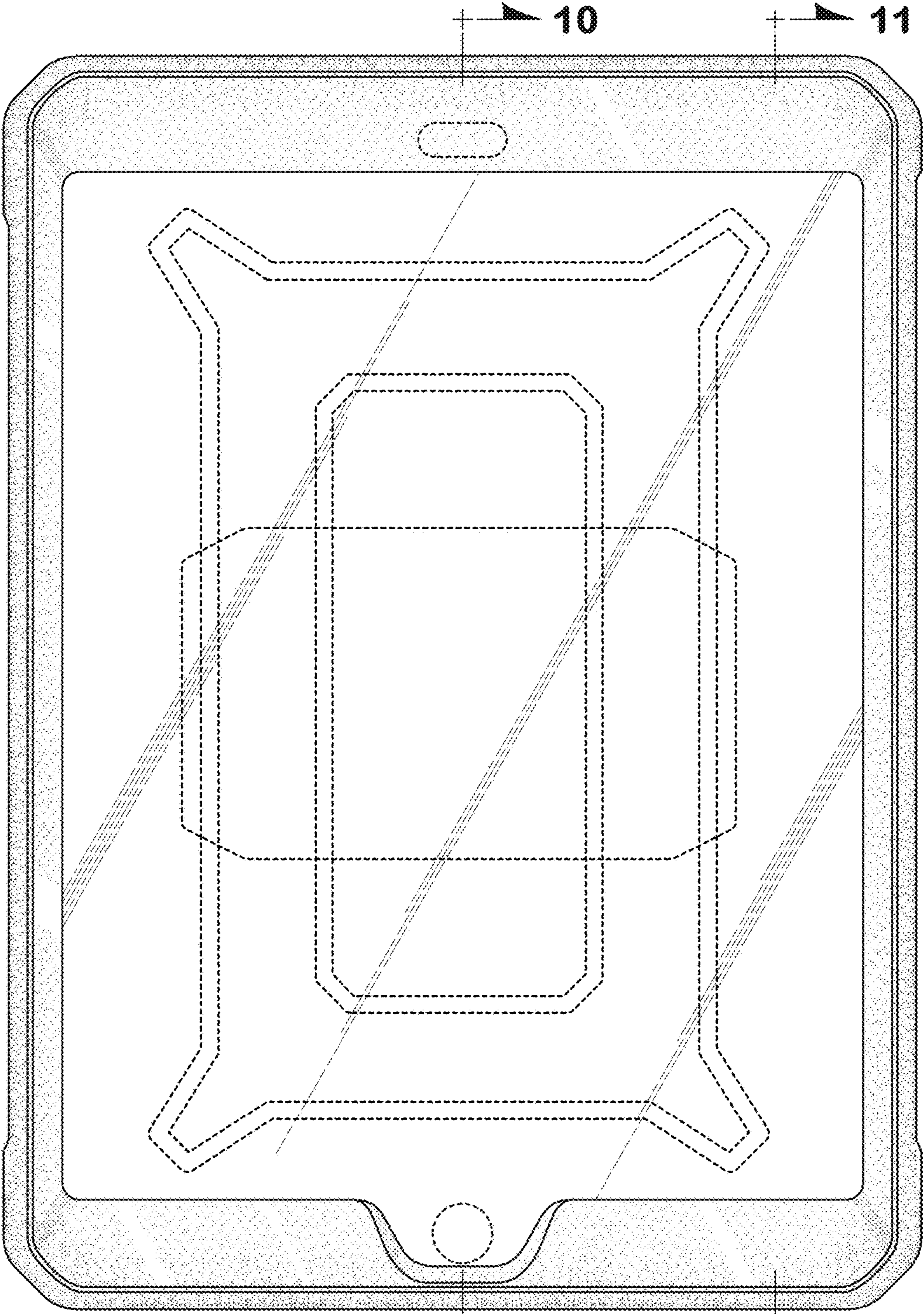


FIG. 3

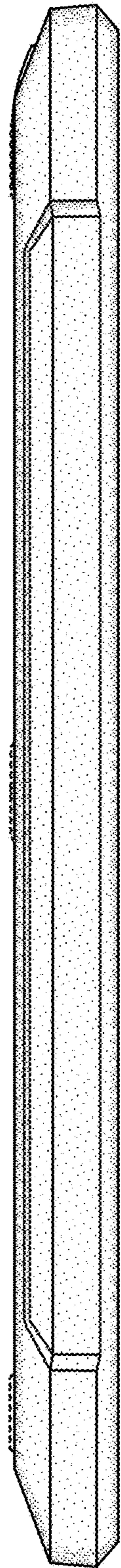


FIG. 4

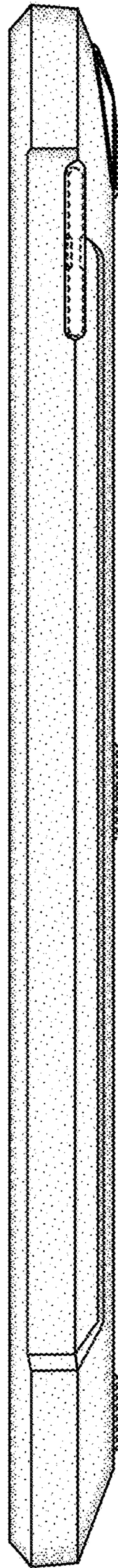


FIG. 5

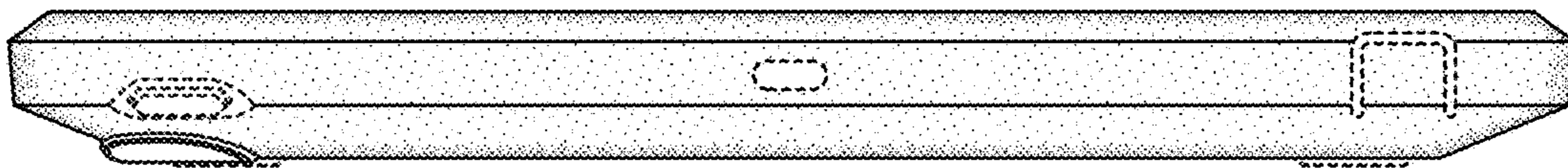


FIG. 6

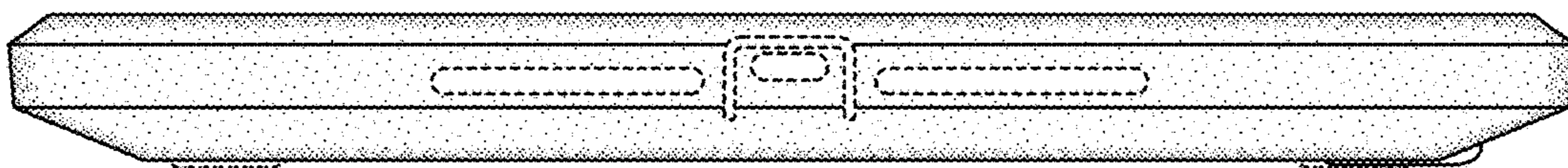


FIG. 7

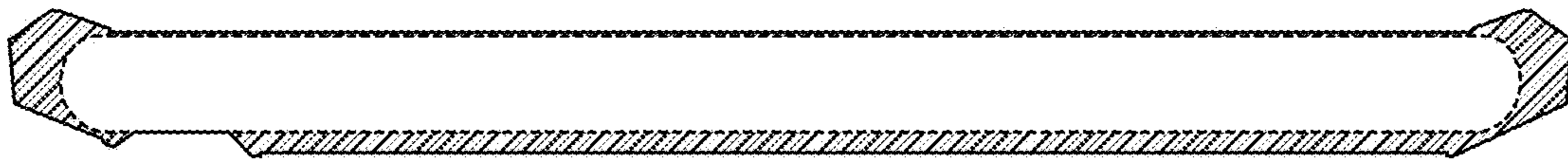


FIG. 8

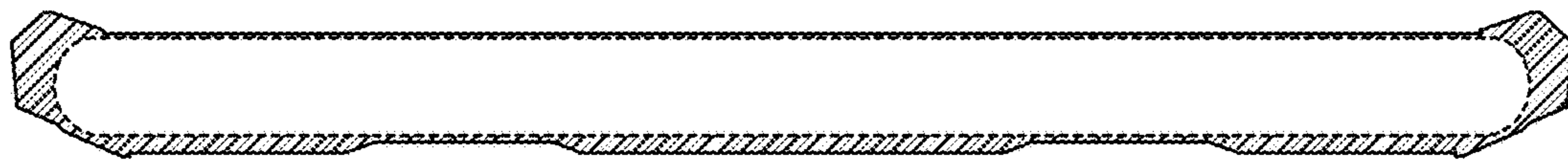


FIG. 9

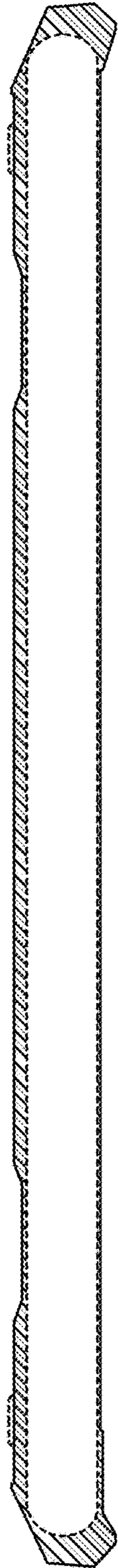


FIG. 10

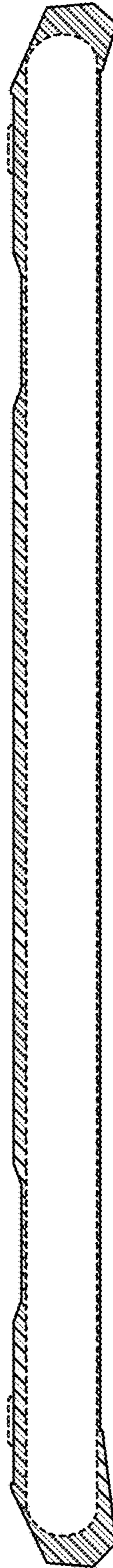


FIG. 11