



US00D854020S

(12) **United States Design Patent**  
**Liao**

(10) **Patent No.:** **US D854,020 S**  
(45) **Date of Patent:** **\*\* Jul. 16, 2019**

(54) **MULTI-PORT TYPE-C DOCKING STATION**

(71) Applicant: **Gopod Group Ltd.**,  
Shenzhen/Guangdong (CN)

(72) Inventor: **Zhuowen Liao**, Shenzhen (CN)

(73) Assignee: **GOPOD GROUP LTD.** (CN)

(\*\*) Term: **15 Years**

(21) Appl. No.: **29/642,172**

(22) Filed: **Mar. 28, 2018**

(51) **LOC (11) Cl.** ..... **14-02**

(52) **U.S. Cl.**  
USPC ..... **D14/434**; D14/357; D14/433

(58) **Field of Classification Search**  
USPC ... D14/434, 433, 435, 435.1, 356, 357, 358,  
D14/440, 447, 251-253, 432, 451, 452,  
D14/454, 140, 142, 149, 217, 240, 299,  
D14/496, 171; D13/103, 107, 108, 118,  
D13/119, 184, 110, 123, 133, 135;  
D21/333

CPC .... G06F 1/1616; G06F 1/1626; G06F 1/1632;  
G06F 1/1688; G06F 13/00; G06F 13/38;  
G06F 13/382; G06F 13/385; G06F  
13/387; G06F 3/023; G06F 3/0658; G06F  
9/541; G06F 2213/40; G06F 2213/4004;  
H01R 31/06; H01R 31/065; H01R 27/00;  
H04R 5/04

See application file for complete search history.

(56) **References Cited**

**U.S. PATENT DOCUMENTS**

- 5,729,478 A \* 3/1998 Ma ..... G06F 1/1632  
361/679.41
- 6,722,917 B2 \* 4/2004 Huang ..... H01R 13/6658  
439/501
- 6,943,527 B2 \* 9/2005 Liu ..... G06F 1/1632  
320/107
- D513,617 S \* 1/2006 Tierney ..... D14/496

- D648,270 S \* 11/2011 Jiang ..... D13/103
- 8,512,079 B2 \* 8/2013 Vroom ..... H01R 13/512  
361/679.45
- D692,024 S \* 10/2013 Seong ..... D14/496
- D693,798 S \* 11/2013 Chuang ..... D14/240
- D705,719 S \* 5/2014 Wong ..... D13/103
- D708,166 S \* 7/2014 Lim ..... D14/209.1
- D709,892 S \* 7/2014 Lui ..... D14/433
- D715,797 S \* 10/2014 Hiraga ..... D14/356
- D720,687 S \* 1/2015 Hasbrook ..... D13/103
- D726,665 S \* 4/2015 Park ..... D14/125

(Continued)

**OTHER PUBLICATIONS**

USB Hubs. (Design -©Questel) orbit.com.[online PDF] 71 pgs.  
Print Dates Range Dec. 29, 2015to Sep. 11, 2018. [Retrieved on  
Mar. 1, 2019] <https://sobjprd.questel.fr/export/QPTUJ214/pdf2/c7afd75c-bc57-4df4-8d1b-dd8e752c0c2a-174947.pdf>.\*

*Primary Examiner* — Marie D. Fast Horse  
(74) *Attorney, Agent, or Firm* — RC Patent Services

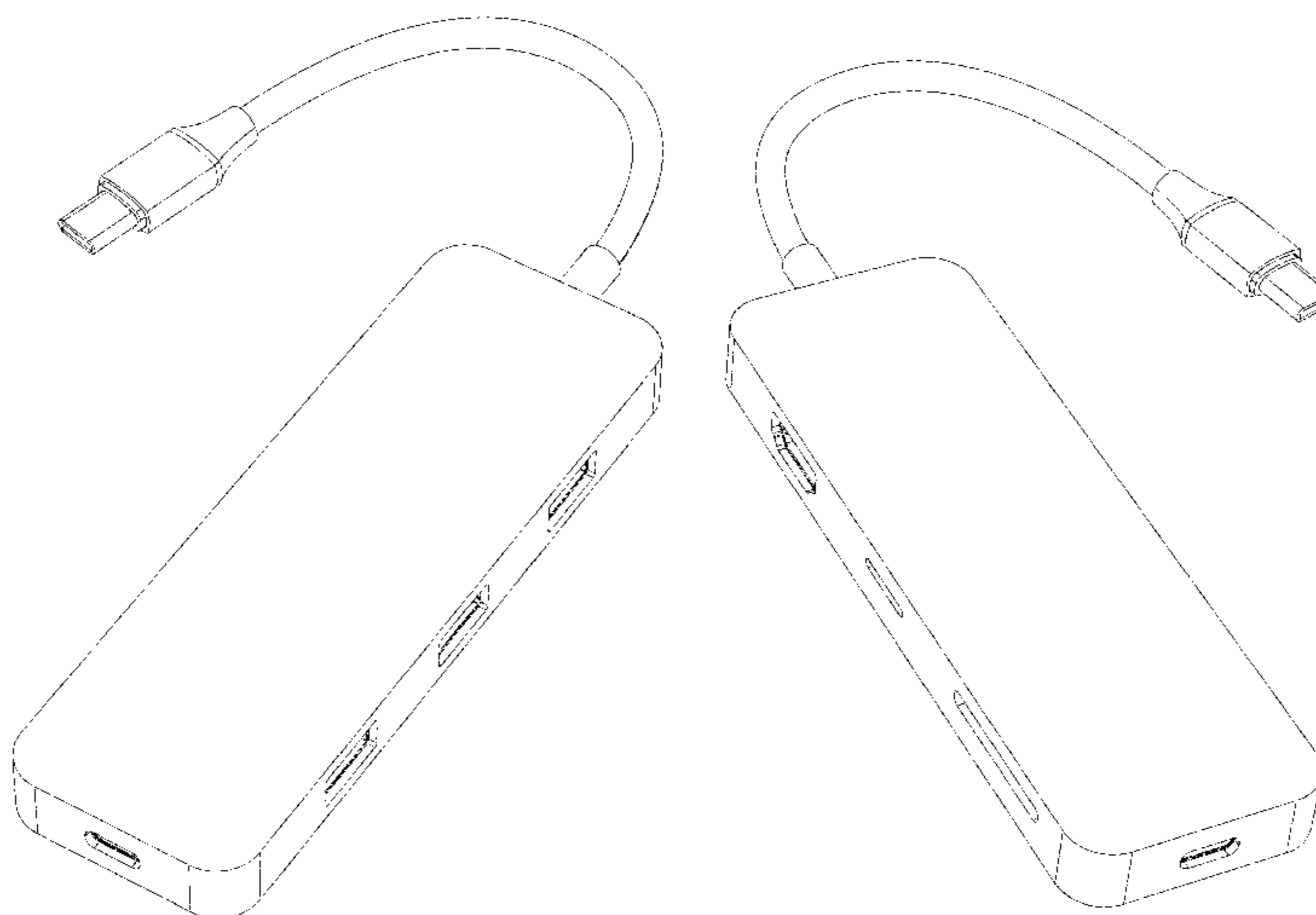
(57) **CLAIM**

The ornamental design for a multi-port type-C docking station, as shown and described.

**DESCRIPTION**

FIG. 1 is a top view of a multi-port type-C docking station showing my new design;  
FIG. 2 is a left side view thereof;  
FIG. 3 is a bottom view thereof;  
FIG. 4 is a right side view thereof;  
FIG. 5 is a front view thereof;  
FIG. 6 is a rear view thereof;  
FIG. 7 is a top, front, left side perspective view thereof, shown with the cord in an alternate position for use; and,  
FIG. 8 is a top, front, right side perspective view thereof.  
The broken lines in the drawings depict parts of the multi-port type-C docking station that form no part of the claimed design.

**1 Claim, 8 Drawing Sheets**



(56)

**References Cited**

U.S. PATENT DOCUMENTS

D728,467	S *	5/2015	Hasbrook	.....	D13/103
D733,043	S *	6/2015	Hasbrook	.....	D13/108
D747,316	S *	1/2016	Mathews	.....	D14/432
D750,083	S *	2/2016	Chow	.....	D14/434
D782,476	S *	3/2017	Yamazaki	.....	D14/358
D788,112	S *	5/2017	Liao	.....	D14/433
D794,028	S *	8/2017	Lin	.....	D14/433
D798,301	S *	9/2017	Kujawski	.....	D14/433
D798,811	S *	10/2017	Liao	.....	D13/110
D803,833	S *	11/2017	He	.....	D14/385
D807,290	S *	1/2018	Liao	.....	D13/110
D813,875	S *	3/2018	Liao	.....	D14/434
D826,942	S *	8/2018	Lu	.....	D14/433
D828,354	S *	9/2018	Chuang	.....	D14/433
D828,355	S *	9/2018	Xie	.....	D14/433
D828,356	S *	9/2018	Xie	.....	D14/433
D828,363	S *	9/2018	Turksu	.....	D14/480.5
D828,839	S *	9/2018	Zhang	.....	D14/433
D828,840	S *	9/2018	Zhang	.....	D14/433
D828,841	S *	9/2018	Zhang	.....	D14/433
D830,366	S *	10/2018	Turksu	.....	D14/433
D833,444	S *	11/2018	Chan	.....	D14/433
D838,241	S *	1/2019	Xie	.....	D14/434
D838,669	S *	1/2019	Miller	.....	D13/108
D839,876	S *	2/2019	Turksu	.....	D14/433
2003/0216069	A1 *	11/2003	Huang	.....	G06F 1/266 439/105
2006/0085584	A1 *	4/2006	Chen	.....	G06F 1/1632 710/303

\* cited by examiner

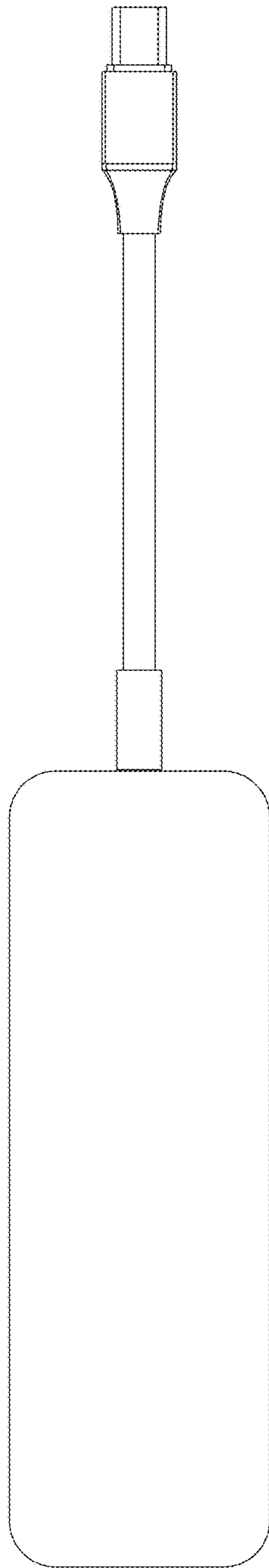


FIG. 1

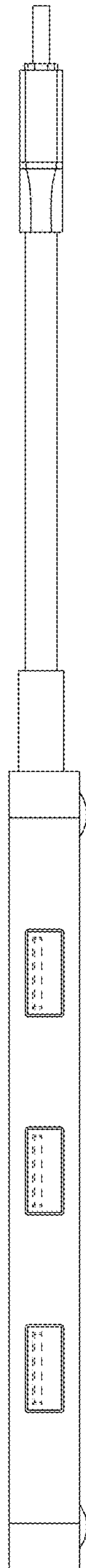


FIG. 2

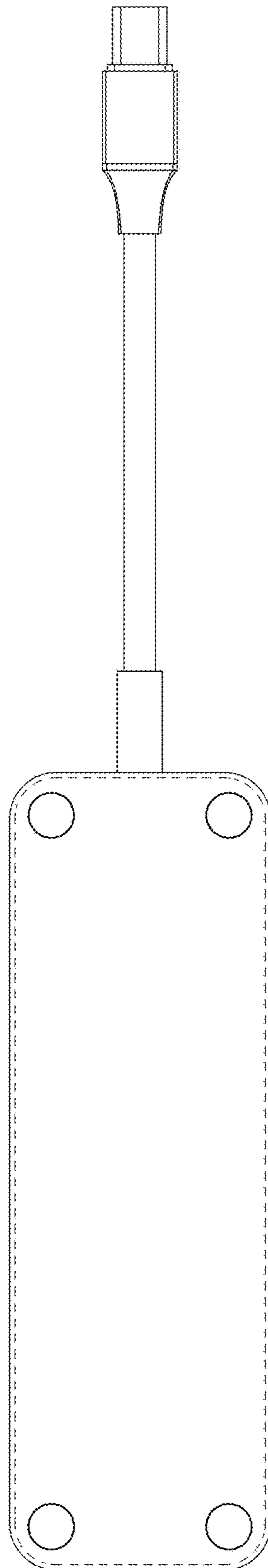


FIG. 3

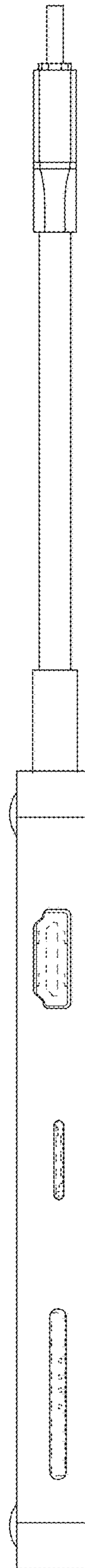


FIG. 4

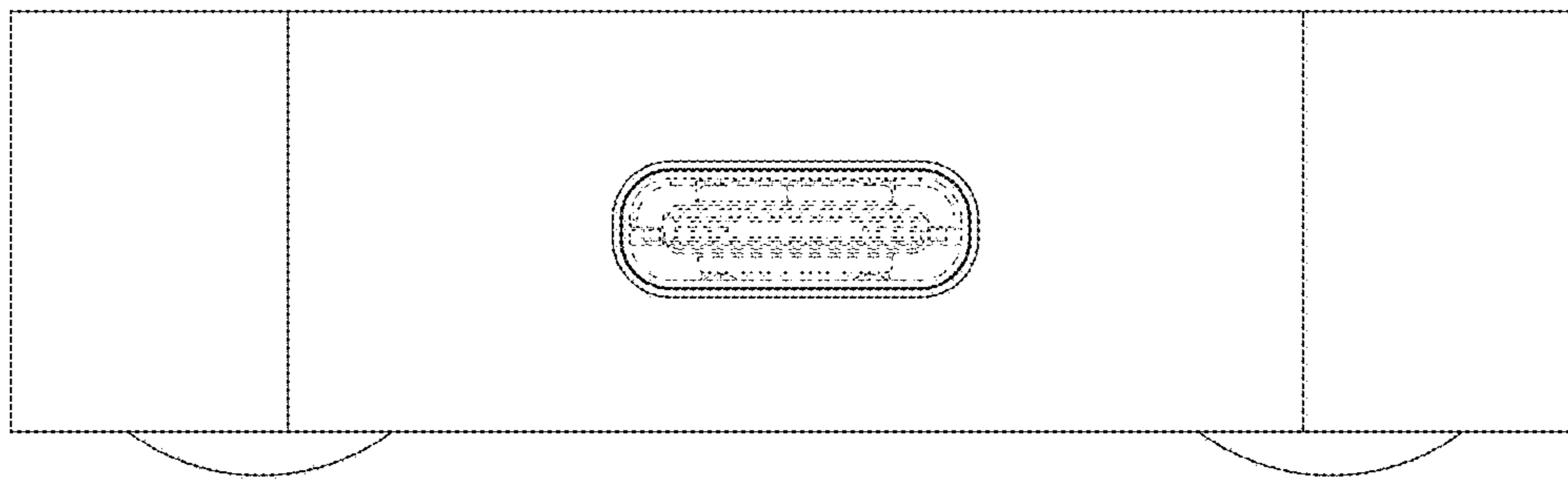


FIG. 5

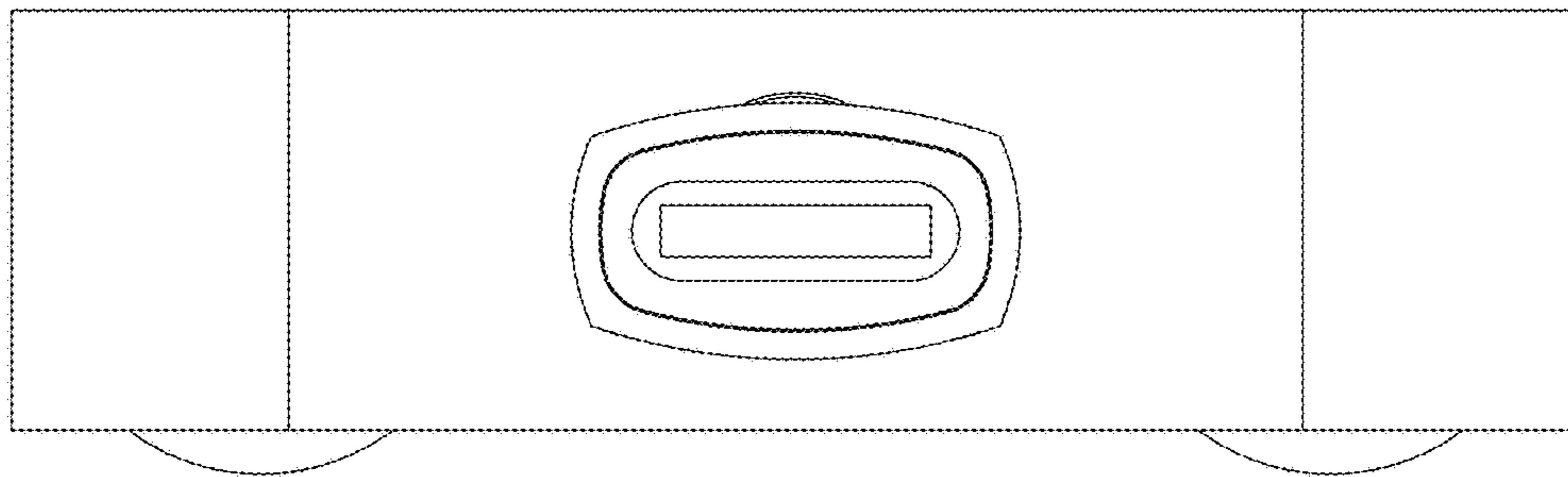


FIG. 6



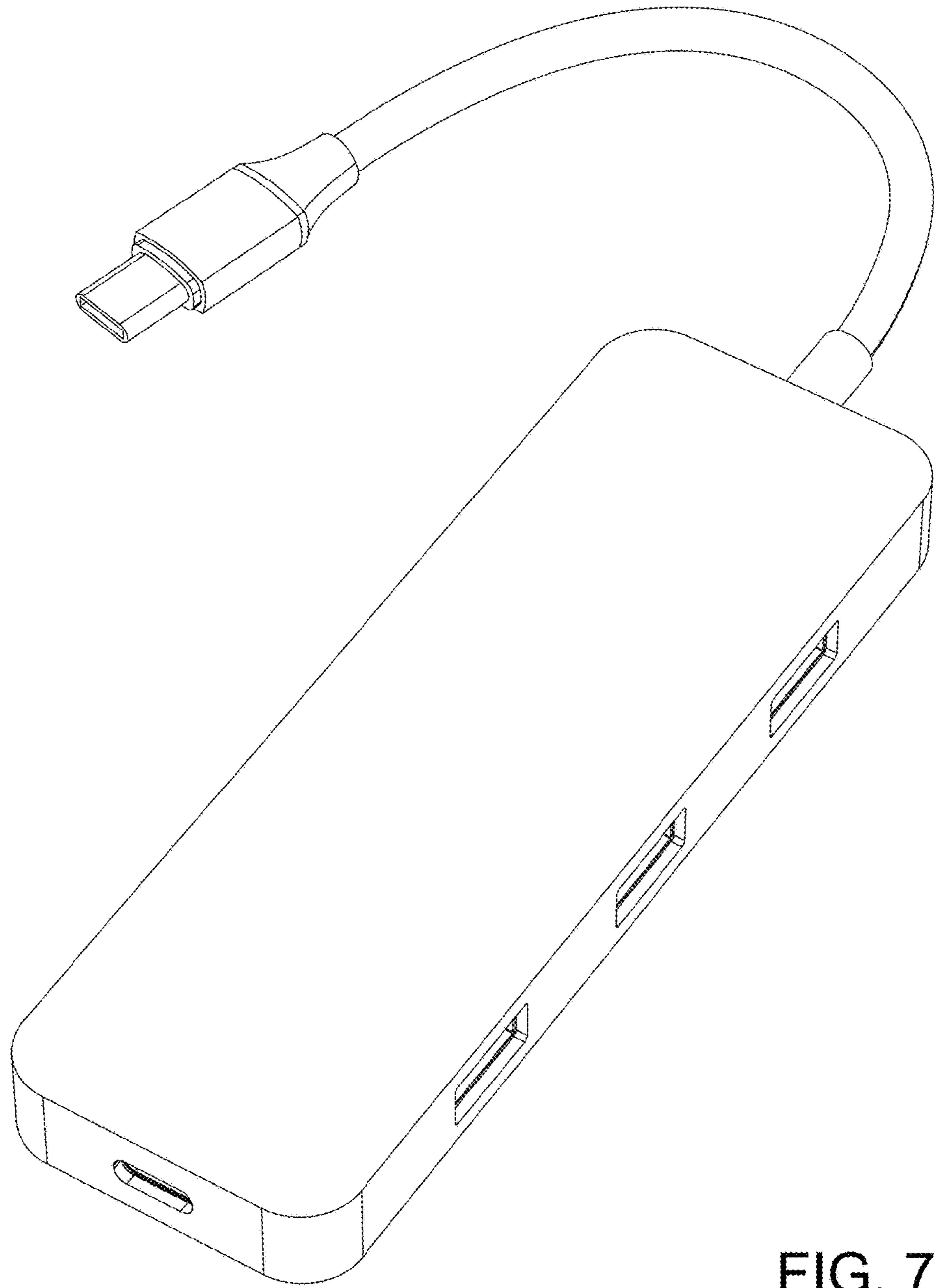


FIG. 7

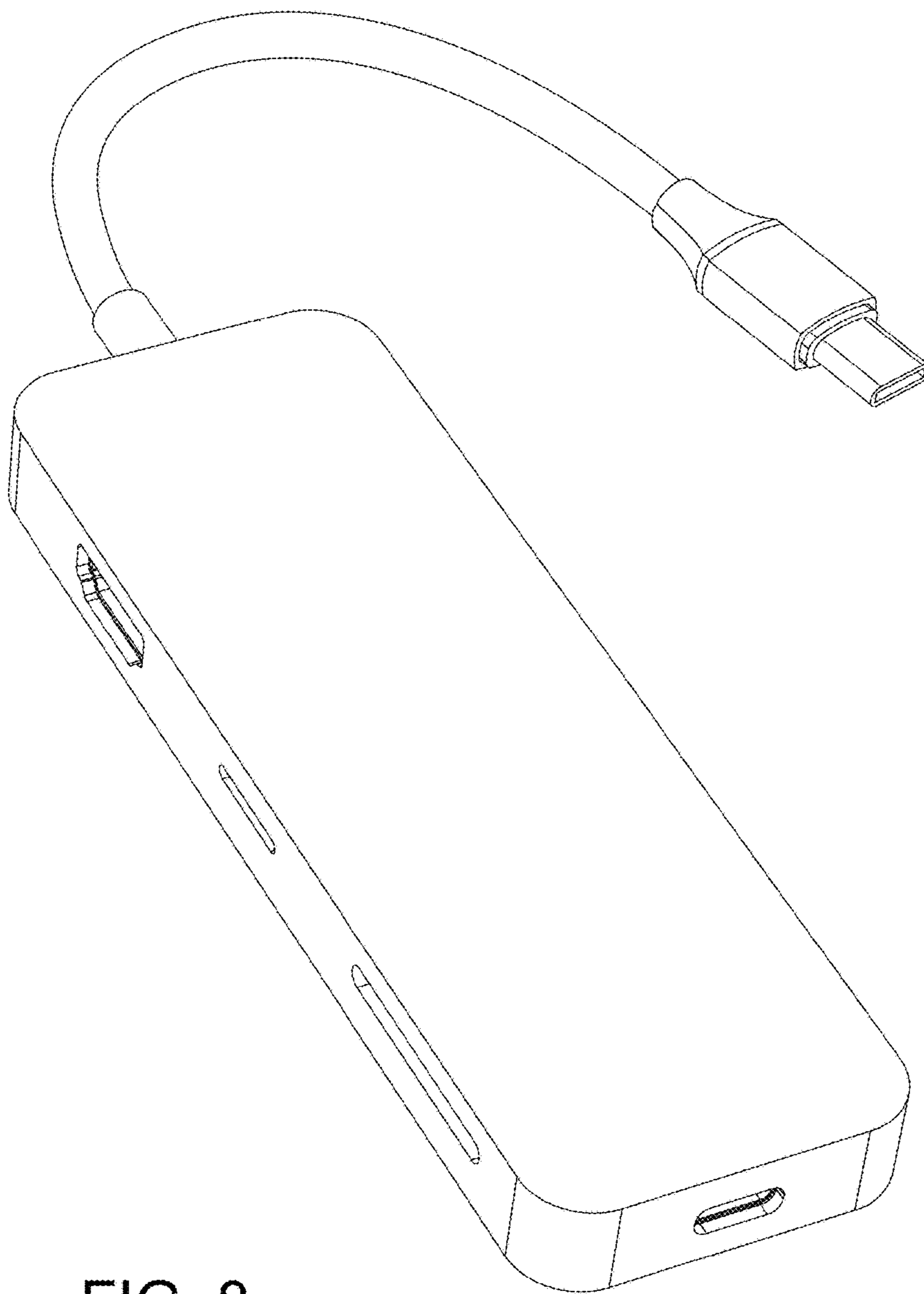


FIG. 8