



US00D854019S

(12) **United States Design Patent** (10) **Patent No.:** **US D854,019 S**
Liao (45) **Date of Patent:** **** Jul. 16, 2019**

(54) **MULTI-PORT DOCKING STATION**

(71) Applicant: **Gopod Group Ltd.**,
Shenzhen/Guangdong (CN)

(72) Inventor: **Zhuowen Liao**, Shenzhen (CN)

(73) Assignee: **GOPOD GROUP LTD.** (CN)

(**) Term: **15 Years**

(21) Appl. No.: **29/641,394**

(22) Filed: **Mar. 22, 2018**

(51) **LOC (11) Cl.** **14-02**

(52) **U.S. Cl.**
USPC **D14/434**; D14/357; D14/433

(58) **Field of Classification Search**
USPC ... D14/434, 433, 435, 435.1, 356, 357, 358,
D14/440, 447, 251-253, 432, 451, 452,
D14/454, 140, 142, 149, 217, 240, 299,
D14/496, 171; D13/103, 107, 108, 118,
D13/119, 184, 110, 123, 133, 135;
D21/333

CPC G06F 1/1616; G06F 1/1626; G06F 1/1632;
G06F 1/1688; G06F 13/00; G06F 13/38;
G06F 13/382; G06F 13/385; G06F
13/387; G06F 3/023; G06F 3/0658; G06F
9/541; G06F 2213/40; G06F 2213/4004;
H01R 31/06; H01R 31/065; H01R 27/00;
H04R 5/04

See application file for complete search history.

(56) **References Cited**

U.S. PATENT DOCUMENTS

D362,241 S * 9/1995 Youens D14/434
5,729,478 A * 3/1998 Ma G06F 1/1632
361/679.41
D405,064 S * 2/1999 Iino D14/434
D471,558 S * 3/2003 Wada D14/434
D507,261 S * 7/2005 Griffin D14/226

6,943,527 B2 * 9/2005 Liu G06F 1/1632
320/107
D515,545 S * 2/2006 Griffin D14/155
D531,619 S * 11/2006 Chau D14/217
D531,991 S * 11/2006 Chau D14/217
D534,896 S * 1/2007 Lin D14/188
D537,807 S * 3/2007 Griffin D14/155
D550,196 S * 9/2007 Griffin D14/155
D555,631 S * 11/2007 Hussaini D14/155
D560,166 S * 1/2008 Andre D13/133
D574,365 S * 8/2008 Andre D14/217
D577,008 S * 9/2008 Andre D13/133

(Continued)

OTHER PUBLICATIONS

Multi-port Converters_Docks_Adapters . (Design—© Questel) orbit.
com.[online PDF] 23 pgs. Print Dates Range Sep. 26, 2017 to Jul.
24, 2018. [Retrieved on Feb. 27, 2019] <https://sobjprd.questel.fr/export/QPTUJ214/pdf2/240ba57d-0c26-45ec-be4a-1b82591e6828-162737.pdf>.*

Primary Examiner — Marie D. Fast Horse
(74) *Attorney, Agent, or Firm* — RC Patent Services

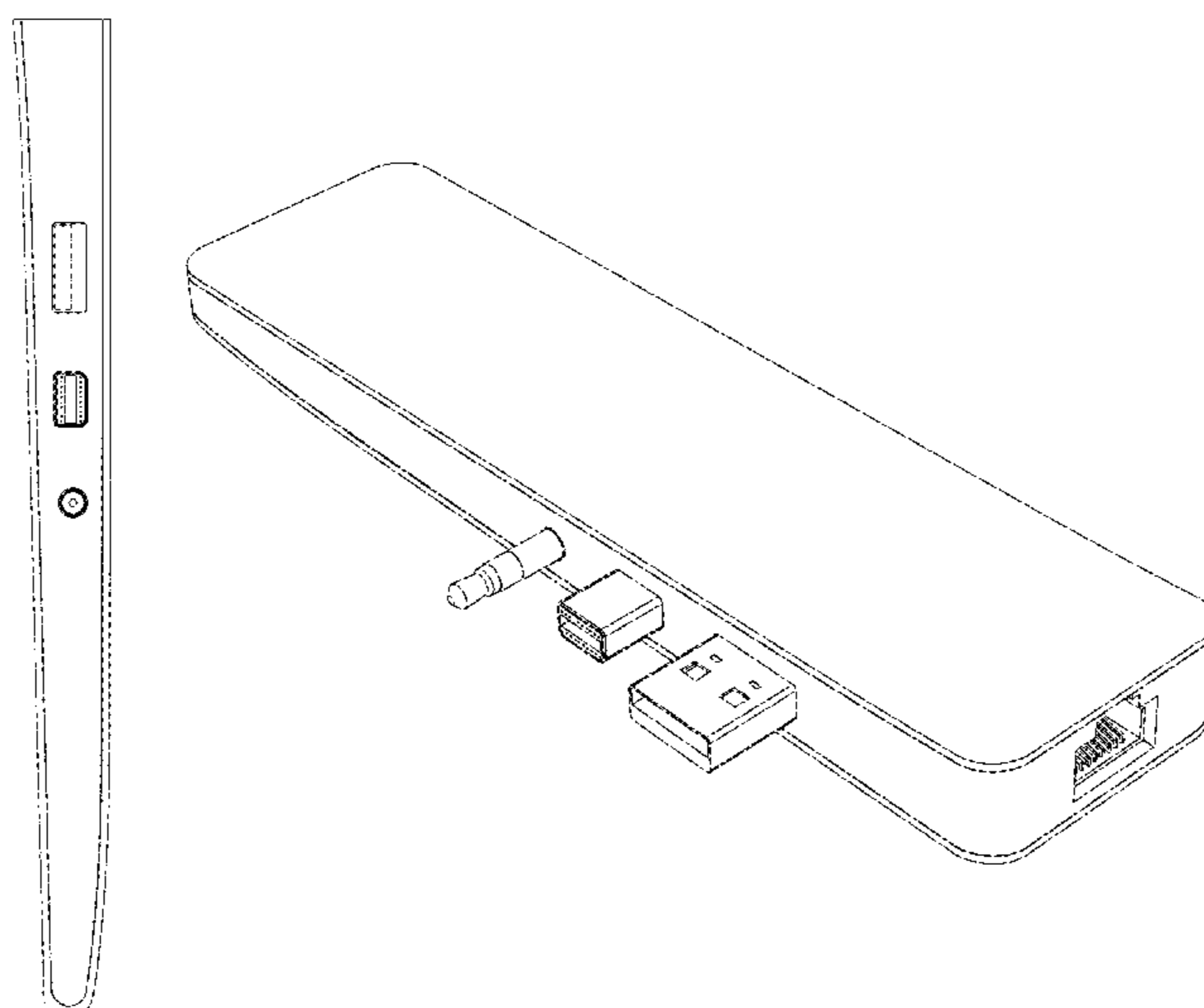
(57) **CLAIM**

The ornamental design for a multi-port docking station, as shown and described.

DESCRIPTION

FIG. 1 is a top view of a multi-port docking station showing my new design;
FIG. 2 is a left side view thereof;
FIG. 3 is a right side view thereof;
FIG. 4 is a bottom view thereof;
FIG. 5 is a front view thereof;
FIG. 6 is a rear view thereof;
FIG. 7 is a top, front, right side perspective view thereof; and,
FIG. 8 is a top, rear, left side perspective view thereof.
The broken lines in the drawings depict parts of the multi-port docking station that form no part of the claimed design.

1 Claim, 8 Drawing Sheets



(56)

References Cited

U.S. PATENT DOCUMENTS

D583,820 S * 12/2008 O'Shea D14/434
D597,077 S * 7/2009 Brandenburg D14/217
D619,127 S * 7/2010 Tong D13/133
D619,570 S * 7/2010 Tong D13/133
D683,765 S * 6/2013 Ahn D14/203.3
8,512,079 B2 * 8/2013 Vroom H01R 13/512
361/679.45
D689,858 S * 9/2013 Lo D14/357
D692,024 S * 10/2013 Seong D14/496
D709,892 S * 7/2014 Lui D14/433
D788,112 S * 5/2017 Liao D14/433
D798,811 S * 10/2017 Liao D13/110
D800,651 S * 10/2017 Voller D13/103
D800,730 S * 10/2017 Liao D14/433
D807,290 S * 1/2018 Liao D13/110
9,900,420 B2 * 2/2018 DeCamp H02J 7/0044
D813,875 S * 3/2018 Liao D14/434
D830,366 S * 10/2018 Turksu D14/433
D838,241 S * 1/2019 Xie D14/434
D839,876 S * 2/2019 Turksu D14/435.1
2003/0216069 A1 * 11/2003 Huang G06F 1/266
439/105
2006/0085584 A1 * 4/2006 Chen G06F 1/1632
710/303
2007/0070598 A1 * 3/2007 Chuang G06F 1/1632
361/679.43
2009/0197474 A1 * 8/2009 Wei H01R 31/065
439/669

* cited by examiner

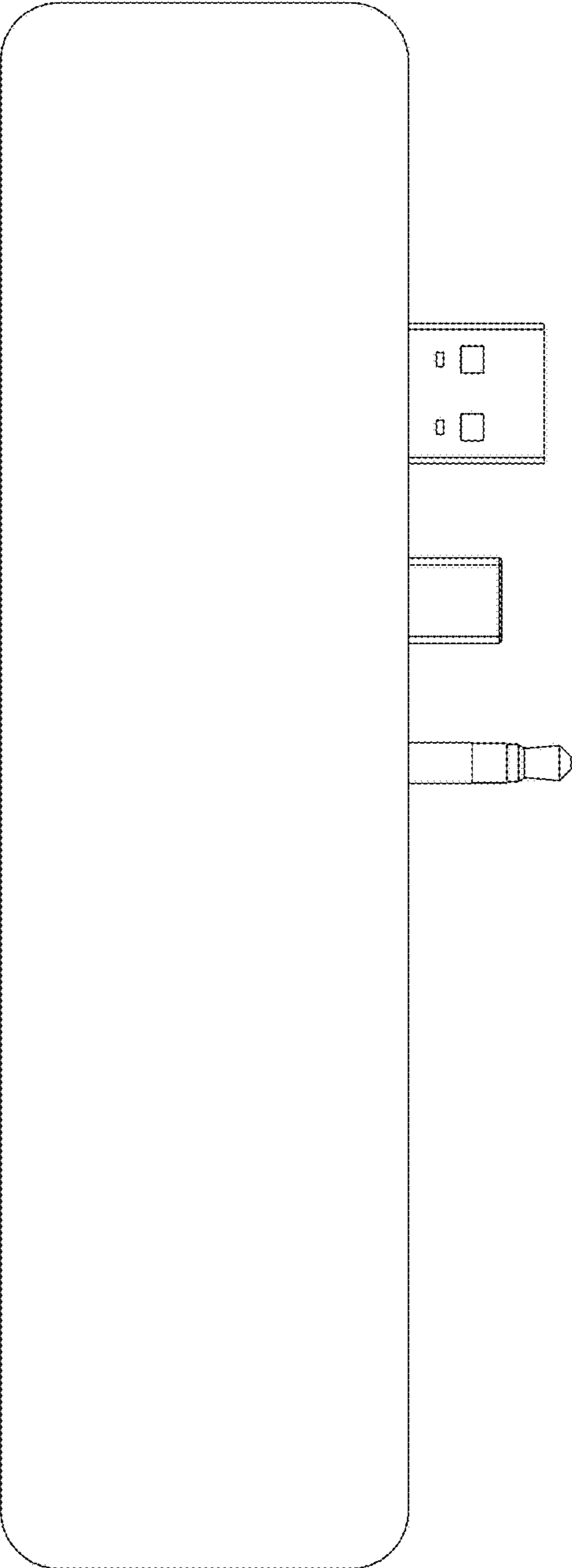


FIG. 1

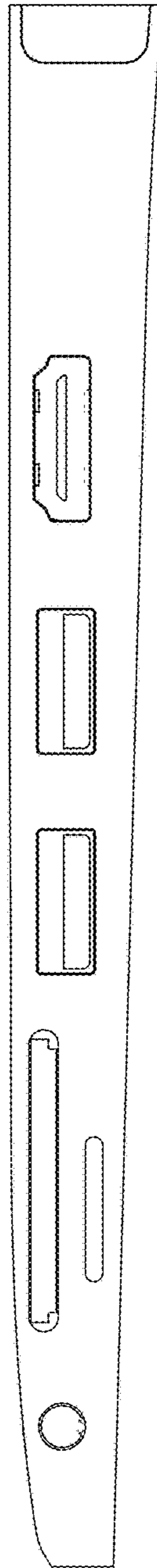


FIG. 2

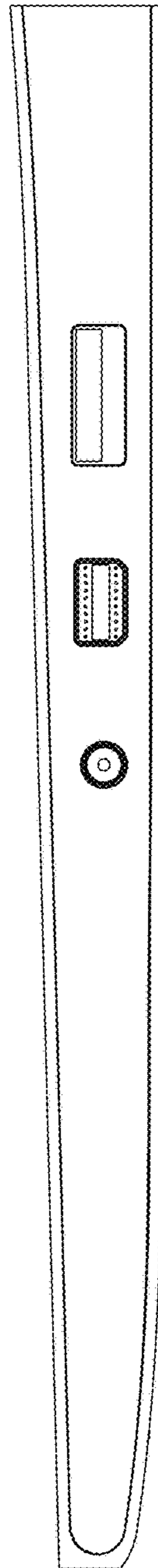


FIG. 3

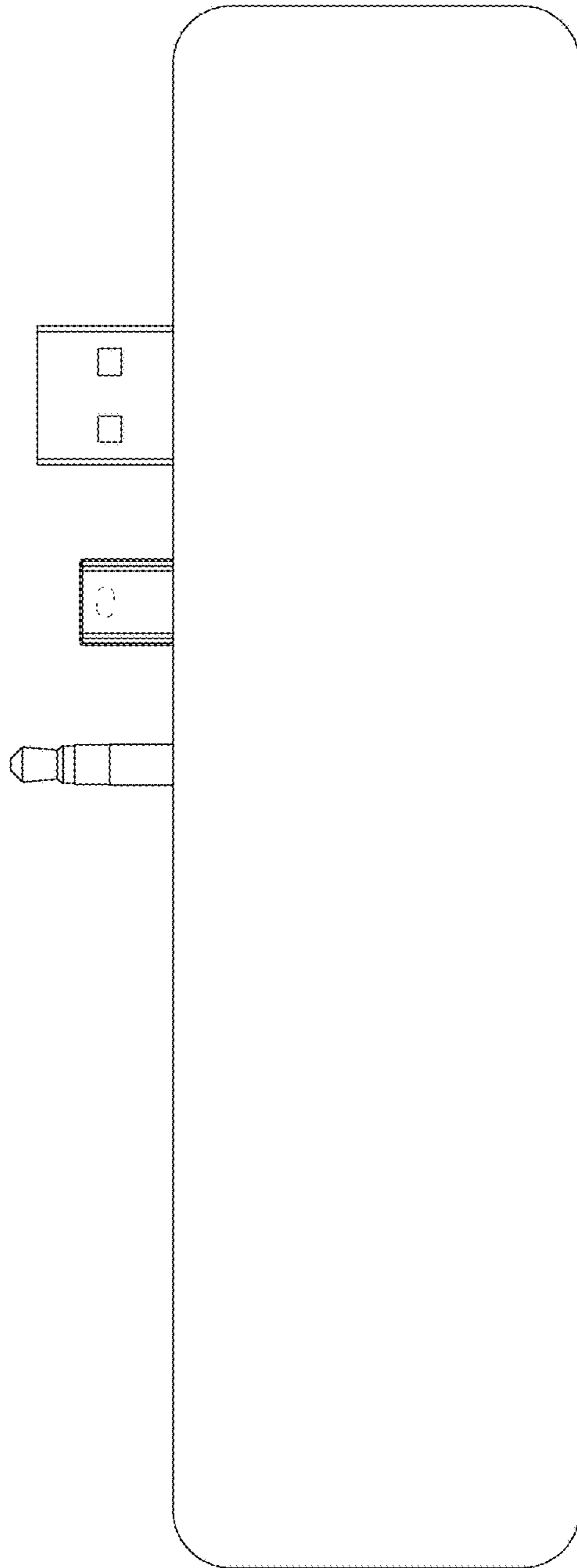


FIG. 4

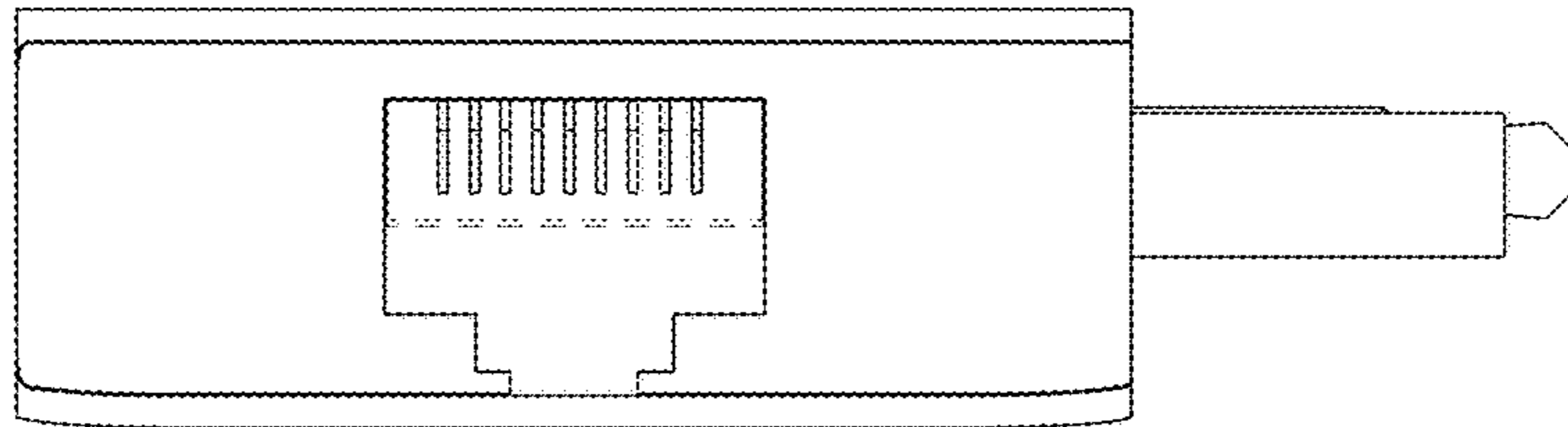


FIG. 5

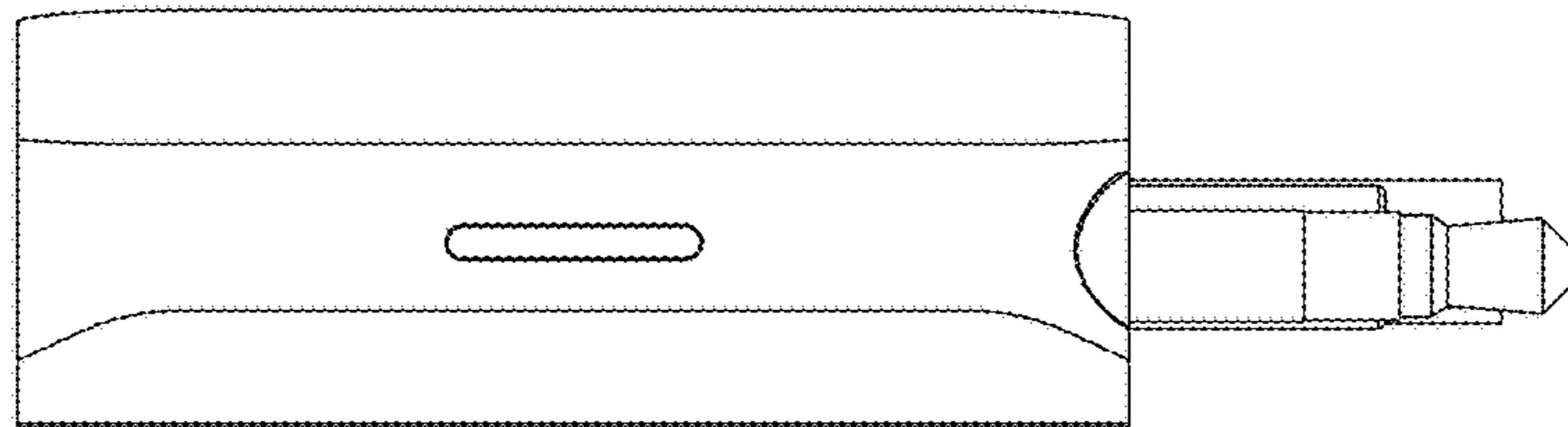


FIG. 6

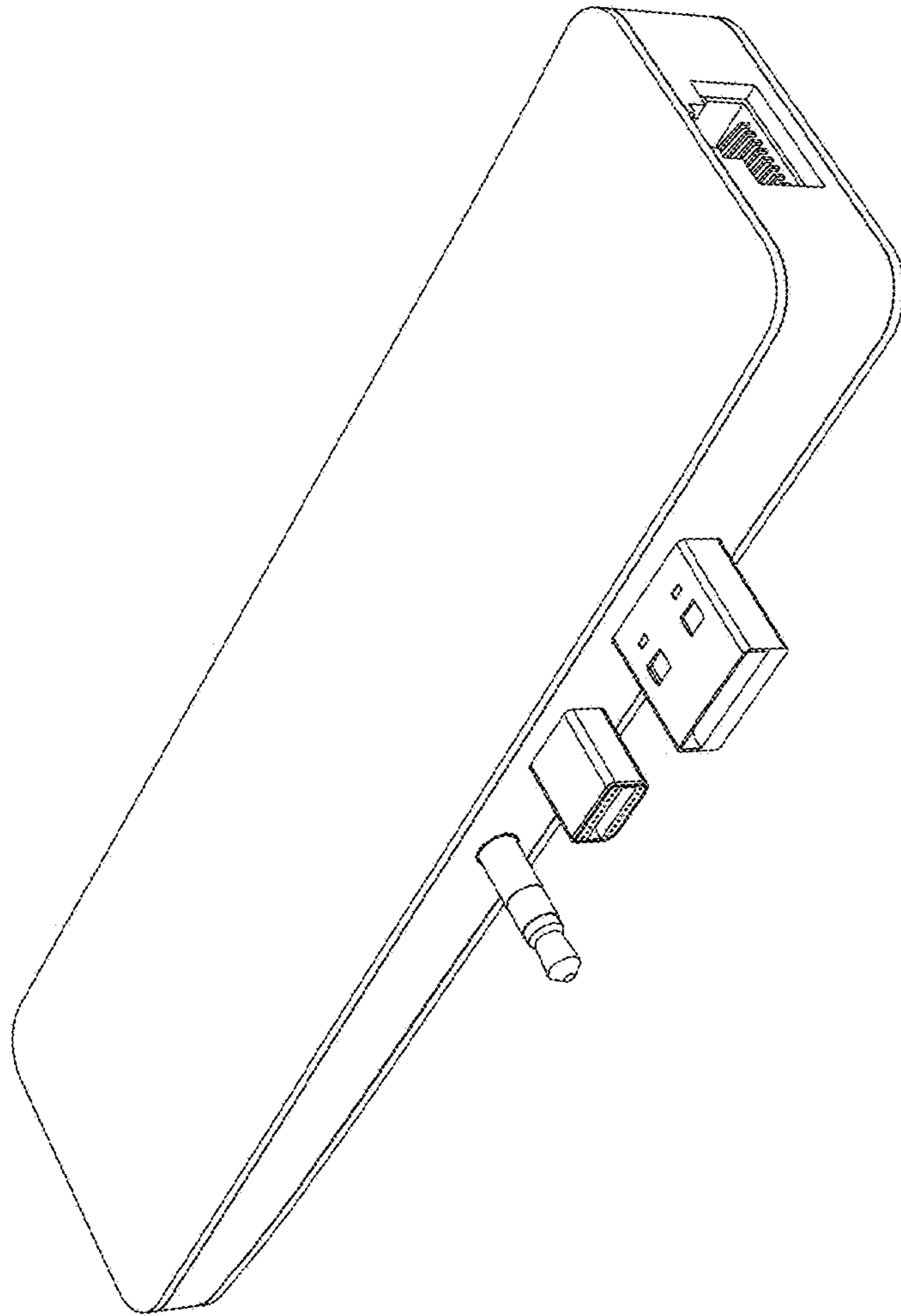


FIG. 7

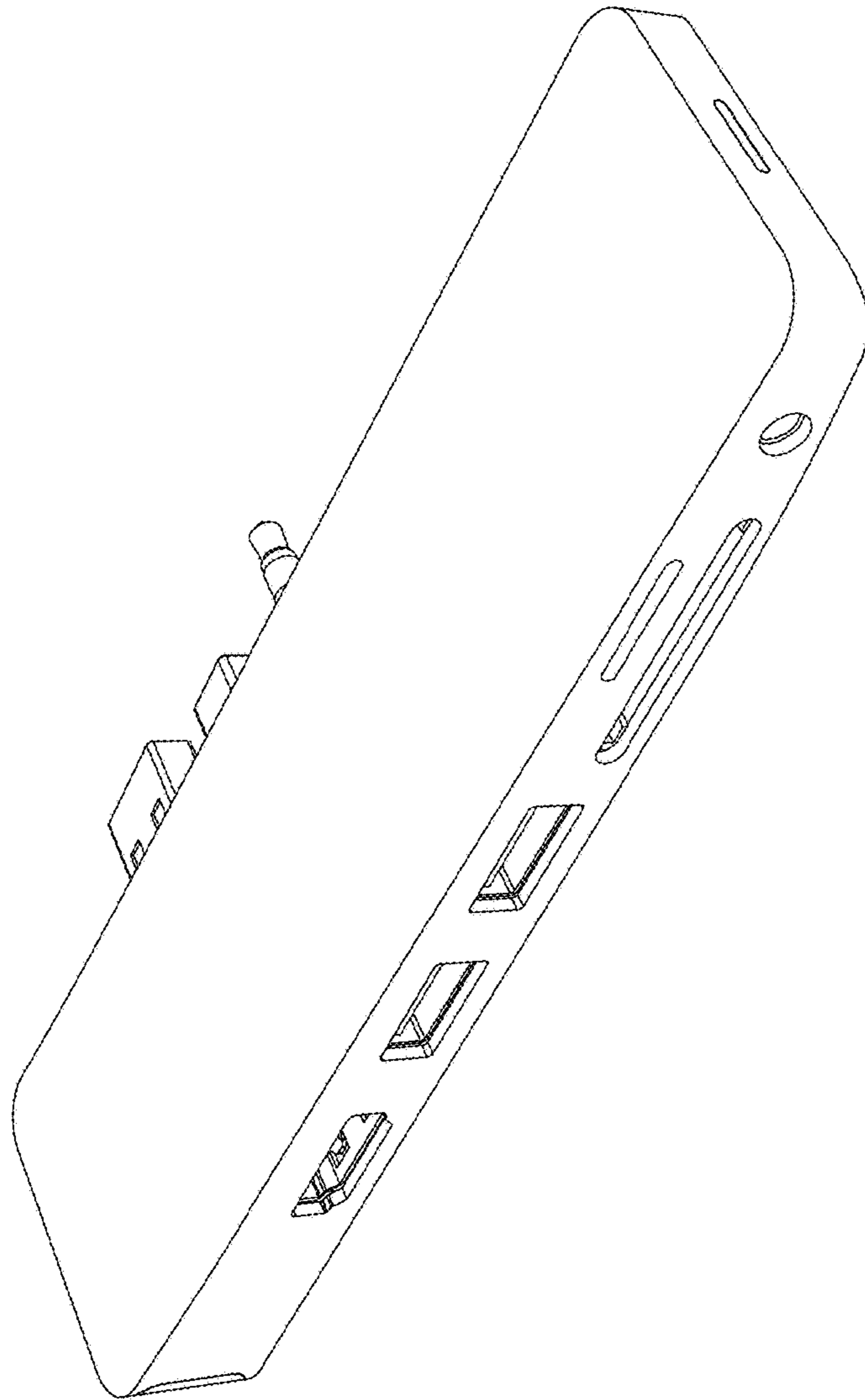


FIG. 8