



US00D854018S

(12) **United States Design Patent** (10) **Patent No.:** **US D854,018 S**  
**Liao** (45) **Date of Patent:** **\*\* Jul. 16, 2019**

(54) **SMART DOCKING STATION**  
(71) Applicant: **Gopod Group Ltd.**,  
Shenzhen/Guangdong (CN)  
(72) Inventor: **Zhuowen Liao**, Shenzhen (CN)  
(73) Assignee: **GOPOD GROUP LTD.** (CN)  
(\*\*) Term: **15 Years**  
(21) Appl. No.: **29/638,334**  
(22) Filed: **Feb. 27, 2018**  
(51) **LOC (11) Cl.** ..... **14-02**  
(52) **U.S. Cl.**  
USPC ..... **D14/434**; D14/433  
(58) **Field of Classification Search**  
USPC ... D14/434, 433, 435, 435.1, 356, 357, 358,  
D14/440, 447, 251-253, 432, 451, 452,  
D14/454, 140, 142, 149, 217, 240, 299,  
D14/496, 171; D13/103, 107, 108, 118,  
D13/119, 184, 110, 123, 133, 135;  
D21/333  
CPC .... G06F 1/1616; G06F 1/1626; G06F 1/1632;  
G06F 1/1688; G06F 13/00; G06F 13/38;  
G06F 13/382; G06F 13/385; G06F  
13/387; G06F 3/023; G06F 3/0658; G06F  
9/541; G06F 2213/40; G06F 2213/4004;  
H01R 31/06; H01R 31/065; H01R 27/00;  
H04R 5/04  
See application file for complete search history.

(56) **References Cited**  
U.S. PATENT DOCUMENTS  
D472,555 S \* 4/2003 Tomino ..... D13/133  
D558,739 S \* 1/2008 Andre ..... D14/217  
D614,979 S \* 5/2010 McNames ..... D10/65  
D627,784 S \* 11/2010 Yamamoto ..... D14/433  
D634,704 S \* 3/2011 Tieleman ..... D13/102  
D648,270 S \* 11/2011 Jiang ..... D13/108  
D648,689 S \* 11/2011 Mehlsen ..... D14/125

D648,707 S \* 11/2011 Akana ..... D14/217  
D667,411 S \* 9/2012 Kim ..... D14/434  
D686,595 S \* 7/2013 Andre ..... D14/217  
D715,734 S \* 10/2014 Levy ..... D13/110  
D726,690 S \* 4/2015 Andre ..... D14/217  
D732,472 S \* 6/2015 Laffon ..... D13/110  
D733,043 S \* 6/2015 Hasbrook ..... D13/103  
D738,822 S \* 9/2015 Stewart ..... D13/108  
D739,407 S \* 9/2015 Son ..... D14/434  
D756,915 S \* 5/2016 Yang ..... D13/108  
D756,916 S \* 5/2016 Yang ..... D13/108  
D760,721 S \* 7/2016 Akana ..... D14/434

(Continued)

**OTHER PUBLICATIONS**

USB Hub Adapters. (Design—© Questel) orbit.com.[online PDF]  
32 pgs. Print Dates Range Dec. 19, 2006 to Mar. 27, 2018.  
[Retrieved on Mar. 1, 2019] <https://sobjprd.questel.fr/export/QPTUJ214/pdf2/0f4dc254-8320-4553-be53-3e44eb7e858a-204445.pdf>.\*

*Primary Examiner* — Marie D. Fast Horse  
(74) *Attorney, Agent, or Firm* — RC Patent Services

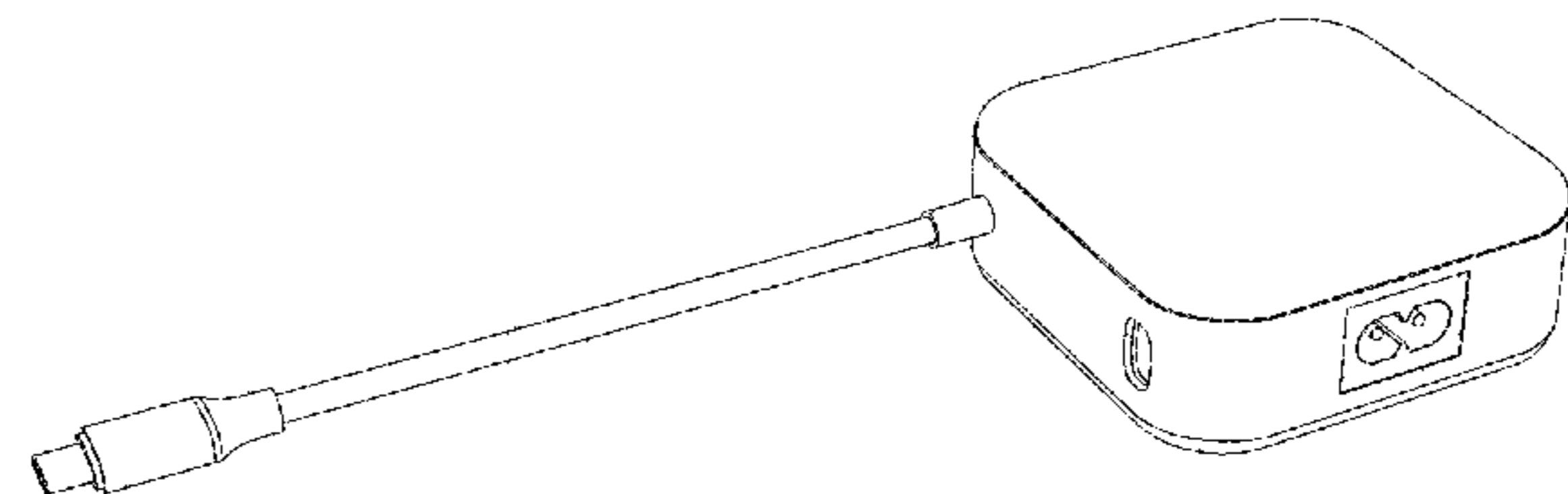
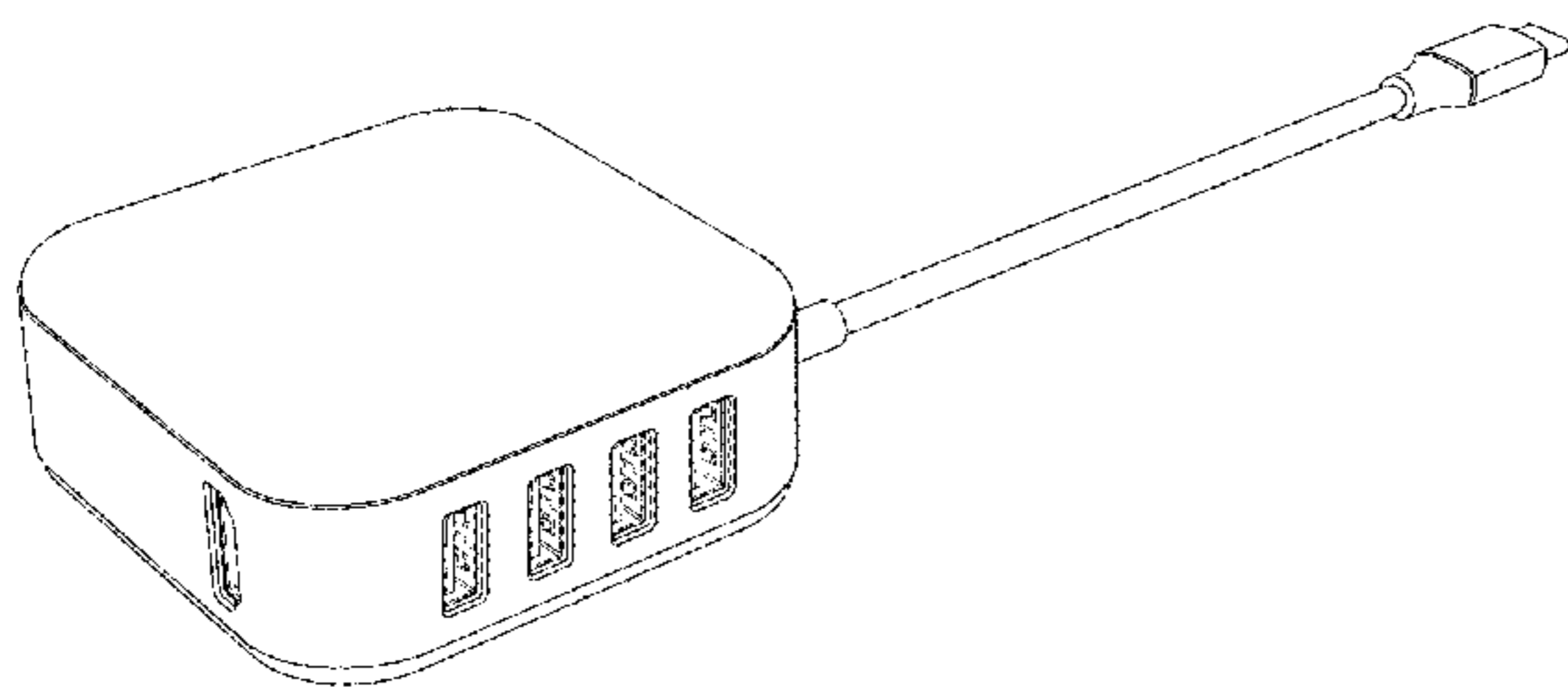
(57) **CLAIM**

The ornamental design for a smart docking station, as shown and described.

**DESCRIPTION**

FIG. 1 is a top view of a smart docking station showing my new design;  
FIG. 2 is a left side view thereof;  
FIG. 3 is a right view thereof;  
FIG. 4 is a bottom side view thereof;  
FIG. 5 is a front view thereof;  
FIG. 6 is a rear view thereof;  
FIG. 7 is a top, rear, right side perspective view thereof; and,  
FIG. 8 is a top, front, left side perspective view thereof.  
The broken lines in the drawings depict parts of the smart docking station that form no part of the claimed design.

**1 Claim, 8 Drawing Sheets**



(56)

**References Cited**

U.S. PATENT DOCUMENTS

D763,262	S	*	8/2016	Hallar	.....	D14/434
D773,991	S	*	12/2016	Liu	.....	D13/107
D782,485	S	*	3/2017	Cai	.....	D14/433
D784,356	S	*	4/2017	Luo	.....	D14/480.1
D788,036	S	*	5/2017	Wang	.....	D13/108
D788,112	S	*	5/2017	Liao	.....	D14/433
D790,458	S	*	6/2017	He	.....	D13/108
D796,432	S	*	9/2017	Liu	.....	D13/107
D798,301	S	*	9/2017	Kujawski	.....	D14/433
D808,971	S	*	1/2018	Akana	.....	D14/434
D813,875	S	*	3/2018	Liao	.....	D14/434
D820,207	S	*	6/2018	Lemelson	.....	D13/110
D820,208	S	*	6/2018	Lemelson	.....	D13/110
D820,209	S	*	6/2018	Lemelson	.....	D13/110
D836,114	S	*	12/2018	Nangeroni	.....	D14/432
D844,618	S	*	4/2019	Liao	.....	D14/434
D844,619	S	*	4/2019	Wendling	.....	D14/434

\* cited by examiner

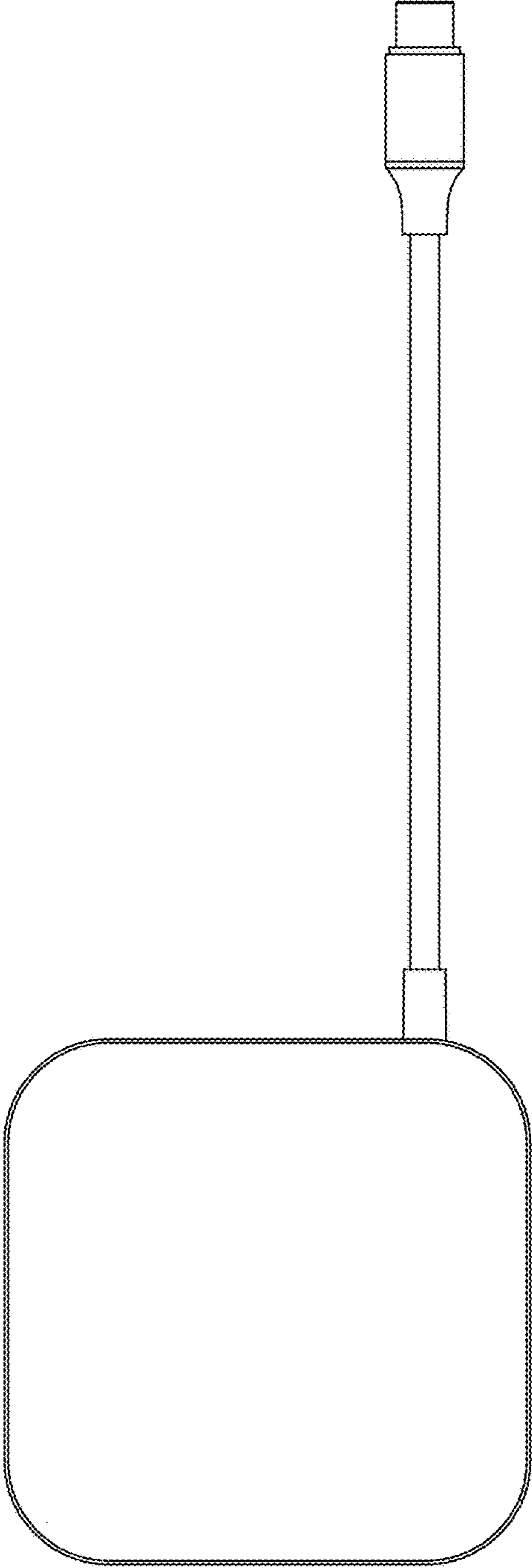


FIG. 1

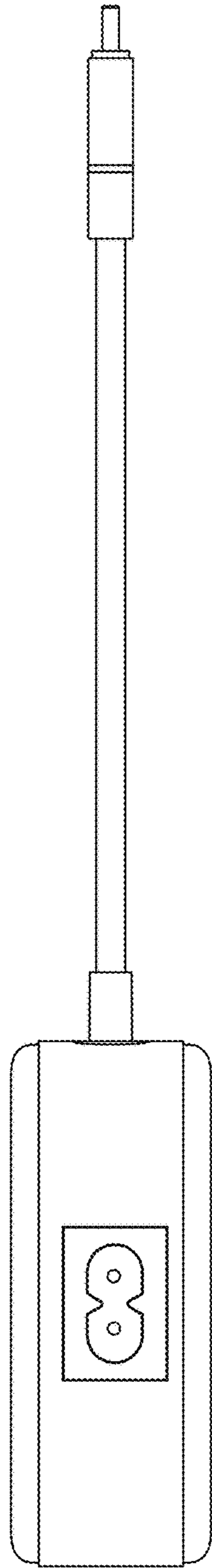


FIG. 2

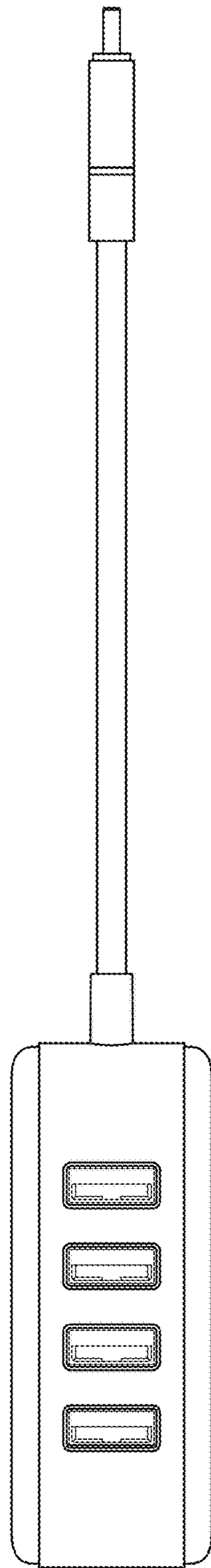


FIG. 3

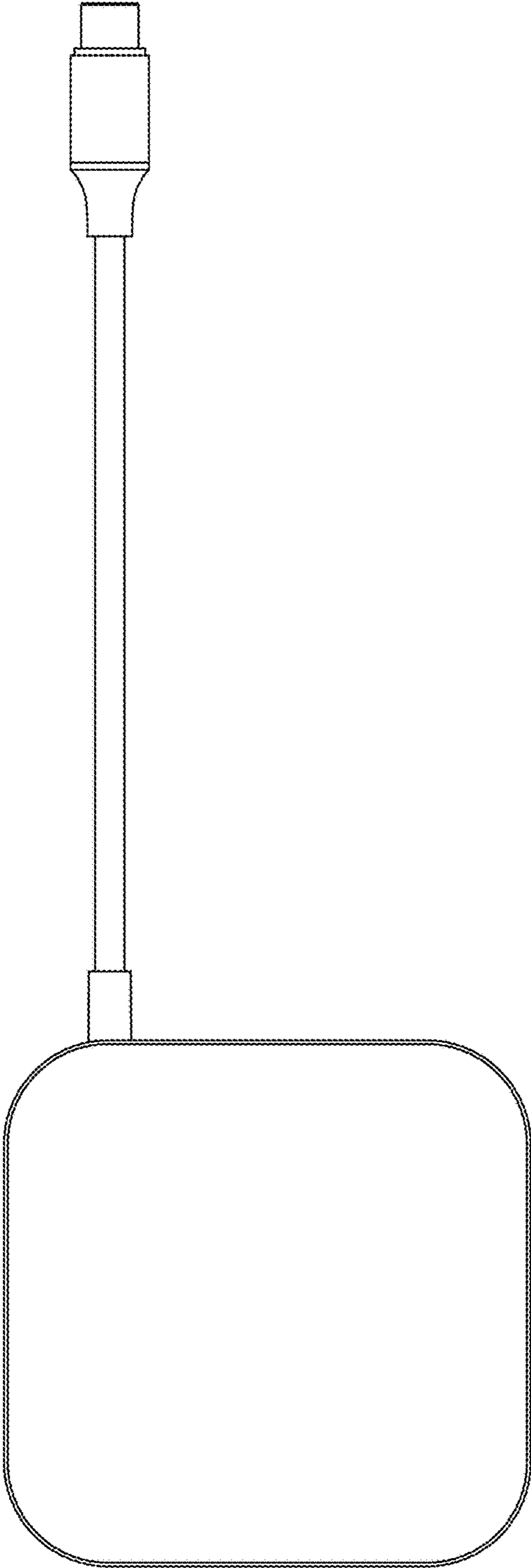


FIG. 4

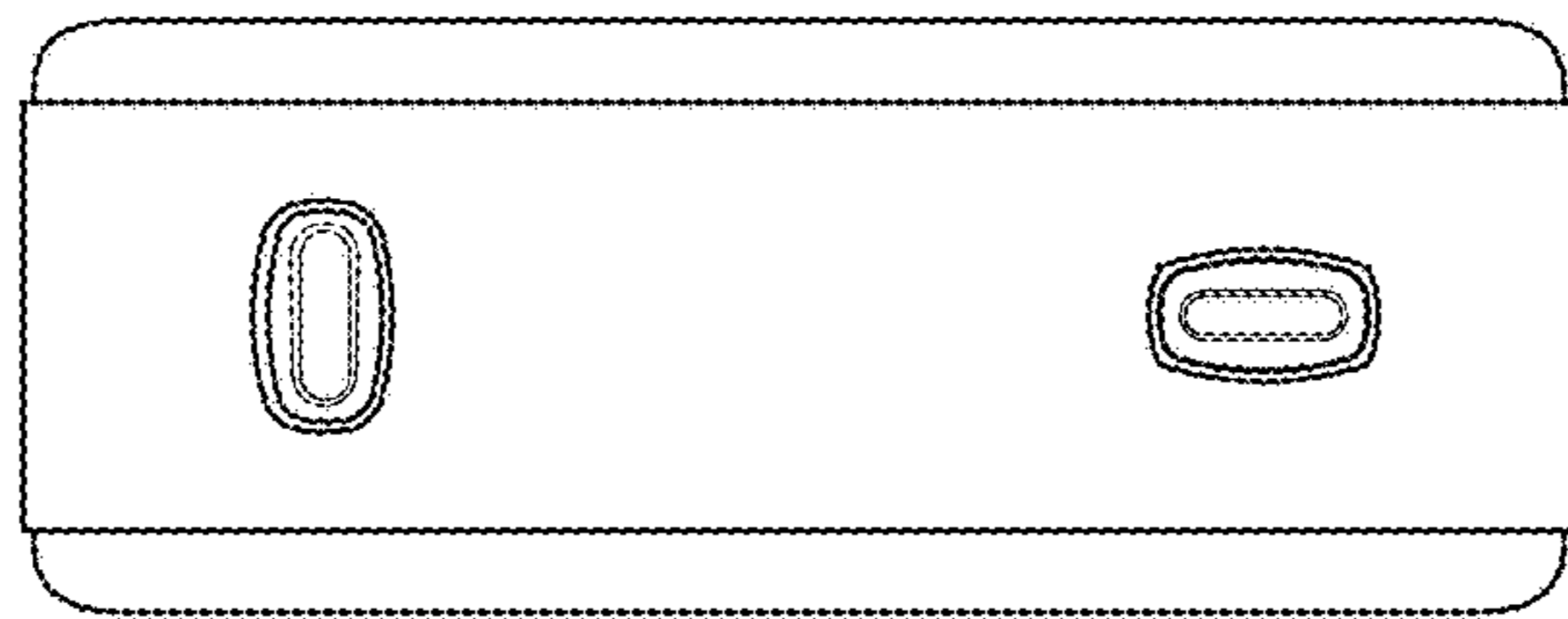


FIG. 5

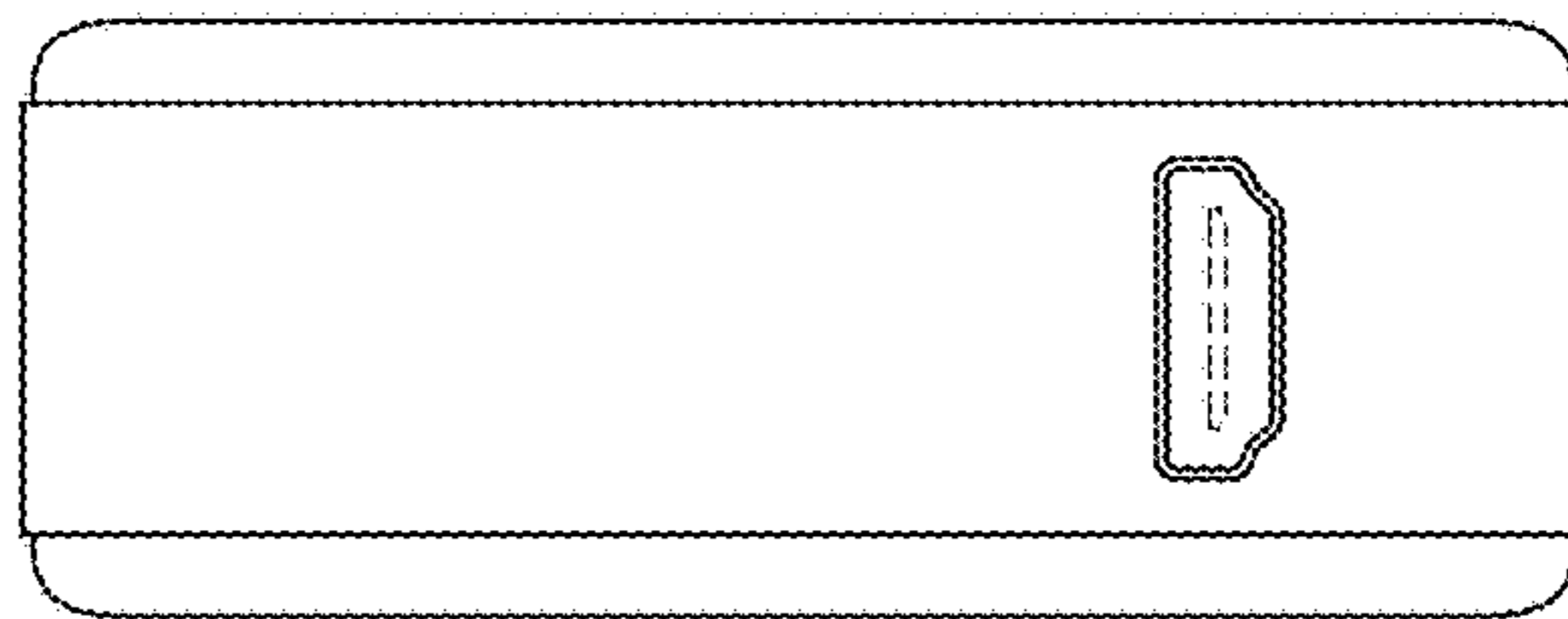


FIG. 6



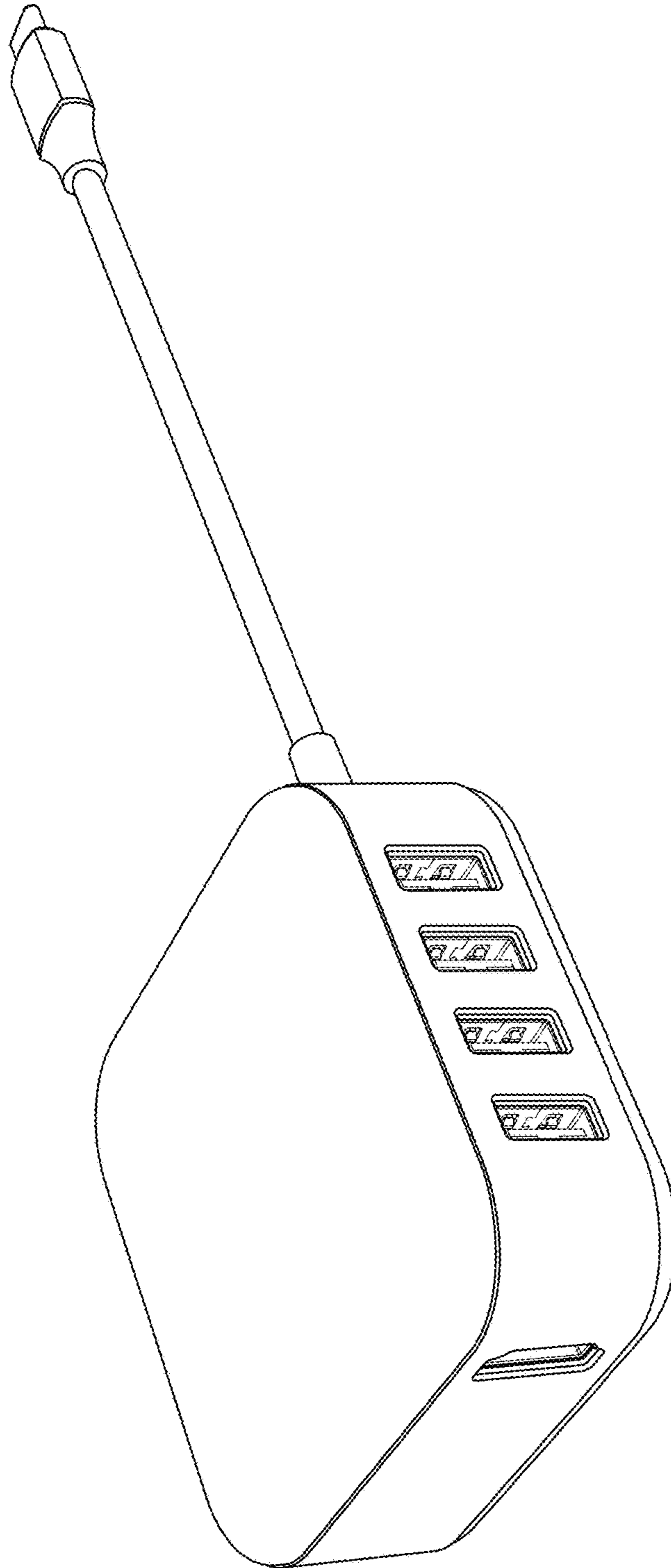


FIG. 7

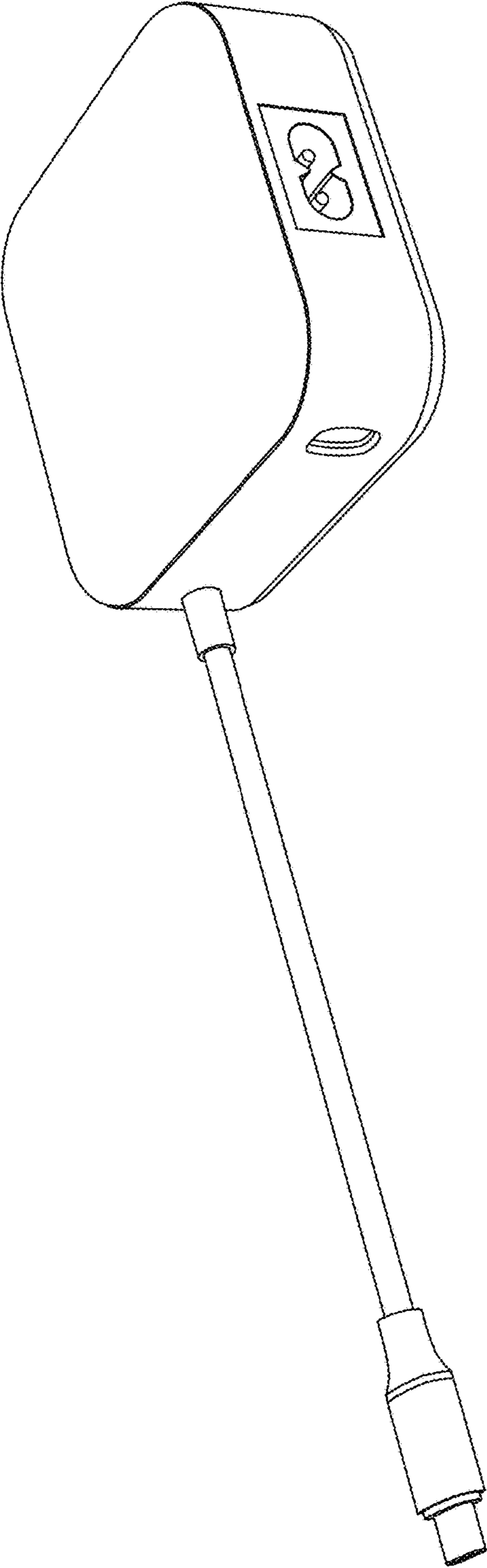


FIG. 8