



US00D854017S

(12) **United States Design Patent** (10) **Patent No.:** **US D854,017 S**
Claudepierre et al. (45) **Date of Patent:** **** Jul. 16, 2019**

- (54) **CABLE**
- (71) Applicant: **Google LLC**, Mountain View, CA (US)
- (72) Inventors: **Vincent Claudepierre**, San Francisco, CA (US); **Yoshimichi Matsuoka**, Sunnyvale, CA (US); **Sungyun Kim**, Sunnyvale, CA (US)
- (73) Assignee: **GOOGLE LLC**, Mountain View, CA (US)
- (**) Term: **15 Years**
- (21) Appl. No.: **29/677,960**
- (22) Filed: **Jan. 24, 2019**

Related U.S. Application Data

- (63) Continuation of application No. 29/619,750, filed on Oct. 2, 2017, now Pat. No. Des. 843,375.
- (51) **LOC (11) Cl.** **14-02**
- (52) **U.S. Cl.**
USPC **D14/433**
- (58) **Field of Classification Search**
USPC D14/240, 242, 356, 358, 363, 365, 367, D14/370, 432-437, 439, 498, 125, 366, D14/168, 496; D13/147, 164, 123, 133, D13/146, 110, 199, 103, 162, 159, 160, D13/184; 361/683, 684, 686, 724, 735, 361/737, 752; D18/40
CPC H01R 25/006; H01R 27/02; H01R 31/005; G06F 13/4022; G06F 13/382; G06F 1/1632; G06F 1/1684; G06F 1/20; G06F 1/1607
See application file for complete search history.

(56) **References Cited**

U.S. PATENT DOCUMENTS

- D381,629 S 7/1997 Goto
- D425,860 S 5/2000 Goto

- D549,660 S 8/2007 Zenri et al.
- D585,835 S 2/2009 Jaqua et al.
- D620,482 S 7/2010 Chen
- D636,337 S 4/2011 Smith et al.
- D692,390 S 10/2013 Smith et al.
- D701,172 S 3/2014 Evers et al.
- D716,235 S 10/2014 Tien
- D731,488 S 6/2015 Lee
- D733,142 S 6/2015 Solomon et al.
- D734,272 S 7/2015 Dang et al.

(Continued)

Primary Examiner — Austin Murphy

(74) *Attorney, Agent, or Firm* — Finnegan, Henderson, Farabow, Garrett & Dunner LLP

(57) **CLAIM**

The ornamental design for a cable, as shown and described.

DESCRIPTION

FIG. 1 is a right perspective view of a cable showing our new design, wherein the break lines indicate indeterminate length;

FIG. 2 is a left perspective view of a cable showing our new design, wherein the break lines indicate indeterminate length;

FIG. 3 is a top plan view thereof, wherein the break lines indicate indeterminate length;

FIG. 4 is a bottom plan view thereof, wherein the break lines indicate indeterminate length;

FIG. 5 is a right side elevation view thereof, wherein the break lines indicate indeterminate length;

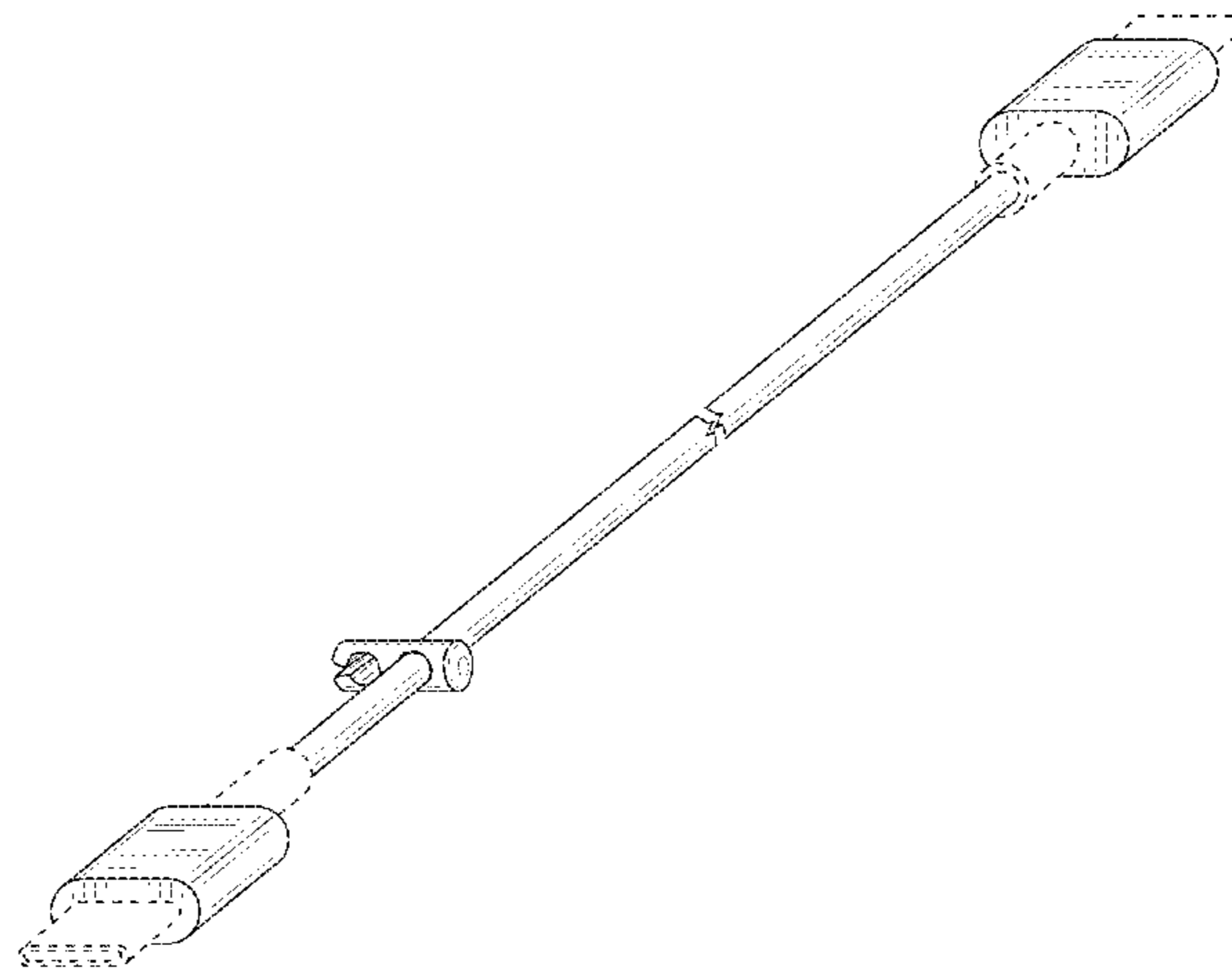
FIG. 6 is a left side elevation view thereof, wherein the break lines indicate indeterminate length;

FIG. 7 is a front elevation view thereof; and,

FIG. 8 is a rear elevation view thereof.

The elements depicted in broken lines are not part of the claimed design. The appearance of any portion of the article between the break lines forms no part of the claimed design.

1 Claim, 8 Drawing Sheets



(56)

References Cited

U.S. PATENT DOCUMENTS

D738,312 S	9/2015	Bress et al.	
D743,965 S	11/2015	de Mazieres et al.	
D746,291 S	12/2015	Solomon et al.	
D760,720 S	7/2016	de Mazieres et al.	
D761,262 S	7/2016	Solomon et al.	
D779,492 S *	2/2017	Lin	D14/433
D794,567 S	8/2017	Fries et al.	
D795,816 S	8/2017	He et al.	
D800,731 S *	10/2017	He	D14/433
D804,291 S	12/2017	Fawcett et al.	
D810,748 S *	2/2018	Zhang	D14/433
D810,749 S *	2/2018	Zhang	D14/433
D814,471 S *	4/2018	Kim	D14/433
D823,261 S	7/2018	Ugglä	
D823,812 S	7/2018	Hsieh	
D824,388 S *	7/2018	Fawcett	D14/433
D824,909 S *	8/2018	Namala	D14/433
D832,263 S *	10/2018	Chen	D14/433
D833,445 S *	11/2018	Xie	D14/433
D835,109 S *	12/2018	Chen	D14/433

* cited by examiner

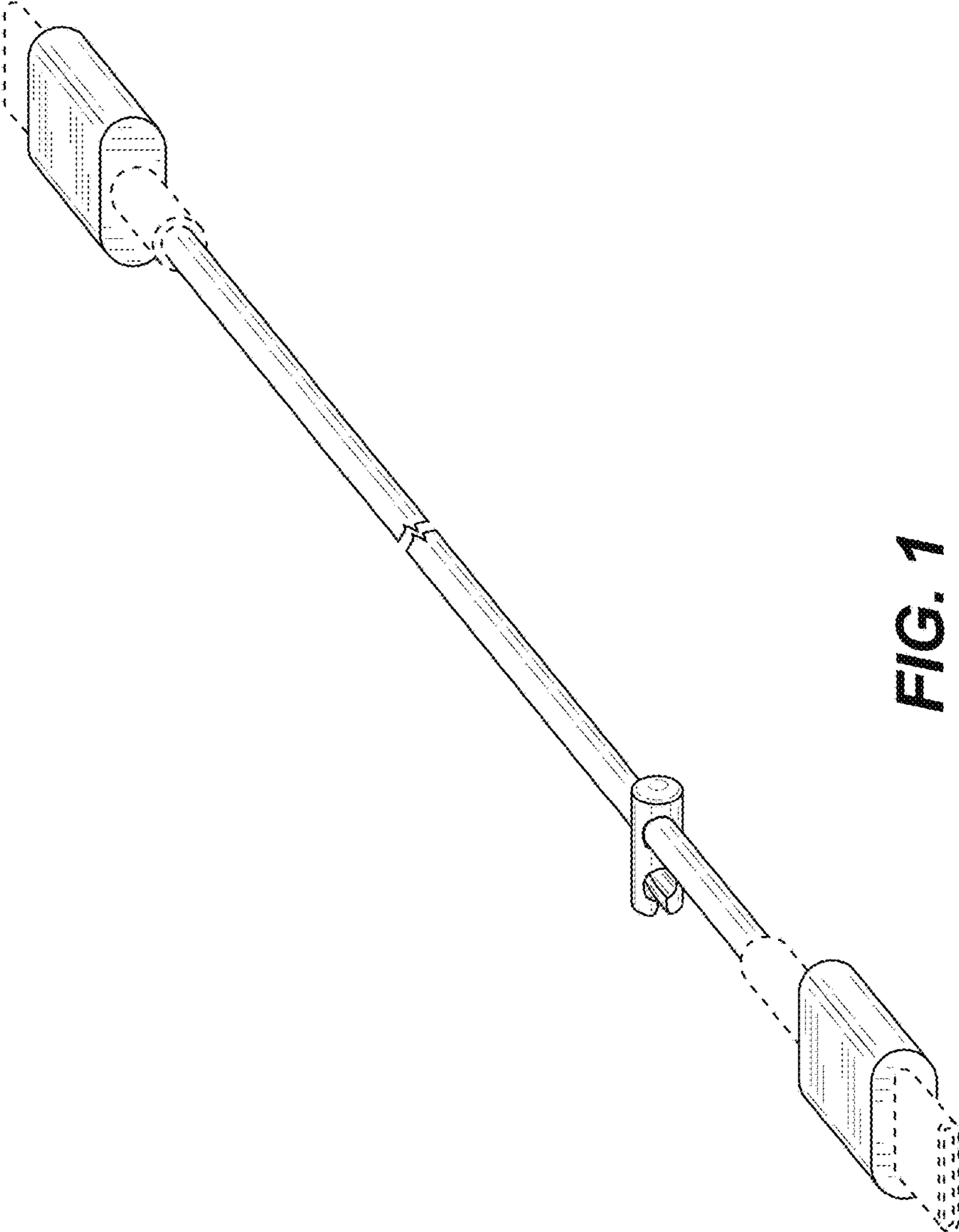


FIG. 1

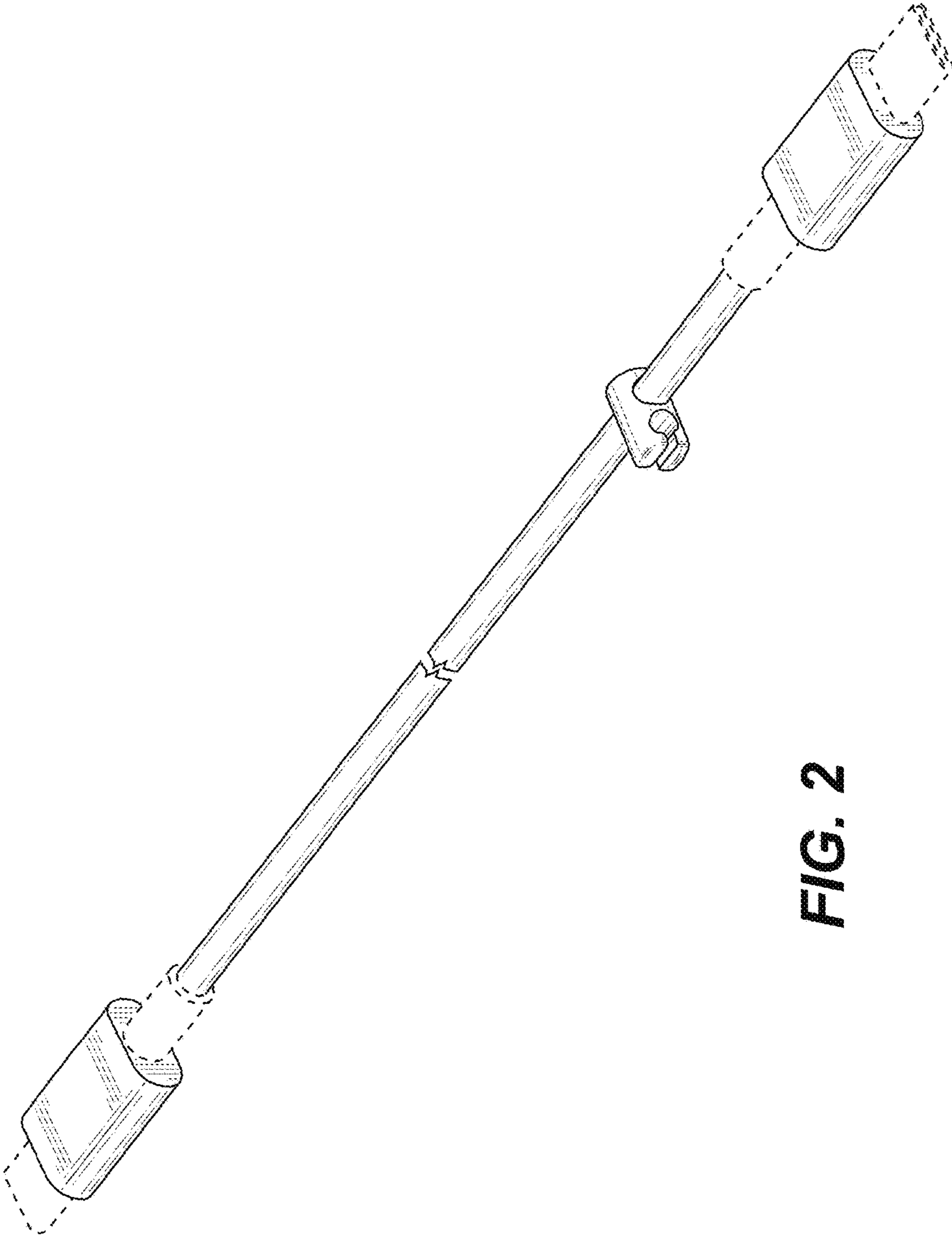


FIG. 2

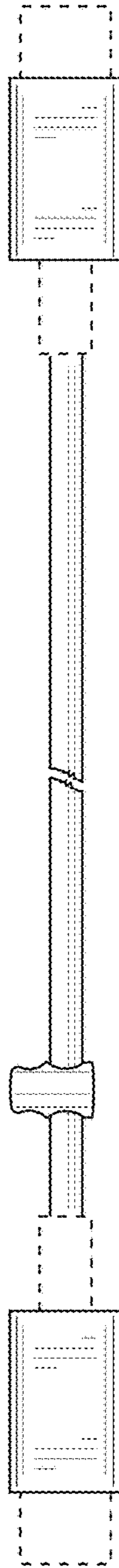


FIG. 3

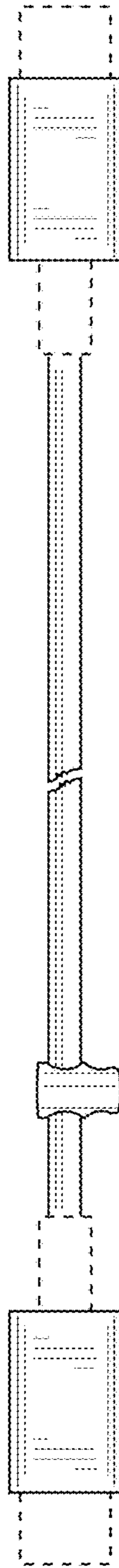


FIG. 4



FIG. 5



FIG. 6

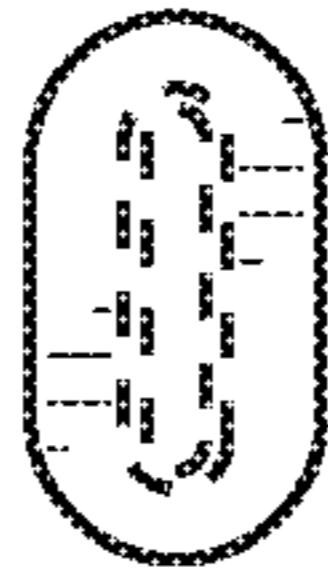


FIG. 7

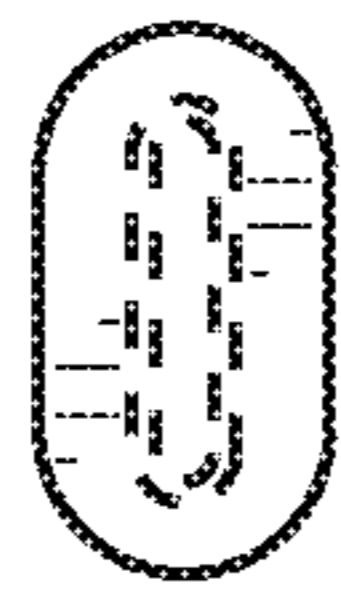


FIG. 8