



US00D854014S

(12) **United States Design Patent**
Akana et al.

(10) **Patent No.:** **US D854,014 S**
(45) **Date of Patent:** **** Jul. 16, 2019**

(54) **STYLUS TIP**

(71) Applicant: **Apple Inc.**, Cupertino, CA (US)

(72) Inventors: **Jody Akana**, San Francisco, CA (US); **Molly Anderson**, San Francisco, CA (US); **Bartley K. Andre**, Palo Alto, CA (US); **Shota Aoyagi**, San Francisco, CA (US); **Kevin Armendariz**, Mountain View, CA (US); **Anthony Michael Ashcroft**, San Francisco, CA (US); **Jeremy Bataillou**, San Francisco, CA (US); **Priyanka Bhandari**, San Francisco, CA (US); **Ryan Brooks**, Menlo Park, CA (US); **Daniel J. Coster**, San Francisco, CA (US); **Daniele De Iuliis**, San Francisco, CA (US); **M. Evans Hankey**, San Francisco, CA (US); **Julian Hoenig**, San Francisco, CA (US); **Richard P. Howarth**, San Francisco, CA (US); **Jonathan P. Ive**, San Francisco, CA (US); **Duncan Robert Kerr**, San Francisco, CA (US); **Matthew Dean Rohrbach**, San Francisco, CA (US); **Peter Russell-Clarke**, San Francisco, CA (US); **Benjamin Andrew Shaffer**, San Jose, CA (US); **Mikael Silvanto**, San Francisco, CA (US); **Christopher J. Stringer**, Woodside, CA (US); **Liquan Tan**, Sunnyvale, CA (US); **Eugene Antony Whang**, San Francisco, CA (US); **Aidan N. Zimmerman**, Sunnyvale, CA (US); **Rico Zörkendörfer**, San Francisco, CA (US)

(73) Assignee: **Apple Inc.**, Cupertino, CA (US)

(**) Term: **15 Years**

(21) Appl. No.: **29/605,226**

(22) Filed: **May 24, 2017**

Related U.S. Application Data

(63) Continuation of application No. 29/578,117, filed on Sep. 19, 2016, now Pat. No. Des. 791,770, which is (Continued)

(51) **LOC (11) Cl.** **07-05**

(52) **U.S. Cl.**
USPC **D14/411**

(58) **Field of Classification Search**
USPC D14/372, 496, 432, 371, 125, 126, 129, D14/299, 411; D16/300-342; 351/158, (Continued)

(56) **References Cited**

U.S. PATENT DOCUMENTS

4,712,937 A 12/1987 Schmidt et al.
D310,684 S 9/1990 Itoh
(Continued)

OTHER PUBLICATIONS

Adonit Styluses, <<http://www.adonit.net/jot/>>, available at least as early as Sep. 4, 2015.

(Continued)

Primary Examiner — Austin Murphy

(74) *Attorney, Agent, or Firm* — Saidman DesignLaw Group, LLC

(57) **CLAIM**

The ornamental design for a stylus tip, as shown and described.

DESCRIPTION

FIG. 1 is a front perspective view of a stylus tip showing our new design;

FIG. 2 is a rear perspective view thereof;

FIG. 3 is a front view thereof;

FIG. 4 is a rear view thereof;

FIG. 5 is a right side view thereof;

FIG. 6 left side view thereof;

(Continued)

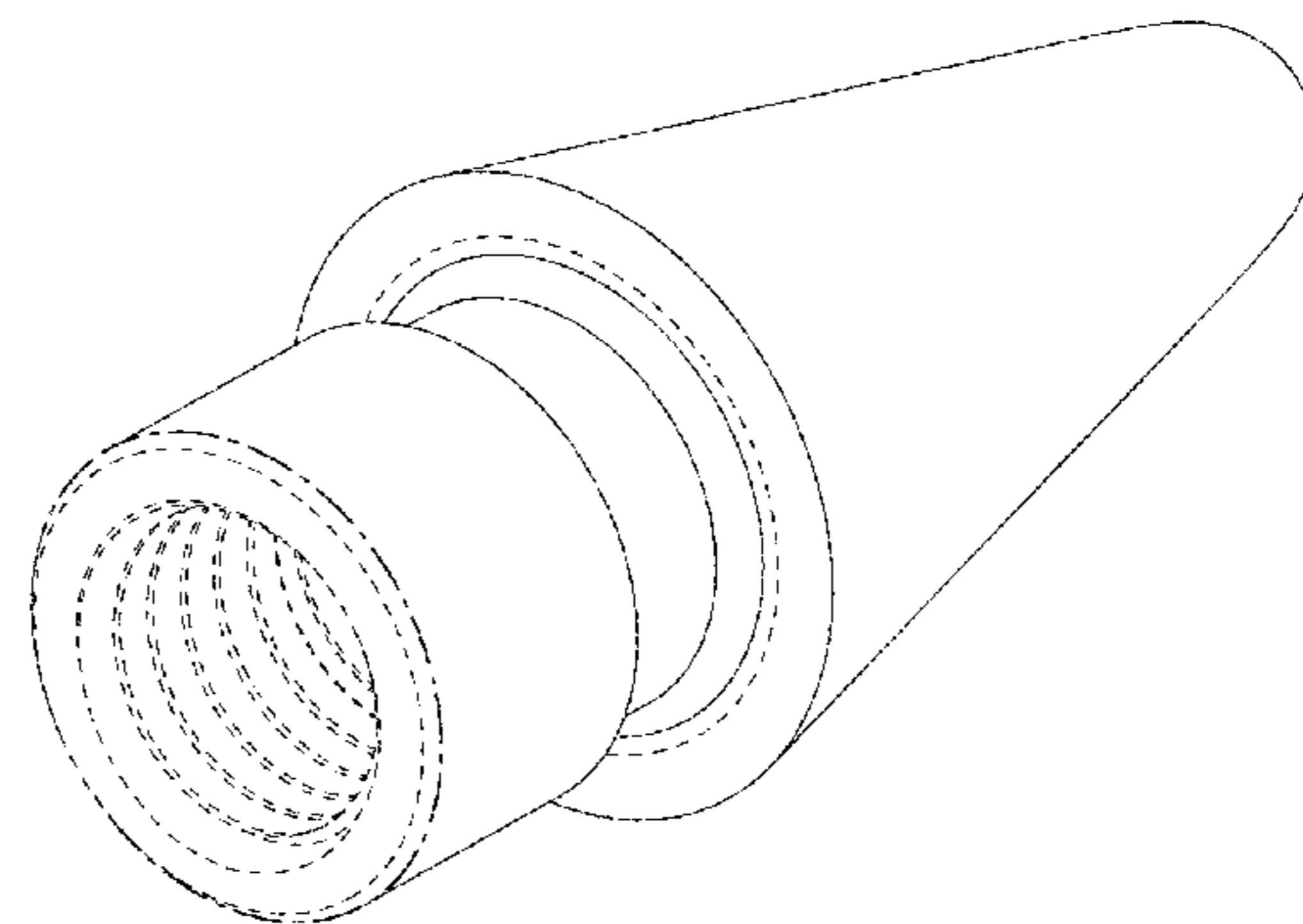
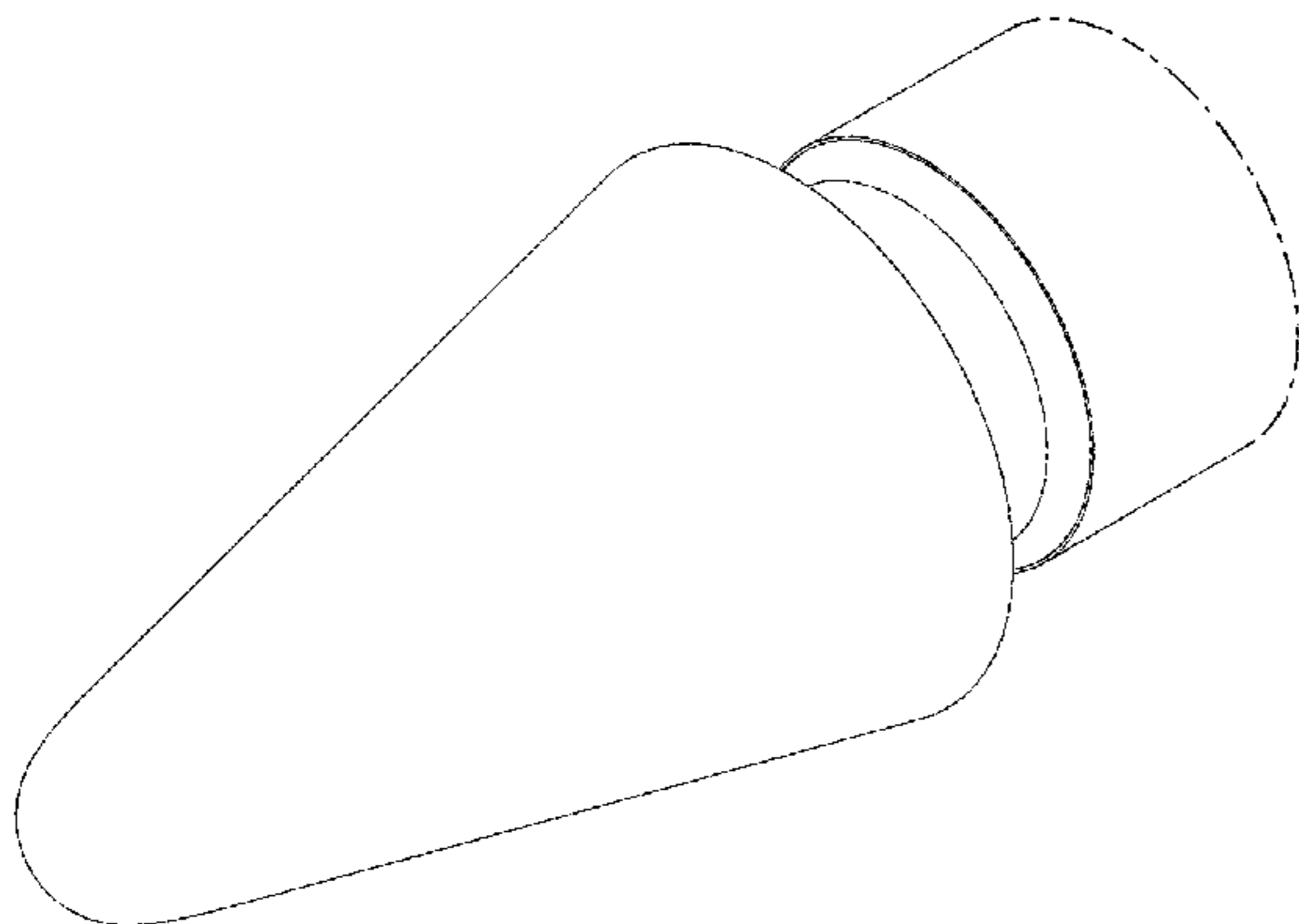


FIG. 7 is a top view thereof;
 FIG. 8 is a bottom view thereof; and,
 FIG. 9 is a cross sectional view taken along line 9-9 of FIG. 5.

The dashed broken lines illustrate structure or features which form no part of the claimed design.

The dot-dash broken lines illustrate boundaries of the claimed design; the dot-dash lines themselves form no part of the claimed design.

The diagonal solid lines in FIG. 9 indicate cross section; the diagonal solid lines themselves form no part of the claimed design.

The dot-dot-dash broken line in FIG. 3 illustrates contour, not structure or surface ornamentation.

1 Claim, 5 Drawing Sheets

Related U.S. Application Data

a continuation of application No. 29/538,860, filed on Sep. 9, 2015, now Pat. No. Des. 772,876.

(58) **Field of Classification Search**

USPC 351/153, 144; 345/7-9, 905; 455/344; 348/115, 53, 121, 739

CPC G02B 27/017; G06F 3/016; G06F 3/033; G06F 3/0317; G06F 3/03545; G06F 3/041; G06K 9/222

See application file for complete search history.

(56) **References Cited**

U.S. PATENT DOCUMENTS

D317,625 S	6/1991	Itoh	
D340,069 S	10/1993	Garry	
D352,703 S *	11/1994	Mitcham	D14/411
5,747,748 A *	5/1998	Zigler	B43K 23/10
			178/18.01
D416,043 S *	11/1999	Arthur	D19/200
D487,746 S *	3/2004	Fitch	D14/411
D487,896 S	3/2004	Tanner, Jr.	
D544,484 S	6/2007	Hussaini et al.	
D573,644 S	7/2008	Bhavnani	
D610,145 S	2/2010	Smith	
D614,622 S	4/2010	Nakata	
D614,623 S	4/2010	Crisp et al.	

D617,328 S	6/2010	Nakata	
7,928,967 B2	4/2011	Underwood et al.	
D669,898 S	10/2012	Nakata	
D670,700 S	11/2012	Halsinger et al.	
8,368,670 B2	2/2013	Liang	
D680,114 S	4/2013	Hashi	
D681,037 S	4/2013	Hashi	
D681,038 S	4/2013	Tomohiro	
8,414,210 B2	4/2013	Silverbrook et al.	
D682,833 S	5/2013	Paschke et al.	
D697,915 S	1/2014	Lien	
D699,722 S	2/2014	Sugino et al.	
D699,723 S	2/2014	Nishizawa	
D705,780 S	5/2014	Nishizawa	
D710,854 S	8/2014	Huang	
D717,301 S	11/2014	Groene et al.	
D717,302 S	11/2014	DeSerio	
D717,798 S	11/2014	Groene et al.	
D720,349 S	12/2014	Comerford et al.	
D722,600 S	2/2015	Dowd et al.	
D724,086 S	3/2015	Schoenert et al.	
D724,087 S	3/2015	Sakatsume et al.	
D727,325 S	4/2015	Spector	
D732,035 S	6/2015	Akana et al.	
D744,486 S	12/2015	Arai	
D750,630 S	3/2016	Nishizawa	
D751,560 S	3/2016	Akana et al.	
9,298,285 B2 *	3/2016	Mohindra	G06F 3/03545
D754,661 S	4/2016	Nishizawa	
D770,454 S	11/2016	Lee et al.	
D770,456 S	11/2016	Akana et al.	
D771,049 S	11/2016	Akana et al.	
D771,630 S	11/2016	Akana et al.	
D772,230 S	11/2016	Lee et al.	
D772,876 S *	11/2016	Akana	D14/411
D773,462 S	12/2016	Mitchell	
D783,022 S	4/2017	Sirota et al.	
D786,253 S	5/2017	Akana et al.	
D788,109 S *	5/2017	Kuan-her	D14/411
D796,512 S *	9/2017	Akana	D14/411
D826,230 S *	8/2018	Peterson	D14/411
D826,231 S *	8/2018	Akana	D14/411

OTHER PUBLICATIONS

U.S. Appl. No. 29/577,947 to Akana et al., titled "Stylus Cap", filed Sep. 16, 2016 (unpublished).
 U.S. Appl. No. 29/578,227 to Akana et al., titled "Stylus", filed Sep. 20, 2016 (unpublished).
 U.S. Appl. No. 29/578,256 to Akana et al., titled "Stylus", filed Sep. 20, 2016 (unpublished).

* cited by examiner

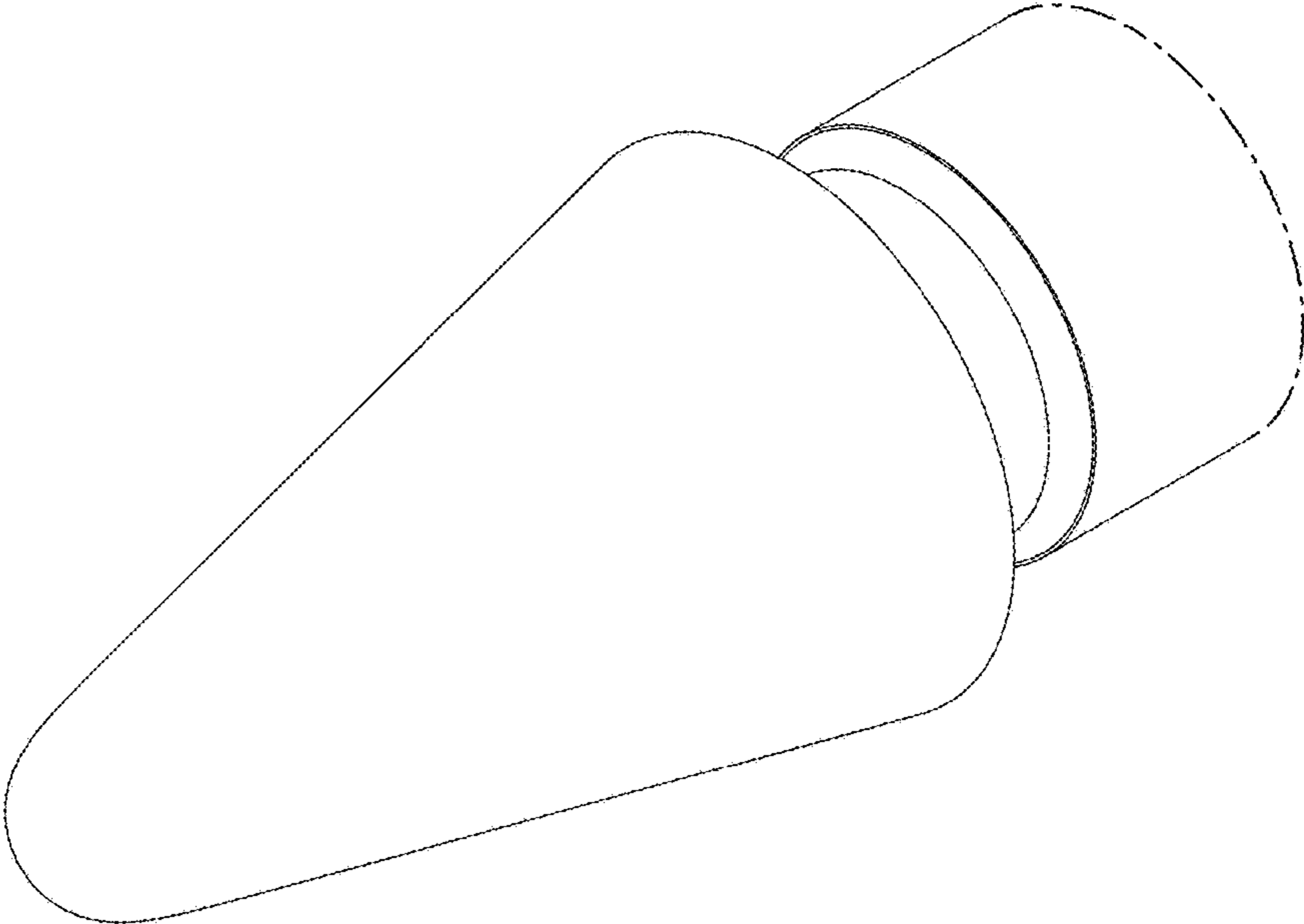


FIG. 1

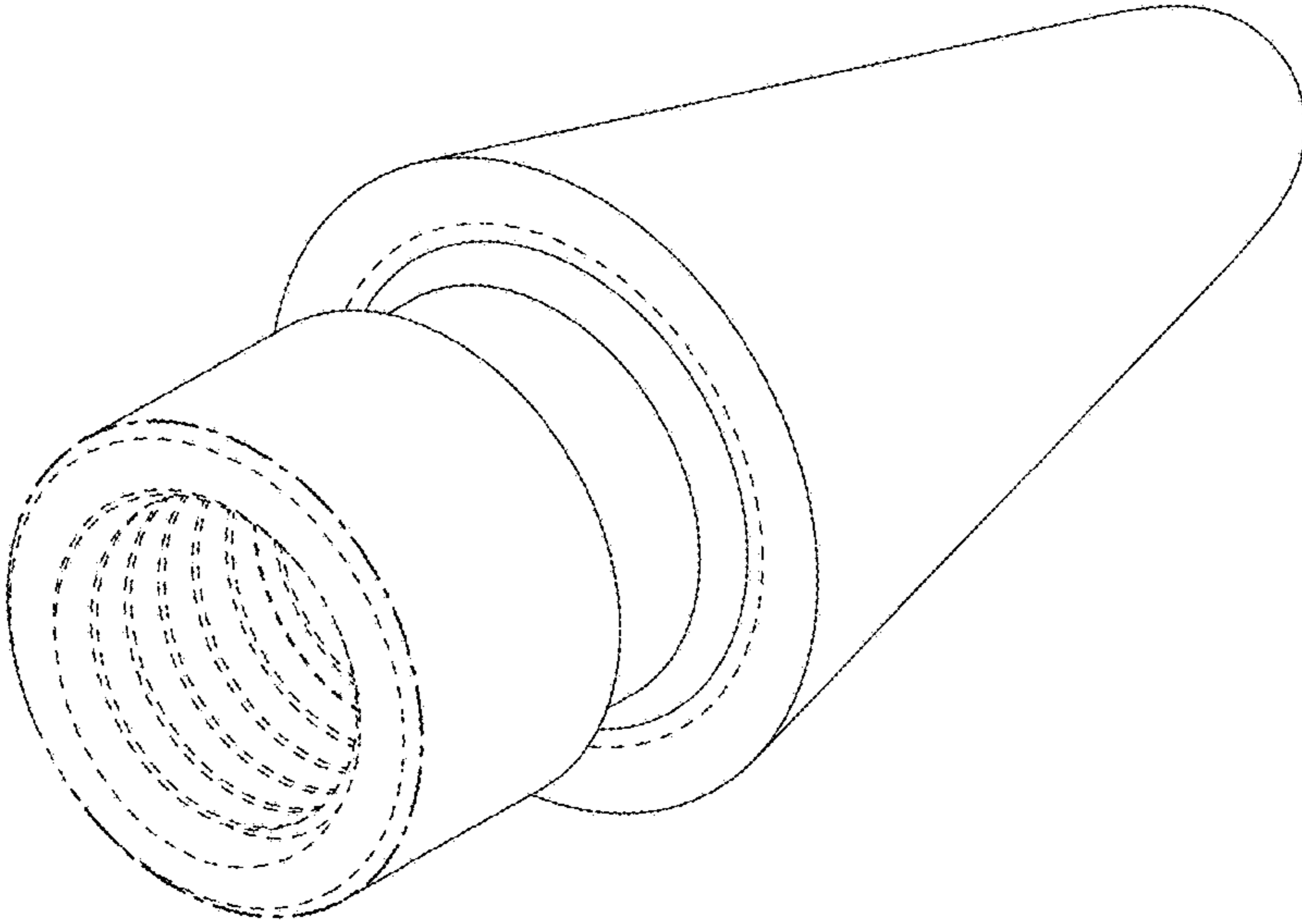


FIG. 2

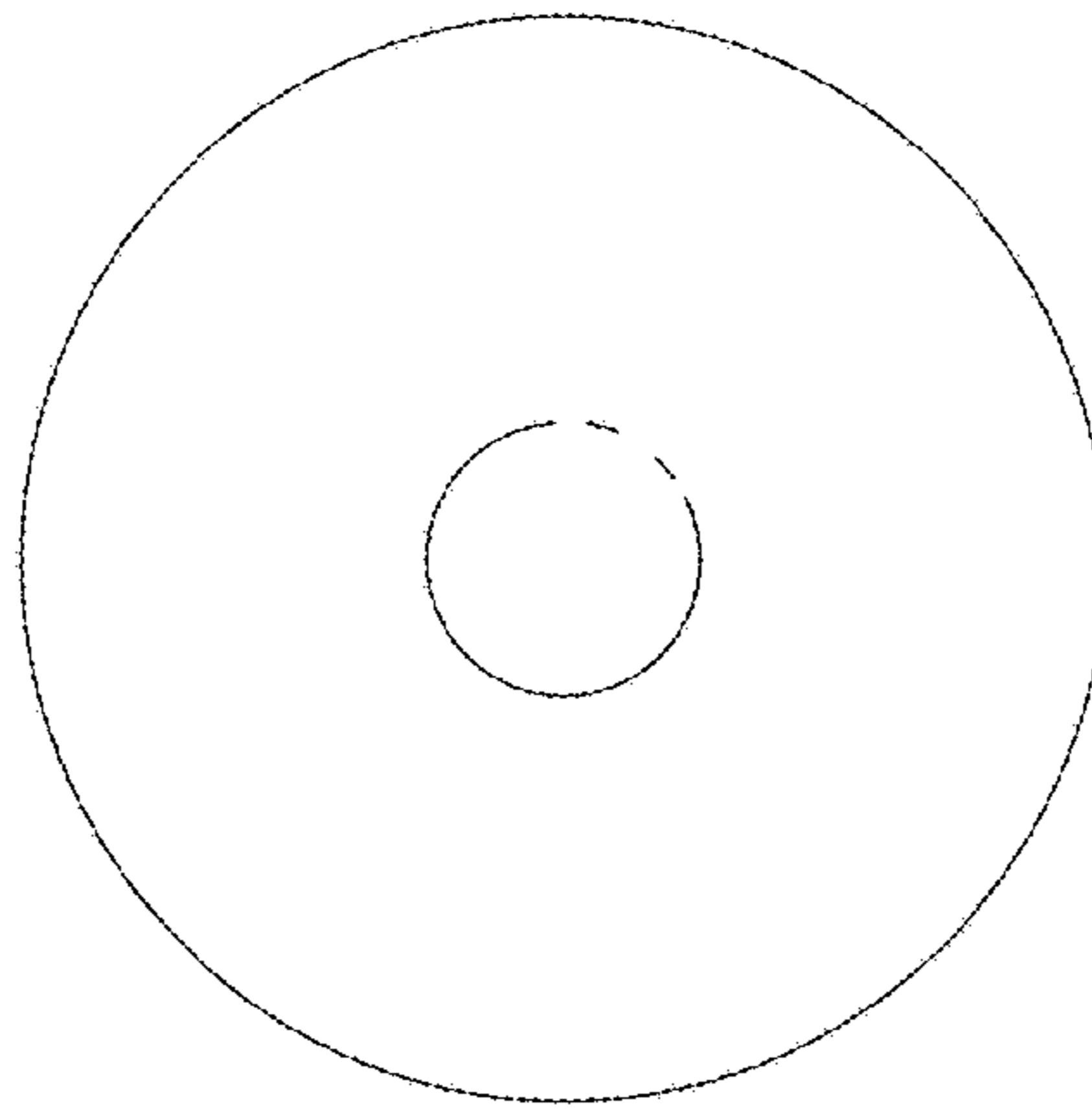


FIG. 3

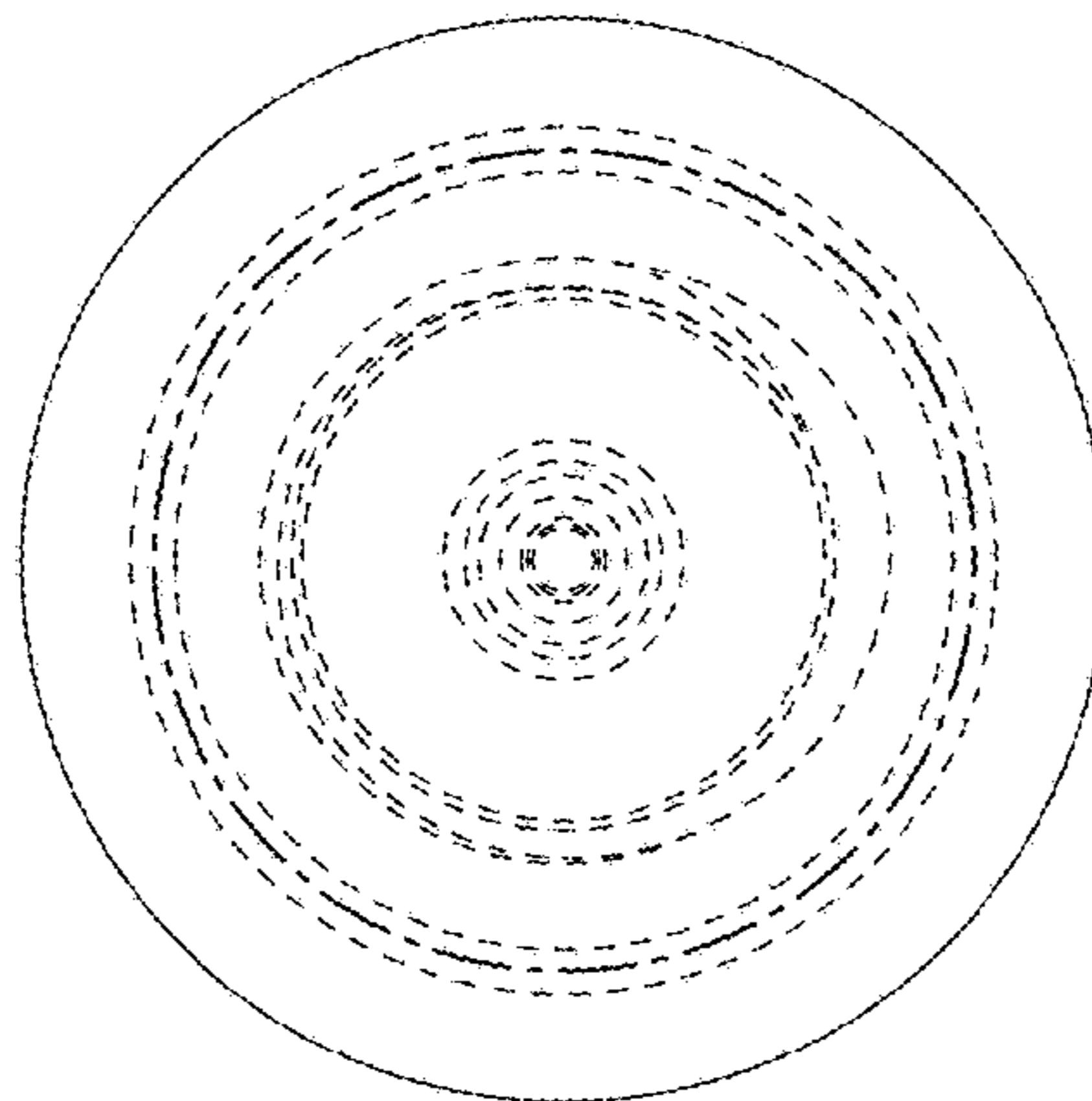


FIG. 4

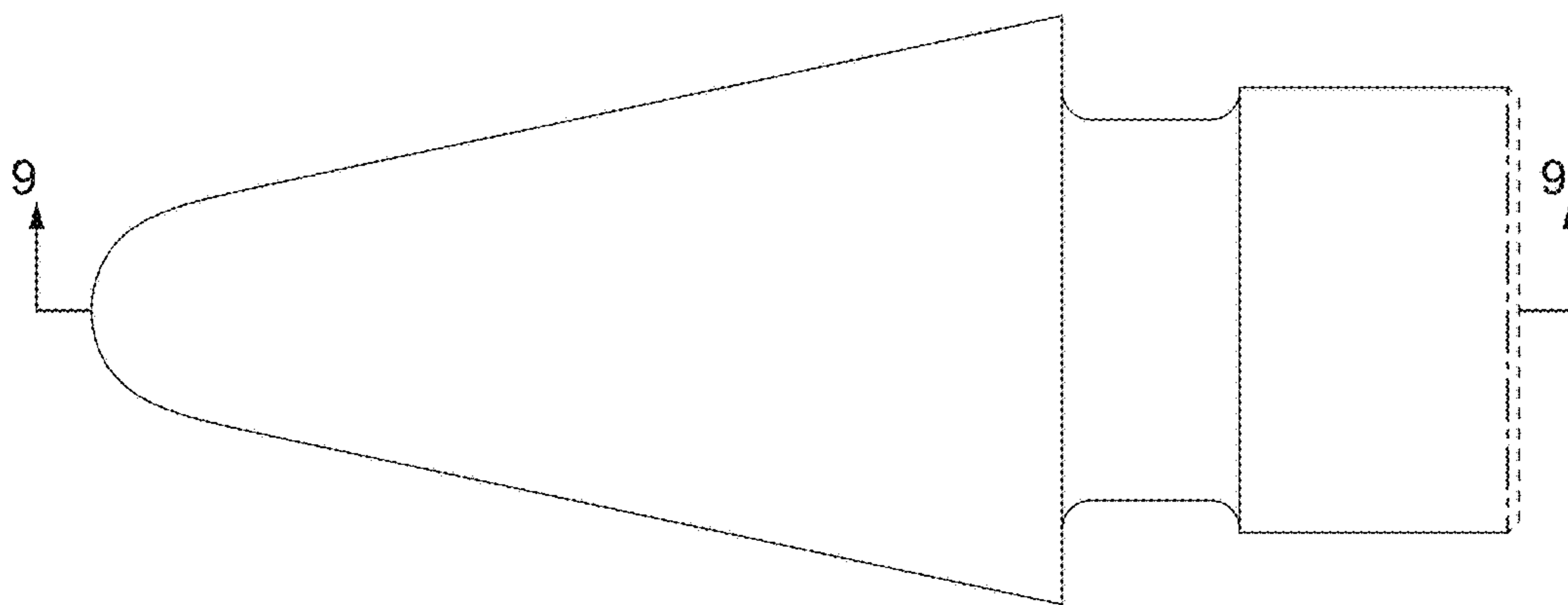


FIG. 5

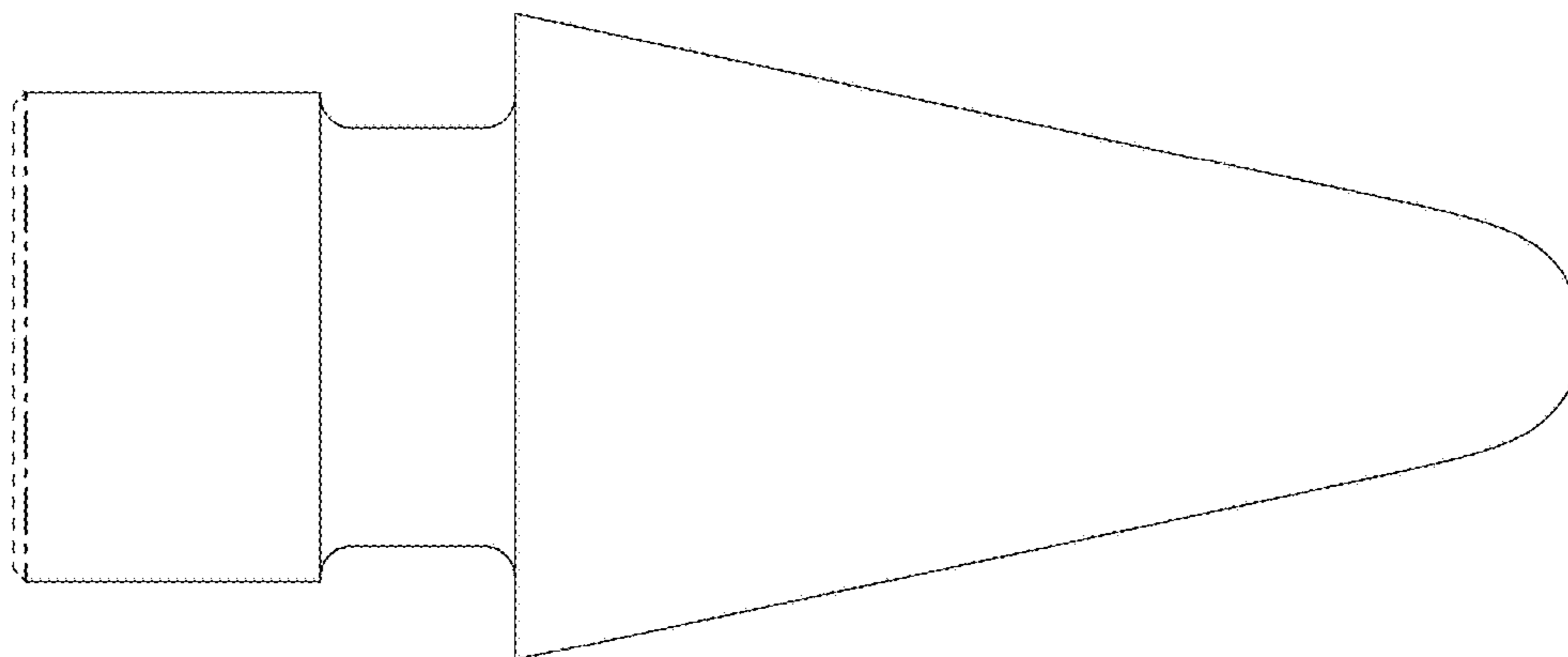


FIG. 6

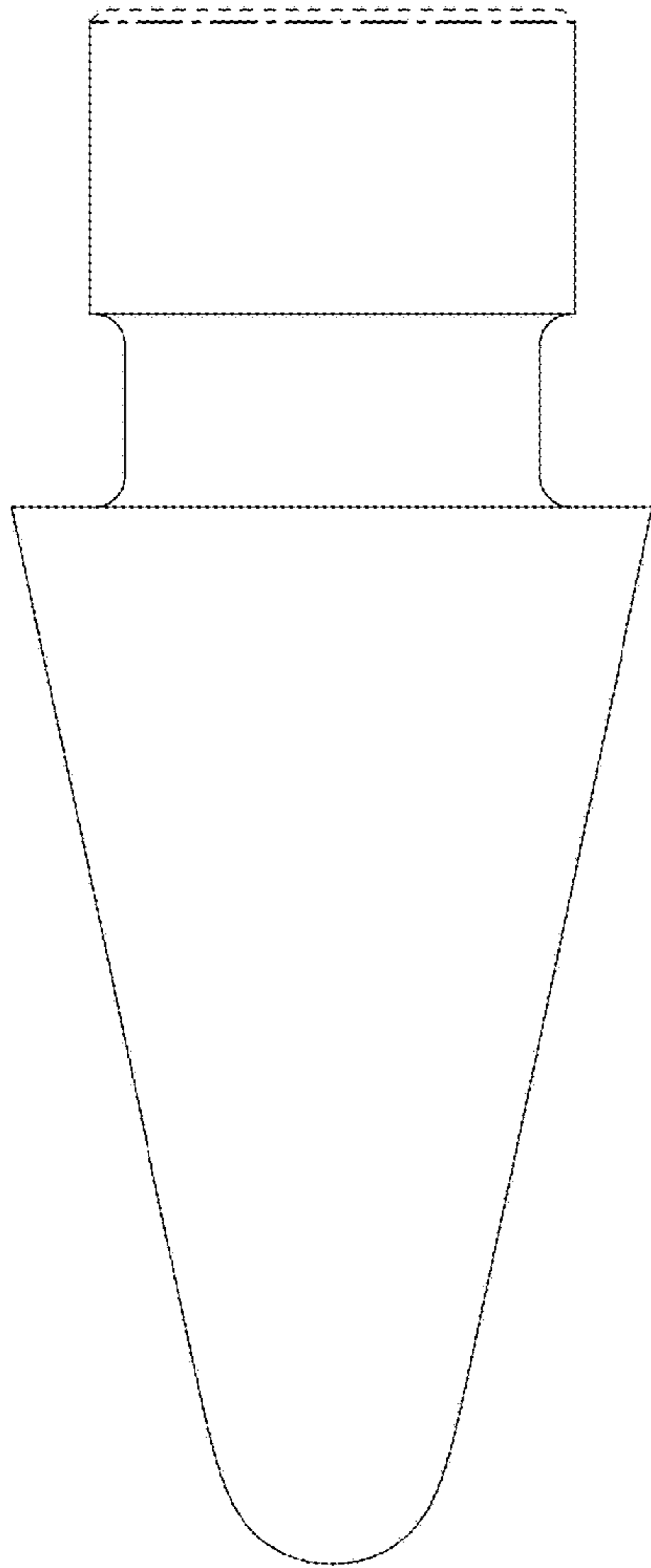


FIG. 7

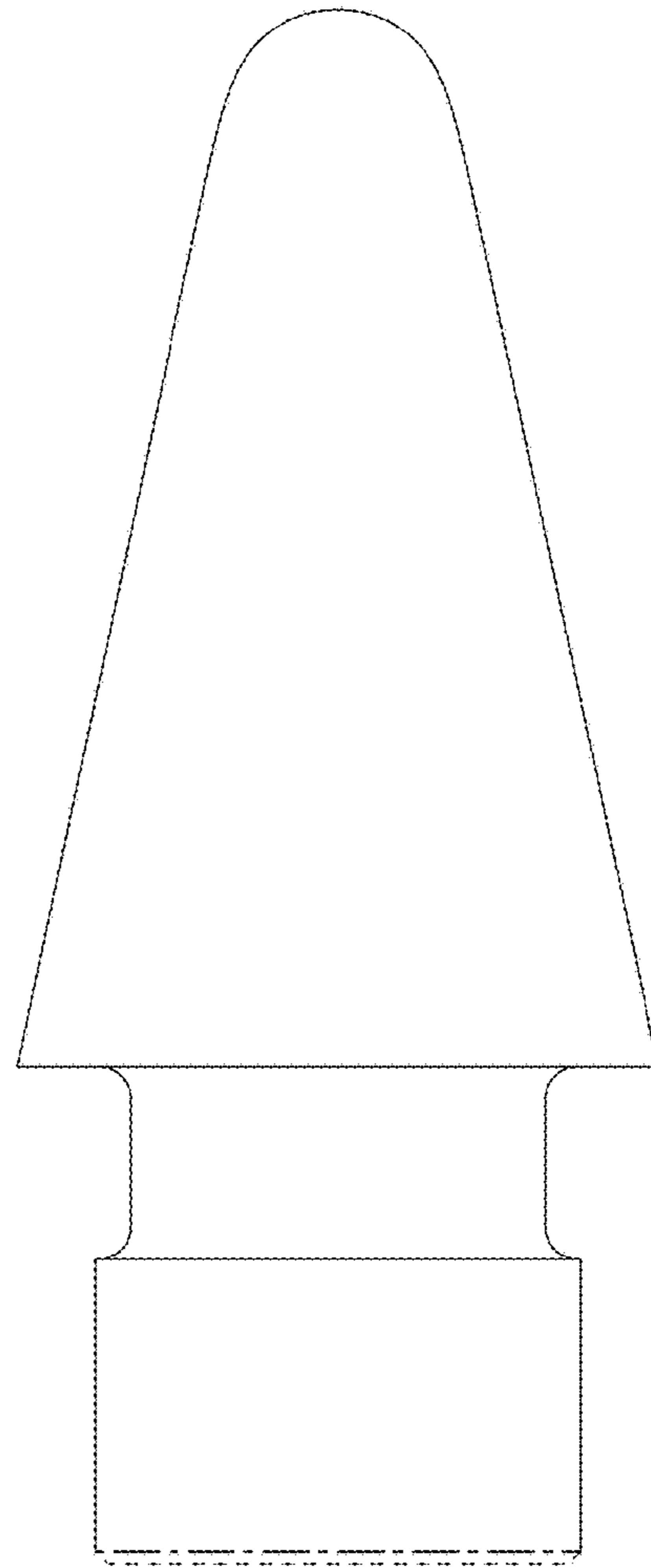


FIG. 8

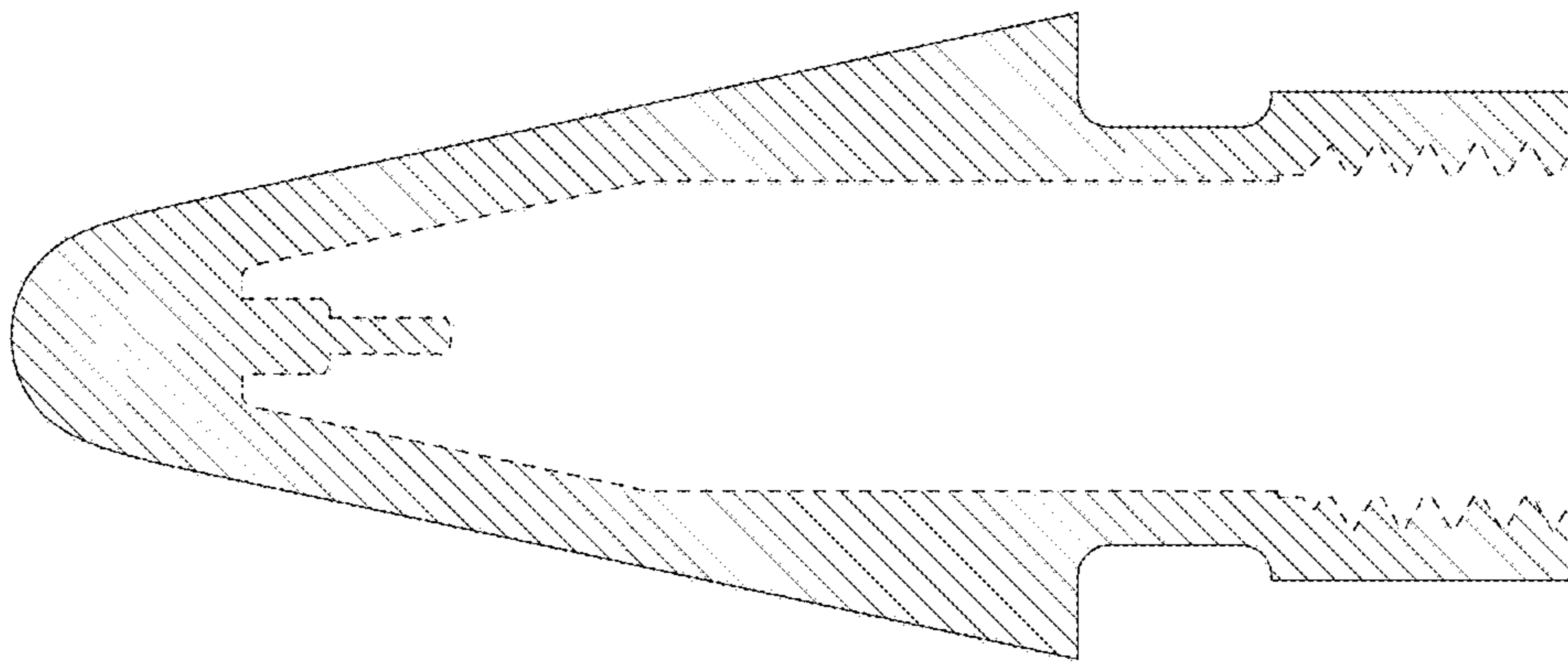


FIG. 9