



US00D854012S

(12) **United States Design Patent** (10) **Patent No.:** **US D854,012 S**
Oakley (45) **Date of Patent:** **** Jul. 16, 2019**

(54) **ELECTRONIC DEVICE WITH WIRELESS DOCK SLOTS**

2027/0118; G02B 27/0101; A47B 21/0314; A47B 88/044; A47B 2021/0335; F16B 47/00; F16B 47/006

(71) Applicant: **Intel Corporation**, Santa Clara, CA (US)

See application file for complete search history.

(72) Inventor: **Nicholas W. Oakley**, Portland, OR (US)

(56) **References Cited**

U.S. PATENT DOCUMENTS

(73) Assignee: **Intel Corporation**, Santa Clara, CA (US)

7,510,420 B2 * 3/2009 Mori G06F 13/4022 379/446
D637,596 S * 5/2011 Akana D14/341
D651,599 S * 1/2012 Kim D14/315
(Continued)

(**) Term: **14 Years**

Primary Examiner — Katie Jane Stofko

(21) Appl. No.: **29/513,092**

(74) *Attorney, Agent, or Firm* — International IP Law Group, P.L.L.C.

(22) Filed: **Dec. 26, 2014**

(51) **LOC (11) Cl.** **14-02**

(52) **U.S. Cl.**
USPC **D14/374**

(57) **CLAIM**

The ornamental design for an electronic device with wireless dock slots, as shown and described.

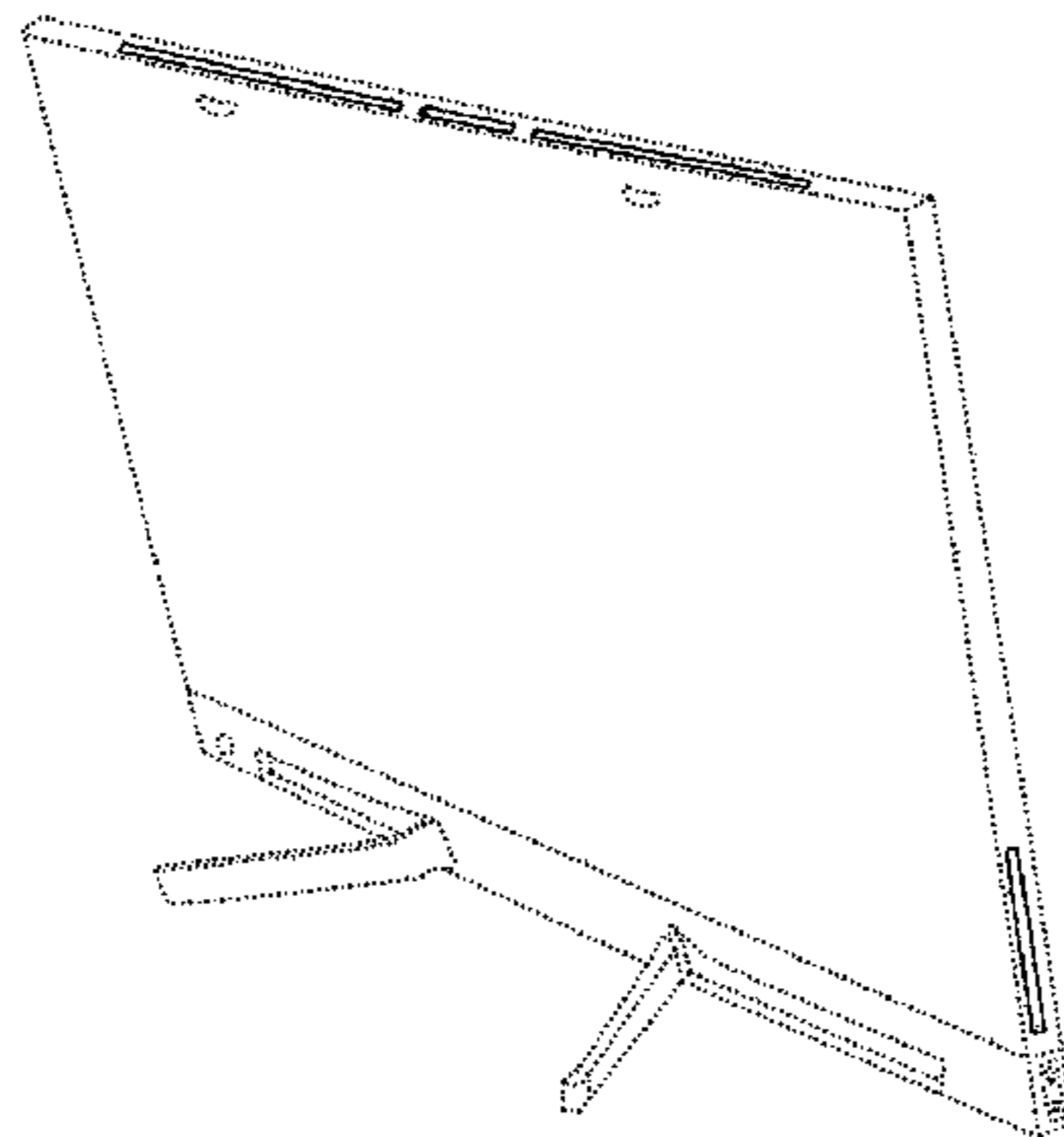
(58) **Field of Classification Search**

USPC D14/371–382, 125–129, 341, 335–337, D14/447–452, 492, 239, 457, 439–441, D14/432, 251–253, 434; D8/349, 354, D8/363, 373, 376, 380; 348/180, 184, 348/325, 739, 825; D12/407, 415; D3/218; 341/12; D13/102, 107, 108, D13/139.1, 162
CPC G06F 3/0412; G06F 3/016; G06F 3/0488; G06F 3/011; G06F 3/038; G06F 3/03543; G06F 3/0338; G06F 3/0202; G06F 3/0219; G06F 3/0213; G06F 1/1616; G06F 3/023; G06F 3/04883; G02F 1/13338; G02F 1/1313; G02F 1/1333; G02F 1/135; G02F 1/132; G02F 1/133308; G02F 1/134309; G02F 1/13718; G09G 3/3648; G06K 15/1252; G03F 7/70291; F16M 13/02; F16M 13/00; F16M 11/10; F16M 11/04; F16M 2200/08; F16M 11/2021; H02G 3/126; A47G 1/17; A47K 2201/00; B41J 2/465; G02B 27/0172; G02B 5/30; G02B

DESCRIPTION

FIG. 1 is a perspective view of an electronic device with wireless dock slots;
FIG. 2 is a rear perspective view thereof;
FIG. 3 is a front perspective view thereof;
FIG. 4 is an alternate rear perspective view thereof;
FIG. 5 is a top, left, front perspective view thereof;
FIG. 6 is an exploded top, right, front perspective view thereof;
FIG. 7 is a top, right, front perspective view thereof;
FIG. 8 is a top, right, rear perspective view thereof;
FIG. 9 is a top plan view thereof; and,
FIG. 10 is a right side elevation view thereof.
The broken lines illustrating a peripheral device which docks into a dock slot in FIGS. 6 and 7 illustrate environment, while the remaining broken lines in the drawings illustrate portions of the electronic device with wireless dock slots that form no part of the claimed design.

1 Claim, 10 Drawing Sheets



(56)

References Cited

U.S. PATENT DOCUMENTS

8,127,155	B2 *	2/2012	Baarman	G06F 1/1632 361/679.4
D669,076	S *	10/2012	Haller	D14/374
D686,202	S *	7/2013	Lee	D14/315
D687,819	S *	8/2013	Jung	D14/315
D693,343	S *	11/2013	Haller	D14/374
D696,662	S *	12/2013	Song	D14/341
D750,616	S *	3/2016	Liang	D14/318
D760,712	S *	7/2016	Romano	D14/315
D762,637	S *	8/2016	Jung	D14/315
9,423,895	B2 *	8/2016	Adamson	
2005/0041378	A1 *	2/2005	Hamada	G06F 1/1616 361/679.01

* cited by examiner

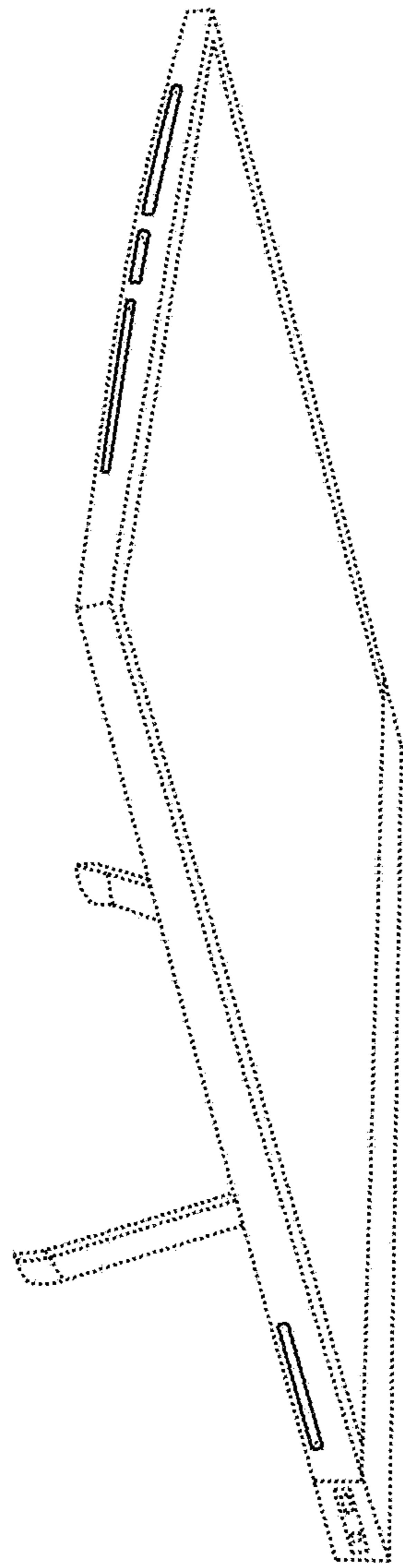


FIG. 1

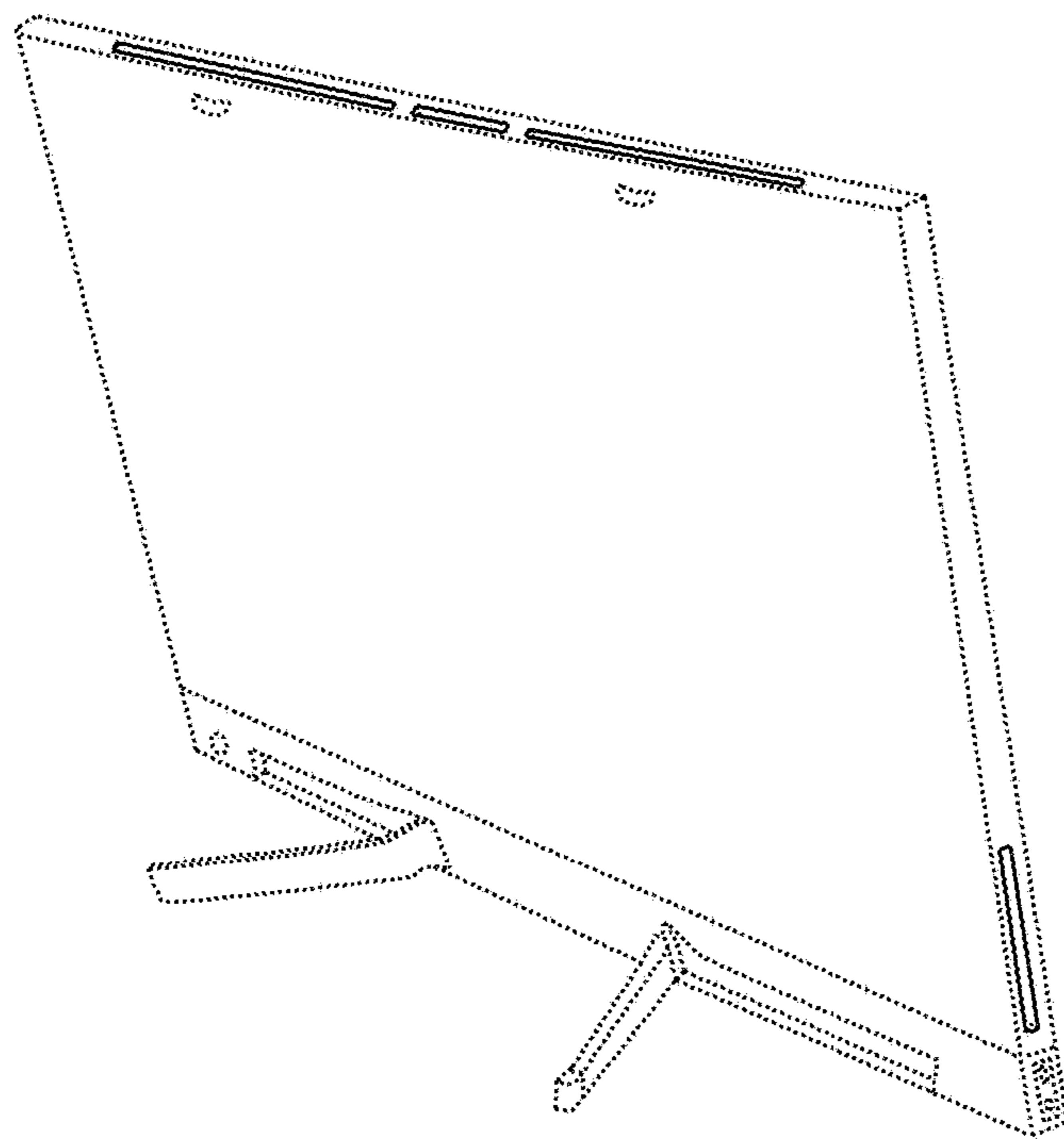


FIG. 2

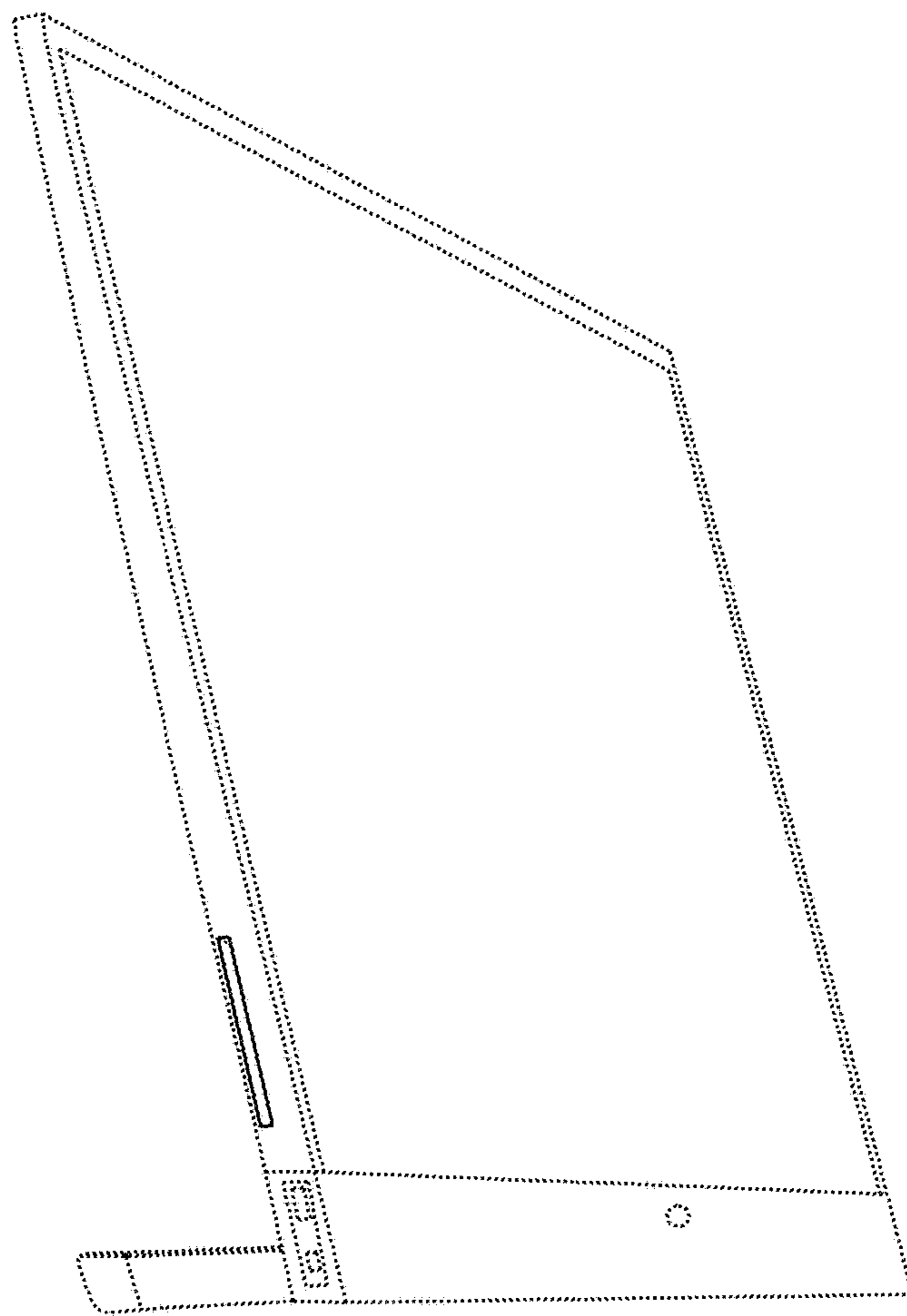


FIG. 3

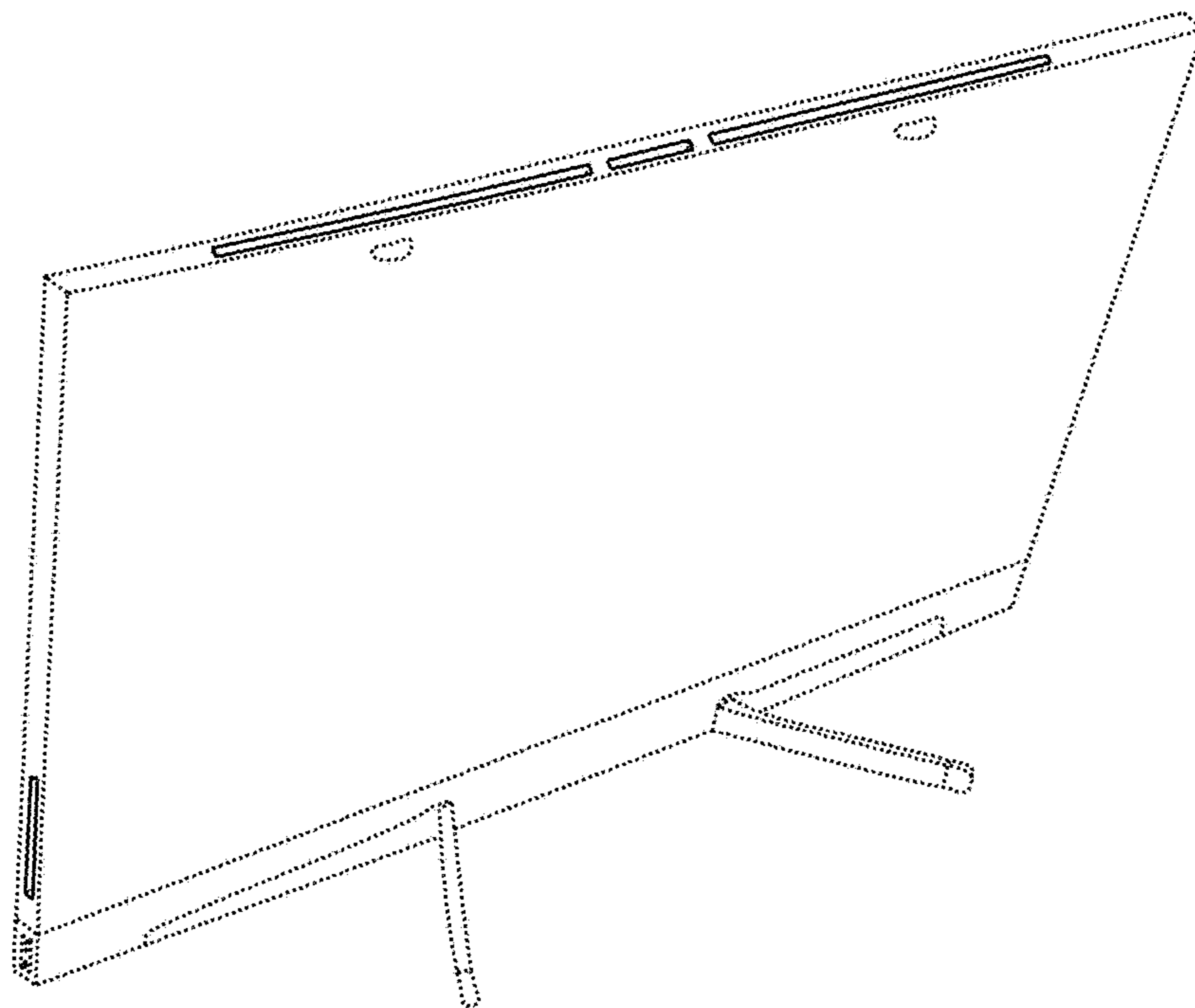


FIG. 4

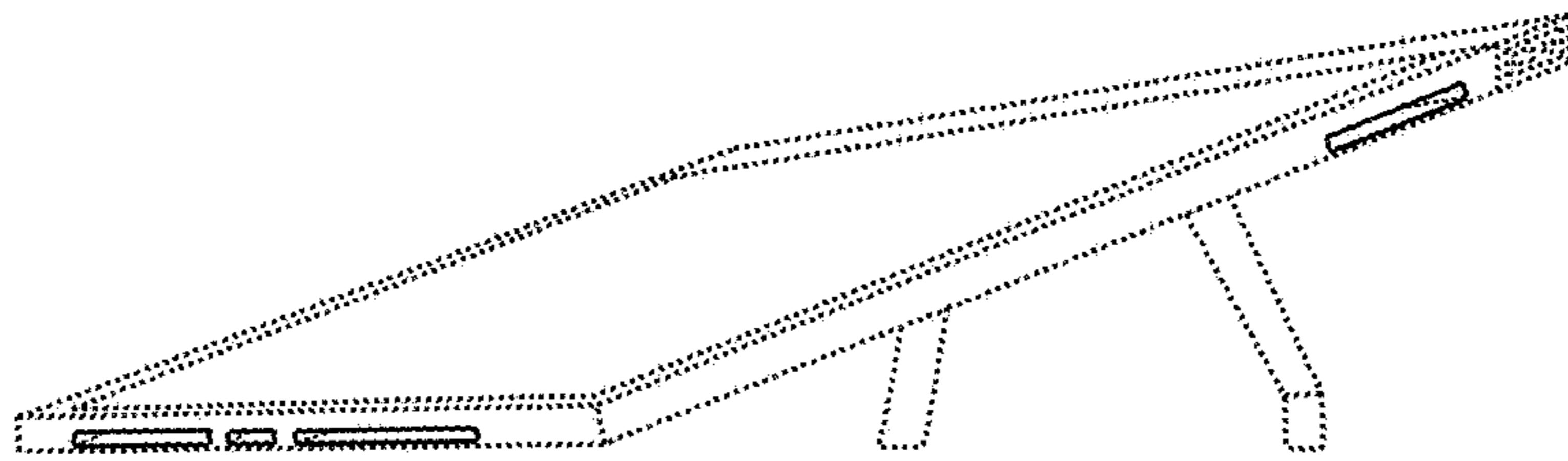


FIG. 5

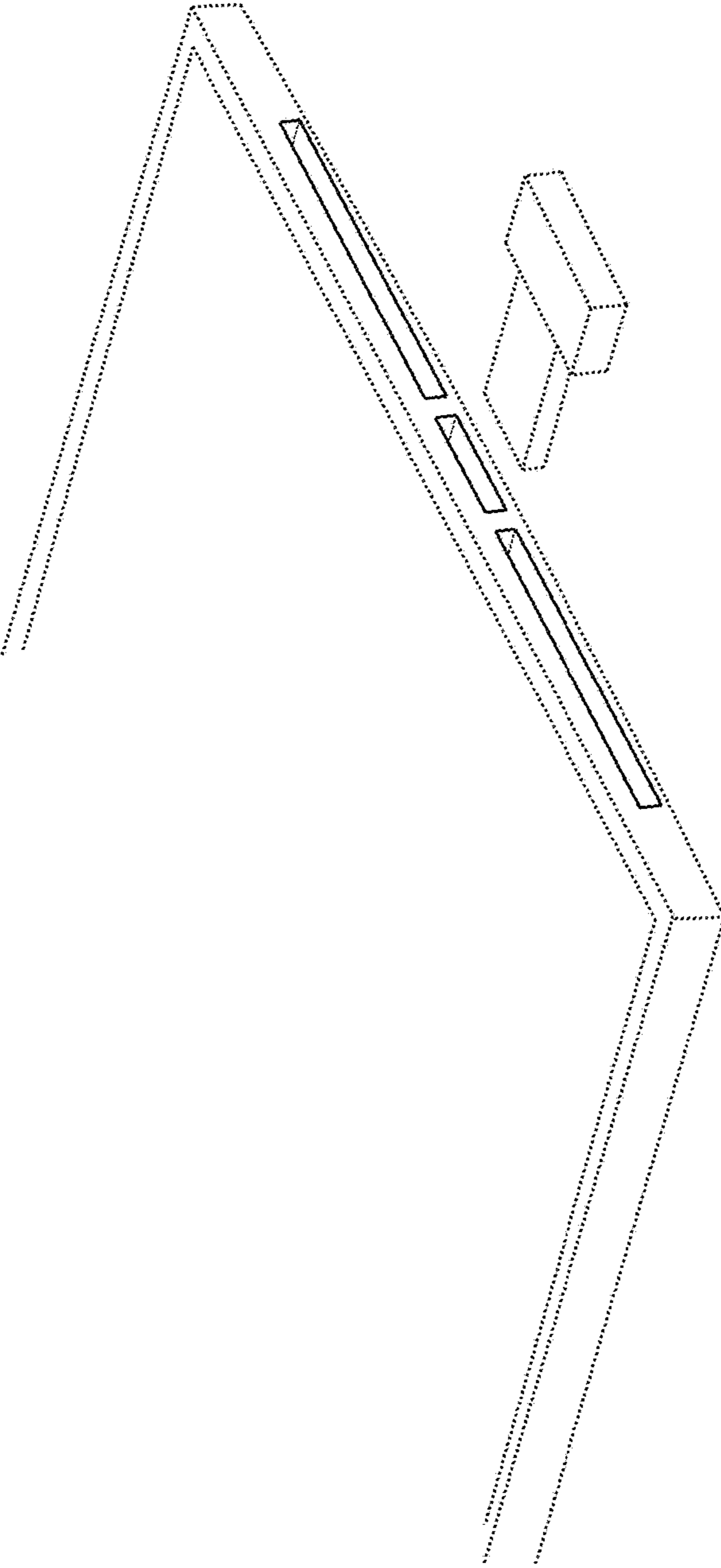


FIG. 6

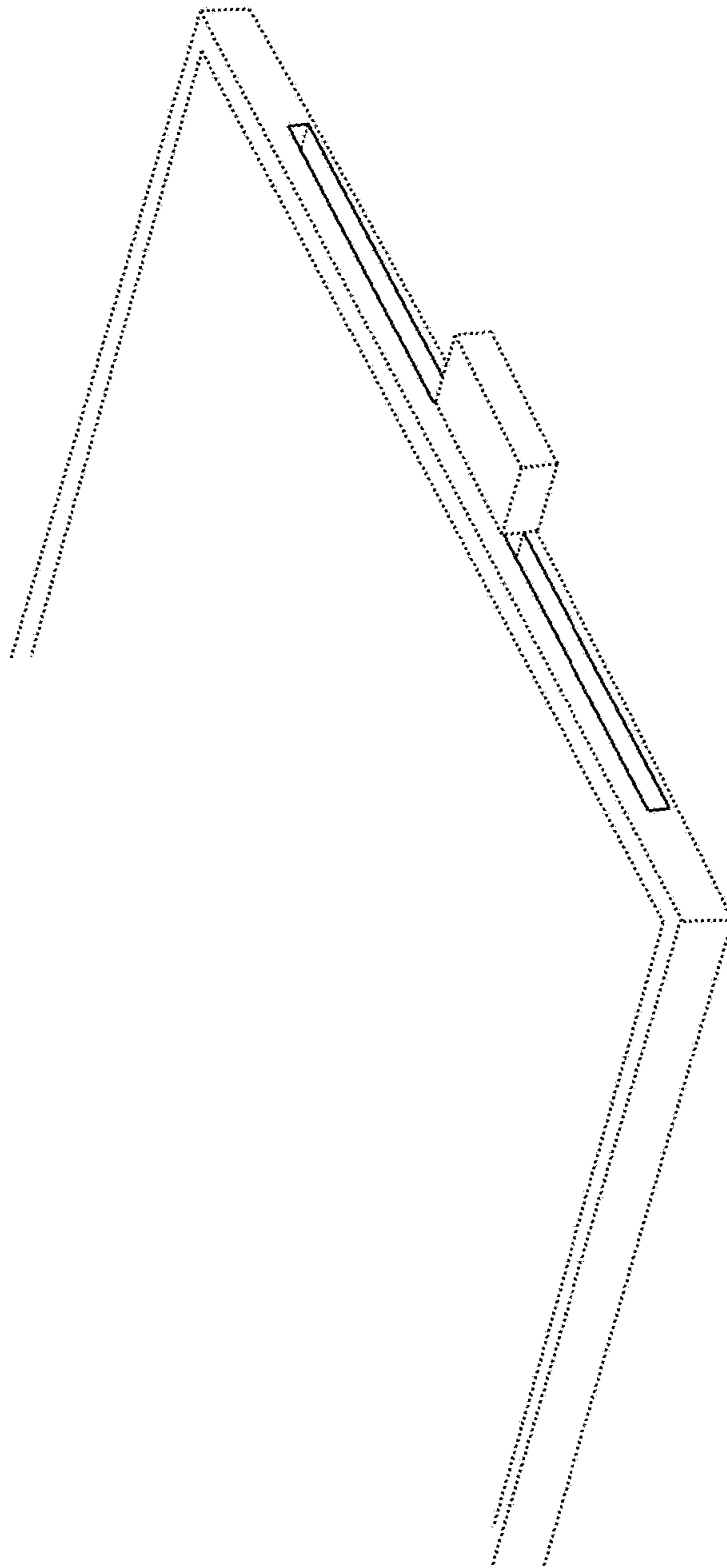


FIG. 7

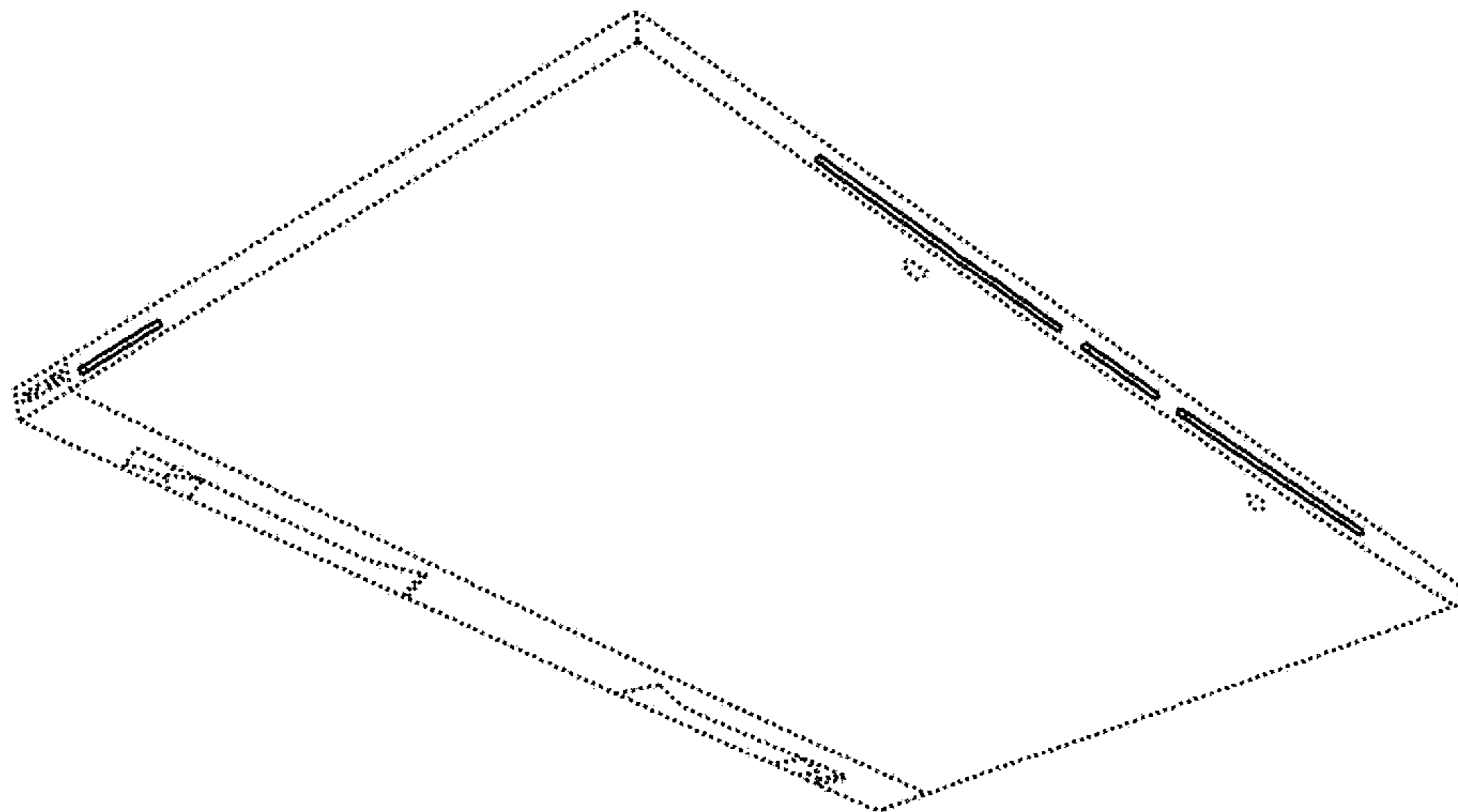


FIG. 8

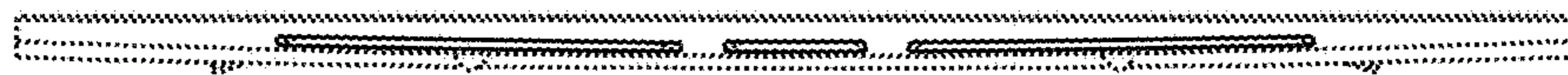


FIG. 9

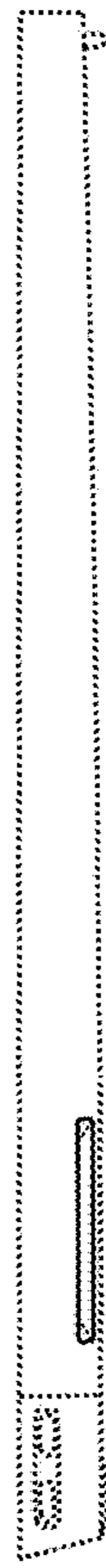


FIG. 10