



US00D854011S

(12) **United States Design Patent**
Ciprian

(10) **Patent No.:** **US D854,011 S**

(45) **Date of Patent:** **** Jul. 16, 2019**

(54) **ELECTRONIC COMMUNICATION DEVICE**

(71) Applicant: **ATHENA SPA**, Alonte (IT)

(72) Inventor: **Mirko Ciprian**, Padua (IT)

(73) Assignee: **Athena S.P.A.**, Alonte Vissenza (IT)

(**) Term: **15 Years**

(21) Appl. No.: **35/504,392**

(22) Filed: **Jan. 11, 2018**

(80) **Hague Agreement Data**

Int. Filing Date: **Jan. 11, 2018**

Int. Reg. No.: **DM/099288**

Int. Reg. Date: **Jan. 11, 2018**

Int. Reg. Pub. Date: **Feb. 2, 2018**

(30) **Foreign Application Priority Data**

Oct. 19, 2017 (EM) 004412310

(51) **LOC (11) Cl.** **14-99**

(52) **U.S. Cl.**
USPC **D14/358**; D12/114

(58) **Field of Classification Search**
USPC D14/496-498, 500-502, 509, 300-301,
D14/345, 358, 299; D10/74; D12/114
CPC H04B 1/06; H04B 1/086; H04B 1/38;
H04W 88/08; H04W 88/085; H04W
88/00; H04W 88/005; H04W 88/02;
H04W 88/12; H04W 88/14; H04W 88/16;
H04W 88/18; H04W 4/00; H04W 16/26;
H01Q 1/02; H01Q 1/2291; H01Q 1/246;
H01Q 1/42

See application file for complete search history.

(56) **References Cited**

U.S. PATENT DOCUMENTS

D334,897 S * 4/1993 Katz D10/98
D357,880 S * 5/1995 Ueda D10/98

D366,658 S * 1/1996 Fukutome D14/168
D377,645 S * 1/1997 Iwamoto D14/385
D425,889 S * 5/2000 Yuyama D14/510
D434,749 S * 12/2000 Ito D14/168
D439,897 S * 4/2001 Williams D14/345
D456,373 S * 4/2002 Usami D14/129
D476,636 S * 7/2003 Ota D14/500
6,606,281 B2 * 8/2003 Cowgill G11C 7/16
369/11
D521,524 S * 5/2006 Chang D14/496
D538,787 S * 3/2007 Tsai D14/209.1
D539,780 S * 4/2007 Lee D14/500
D540,775 S * 4/2007 Zhang D14/168
D540,815 S * 4/2007 Zhang D14/496
D544,881 S * 6/2007 Yang D14/496

(Continued)

OTHER PUBLICATIONS

JP-D1113365, posted at Orbit, publication date Jul. 3, 2001. [Site visited Oct. 26, 2018] Available from Internet. (Year: 2001).*

(Continued)

Primary Examiner — George D. Kirschbaum

Assistant Examiner — Kathleen L Jones

(74) *Attorney, Agent, or Firm* — Workman Nydegger

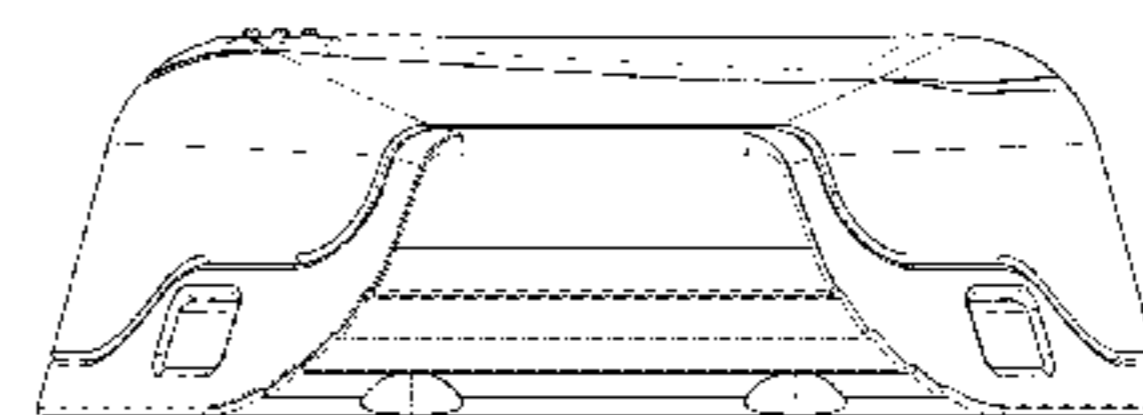
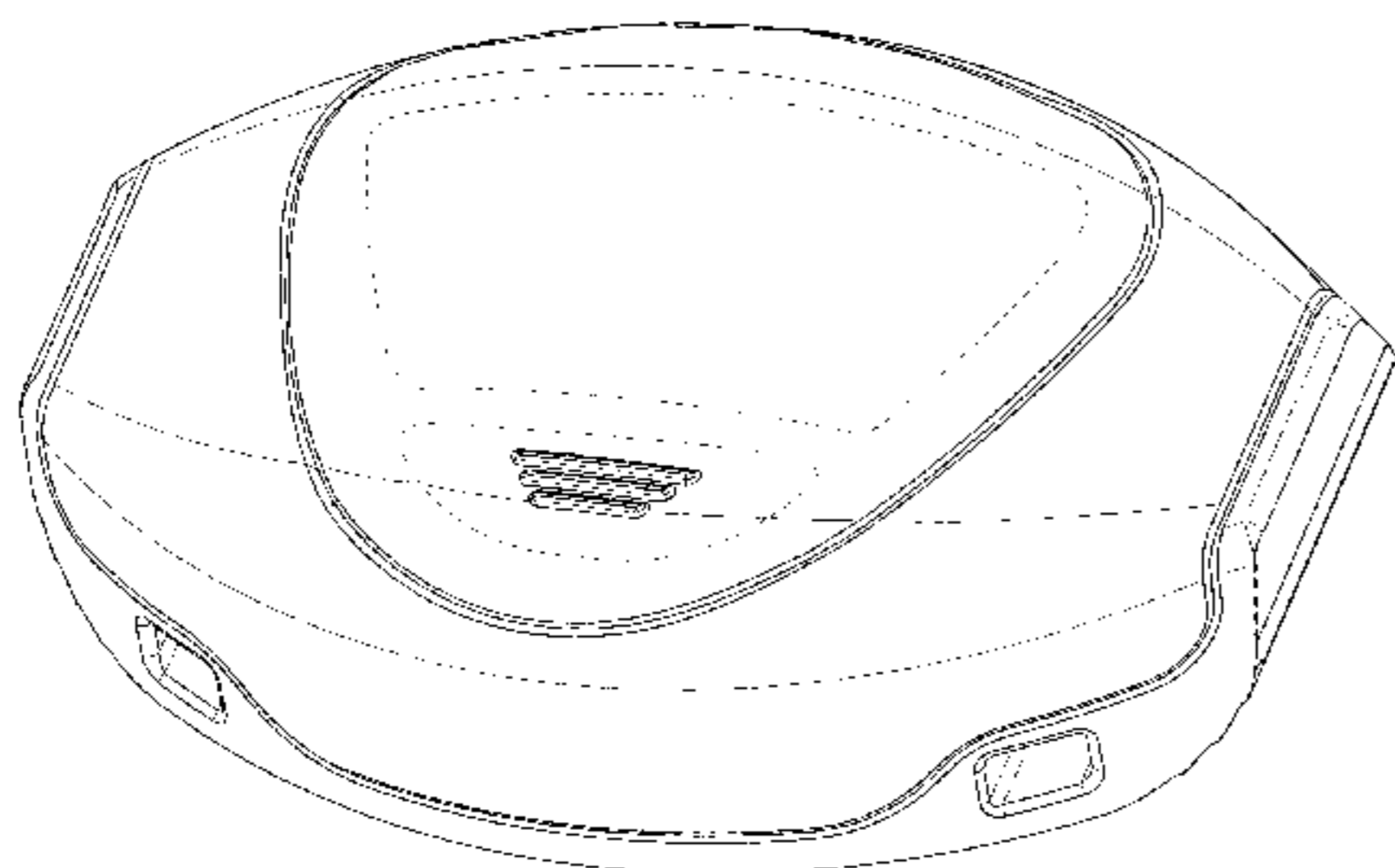
(57) **CLAIM**

The ornamental design for an electronic communication device, as shown and described.

DESCRIPTION

1. Electronic communication device
1.1 is a perspective view of an electronic communication device.
1.2 is a top plan view thereof.
1.3 is a front elevation view thereof.
1.4 is a side elevation view thereof; and,
1.5 is a bottom plan view thereof.
The broken lines showing portions of the electronic communication device are included for the purpose of illustration only and form no part of the claimed design.

1 Claim, 5 Drawing Sheets



(56)

References Cited

U.S. PATENT DOCUMENTS

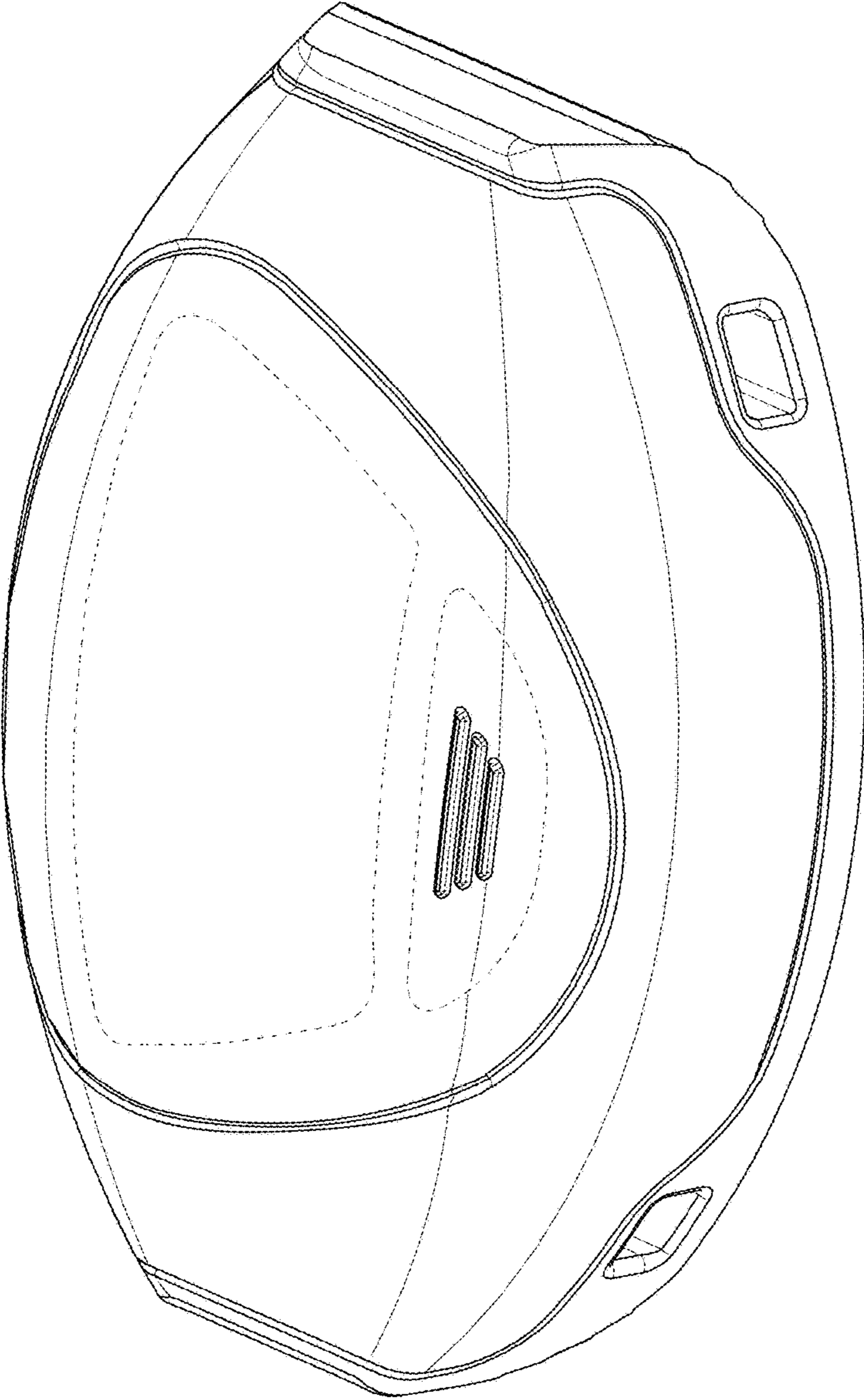
D547,326 S * 7/2007 Ho D14/496
 D548,247 S * 8/2007 Lee D14/159
 D549,196 S * 8/2007 Gautier D14/501
 D554,614 S * 11/2007 Lin D14/509
 D567,818 S * 4/2008 Zhang D14/496
 D569,390 S * 5/2008 Lee D14/496
 D585,078 S * 1/2009 Walton D14/496
 D598,449 S * 8/2009 Landry D14/358
 D612,865 S * 3/2010 Zhang D14/496
 D626,529 S * 11/2010 Lam D14/168
 D637,994 S * 5/2011 Chae D14/168
 D655,306 S * 3/2012 McKenzie D14/203.3
 D698,738 S * 2/2014 Baggio D13/168
 D699,758 S * 2/2014 Lavin D14/496
 D721,349 S * 1/2015 Sugai D14/159
 D732,530 S * 6/2015 Hermansson D14/358
 D784,982 S * 4/2017 Alberola D10/74
 D821,393 S * 6/2018 Matsumiya D14/358
 D825,557 S * 8/2018 Matsumiya D14/358

D828,342 S * 9/2018 Chen D14/240
 2005/0045501 A1 * 3/2005 Briggs G11B 33/0427
 206/308
 2005/0249069 A1 * 11/2005 Aoki G11B 17/0405
 369/47.1

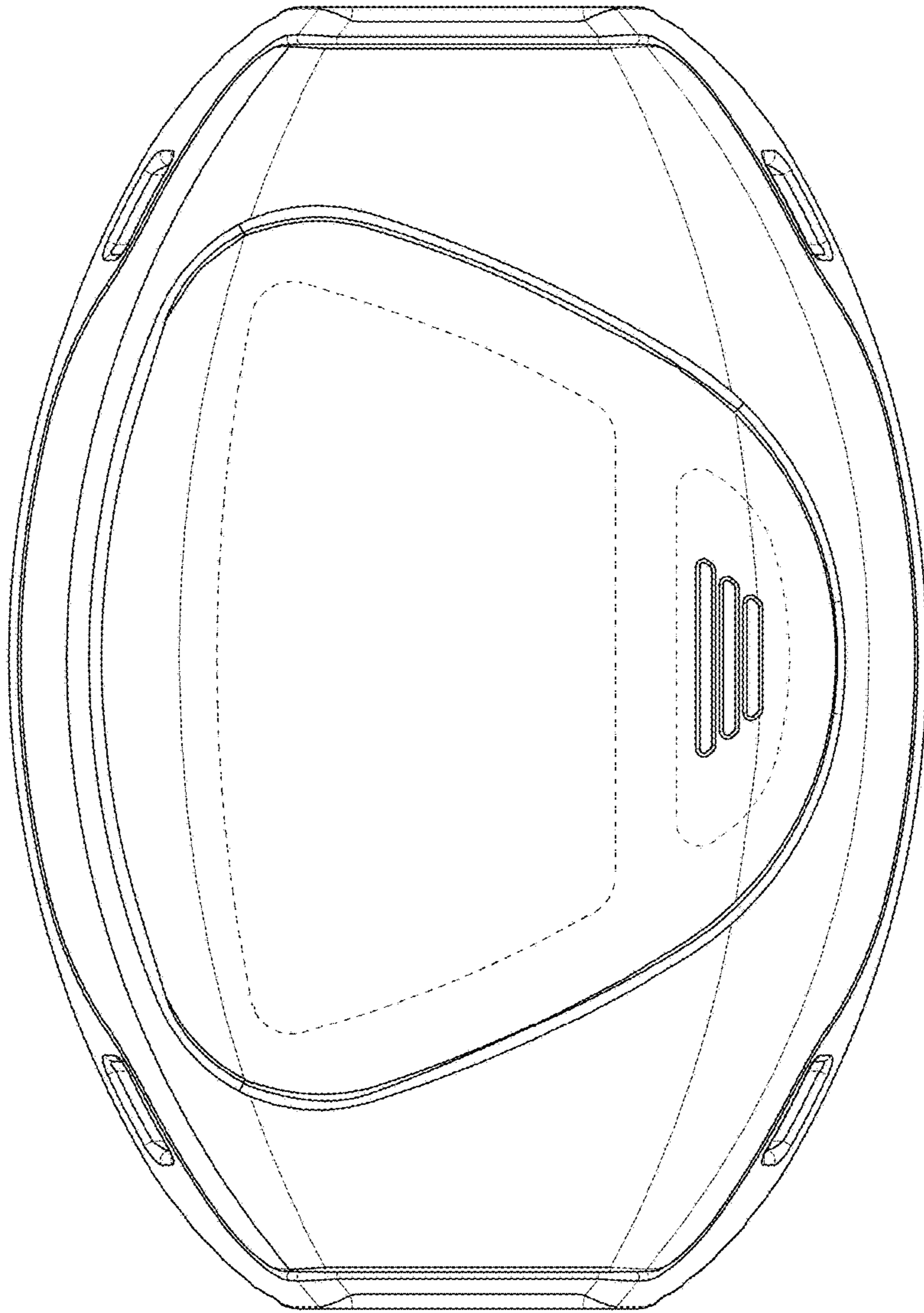
OTHER PUBLICATIONS

RU-00078143, posted at Orbit, publication date Apr. 16, 2011. [Site visited Oct. 26, 2018] Available from Internet. (Year: 2011).*
 RU-00083005, posted at Orbit, publication date Sep. 16, 2012. [Site visited Oct. 26, 2018] Available from Internet. (Year: 2012).*
 Wholesale—Cd Player, posted at WellPromo, posting date Nov. 13, 2013. [Site visited Oct. 26, 2018]. Available from Internet. URL: <<https://web.archive.org/web/20131113115622/http://www.wellpromo.com/Wholesale/CDs/Cd-Player-230322.htm>> (Year: 2013).*
 Stenson, Matt, MTB Crash Detection: Two New Products, posted at MTB, posting date Nov. 29, 2018. Site visited Mar. 27, 2019. URL: <<https://everydaymtb.com/mtb-crash-detection-two-new-products/>> (Year: 2018).*

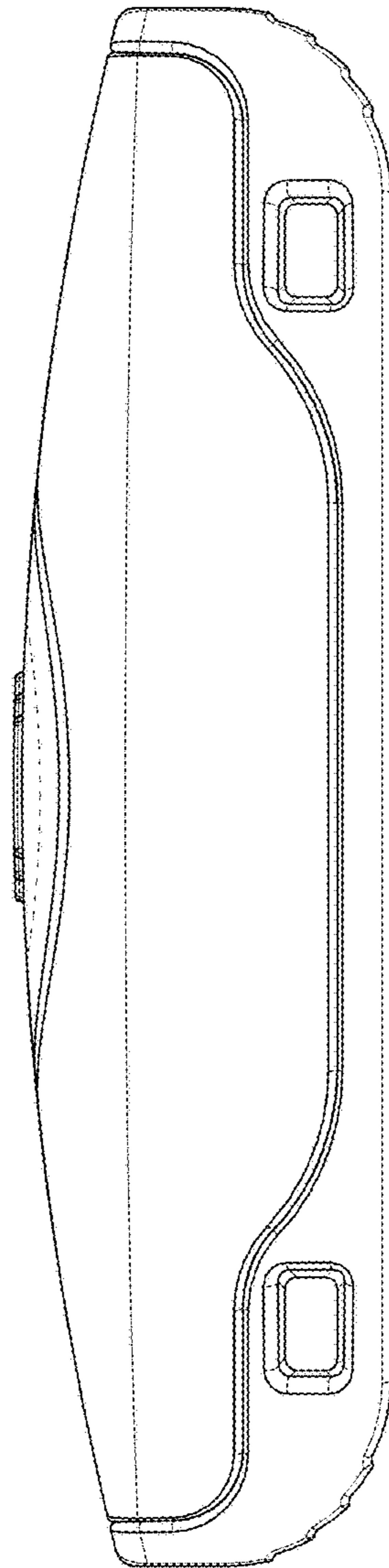
* cited by examiner



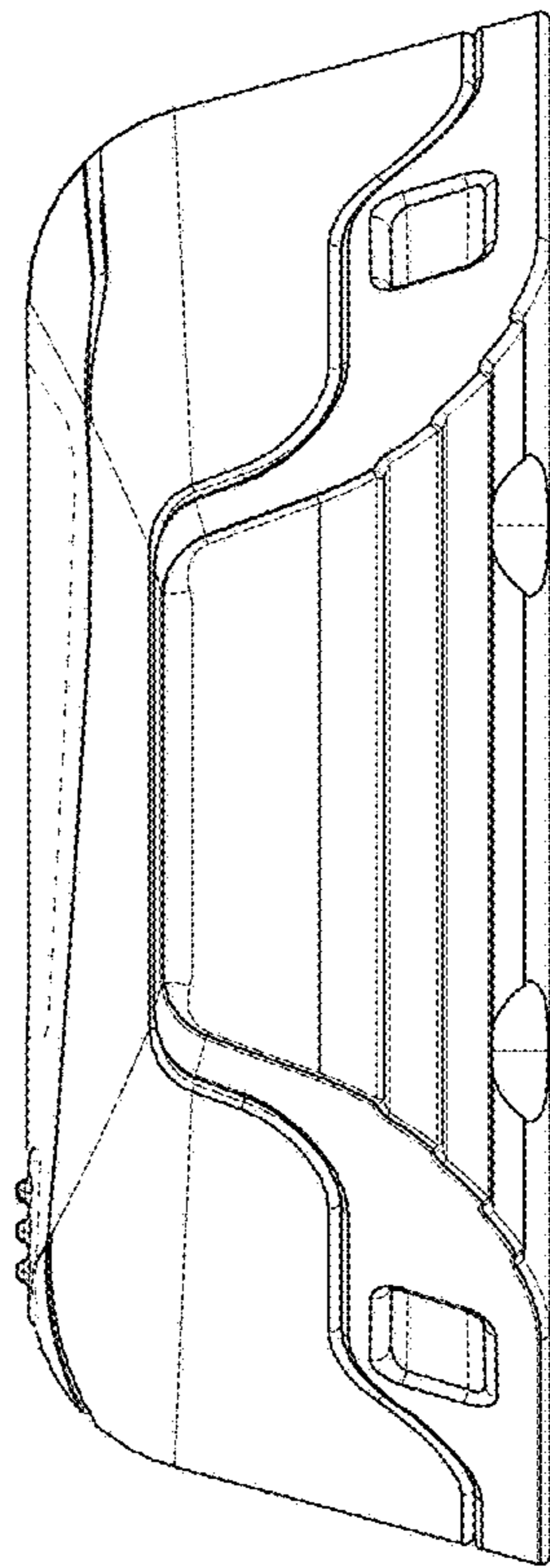
1.1



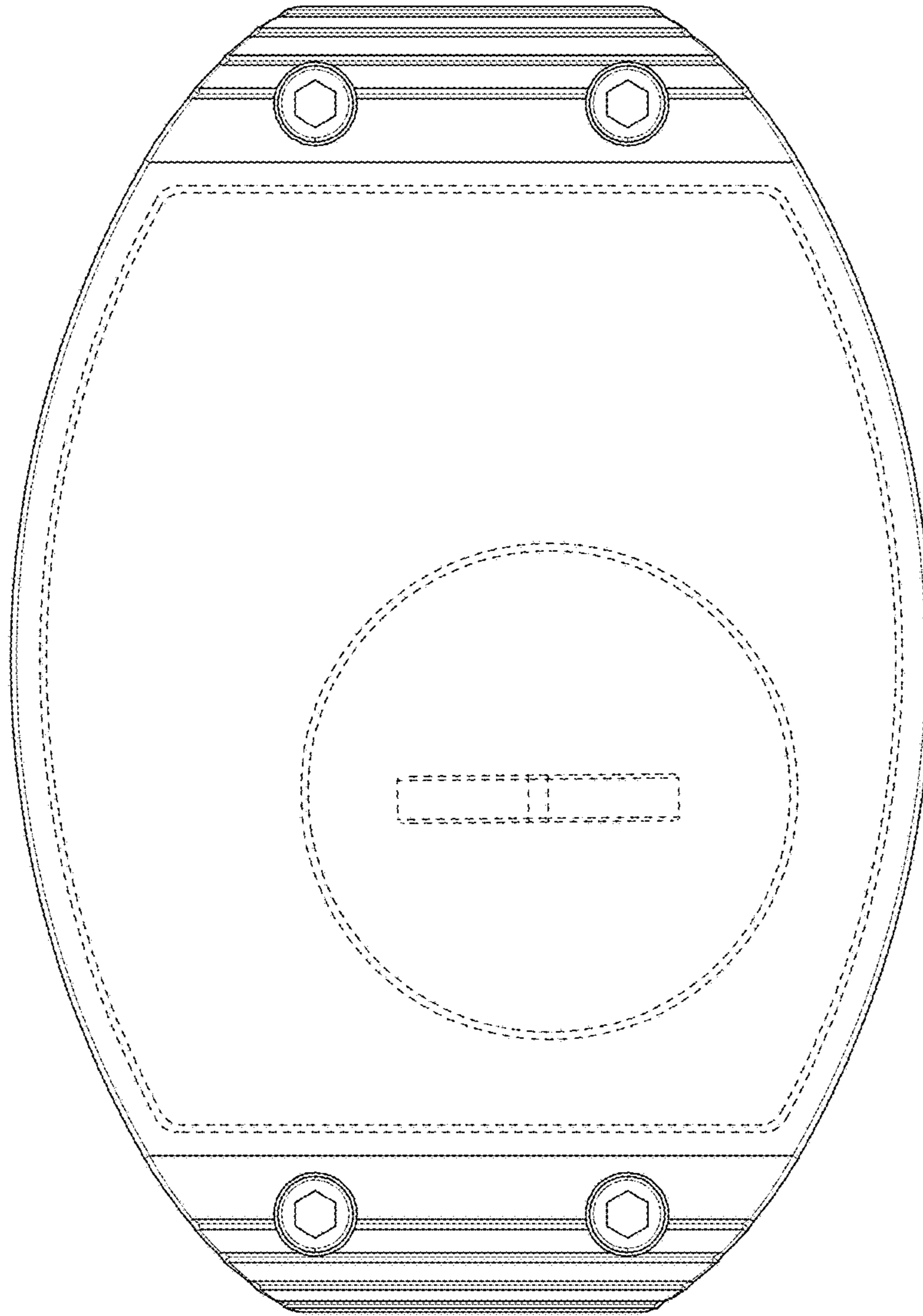
1.2



1.3



1.4



1.5