



US00D854009S

(12) **United States Design Patent** (10) **Patent No.:** **US D854,009 S**
Moon et al. (45) **Date of Patent:** **** Jul. 16, 2019**

(54) **MONITOR**
(71) Applicant: **LG ELECTRONICS INC., Seoul (KR)**
(72) Inventors: **Yihyun Moon, Seoul (KR); Sungjoo Kim, Seoul (KR); Gangho Woo, Seoul (KR)**
(73) Assignee: **LG ELECTRONICS INC., Seoul (KR)**
(**) Term: **15 Years**
(21) Appl. No.: **35/504,058**
(22) Filed: **May 26, 2017**

D698,351 S * 1/2014 Jasinski D14/336
D700,603 S * 3/2014 Chen D14/336
D709,843 S * 7/2014 Inoue D14/126
D725,649 S * 3/2015 Pak D14/336
D727,893 S * 4/2015 Lee D14/336
D728,558 S * 5/2015 Lee D14/336
D742,343 S * 11/2015 Moon D14/126
D753,616 S * 4/2016 Sung D14/126
D754,087 S * 4/2016 Ryu D14/126
D754,621 S * 4/2016 Dai D14/126
D768,592 S * 10/2016 Lee D14/126
D769,207 S * 10/2016 Won D14/126
D786,836 S * 5/2017 Leabman D14/126
D791,763 S * 7/2017 Akana D14/336
D805,511 S * 12/2017 Sun D14/336
D806,069 S * 12/2017 Peng D14/336
D810,816 S * 2/2018 Chen D18/4.4
D811,472 S * 2/2018 Chen D18/4.4
D820,230 S * 6/2018 Cha D14/126
D820,231 S * 6/2018 Cha D14/126

(Continued)

(80) **Hague Agreement Data**

Int. Filing Date: **May 26, 2017**
Int. Reg. No.: **DM/096326**
Int. Reg. Date: **May 26, 2017**
Int. Reg. Pub. Date: **Dec. 1, 2017**

Primary Examiner — Melanie H Tung
Assistant Examiner — Bao-Yen T Nguyen
(74) *Attorney, Agent, or Firm* — Birch, Stewart, Kolasch & Birch, LLP

(30) **Foreign Application Priority Data**

Nov. 28, 2016 (KR) 30-2016-0057367

(51) **LOC (11) Cl.** **14-02**

(52) **U.S. Cl.**
USPC **D14/336**

(58) **Field of Classification Search**
USPC D14/125–134, 136, 159, 239, 336, 342, D14/371, 374–377, 440, 448, 450; D21/329, 515, 577, 622
CPC ... G06F 1/1601; G06F 1/1643; H05K 5/0004; H05K 5/0017; H05K 5/02; H05K 5/0217
See application file for complete search history.

(56) **References Cited**

U.S. PATENT DOCUMENTS

D610,138 S * 2/2010 Andre D14/336
D621,830 S * 8/2010 Andre D14/336

(57) **CLAIM**

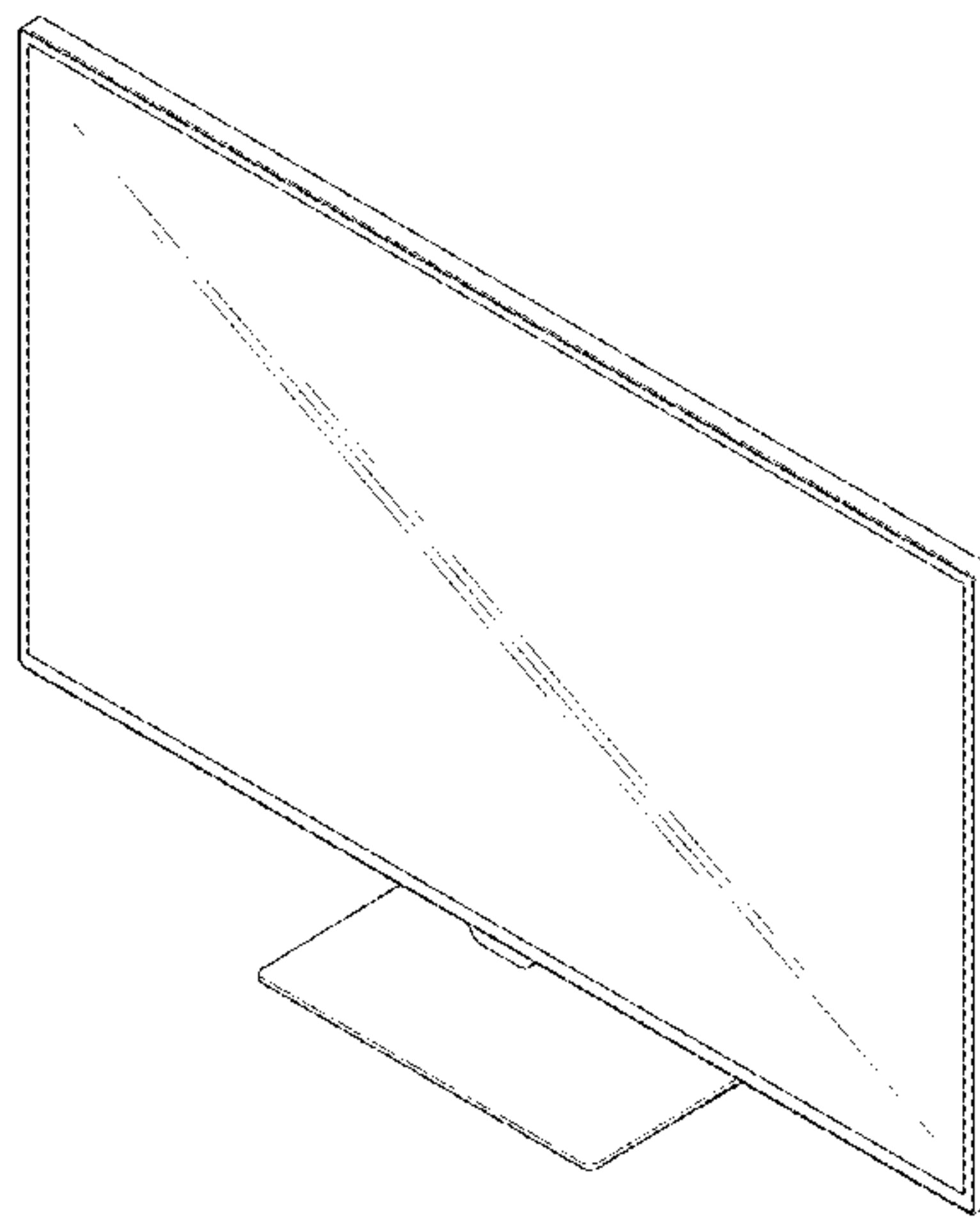
The ornamental design for a monitor, as shown and described.

DESCRIPTION

- 1. Monitor
- 1.1 : Perspective
- 1.2 : Front
- 1.3 : Back
- 1.4 : Left
- 1.5 : Right
- 1.6 : Top
- 1.7 : Bottom

The broken lines illustrate portions of the article and form no part of the claimed design.

1 Claim, 6 Drawing Sheets



(56)

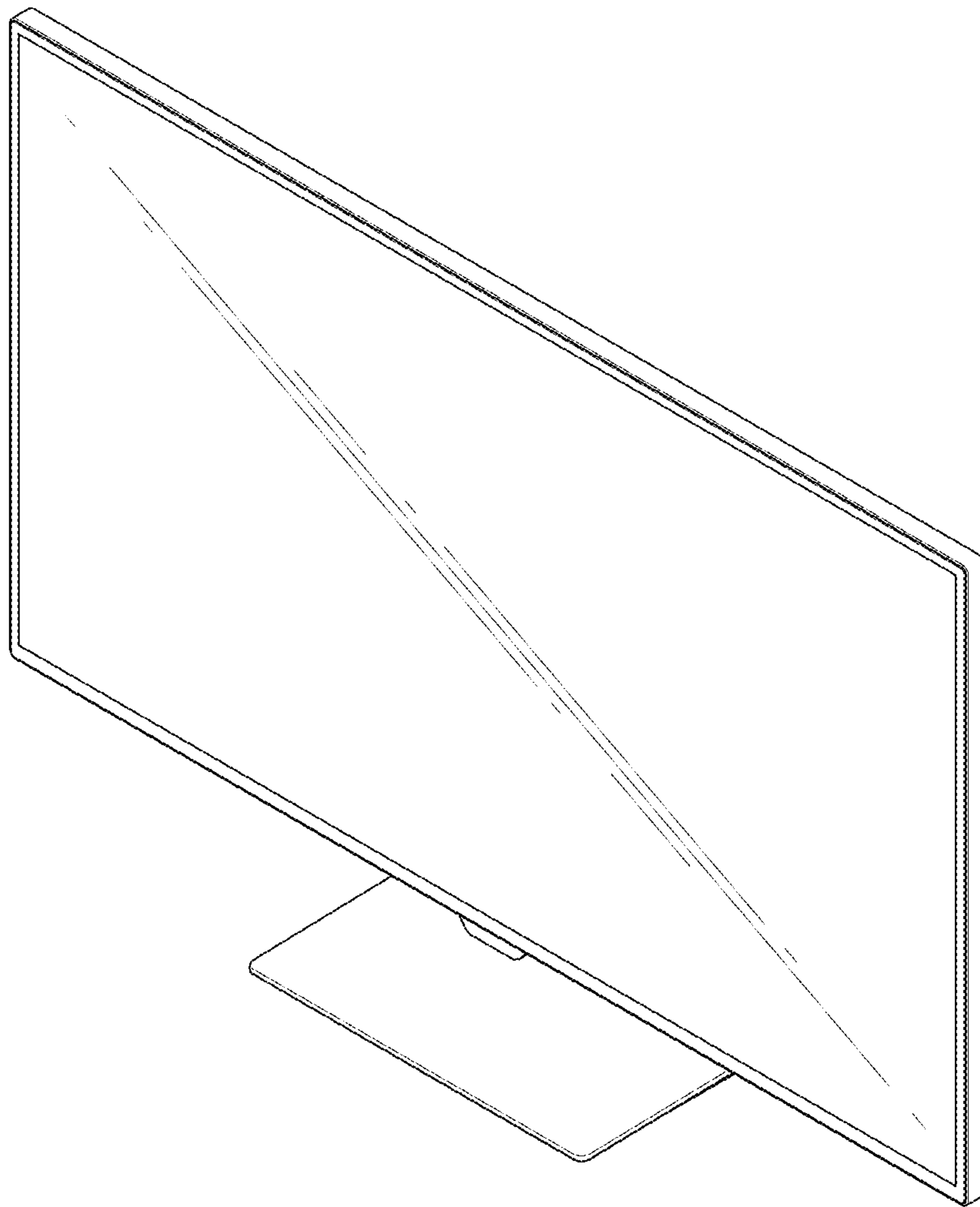
References Cited

U.S. PATENT DOCUMENTS

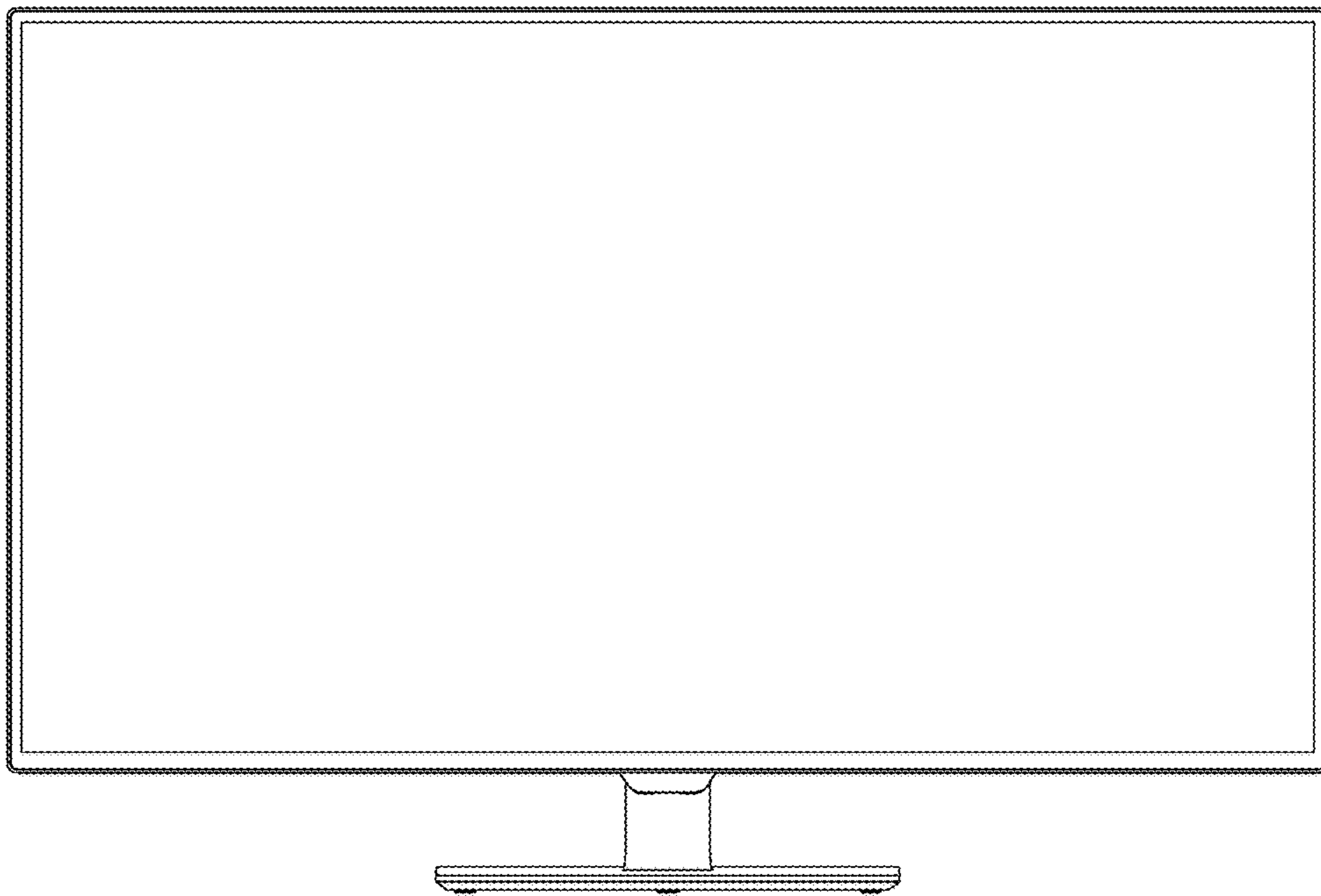
2002/0020792 A1* 2/2002 Lee F16M 11/10
248/278.1
2006/0076463 A1* 4/2006 Drew F16M 11/041
248/121
2006/0237599 A1* 10/2006 Ternus F16M 11/10
248/176.1

* cited by examiner

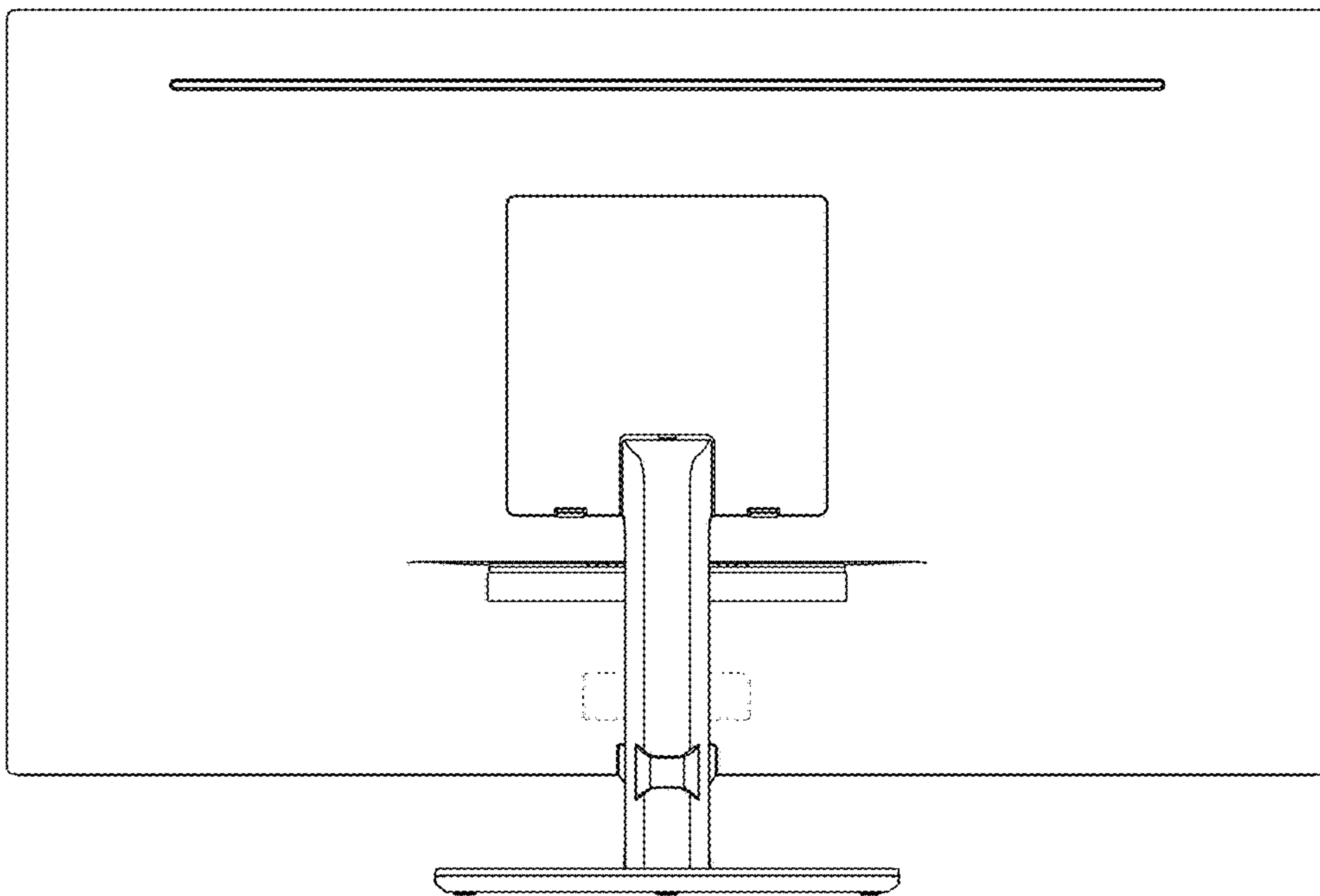
1.1



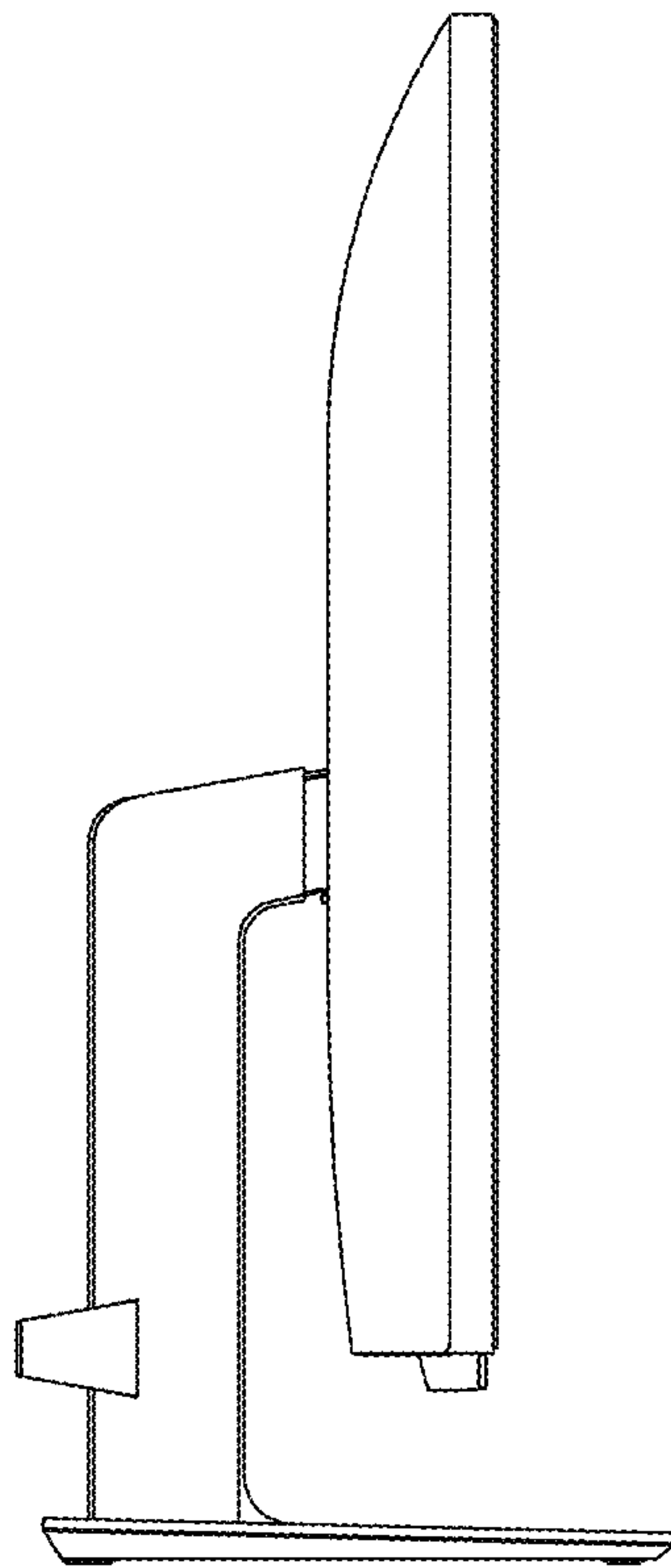
1.2



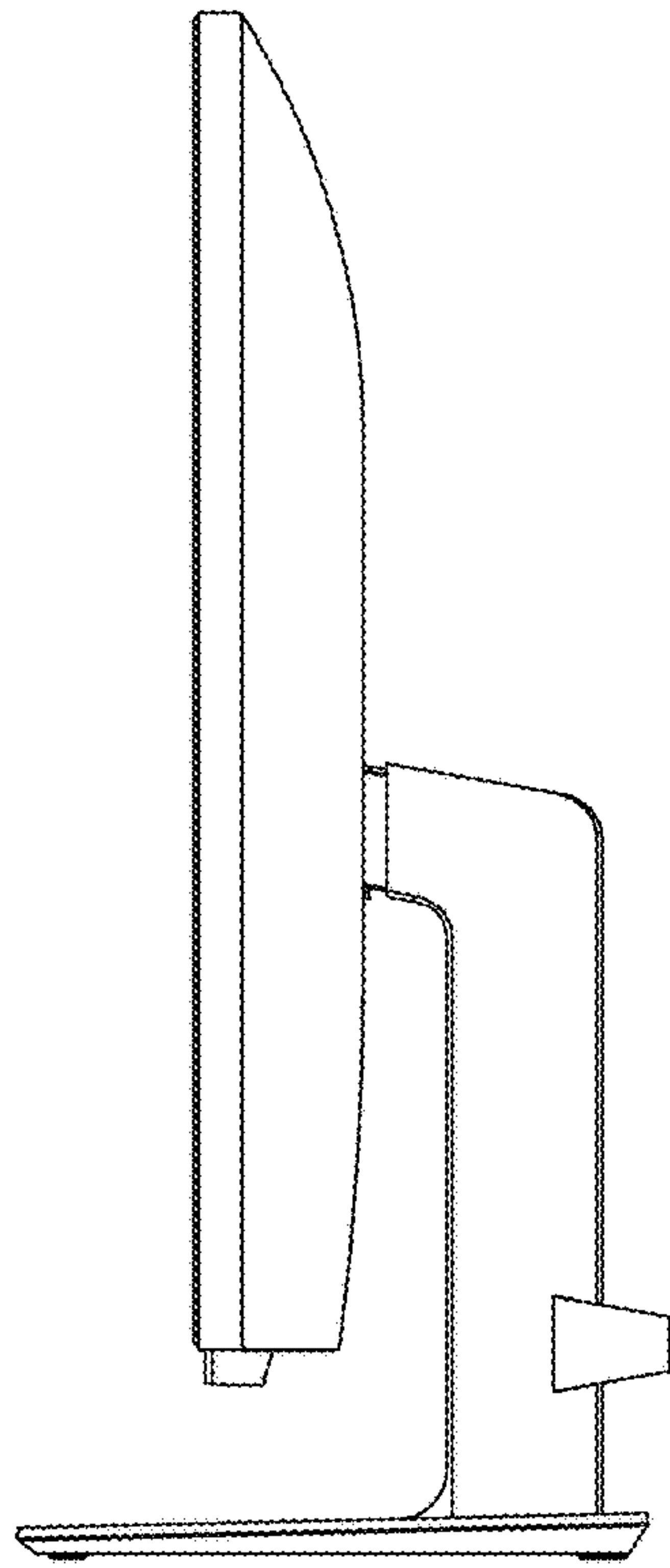
1.3



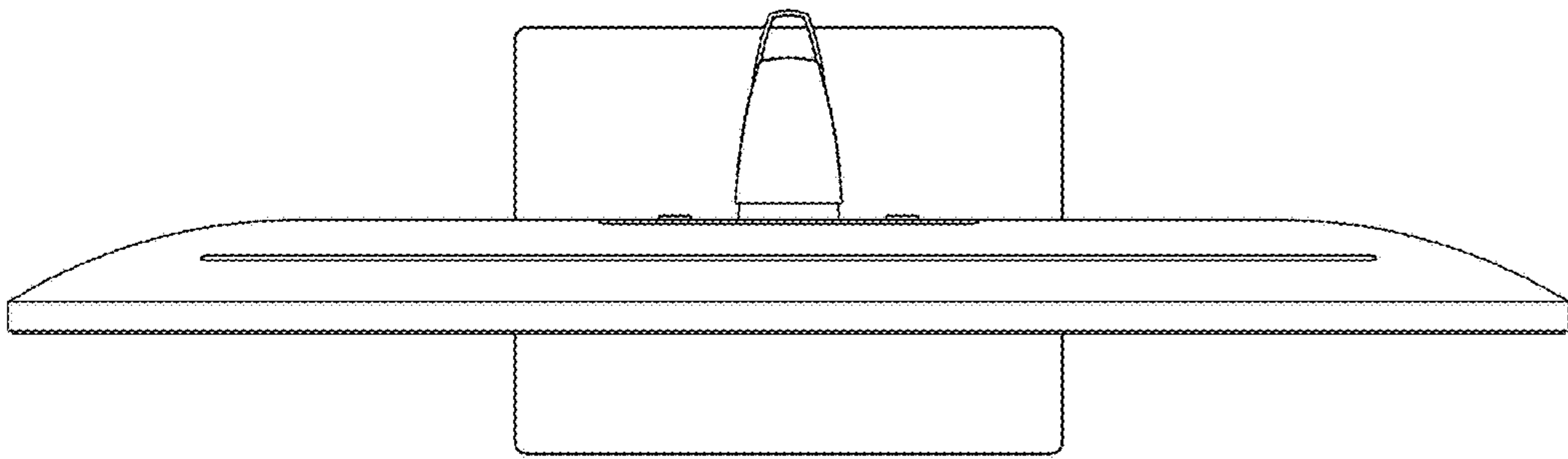
1.4



1.5



1.6



1.7

