

US00D854007S

(12) **United States Design Patent**
Li et al.

(10) **Patent No.:** **US D854,007 S**
(45) **Date of Patent:** **** Jul. 16, 2019**

(54) **FRONT PANEL FOR VIDEO RECORDER**

(71) Applicant: **Honeywell International Inc.,**
Morristown, NJ (US)

(72) Inventors: **Yun Li**, Shanghai (CN); **Dezhi Yang**,
Shanghai (CN); **Jie-Andrew Chen**,
Shanghai (CN)

(73) Assignee: **Honeywell International Inc.**, Morris
Plains, NJ (US)

(**) Term: **15 Years**

(21) Appl. No.: **29/599,414**

(22) Filed: **Apr. 3, 2017**

(51) **LOC (11) Cl.** **14-03**

(52) **U.S. Cl.**
USPC **D14/257**

(58) **Field of Classification Search**
USPC D14/496, 401, 435, 474, 483, 217, 137,
D14/138, 160, 168, 356, 203.1–203.8,
D14/507; 345/156, 169, 173–179, 905;
715/727–729, 864; 710/1, 5, 8; 713/1,
713/600; 455/1.1, 1.7, 73, 344–347, 93,
455/95, 3.01–3.06, 550.1, 573.1
CPC G11B 5/00
See application file for complete search history.

(56) **References Cited**

U.S. PATENT DOCUMENTS

D373,589 S *	9/1996	Peterson	D13/177
D447,134 S *	8/2001	Kiai	D14/257
D469,428 S *	1/2003	Senda	D14/167
D510,346 S *	10/2005	Hsu	D14/257
D540,787 S *	4/2007	Potosky	D14/257
D559,240 S *	1/2008	Paradise	D14/257
D559,241 S *	1/2008	Paradise	D14/257
D578,975 S	10/2008	Mochizuki et al.		
D613,732 S *	4/2010	Uchiyama	D14/257
D640,250 S *	6/2011	Kusuki	D14/257

D640,683 S *	6/2011	Kawano	D14/257
D646,676 S *	10/2011	Hancock	D14/257
D649,147 S *	11/2011	Siegel	D14/257
D654,070 S *	2/2012	Silva	D14/257
D676,846 S *	2/2013	Harrington	D14/257
D695,260 S *	12/2013	Teulie	D14/188
D710,821 S *	8/2014	Marklund	D14/188

(Continued)

OTHER PUBLICATIONS

Lion Girl Electronics, CCTV DVR 8 Channel D1 DVR Digital Video Recorder 8CH DVR System H.264 Security Home <https://www.aliexpress.com/store/product/CCTV-DVR-8-Channel-D1-DVR-Digital-Video>, accessed electronically on Mar. 9, 2017.

(Continued)

Primary Examiner — Austin Murphy

(74) *Attorney, Agent, or Firm* — Seager, Tufte & Wickhem LLP

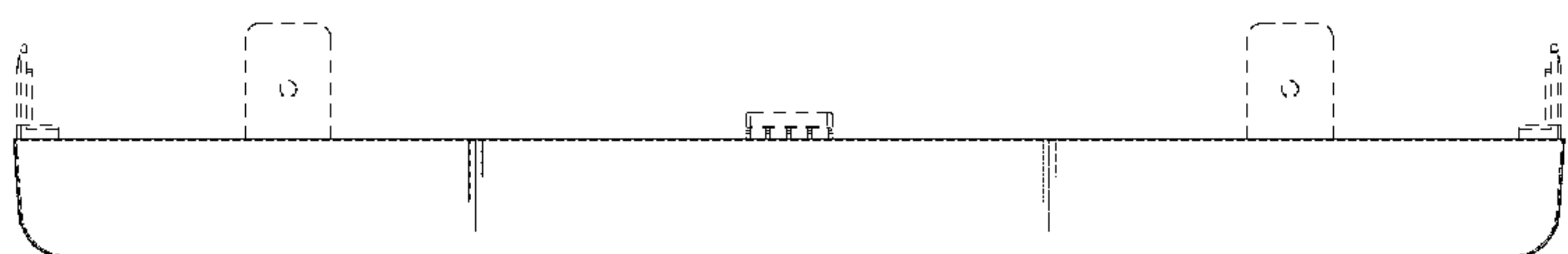
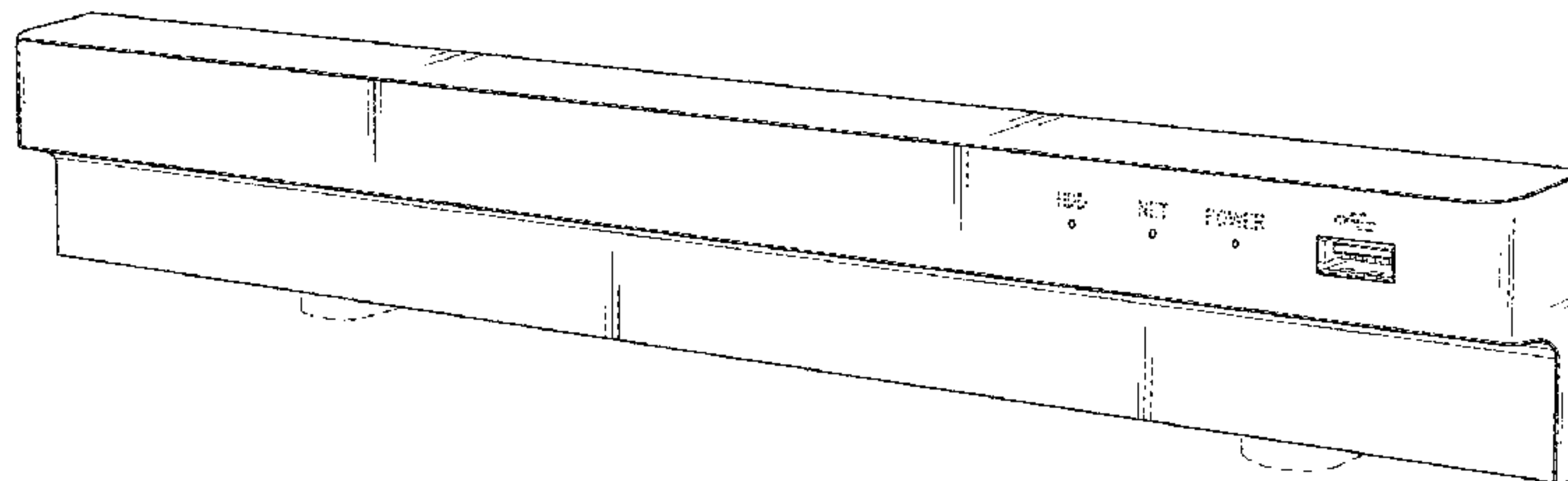
(57) **CLAIM**

The ornamental design for a front panel for a video recorder, as shown and described.

DESCRIPTION

FIG. 1 is a first perspective view of the front panel for a video recorder;
FIG. 2 is a second perspective view thereof;
FIG. 3 is a front elevation view thereof;
FIG. 4 is a right side elevation view of the front panel for a video recorder, the opposing side view being a mirror image thereof;
FIG. 5 is a top plan view thereof; and,
FIG. 6 is a bottom plan view thereof.
The broken lines in the drawings depict subject matter that is hereby disclaimed and forms no part of the claimed design. The rear view of the front panel for a video recorder illustrated in FIGS. 1-6 is hereby disclaimed and forms no part of the claimed design.

1 Claim, 4 Drawing Sheets



(56)

References Cited

U.S. PATENT DOCUMENTS

D760,215 S * 6/2016 Yagi D14/257
D768,108 S * 10/2016 Ravat D14/203.1

OTHER PUBLICATIONS

LTV Europe Security Solutions, 16 Channel Plug&Play PoE NVR with 2TB HDD, LTV-NVR-1660, www.ltv.cctv.eu, accessed electronically on Mar. 9, 2017.

* cited by examiner

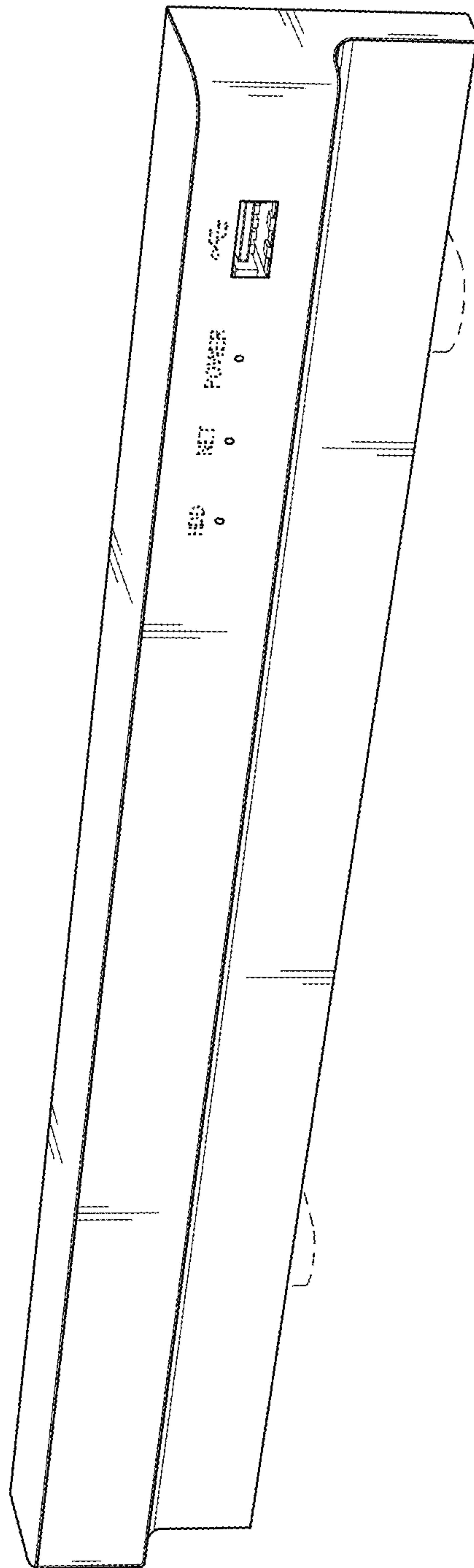


FIG. 1

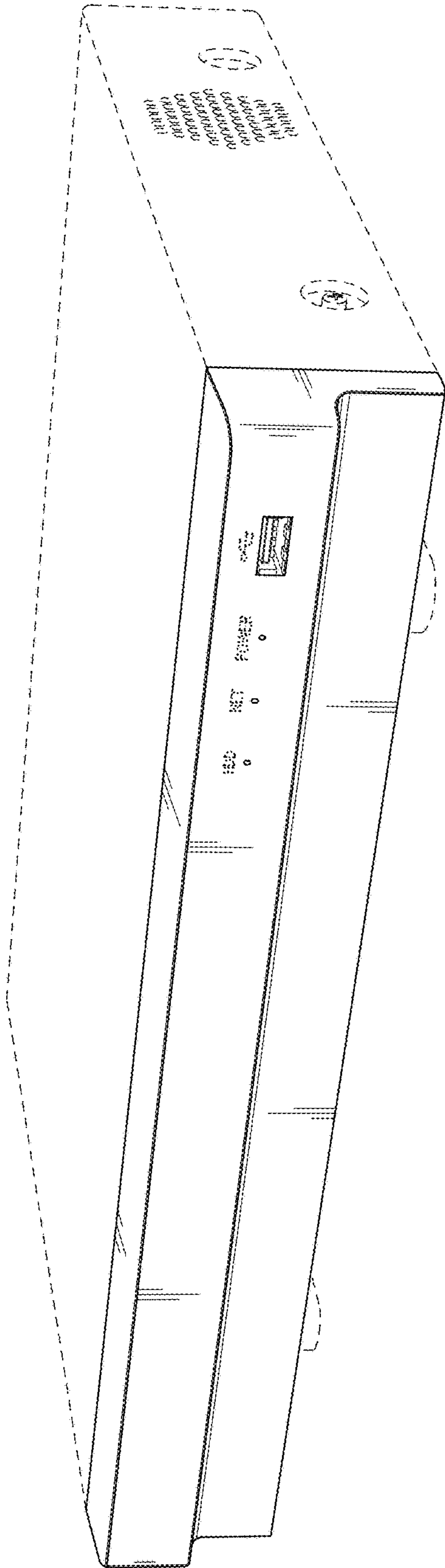


FIG. 2

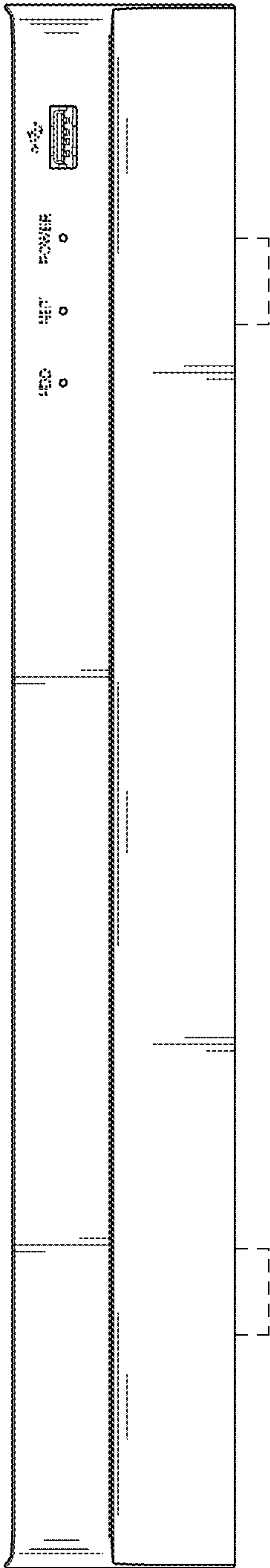


FIG. 3

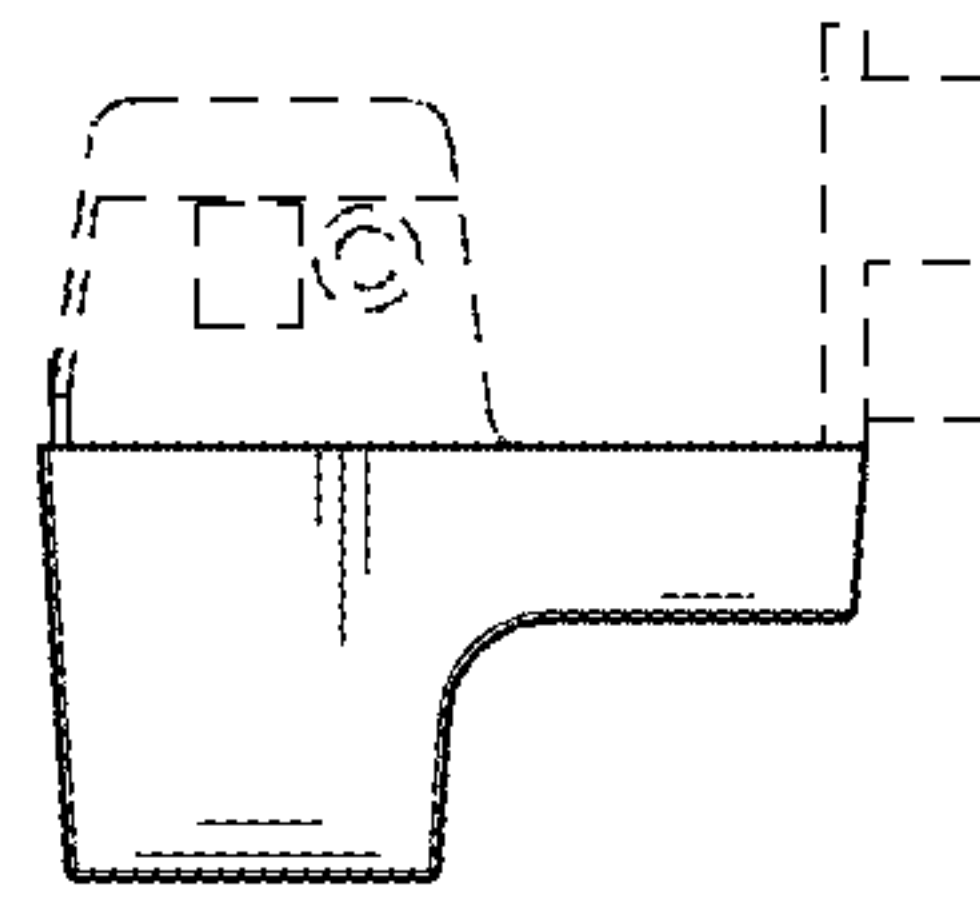


FIG. 4

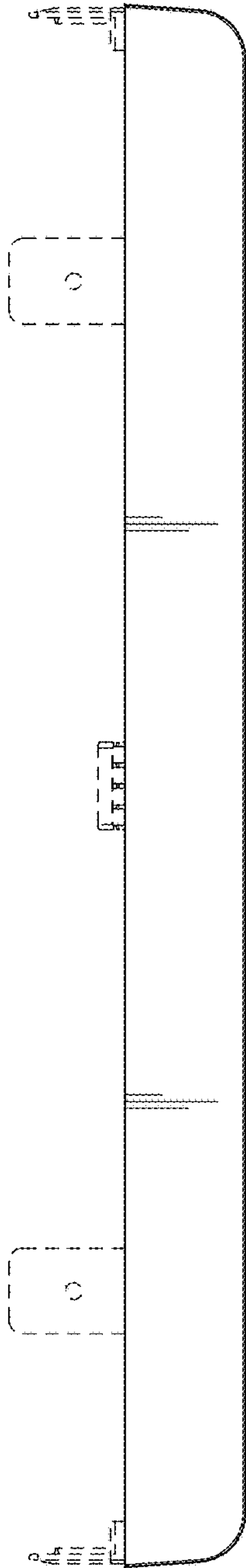


FIG. 5

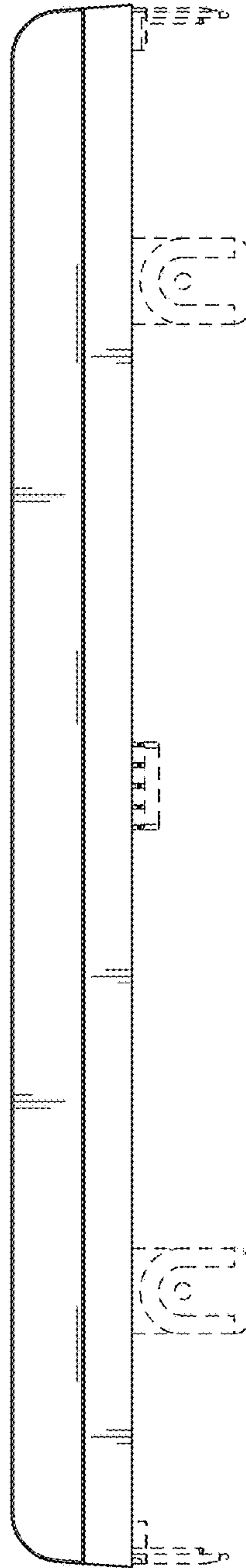


FIG. 6