



US00D854006S

(12) **United States Design Patent**  
**Wang et al.**

(10) **Patent No.:** **US D854,006 S**  
(45) **Date of Patent:** **\*\* Jul. 16, 2019**

(54) **MOBILE PHONE STAND**

(71) Applicant: **AUTEL ROBOTICS CO., LTD.**,  
Shenzhen (CN)

(72) Inventors: **Yongshuai Wang**, Shenzhen (CN);  
**Juntian Jiang**, Shenzhen (CN)

(73) Assignee: **AUTEL ROBOTICS CO., LTD.**,  
Shenzhen, Guangdong (CN)

(\*\*) Term: **15 Years**

(21) Appl. No.: **29/643,592**

(22) Filed: **Apr. 10, 2018**

(30) **Foreign Application Priority Data**

Oct. 27, 2017 (CN) ..... 2017 3 0519184

(51) **LOC (11) Cl.** ..... **14-03**

(52) **U.S. Cl.**  
USPC ..... **D14/253**

(58) **Field of Classification Search**  
USPC ..... D14/251–253, 447, 451, 452, 440, 434,  
D14/458, 432, 439, 457, 460, 238.1, 140,  
D14/142, 149, 217, 148, 140.8, 140.11,  
D14/209.1, 151, 140.9, 250, 238;  
D13/107, 108; D12/415, 223, 114, 420,  
D12/417, 407, 177; D3/218, 215;  
D16/242–245, 250, 237, 203, 214, 219;  
D6/675, 672, 673, 675.4, 553, 676, 310,  
D6/406.3, 406.4, 406.5, 406.6, 407, 567,  
D6/300, 682.3; 248/459, 460; 224/483  
CPC ..... F16M 11/00; F16M 11/04; F16M 11/041;  
F16M 11/02; F16M 11/06; F16M 13/00;  
H04M 1/02; H04M 1/04; H04M 1/11;  
H04M 1/12; A47F 7/022; B62J 11/00;  
H05K 7/00; G03B 17/56

See application file for complete search history.

(56) **References Cited**

U.S. PATENT DOCUMENTS

D650,774 S *	12/2011	Molter .....	D14/239
D664,952 S *	8/2012	Richter .....	D14/253
D733,115 S *	6/2015	Aspinall .....	D14/253
D744,473 S *	12/2015	Tsai .....	D14/251
D751,060 S *	3/2016	Cooper .....	D14/251
D753,643 S *	4/2016	Kim .....	D14/253
D757,705 S *	5/2016	Esses .....	D14/251
D768,125 S *	10/2016	Kim .....	D14/253
D769,860 S *	10/2016	Xiao .....	D14/253

(Continued)

*Primary Examiner* — Janice Hallmark

(74) *Attorney, Agent, or Firm* — Ladas & Parry LLP

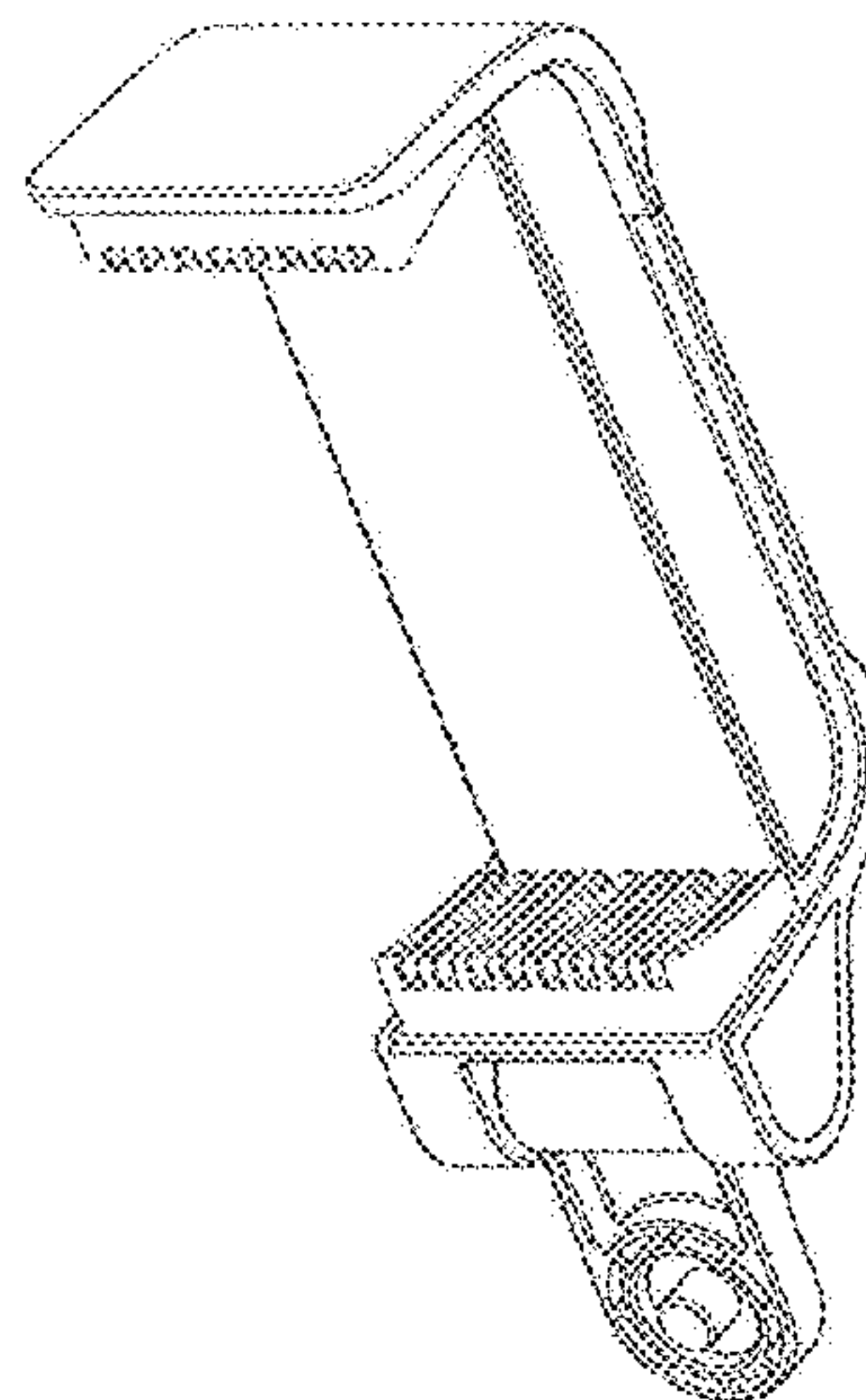
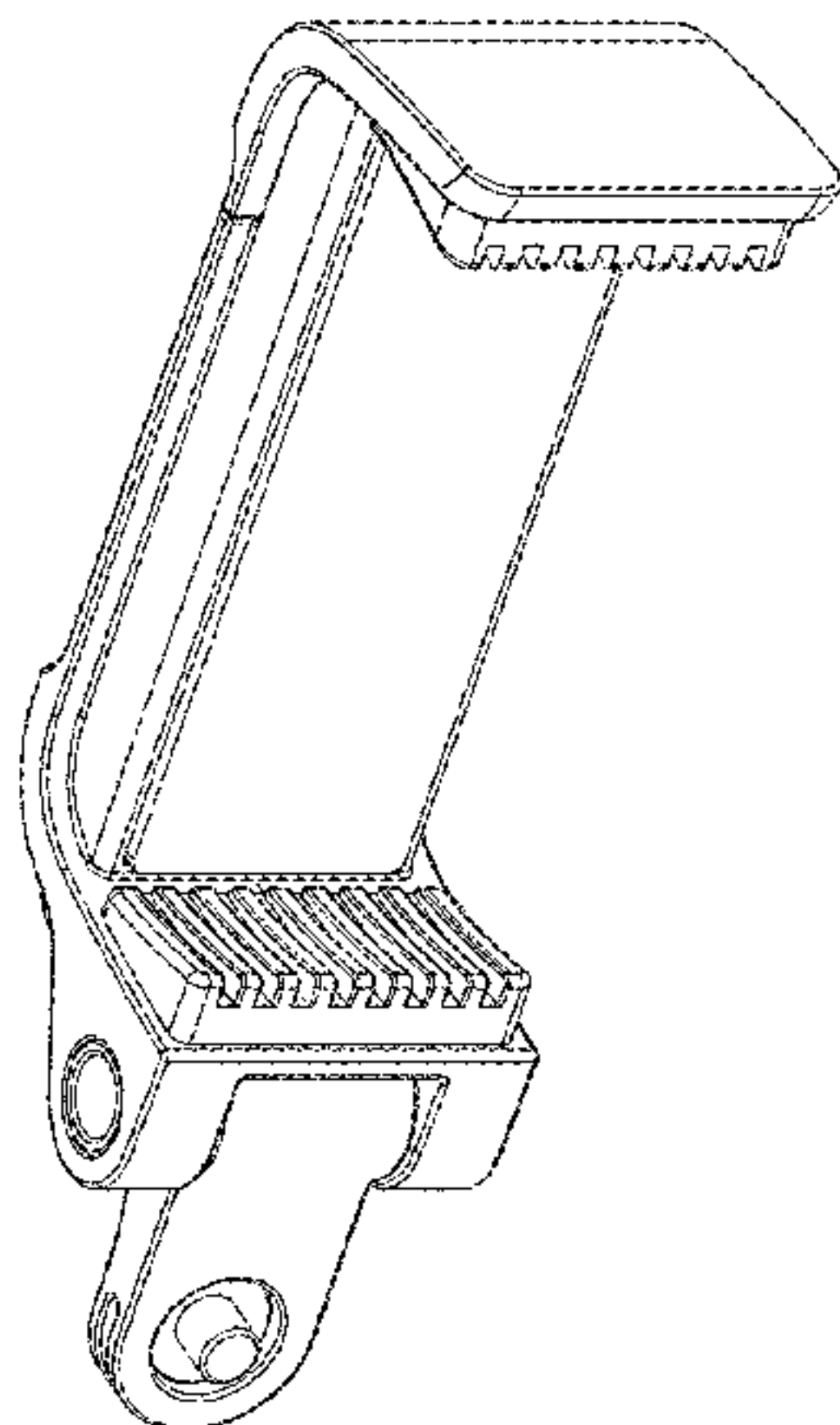
(57) **CLAIM**

The ornamental design for a mobile phone stand, as shown and described.

**DESCRIPTION**

FIG. 1 is a perspective view of a first embodiment of a mobile phone stand showing our new design;  
FIG. 2 is a front elevational view thereof;  
FIG. 3 is a back elevational view thereof;  
FIG. 4 is a left side elevational view thereof;  
FIG. 5 is a right side elevational view thereof;  
FIG. 6 is a top plan view thereof;  
FIG. 7 is a bottom plan view thereof;  
FIG. 8 is a front elevational view of a second embodiment of a mobile phone stand showing our new design;  
FIG. 9 is a rear elevational view thereof;  
FIG. 10 is a left side elevational view thereof;  
FIG. 11 is a right side elevational view thereof;  
FIG. 12 is a top plan view thereof;  
FIG. 13 is a bottom plan view thereof; and,  
FIG. 14 is a perspective view thereof.

**1 Claim, 12 Drawing Sheets**



(56)

**References Cited**

U.S. PATENT DOCUMENTS

D783,012 S *	4/2017	Lee .....	D14/253
D783,014 S *	4/2017	Chun .....	D14/253
D807,371 S *	1/2018	Bertelle .....	D14/447
D809,287 S *	2/2018	Wei .....	D3/218
D815,104 S *	4/2018	Bertelle .....	D14/447
D823,846 S *	7/2018	Chen .....	D14/251
D826,023 S *	8/2018	Chun .....	D8/72
D827,405 S *	9/2018	Chun .....	D8/72
D828,865 S *	9/2018	Zeng .....	D16/242
D829,203 S *	9/2018	Chen .....	D14/253
2016/0124210 A1 *	5/2016	Ross .....	G02B 23/16 359/399

\* cited by examiner

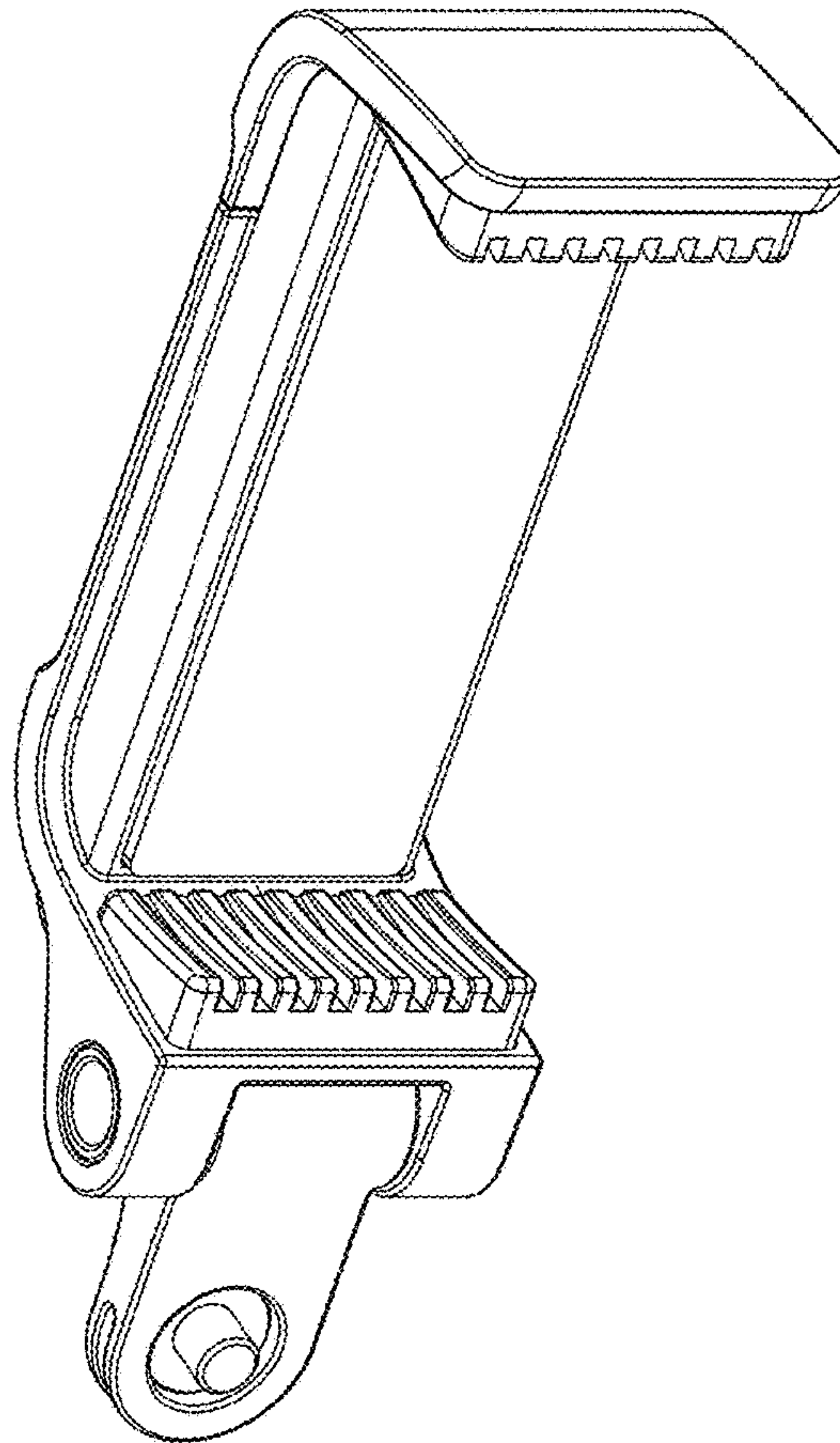


FIG. 1

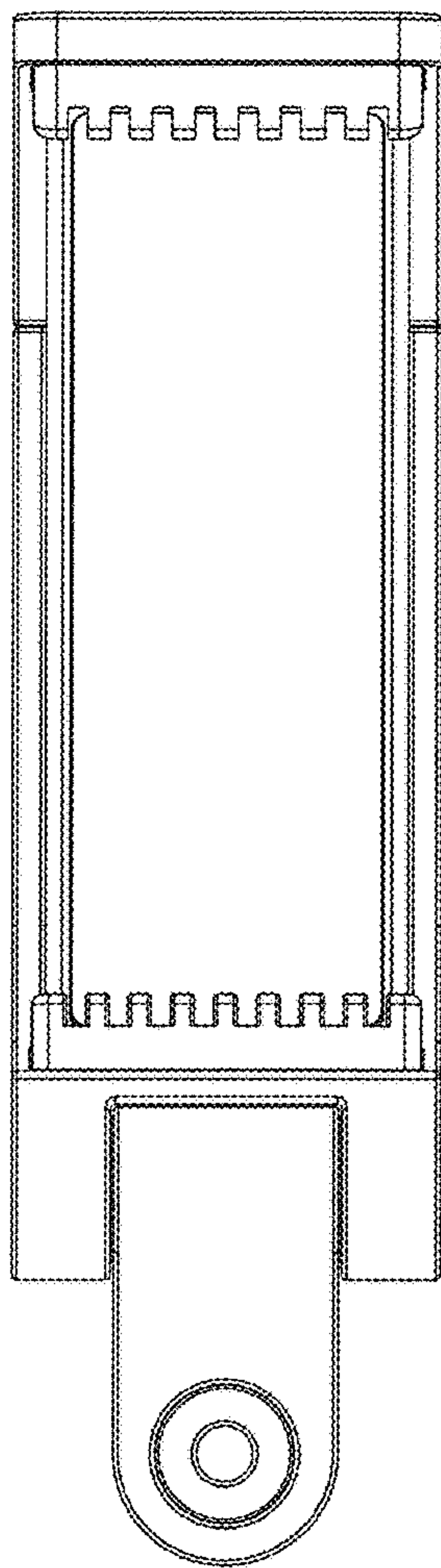


FIG.2

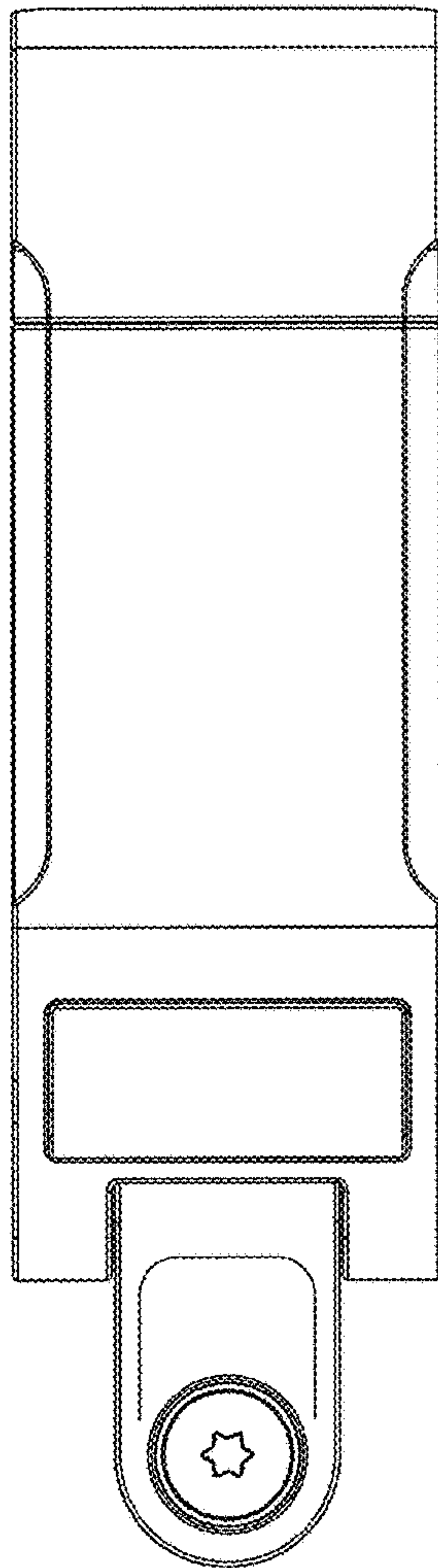


FIG.3

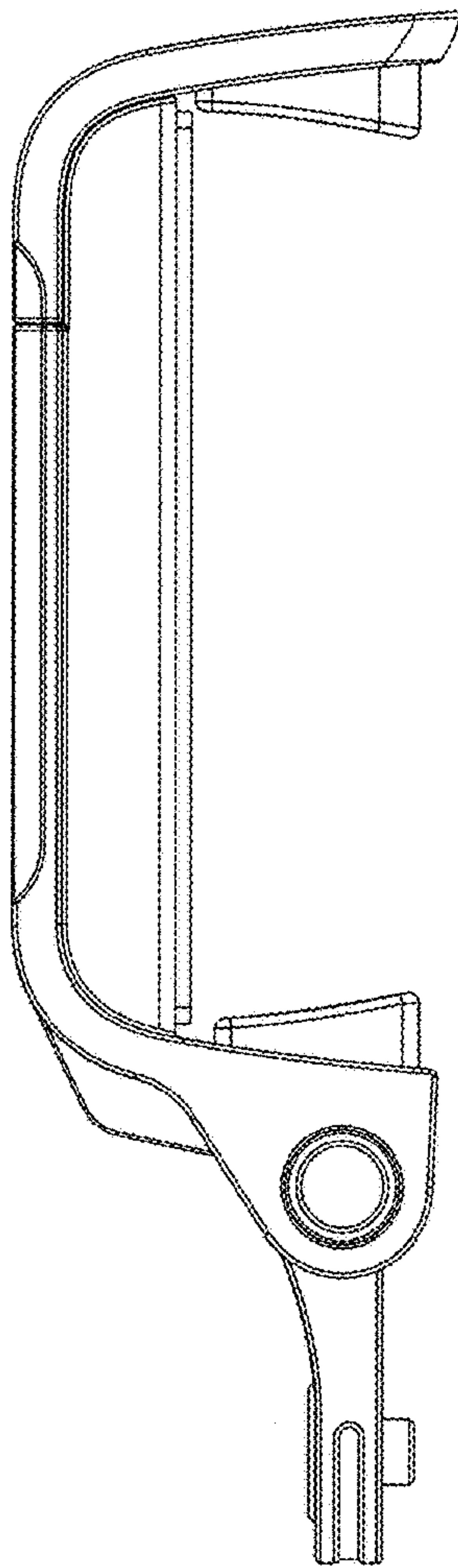


FIG. 4



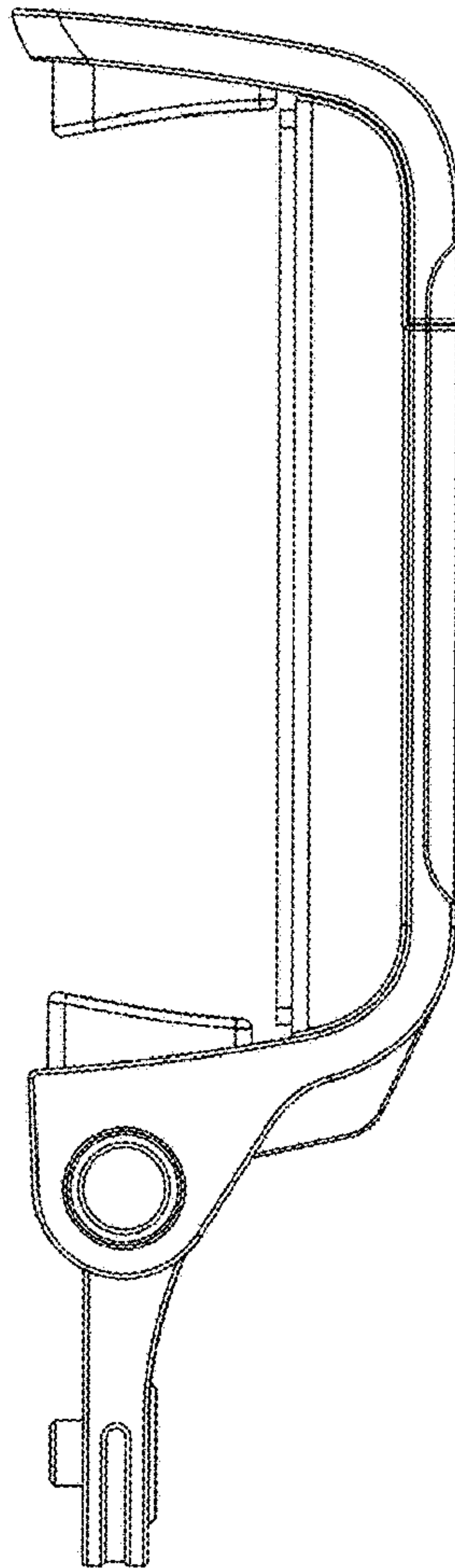


FIG. 5

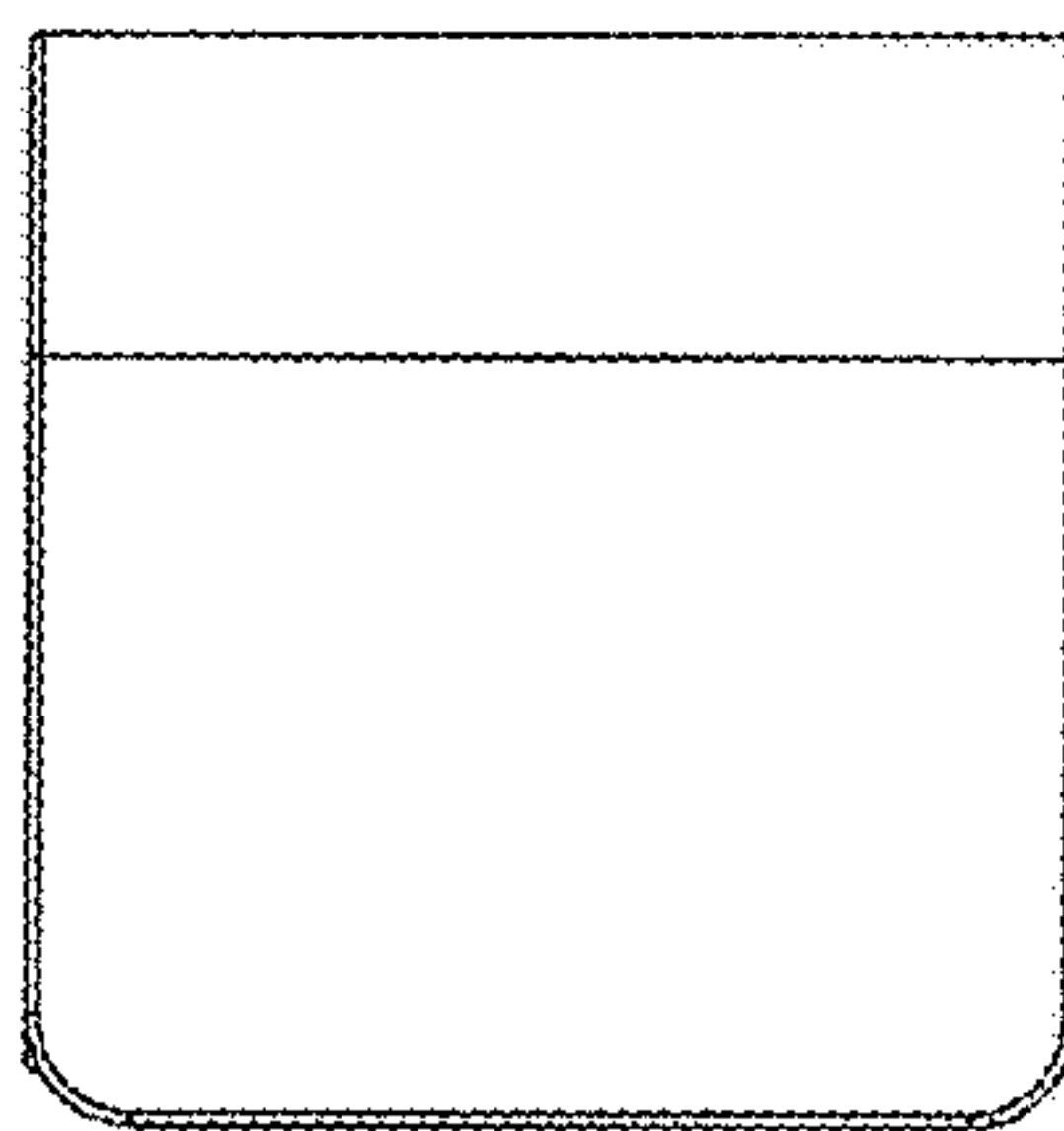


FIG. 6

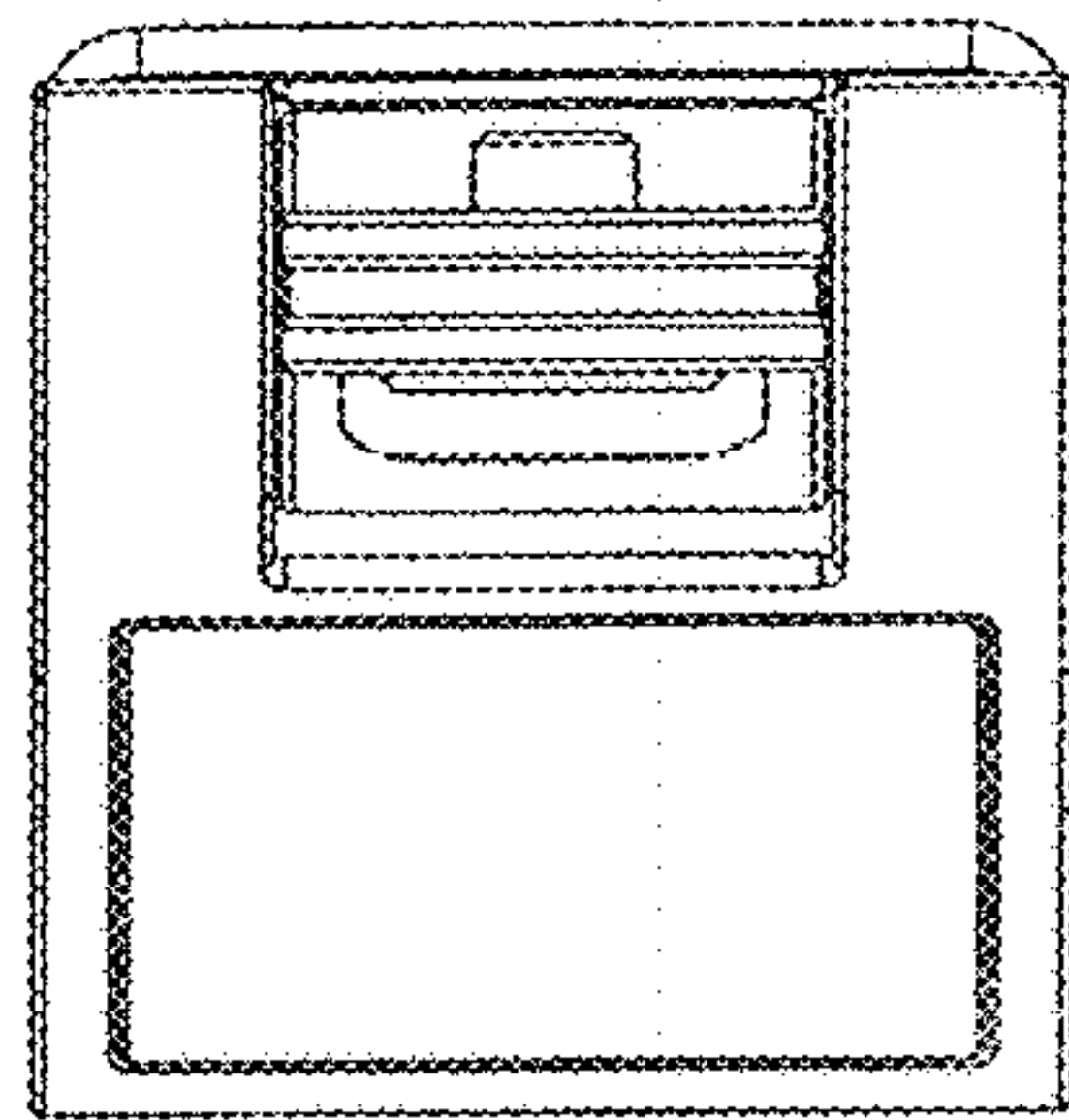


FIG. 7



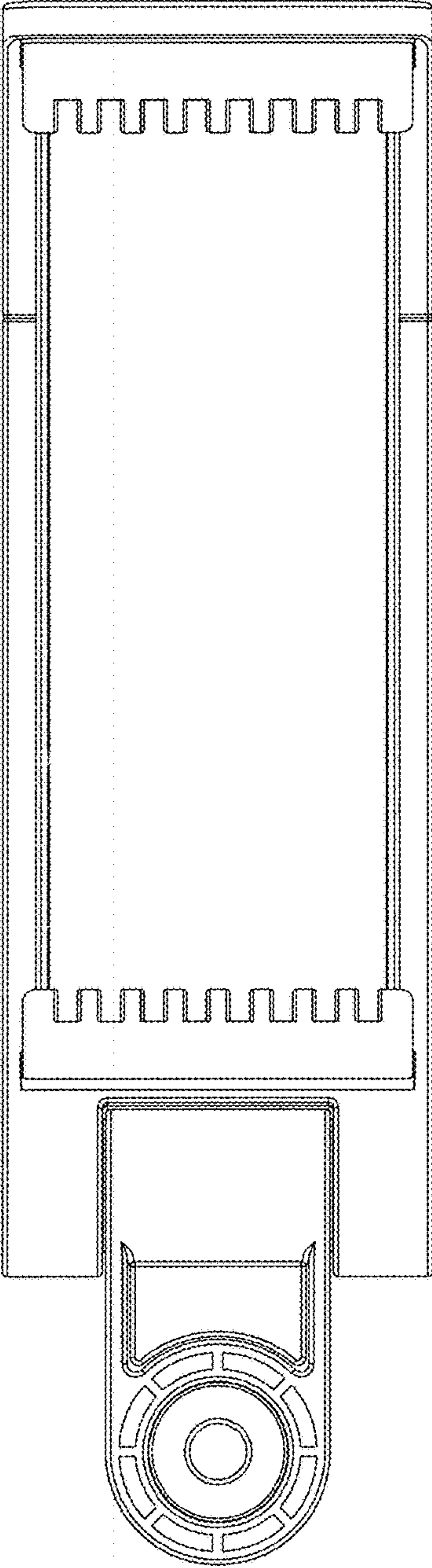


FIG. 8

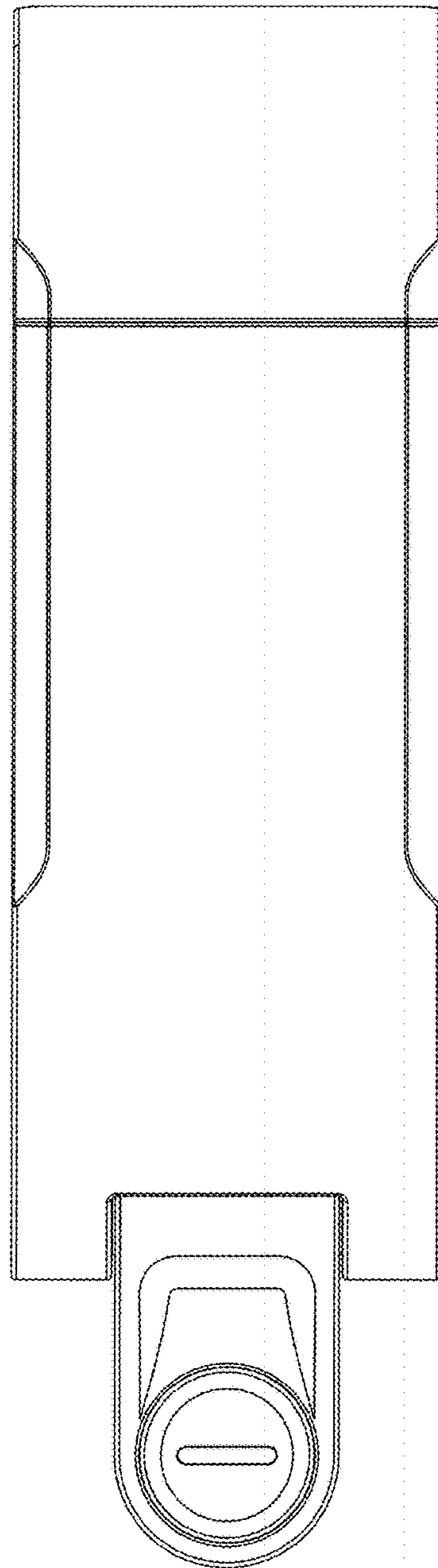


FIG. 9

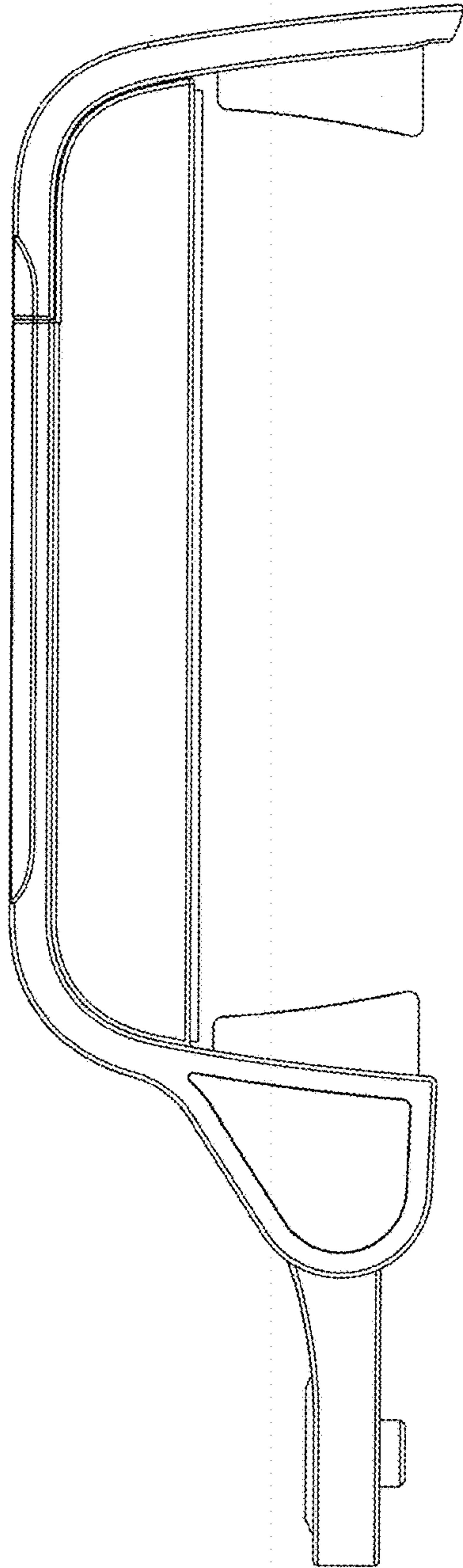


FIG.10

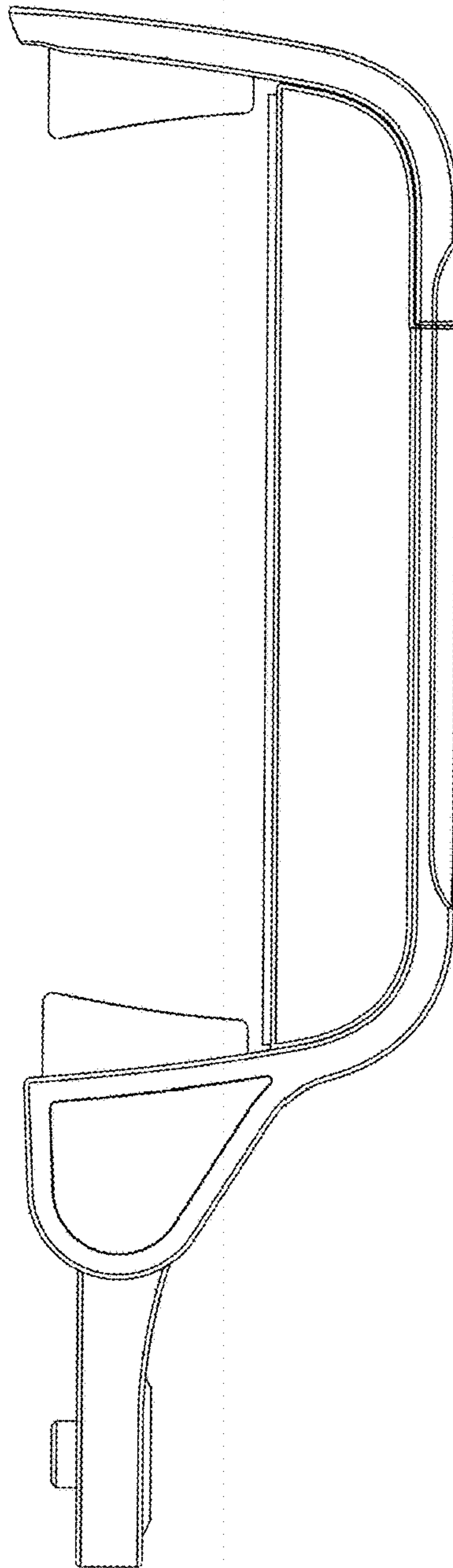


FIG. 11

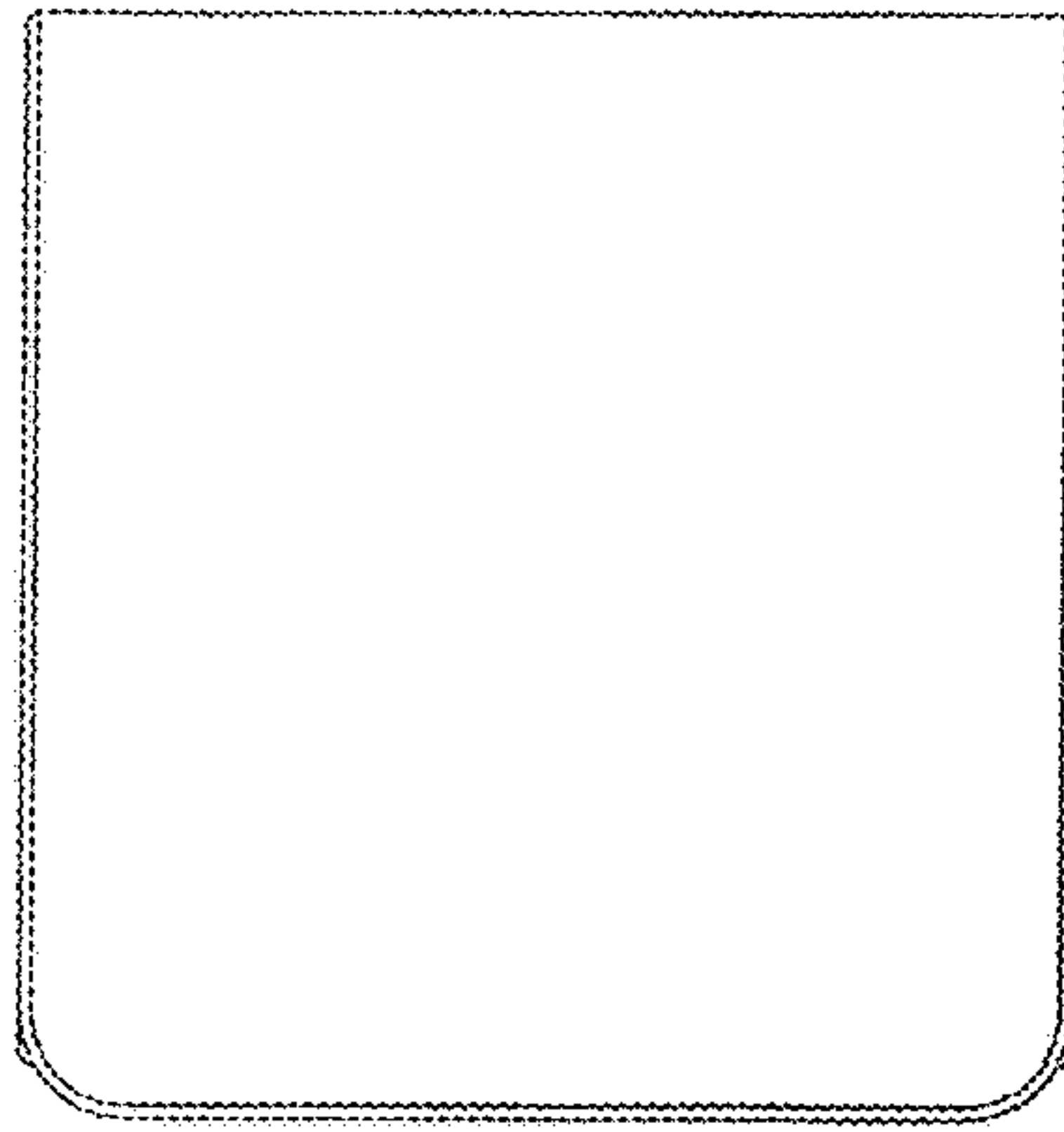


FIG. 12

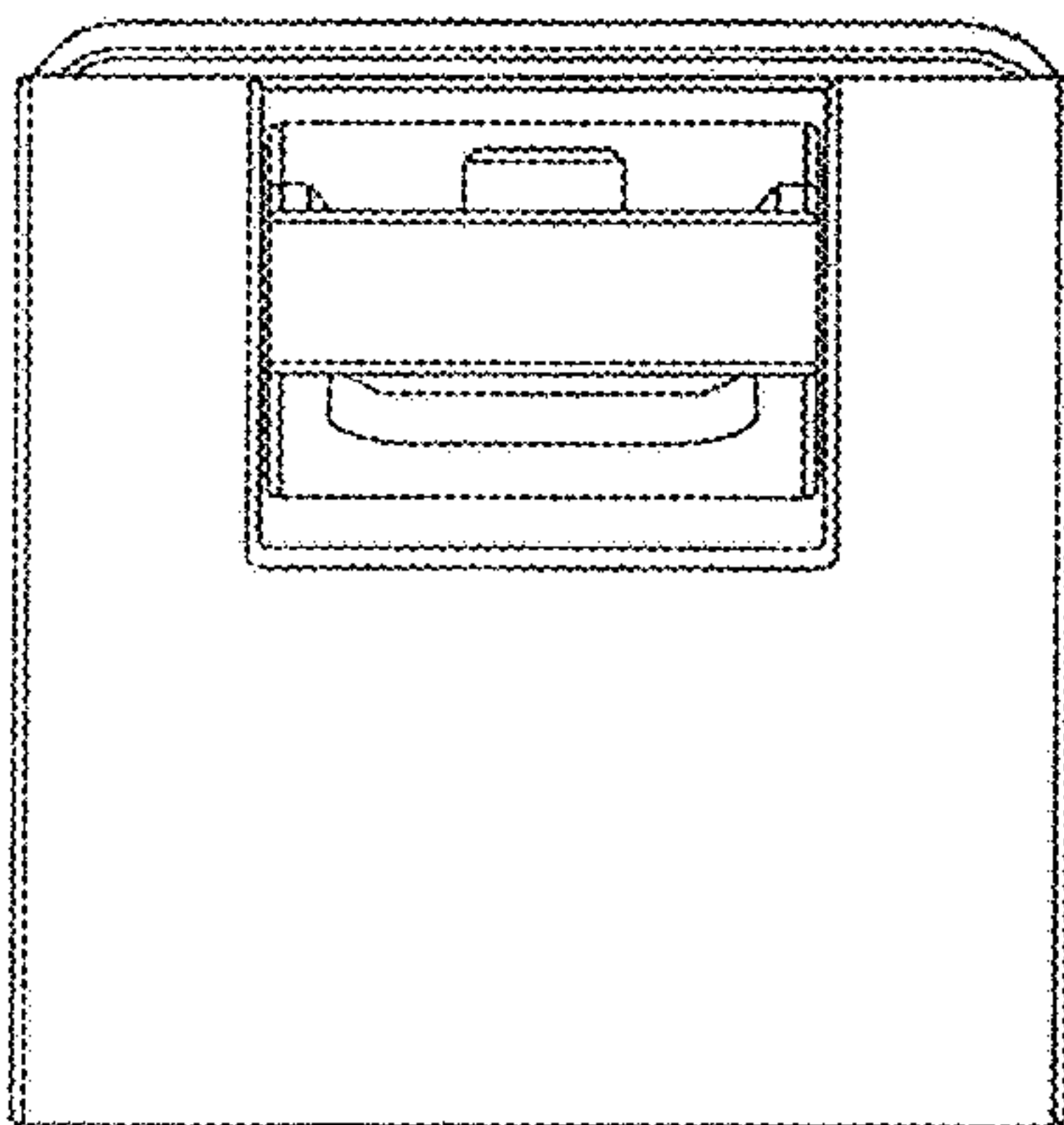


FIG. 13

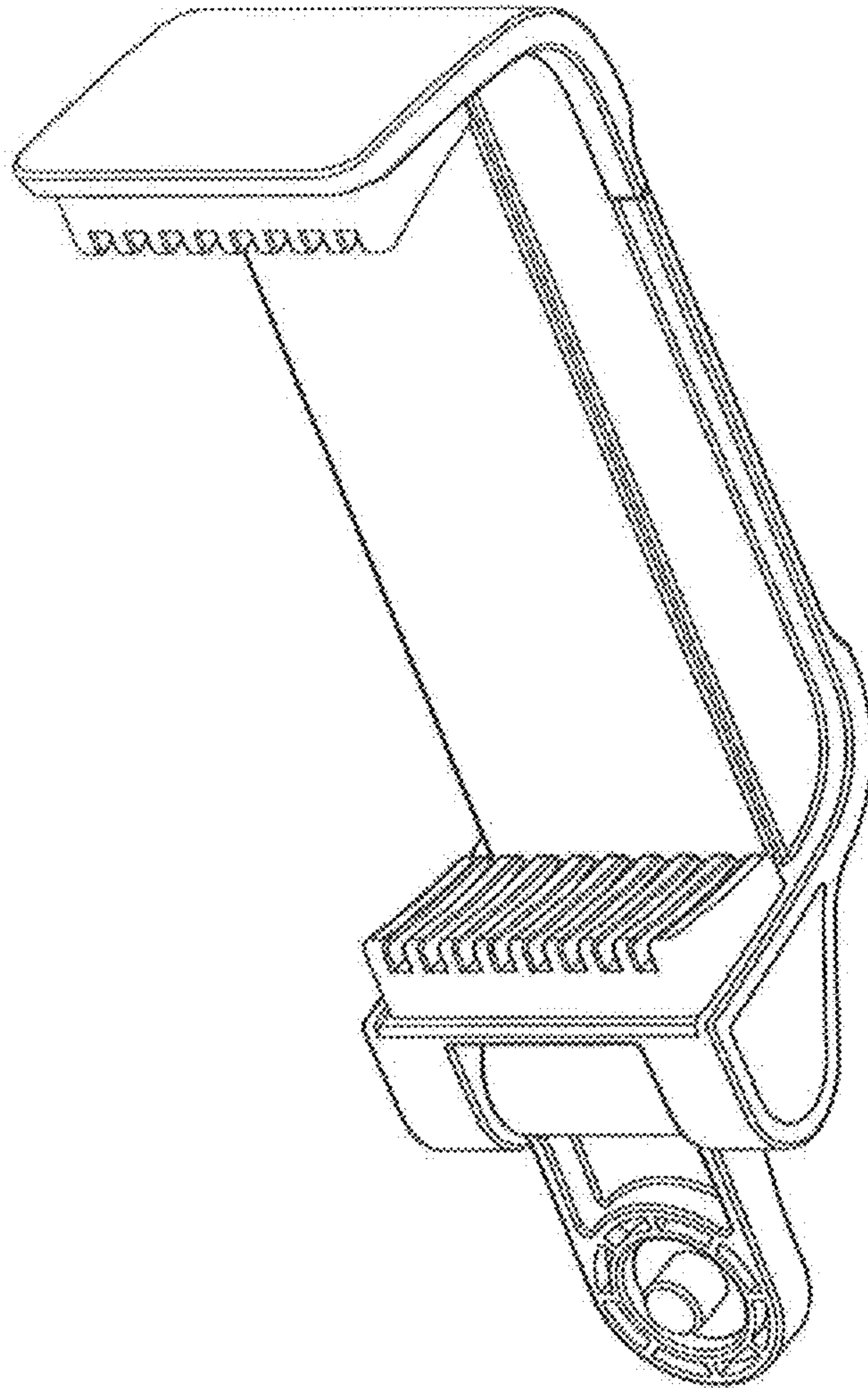


FIG. 14