



US00D854005S

(12) **United States Design Patent** (10) **Patent No.:** **US D854,005 S**
Hayes (45) **Date of Patent:** **** Jul. 16, 2019**

(54) **FINGER GRIP** 5,997,514 A * 12/1999 Balestracci A61M 5/3135
604/187
(71) Applicant: **William Donald Hayes**, Colorado D463,279 S * 9/2002 Piazza D9/434
Springs, CO (US) D613,291 S * 4/2010 Carver D14/218
8,480,144 B2 * 7/2013 Potter G06F 1/1628
(72) Inventor: **William Donald Hayes**, Colorado 224/217
Springs, CO (US) 8,801,065 B1 * 8/2014 Jones A45F 5/10
16/430

(**) Term: **15 Years**

(21) Appl. No.: **29/600,157**

(22) Filed: **Apr. 10, 2017**

Related U.S. Application Data

(63) Continuation-in-part of application No. PCT/US2016/033772, filed on May 23, 2016.

(51) **LOC (11) Cl.** **14-03**

(52) **U.S. Cl.**
USPC **D14/251**

(58) **Field of Classification Search**
USPC D8/107, 300-303, 307, 331; D14/217,
D14/251-254
CPC A45F 5/10; A45F 2200/0525; A45F
2200/0533; A45F 2200/0508; A45F
2200/0516
See application file for complete search history.

(56) **References Cited**

U.S. PATENT DOCUMENTS

2,045,430 A * 6/1936 Winter B24D 15/06
451/555
2,223,204 A * 11/1940 Carmichael A45D 29/22
132/73
4,791,702 A * 12/1988 McVey A45F 5/10
16/428
4,977,621 A * 12/1990 Richard A41D 13/082
2/161.1
5,317,788 A * 6/1994 Esposito B62J 7/08
24/300
5,560,375 A * 10/1996 Kabanek A61F 5/3761
128/878

(Continued)

FOREIGN PATENT DOCUMENTS

WO WO 2016/191365 12/2016

OTHER PUBLICATIONS

Notification of Transmittal of the International Search Report and the Written Opinion of the International Searching Authority for International (PCT) Application No. PCT/US2016/033772, dated Aug. 12, 2016, 7 pages.

(Continued)

Primary Examiner — Lauren R Calve
(74) *Attorney, Agent, or Firm* — Aspire IP, LLC; Yiu F. Au

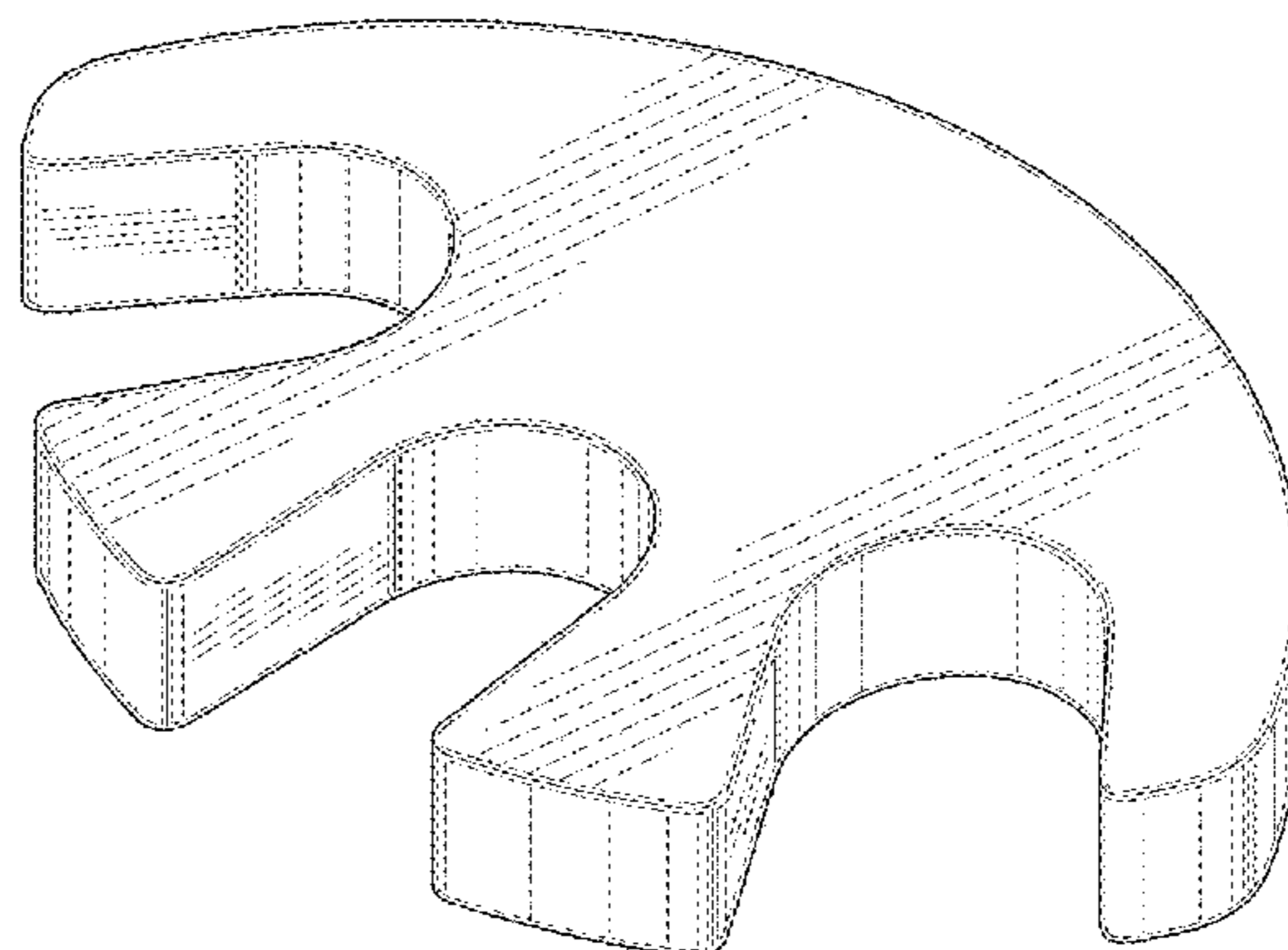
(57) **CLAIM**

I claim the ornamental design for a finger grip, substantially as shown and described.

DESCRIPTION

FIG. 1 is a perspective view of a finger grip in accordance with the present invention;
FIG. 2 is a top view of FIG. 1;
FIG. 3 is a bottom view of FIG. 1;
FIG. 4 is a front view of FIG. 1;
FIG. 5 is a back view of FIG. 1;
FIG. 6 is a left view of FIG. 1; and,
FIG. 7 is a right view of FIG. 1.
The shading show contours, surfaces, or recesses of the present invention.

1 Claim, 5 Drawing Sheets



(56)

References Cited

U.S. PATENT DOCUMENTS

8,827,234 B2 * 9/2014 Baker F16M 13/00
224/218
D749,069 S * 2/2016 Senoff D14/251
D749,559 S * 2/2016 Senoff D14/251
D777,154 S * 1/2017 McGowan D14/250
9,674,324 B1 * 6/2017 Duphiney H04M 1/0281
9,838,519 B1 * 12/2017 Blackwood H04M 1/0281
D819,603 S * 6/2018 Pearce D14/217
2008/0276395 A1 * 11/2008 Powell A01K 13/001
15/143.1
2009/0207052 A1 * 8/2009 Powell A47L 13/16
341/20
2009/0276971 A1 * 11/2009 Nozari A47L 13/16
15/118
2009/0314304 A1 * 12/2009 Jochim A46B 5/02
132/126
2010/0072334 A1 * 3/2010 Le Gette F16M 13/00
248/176.3
2010/0296235 A1 * 11/2010 Takemasa G06F 1/1616
361/679.21
2011/0084081 A1 * 4/2011 Chung A45C 11/00
220/628
2011/0266313 A1 11/2011 Ghalib et al.
2012/0000001 A1 * 1/2012 Powell A41D 13/082
2/20
2012/0042476 A1 2/2012 Karmatz
2012/0305445 A1 * 12/2012 Hu A45C 11/00
206/775
2012/0319414 A1 12/2012 Potter et al.

2013/0057005 A1 * 3/2013 Grieve A47G 23/0625
294/172
2013/0178737 A1 * 7/2013 Anelli A61M 5/3137
600/432
2014/0319190 A1 * 10/2014 Cao A45F 5/00
224/218
2014/0373244 A1 * 12/2014 Jhaveri A63B 71/14
2/20
2015/0054297 A1 * 2/2015 Schaffer A45F 5/00
294/137
2015/0197306 A1 * 7/2015 Denby B62K 21/125
74/551.9
2015/0245519 A1 * 8/2015 Forristall H02J 7/0054
320/103
2015/0251811 A1 * 9/2015 Glaser B65D 23/104
220/759
2015/0311938 A1 * 10/2015 Molnar H04B 1/3888
455/575.8
2016/0049983 A1 * 2/2016 Ripka H04B 1/385
455/575.6
2016/0233909 A1 * 8/2016 West H04B 1/385
2017/0056713 A1 * 3/2017 Abdourazak A63B 21/4039
2018/0153287 A1 * 6/2018 William A45F 5/10
2018/0177139 A1 * 6/2018 Torres Carpio A01G 9/128

OTHER PUBLICATIONS

Notification Concerning Transmittal of International Preliminary Report on Patentability for International (PCT) Application No. PCT/US2016/033772, dated Dec. 7, 2017, 6 pages.

* cited by examiner

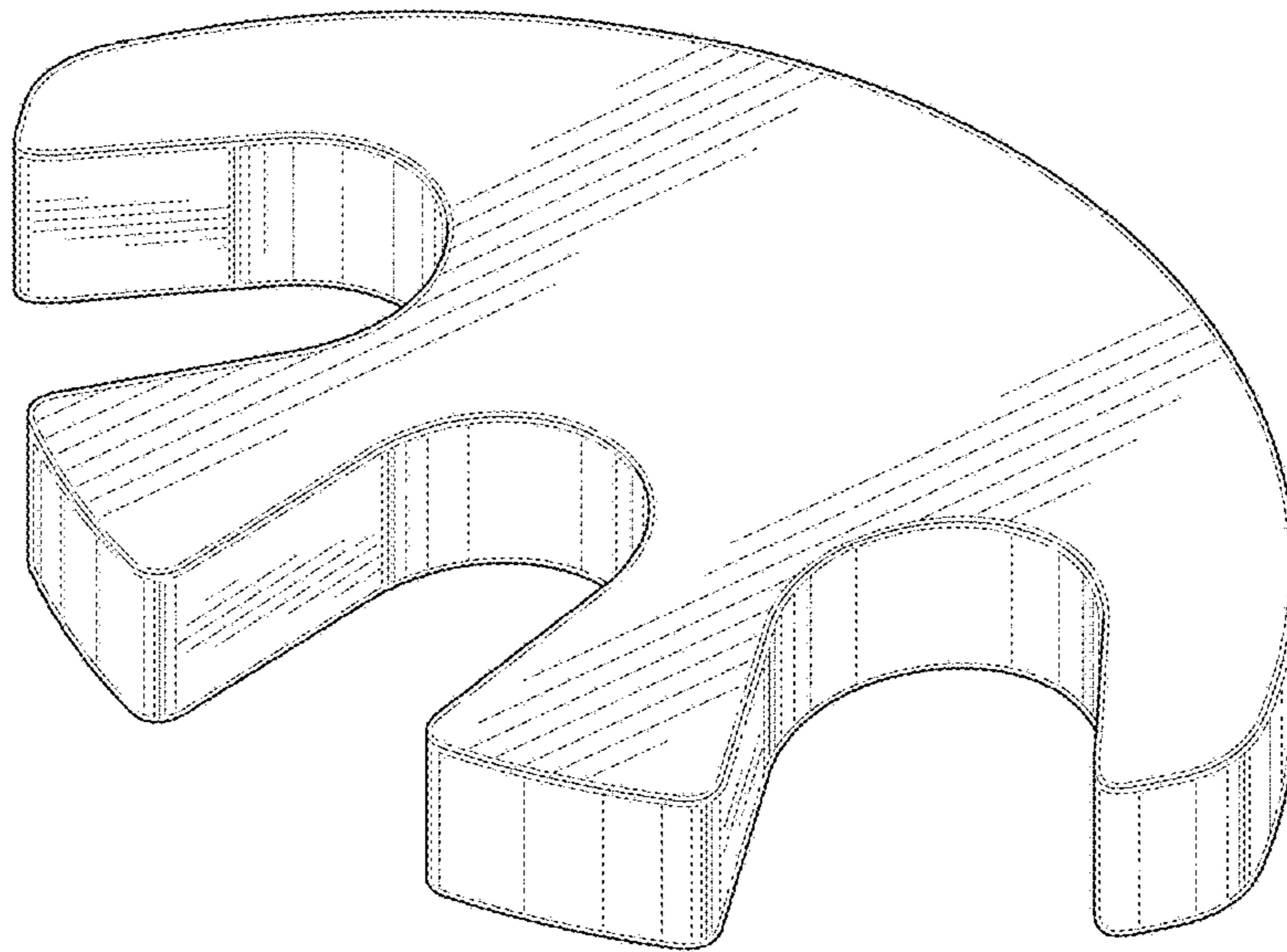


FIG. 1

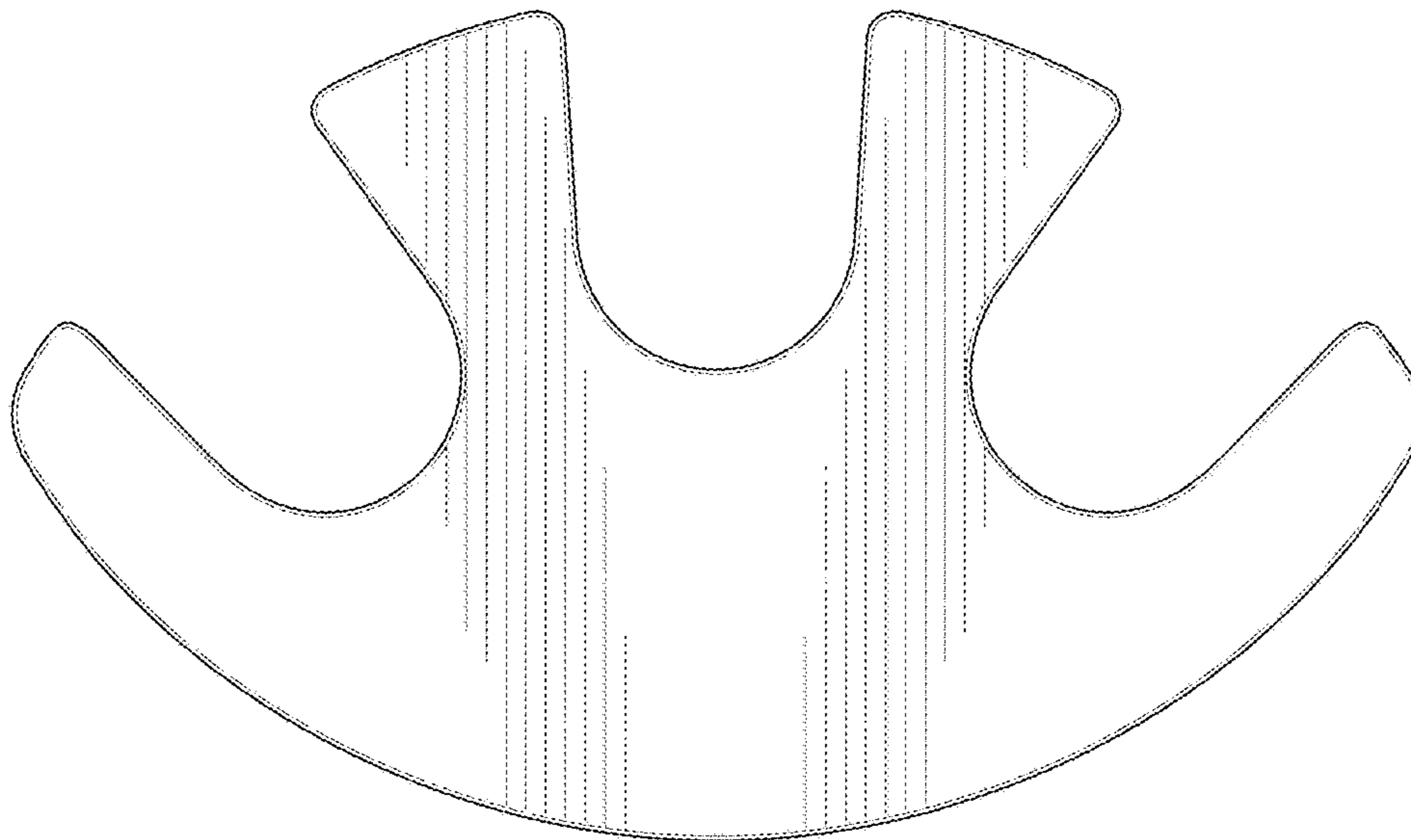


FIG. 2

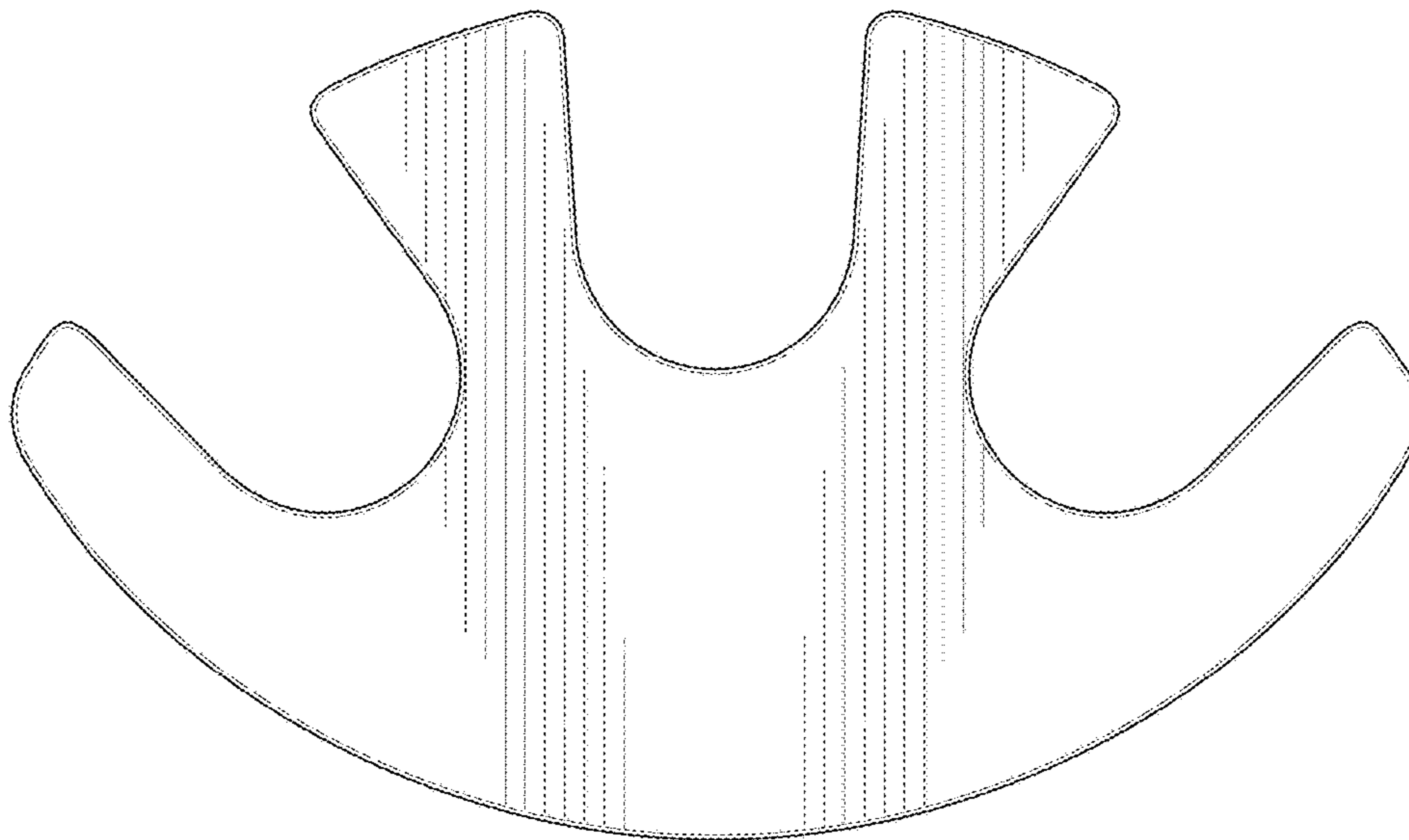


FIG. 3

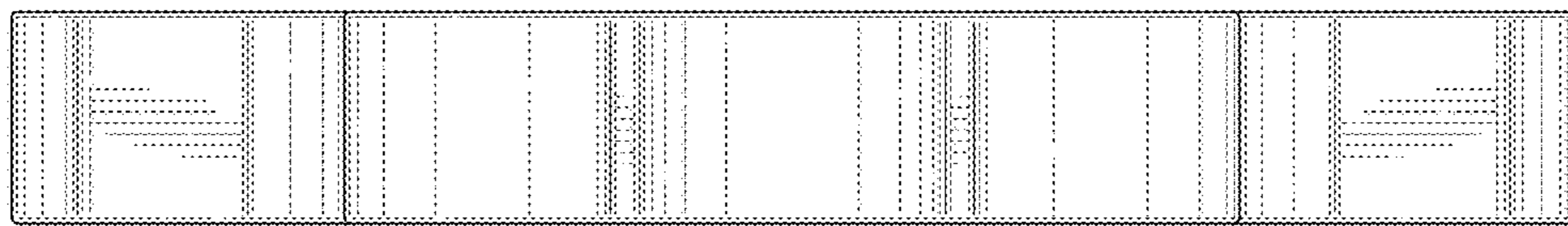


FIG. 4



FIG. 5

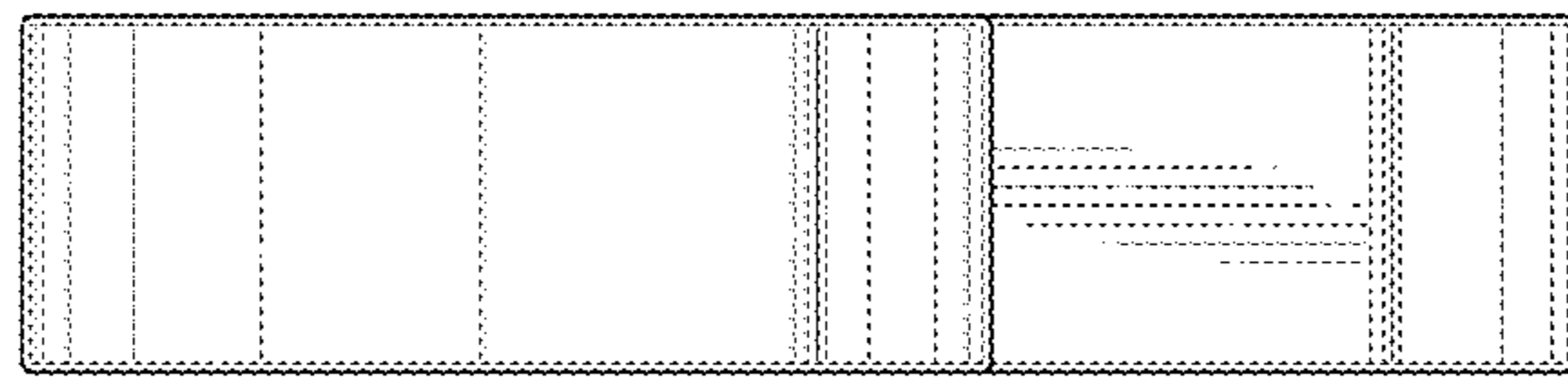


FIG. 6

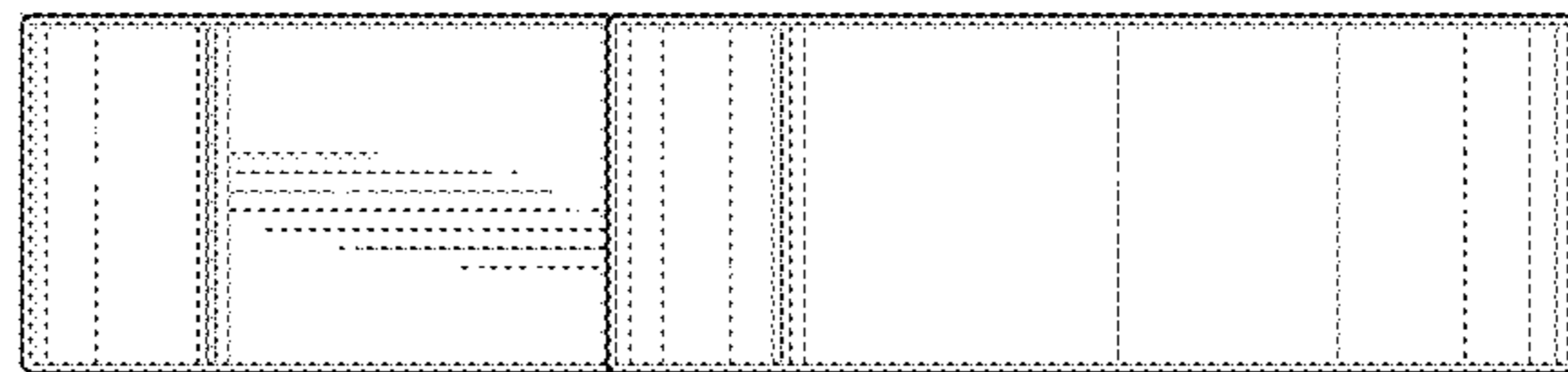


FIG. 7