



US00D854000S

(12) **United States Design Patent** (10) **Patent No.:** **US D854,000 S**
Akana et al. (45) **Date of Patent:** **** Jul. 16, 2019**

(54) **DISPLAY FOR AN ELECTRONIC DEVICE**
(71) Applicant: **Apple Inc.**, Cupertino, CA (US)
(72) Inventors: **Jody Akana**, San Francisco, CA (US); **Bartley K. Andre**, Palo Alto, CA (US); **Jeremy Bataillou**, San Francisco, CA (US); **Sawyer Isaac Cohen**, Sunnyvale, CA (US); **Daniel J. Coster**, San Francisco, CA (US); **Daniele De Iuliis**, San Francisco, CA (US); **M. Evans Hankey**, San Francisco, CA (US); **Julian Hoenig**, San Francisco, CA (US); **Richard P. Howarth**, San Francisco, CA (US); **Jonathan P. Ive**, San Francisco, CA (US); **Duncan Robert Kerr**, San Francisco, CA (US); **Shin Nishibori**, Kailua, HI (US); **David A. Pakula**, San Francisco, CA (US); **Matthew Dean Rohrbach**, San Francisco, CA (US); **Peter Russell-Clarke**, San Francisco, CA (US); **Ashutosh Y. Shukla**, Santa Clara, CA (US); **Christopher J. Stringer**, Woodside, CA (US); **Eugene Antony Whang**, San Francisco, CA (US); **Michael Benjamin Wittenberg**, Sunnyvale, CA (US); **Rico Zörkendörfer**, San Francisco, CA (US)

(73) Assignee: **Apple Inc.**, Cupertino, CA (US)
(**) Term: **15 Years**
(21) Appl. No.: **29/576,417**
(22) Filed: **Sep. 2, 2016**

Related U.S. Application Data

(63) Continuation of application No. 29/510,611, filed on Dec. 1, 2014, now Pat. No. Des. 765,625, which is a continuation of application No. 29/431,725, filed on Sep. 10, 2012, now Pat. No. Des. 718,753.

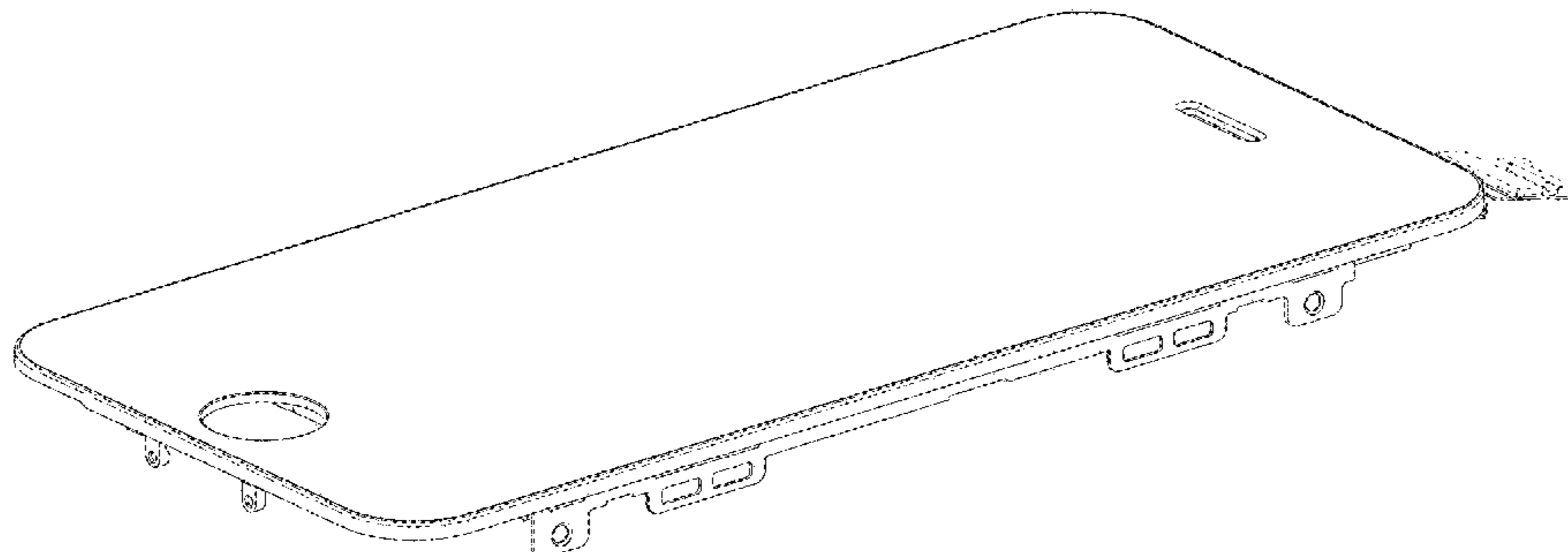
(51) **LOC (11) Cl.** **14-03**

(52) **U.S. Cl.**
USPC **D14/248**
(58) **Field of Classification Search**
USPC ... D14/248, 341, 250, 439, 432, 347, 203.3, D14/138 R
CPC H04M 1/0266; H04M 1/0277; H04M 1/0283; H04M 1/0202
See application file for complete search history.

(56) **References Cited**

U.S. PATENT DOCUMENTS

| | | | |
|--------------|-----------|-------------------|---------|
| D304,448 S | 11/1989 | De La Cruz et al. | |
| D455,433 S | 4/2002 | Alviar et al. | |
| D481,383 S | * 10/2003 | He | D14/248 |
| D489,071 S | 4/2004 | Nishioka et al. | |
| D489,072 S | 4/2004 | Nishioka et al. | |
| D489,073 S | 4/2004 | Nishioka et al. | |
| D489,074 S | 4/2004 | Nishioka et al. | |
| D500,037 S | 12/2004 | Ozolins et al. | |
| D504,889 S | 5/2005 | Andre et al. | |
| 6,900,388 B2 | 5/2005 | Wang et al. | |
| D513,617 S | 1/2006 | Tierney | |
| 7,236,357 B2 | 6/2007 | Chen | |
| D557,239 S | 12/2007 | Lee | |
| 7,303,424 B2 | 12/2007 | Tu et al. | |
| D558,756 S | 1/2008 | Andre et al. | |
| D558,757 S | 1/2008 | Andre et al. | |
| D558,758 S | 1/2008 | Andre et al. | |
| D561,153 S | 2/2008 | Hong et al. | |
| D563,432 S | 3/2008 | Kim | |
| D569,830 S | 5/2008 | Kwak | |
| D570,346 S | 6/2008 | Suk et al. | |
| D574,819 S | 8/2008 | Andre et al. | |
| D575,259 S | 8/2008 | Kim et al. | |
| D580,387 S | 11/2008 | Andre et al. | |
| D581,922 S | 12/2008 | Andre et al. | |
| D592,211 S | 5/2009 | Ichise et al. | |
| D592,212 S | 5/2009 | Hamada et al. | |
| D593,087 S | 5/2009 | Andre et al. | |
| D594,863 S | 6/2009 | Ichise et al. | |
| D599,342 S | 9/2009 | Andre et al. | |
| D600,241 S | 9/2009 | Andre et al. | |
| D600,690 S | 9/2009 | Miyaji | |
| D602,014 S | 10/2009 | Andre et al. | |
| D602,015 S | 10/2009 | Andre et al. | |
| D602,016 S | 10/2009 | Andre et al. | |
| D602,017 S | 10/2009 | Andre et al. | |
| D602,486 S | 10/2009 | Andre et al. | |
| D602,488 S | 10/2009 | Jiang et al. | |
| D604,297 S | 11/2009 | Andre et al. | |



US D854,000 S

| | | | | | | | |
|--------------|---------|-------------------|---------|-----------------|---------|------------------|-----------|
| D606,129 S | 12/2009 | Ben-Moshe | | D657,782 S | 4/2012 | Biller | |
| D610,135 S * | 2/2010 | Hofer | D14/248 | D658,147 S | 4/2012 | Yoon | |
| 7,660,560 B2 | 2/2010 | Zuo et al. | | D658,148 S | 4/2012 | Park et al. | |
| D613,735 S | 4/2010 | Andre et al. | | D661,707 S | 6/2012 | Akana et al. | |
| D613,736 S | 4/2010 | Andre et al. | | D662,922 S | 7/2012 | Akana et al. | |
| 7,697,281 B2 | 4/2010 | Dabov et al. | | D666,202 S | 8/2012 | Dinh et al. | |
| D615,083 S | 5/2010 | Andre et al. | | 8,264,837 B2 | 9/2012 | Pakula et al. | |
| D616,875 S | 6/2010 | Oh et al. | | D669,071 S | 10/2012 | Akana et al. | |
| D617,792 S | 6/2010 | Andre et al. | | D671,947 S * | 12/2012 | Akana | D14/439 |
| D618,677 S | 6/2010 | Andre et al. | | D672,343 S | 12/2012 | Akana et al. | |
| D618,678 S | 6/2010 | Andre et al. | | D673,948 S | 1/2013 | Andre et al. | |
| D619,361 S | 7/2010 | Andre et al. | | D674,383 S | 1/2013 | Andre et al. | |
| D621,807 S | 8/2010 | Stone | | D675,202 S | 1/2013 | Andre et al. | |
| D622,270 S | 8/2010 | Andre et al. | | D677,657 S | 3/2013 | Akana et al. | |
| D622,718 S | 8/2010 | Andre et al. | | D677,664 S * | 3/2013 | Akana | D14/439 |
| D622,719 S | 8/2010 | Andre et al. | | D677,666 S | 3/2013 | Akana et al. | |
| D622,720 S | 8/2010 | Andre et al. | | D678,261 S | 3/2013 | Akana et al. | |
| D623,183 S | 9/2010 | Hong et al. | | D681,032 S | 4/2013 | Akana et al. | |
| D624,304 S | 9/2010 | Danze et al. | | D684,571 S | 6/2013 | Akana et al. | |
| D624,536 S | 9/2010 | Andre et al. | | D689,475 S | 9/2013 | Andre et al. | |
| D625,303 S | 10/2010 | Kim | | D692,878 S | 11/2013 | Akana et al. | |
| D625,307 S | 10/2010 | Cheng | | D692,879 S | 11/2013 | Andre et al. | |
| D626,937 S | 11/2010 | Yeo et al. | | D695,316 S | 12/2013 | Akana et al. | |
| D627,777 S | 11/2010 | Akana et al. | | D697,511 S | 1/2014 | Andre et al. | |
| D627,778 S | 11/2010 | Akana et al. | | D699,717 S | 2/2014 | Akana et al. | |
| D629,387 S | 12/2010 | Lee | | D703,633 S | 4/2014 | Akana et al. | |
| D629,772 S | 12/2010 | Mo et al. | | 8,684,613 B2 | 4/2014 | Weber | |
| D629,787 S | 12/2010 | Lee | | D706,253 S | 6/2014 | Simmer | |
| D629,788 S | 12/2010 | Lee | | D707,223 S | 6/2014 | Akana et al. | |
| D629,799 S | 12/2010 | Andre et al. | | D707,648 S | 6/2014 | Ryu et al. | |
| D630,630 S | 1/2011 | Andre et al. | | D710,814 S | 8/2014 | Im | |
| 7,869,206 B2 | 1/2011 | Dabov et al. | | D710,843 S | 8/2014 | Akanajody | |
| 7,876,274 B2 | 1/2011 | Hobson et al. | | D714,053 S | 9/2014 | Yoo | |
| D630,090 S | 2/2011 | Andre et al. | | D714,272 S * | 9/2014 | Park | D14/248 |
| D633,090 S | 2/2011 | Andre et al. | | D714,294 S | 9/2014 | Dinh et al. | |
| D633,091 S | 2/2011 | Andre et al. | | D714,771 S | 10/2014 | Rayner | |
| 7,889,139 B2 | 2/2011 | Hobson et al. | | D716,780 S | 11/2014 | Park | |
| D633,460 S | 3/2011 | Yi et al. | | D716,781 S | 11/2014 | Andre et al. | |
| D633,493 S | 3/2011 | Akana et al. | | D717,800 S * | 11/2014 | Akana | D14/432 |
| D633,908 S | 3/2011 | Akana et al. | | D718,753 S * | 12/2014 | Akana | D14/248 |
| D634,319 S | 3/2011 | Andre et al. | | D718,767 S * | 12/2014 | Akana | D14/439 |
| D634,742 S | 3/2011 | Andre et al. | | D728,545 S | 5/2015 | Koh | |
| D636,390 S | 4/2011 | Andre et al. | | D730,361 S * | 5/2015 | Akana | D14/439 |
| D636,392 S | 4/2011 | Akana et al. | | D731,481 S | 6/2015 | Akana et al. | |
| 7,924,231 B2 | 4/2011 | Hill et al. | | D732,040 S | 6/2015 | Chuang et al. | |
| 7,933,123 B2 | 4/2011 | Wang et al. | | D732,540 S | 6/2015 | Kang et al. | |
| D637,596 S | 5/2011 | Akana et al. | | D735,175 S | 7/2015 | Liu et al. | |
| D638,814 S | 5/2011 | Sutherland et al. | | D735,176 S | 7/2015 | Liu et al. | |
| D638,835 S | 5/2011 | Akana et al. | | D743,391 S | 11/2015 | Akana et al. | |
| D639,261 S | 6/2011 | Garnham et al. | | D747,319 S * | 1/2016 | Lee | D14/439 |
| D639,805 S | 6/2011 | Song et al. | | D747,723 S * | 1/2016 | Kim | D14/439 |
| D640,219 S | 6/2011 | Sutherland et al. | | D748,062 S | 1/2016 | Akana et al. | |
| D640,578 S | 6/2011 | Aihara et al. | | D749,563 S | 2/2016 | Akana et al. | |
| D640,646 S | 6/2011 | Wu et al. | | D749,590 S | 2/2016 | Dinh et al. | |
| D640,661 S | 6/2011 | Hu et al. | | D751,559 S | 3/2016 | Babiarz et al. | |
| D640,663 S | 6/2011 | Arnholt et al. | | D758,961 S * | 6/2016 | Aoyagi | D13/103 |
| D642,151 S | 7/2011 | Chun et al. | | D759,008 S | 6/2016 | Akana et al. | |
| D642,563 S | 8/2011 | Akana et al. | | D764,434 S * | 8/2016 | Akana | D14/203.7 |
| D644,194 S | 8/2011 | Joung et al. | | D768,637 S * | 10/2016 | Akana | D14/439 |
| D644,218 S | 8/2011 | Akana et al. | | D771,025 S * | 11/2016 | Lee | D14/248 |
| D645,833 S | 9/2011 | Seflic et al. | | D772,877 S * | 11/2016 | Akana | D14/432 |
| 8,014,135 B2 | 9/2011 | Yu | | D777,714 S * | 1/2017 | Akana | D14/250 |
| D647,106 S | 10/2011 | Akana et al. | | D791,139 S * | 7/2017 | Akana | D14/439 |
| D647,519 S | 10/2011 | Rothbaum et al. | | D811,408 S * | 2/2018 | Wadsworth | D14/432 |
| D647,882 S | 11/2011 | Kim et al. | | 2006/0139856 A1 | 6/2006 | Liu et al. | |
| D648,704 S | 11/2011 | Hofer et al. | | 2006/0160411 A1 | 7/2006 | Lai et al. | |
| D649,150 S | 11/2011 | Takahashi et al. | | 2006/0281501 A1 | 12/2006 | Zuo et al. | |
| D649,526 S | 11/2011 | Hu | | 2007/0082718 A1 | 4/2007 | Yoon et al. | |
| D649,539 S | 11/2011 | Hong | | 2008/0316116 A1 | 12/2008 | Hobson et al. | |
| D651,606 S | 1/2012 | Luijben | | 2008/0316121 A1 | 12/2008 | Hobson et al. | |
| D652,015 S | 1/2012 | Han | | 2009/0067141 A1 | 3/2009 | Dabov et al. | |
| D652,814 S | 1/2012 | Choi et al. | | 2009/0245565 A1 | 10/2009 | Mittleman et al. | |
| 8,102,319 B2 | 1/2012 | Schlub et al. | | 2009/0247244 A1 | 10/2009 | Mittleman et al. | |
| 8,106,836 B2 | 1/2012 | Hill et al. | | 2010/0105452 A1 | 4/2010 | Shin et al. | |
| D653,640 S | 2/2012 | Kwon et al. | | 2010/0277877 A1 | 11/2010 | Dinh et al. | |
| D653,642 S | 2/2012 | Han | | 2011/0151945 A1 | 6/2011 | Jiang et al. | |
| D654,461 S | 2/2012 | Kim et al. | | 2011/0164365 A1 | 7/2011 | McClure et al. | |
| 8,116,073 B2 | 2/2012 | Hung et al. | | 2011/0164370 A1 | 7/2011 | McClure et al. | |
| D657,764 S | 4/2012 | Hong | | 2011/0188179 A1 | 8/2011 | Myers et al. | |

US D854,000 S

Page 3

| | | | | |
|--------------|-----|---------|-----------------|-------------------------|
| 2011/0216486 | A1 | 9/2011 | Ho et al. | |
| 2011/0255218 | A1 | 10/2011 | Pakula et al. | |
| 2012/0002352 | A1 | 1/2012 | Hsiung | |
| 2012/0009974 | A1 | 1/2012 | Sunderland | |
| 2012/0044123 | A1 | 2/2012 | Rothkopf et al. | |
| 2012/0050988 | A1 | 3/2012 | Rothkopf et al. | |
| 2012/0051025 | A1 | 3/2012 | Jol et al. | |
| 2012/0073115 | A1* | 3/2012 | Filson | G06F 1/1601 29/592.1 |
| 2012/0086648 | A1 | 4/2012 | Leung | |
| 2012/0087066 | A1 | 4/2012 | Leggett | |
| 2012/0092812 | A1 | 4/2012 | Lewis et al. | |
| 2013/0076965 | A1 | 3/2013 | Dabov | |
| 2013/0113348 | A1 | 5/2013 | Holben et al. | |
| 2013/0175186 | A1 | 7/2013 | Simmer | |

U.S. Appl. No. 29/481,925, filed Feb. 12, 2014; Akana et al.
U.S. Appl. No. 29/575,610, filed Aug. 26, 2016; Akana et al.

* cited by examiner

Primary Examiner — Michelle E. Wilson

Assistant Examiner — Clese Moore, Jr.

(74) *Attorney, Agent, or Firm* — Sterne, Kessler,
Goldstein & Fox P.L.L.C.

(57) CLAIM

The ornamental design for a display for an electronic device,
as shown and described.

FOREIGN PATENT DOCUMENTS

| | | |
|----|---------|---------|
| JP | 1351273 | 2/2009 |
| JP | 1474567 | 7/2013 |
| JP | 1481759 | 10/2013 |
| JP | 1496834 | 5/2014 |
| TW | D136926 | 9/2010 |
| TW | D137773 | 11/2010 |
| TW | D139493 | 11/2011 |
| TW | D147559 | 6/2012 |

OTHER PUBLICATIONS

U.S. Appl. No. 29/368,831, filed Aug. 30, 2010; Akana et al.
U.S. Appl. No. 29/384,914, filed Feb. 4, 2011; Akana et al.
U.S. Appl. No. 29/385,792, filed Feb. 18, 2011; Akana et al.
U.S. Appl. No. 29/466,514, filed Sep. 9, 2013; Akana et al.
U.S. Appl. No. 29/501,776, filed Sep. 8, 2014; Akana et al.

DESCRIPTION

FIG. 1 is a bottom front perspective view of a display for an
electronic device showing the claimed design;
FIG. 2 is a bottom rear perspective view thereof;
FIG. 3 is a rear view thereof;
FIG. 4 is a front view thereof;
FIG. 5 is a left side view thereof;
FIG. 6 is a right side view thereof;
FIG. 7 is a bottom view thereof; and,
FIG. 8 is a top plan view thereof.

The broken lines in the figures and the areas within the
broken lines show portions of the display for an electronic
device that form no part of the claimed design.

1 Claim, 6 Drawing Sheets

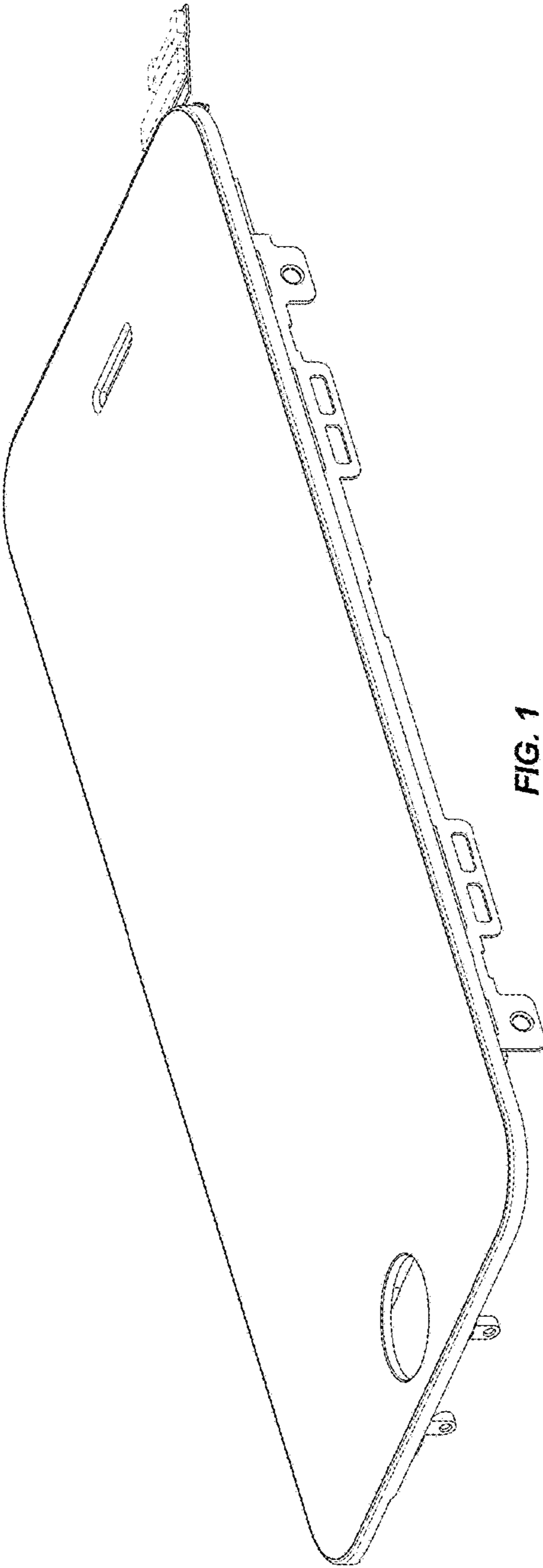
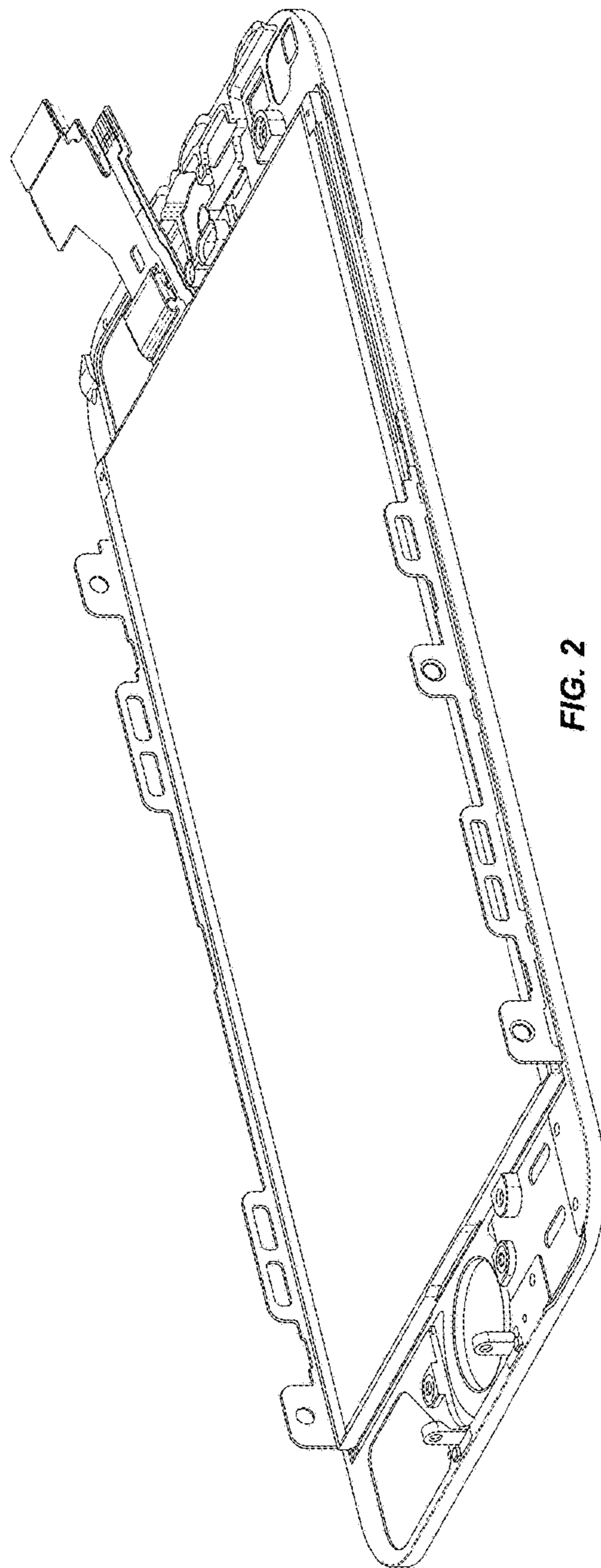


FIG. 1



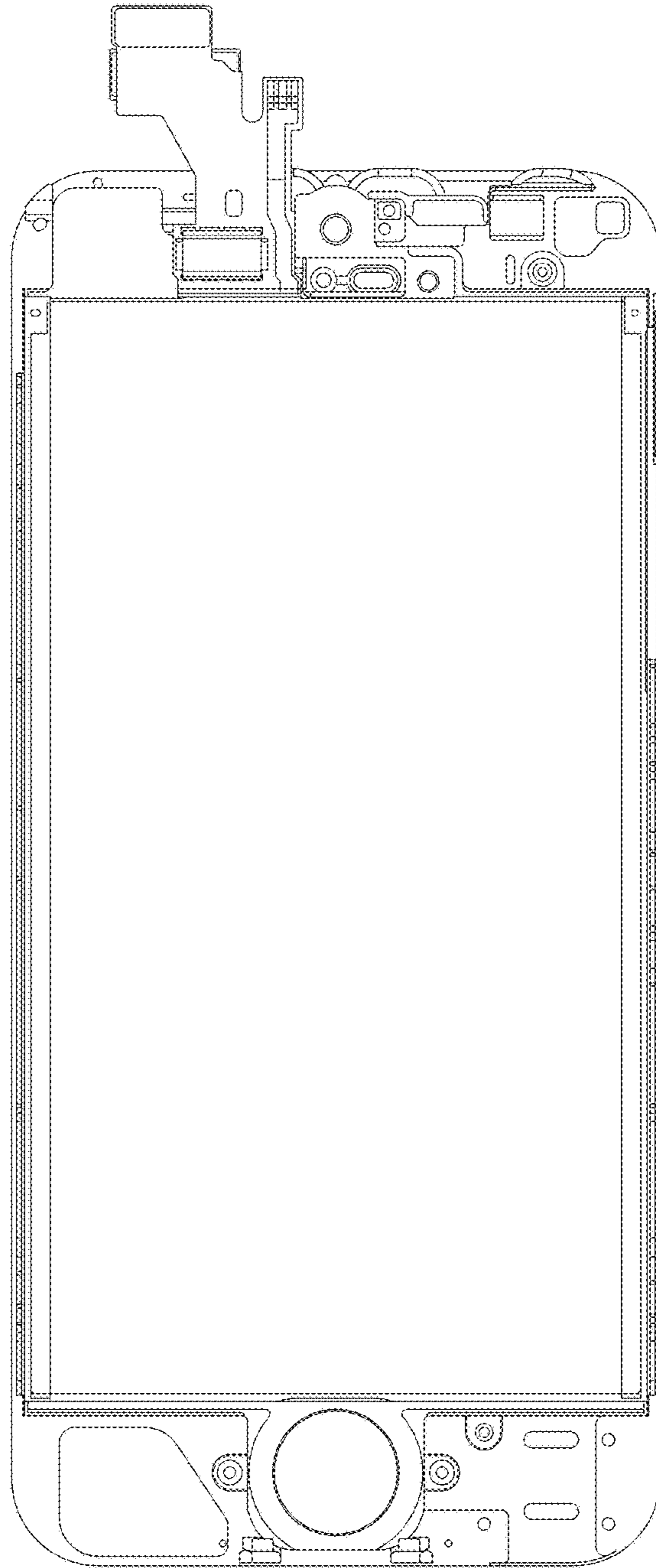


FIG. 3

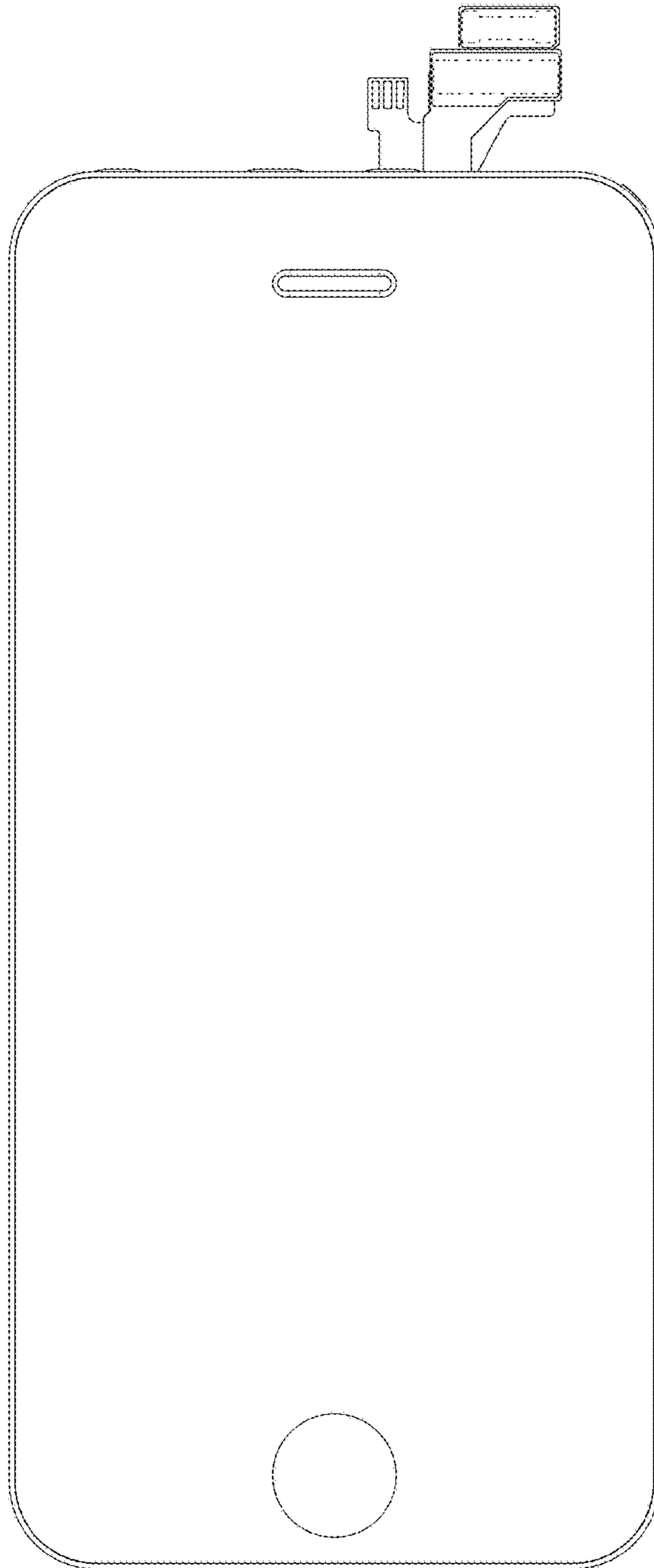


FIG. 4

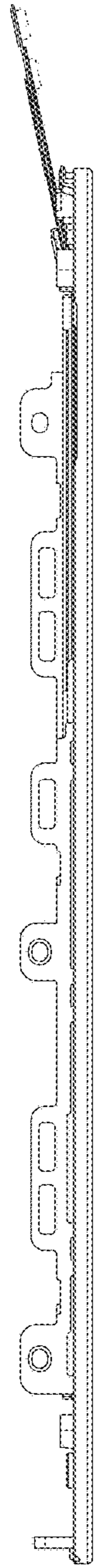


FIG. 5

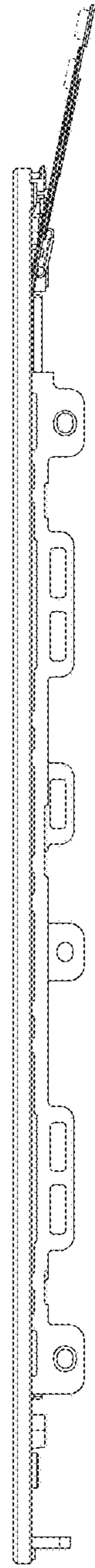


FIG. 6

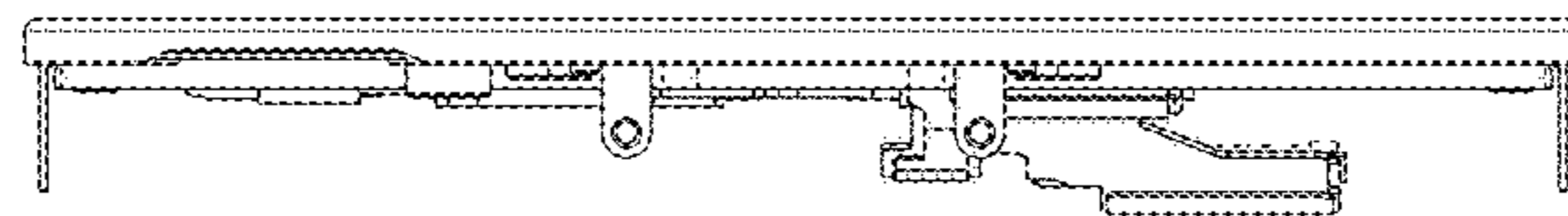


FIG. 7

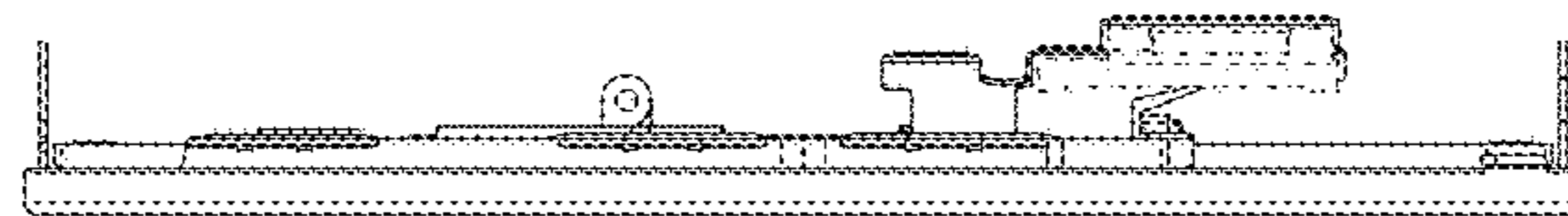


FIG. 8