



US00D853994S

(12) **United States Design Patent**
Lin

(10) **Patent No.:** **US D853,994 S**
(45) **Date of Patent:** **** Jul. 16, 2019**

(54) **WIRELESS EARPHONE**
(71) Applicant: **SHENZHEN DACOM ELECTRONICS CO., LTD.**, Shenzhen (CN)
(72) Inventor: **Chuqiang Lin**, Shenzhen (CN)
(73) Assignee: **SHENZHEN DACOM ELECTRONICS CO., LTD.**, Shenzhen (CN)
(**) Term: **15 Years**
(21) Appl. No.: **29/633,671**
(22) Filed: **Jan. 15, 2018**
(30) **Foreign Application Priority Data**

Jul. 18, 2017 (CN) 2017 3 0317800
(51) **LOC (11) Cl.** **14-01**
(52) **U.S. Cl.**
USPC **D14/223**
(58) **Field of Classification Search**
USPC D14/223, 205, 188, 192, 150, 155, 156, D14/137, 160, 167, 191; 181/129, 130, 181/135; 379/430, 431; 381/380, 381, 381/374; 455/90, 3, 575.1, 569.1
CPC H04R 1/10; H04R 25/00; H04R 1/1016; H04R 1/1066; H04R 5/033; H04R 5/0335; H04R 1/105
See application file for complete search history.

(56) **References Cited**
U.S. PATENT DOCUMENTS
4,375,016 A * 2/1983 Harada H04R 25/656 181/135
D389,139 S * 1/1998 Oross D14/137
6,920,344 B2 * 7/2005 Jang H01Q 1/245 361/752

6,922,476 B2 * 7/2005 Nassimi H04R 1/1058 381/380
D519,101 S * 4/2006 Alwicker D14/188
7,062,057 B2 * 6/2006 Wu H02J 7/0045 381/312
D529,901 S * 10/2006 Ohta D14/223
D536,692 S * 2/2007 Alwicker D14/188
D538,271 S * 3/2007 Kim D14/223
D539,787 S * 4/2007 Kim D14/223
D543,972 S * 6/2007 Taylor D14/223
D550,215 S * 9/2007 Udagawa D14/223
D552,596 S * 10/2007 Christopher D14/205
D553,613 S * 10/2007 Sade D14/223
D555,151 S * 11/2007 Eklund D14/223
D559,836 S * 1/2008 Lee D14/223
D566,103 S * 4/2008 Sade D14/223
D566,692 S * 4/2008 Sade D14/223
D568,301 S * 5/2008 Kim D14/205
D573,582 S * 7/2008 Ma D14/205
D573,982 S * 7/2008 Monsky D14/218

(Continued)

Primary Examiner — Paula Allen Greene
(74) *Attorney, Agent, or Firm* — Peter J. Ims; Westman, Champlin & Koehler, P.A.

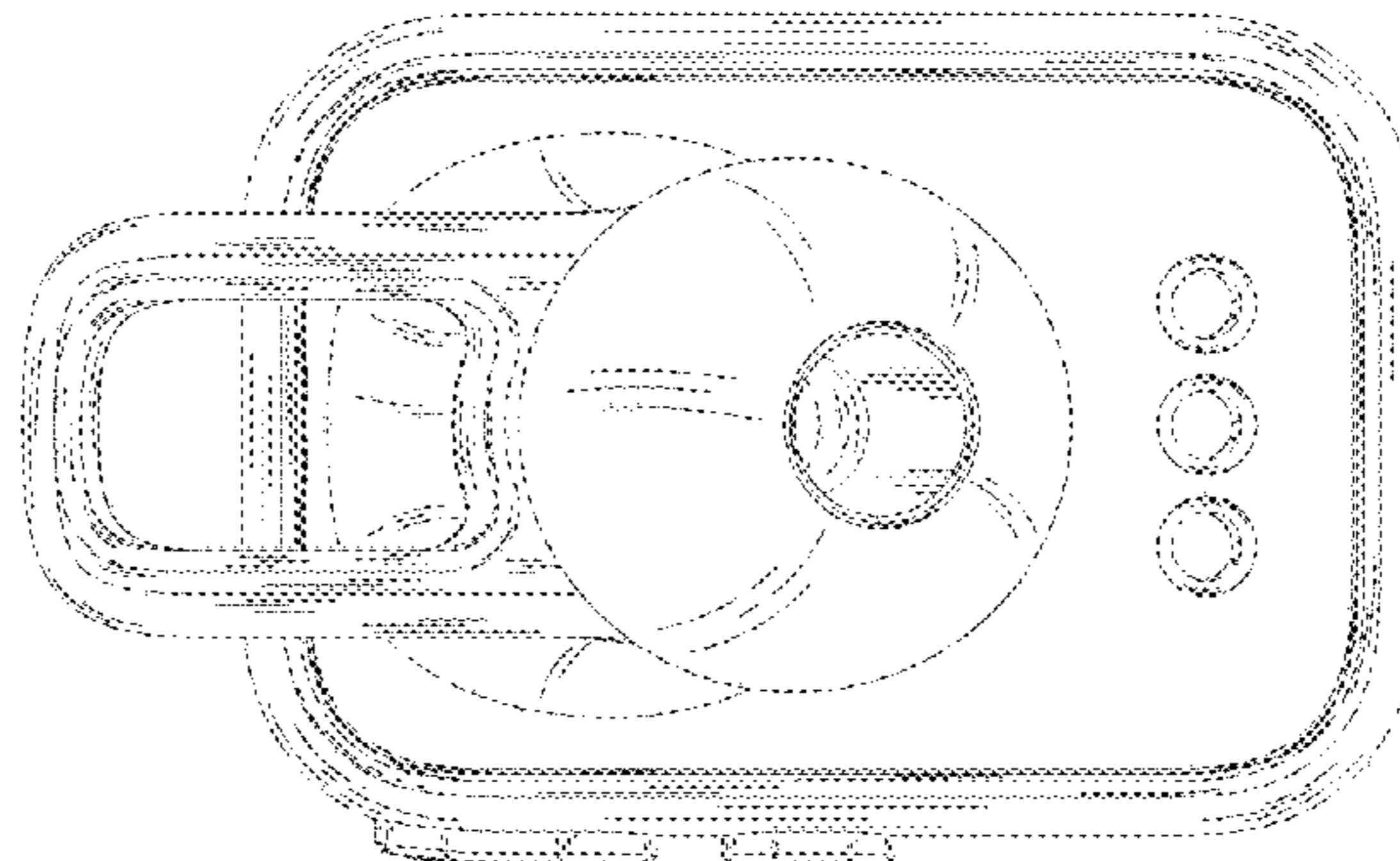
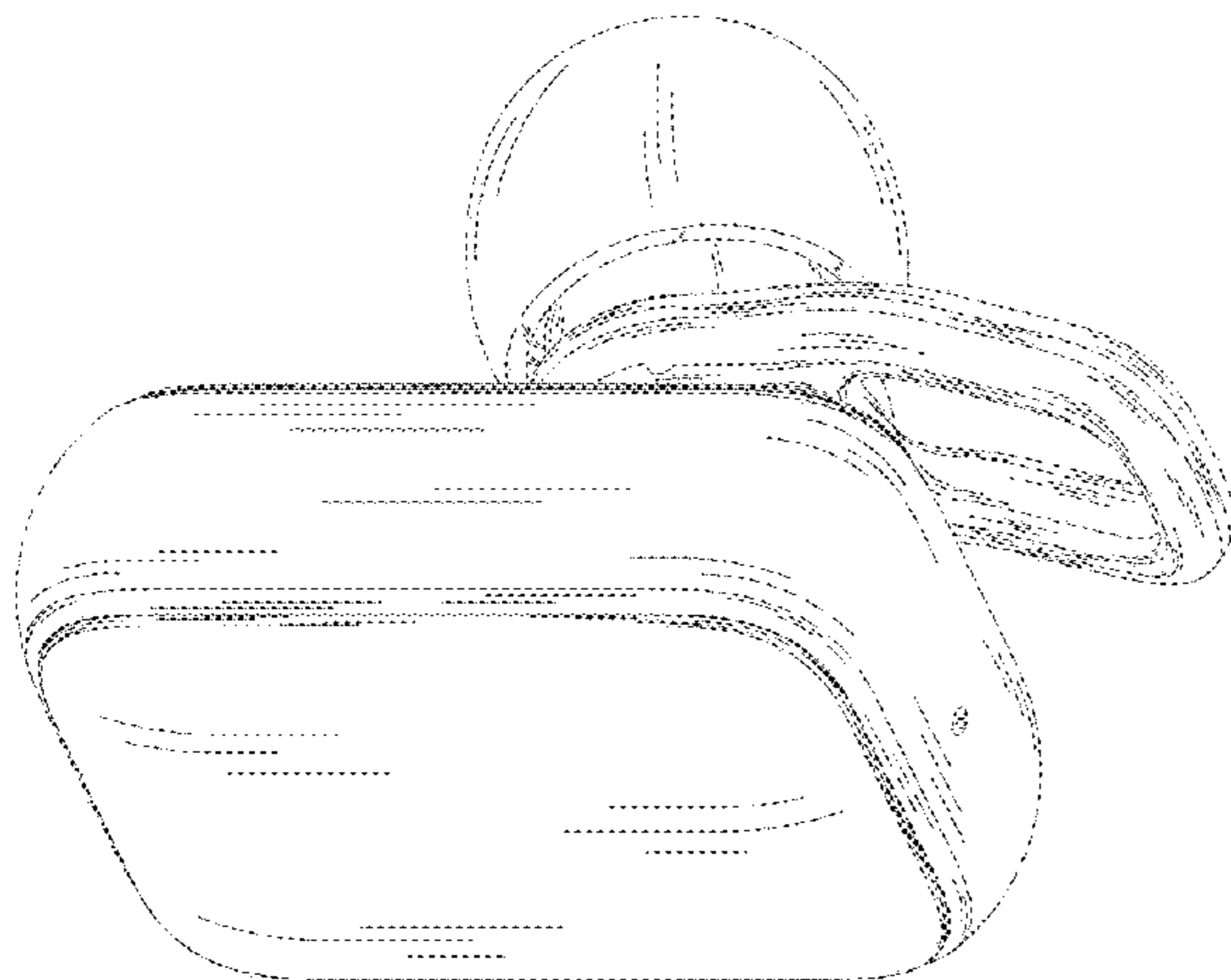
(57) **CLAIM**

The ornamental design for wireless earphone, as shown and described.

DESCRIPTION

FIG. 1 is a perspective view of a wireless earphone; FIG. 2 is a front view of the wireless earphone; FIG. 3 is a back view of the wireless earphone; FIG. 4 is a left view of the wireless earphone; FIG. 5 is a right side view of the wireless earphone; FIG. 6 is a top side view of the wireless earphone; and, FIG. 7 is a bottom view of the wireless earphone. The broken lines shown in the drawings disclosure are for illustrative purposes only and form no part of the claimed design.

1 Claim, 7 Drawing Sheets



(56)

References Cited

U.S. PATENT DOCUMENTS

D573,983 S * 7/2008 Bang D14/223
 D574,367 S * 8/2008 Jaakkola D14/205
 D578,111 S * 10/2008 Shinozuka D14/205
 D579,924 S * 11/2008 Sade D14/223
 D579,925 S * 11/2008 Jaakkola D14/205
 D581,396 S * 11/2008 Wikel D14/206
 D582,897 S * 12/2008 Christopher D14/223
 D583,805 S * 12/2008 Jaakkola D14/223
 D584,283 S * 1/2009 Soetejo D14/205
 D588,113 S * 3/2009 Bradford D14/223
 D590,377 S * 4/2009 Bradford D14/223
 D594,443 S * 6/2009 Lee D14/223
 7,542,564 B2 * 6/2009 Jaakkola H04R 1/105
 379/430
 D596,165 S * 7/2009 Henning D14/223
 D596,166 S * 7/2009 Henning D14/223
 D597,084 S * 7/2009 Gondo D14/223
 D597,534 S * 8/2009 Christopher D14/223
 D598,900 S * 8/2009 Wikel D14/223
 D602,007 S * 10/2009 Lee D14/223
 D604,722 S * 11/2009 Mistry D14/223
 7,680,267 B2 * 3/2010 Bradford H04R 1/1058
 379/430
 D637,183 S * 5/2011 March D14/223
 D640,242 S * 6/2011 Fahrendorff D14/223

D649,957 S * 12/2011 Fahrendorff D14/223
 8,285,208 B2 * 10/2012 Terlizzi H04M 1/05
 455/41.2
 D676,026 S * 2/2013 Lee D14/223
 D693,796 S * 11/2013 Birger D14/223
 D699,215 S * 2/2014 Koch D14/205
 D700,905 S * 3/2014 Pavitsich D14/223
 D702,732 S * 4/2014 Wu D14/203.5
 D705,757 S * 5/2014 Yashiro H04R 1/10
 D14/223
 D711,356 S * 8/2014 Yang D14/223
 D782,442 S * 3/2017 Chen D14/205
 D785,594 S * 5/2017 Zaihui D14/205
 D788,079 S * 5/2017 Son D14/223
 D790,501 S * 6/2017 Wang D14/205
 D800,097 S * 10/2017 Chen D14/223
 D801,950 S * 11/2017 Otani D14/223
 D808,360 S * 1/2018 Arimoto D14/205
 D840,372 S * 2/2019 Carr D14/205
 2006/0039574 A1 * 2/2006 Chen H04R 1/1058
 381/151
 2011/0176699 A1 * 7/2011 Lin H04R 1/1016
 381/374
 2014/0205125 A1 * 7/2014 Triato H04R 1/1066
 381/330
 2016/0037248 A1 * 2/2016 Cheng H04R 1/105
 381/74

* cited by examiner

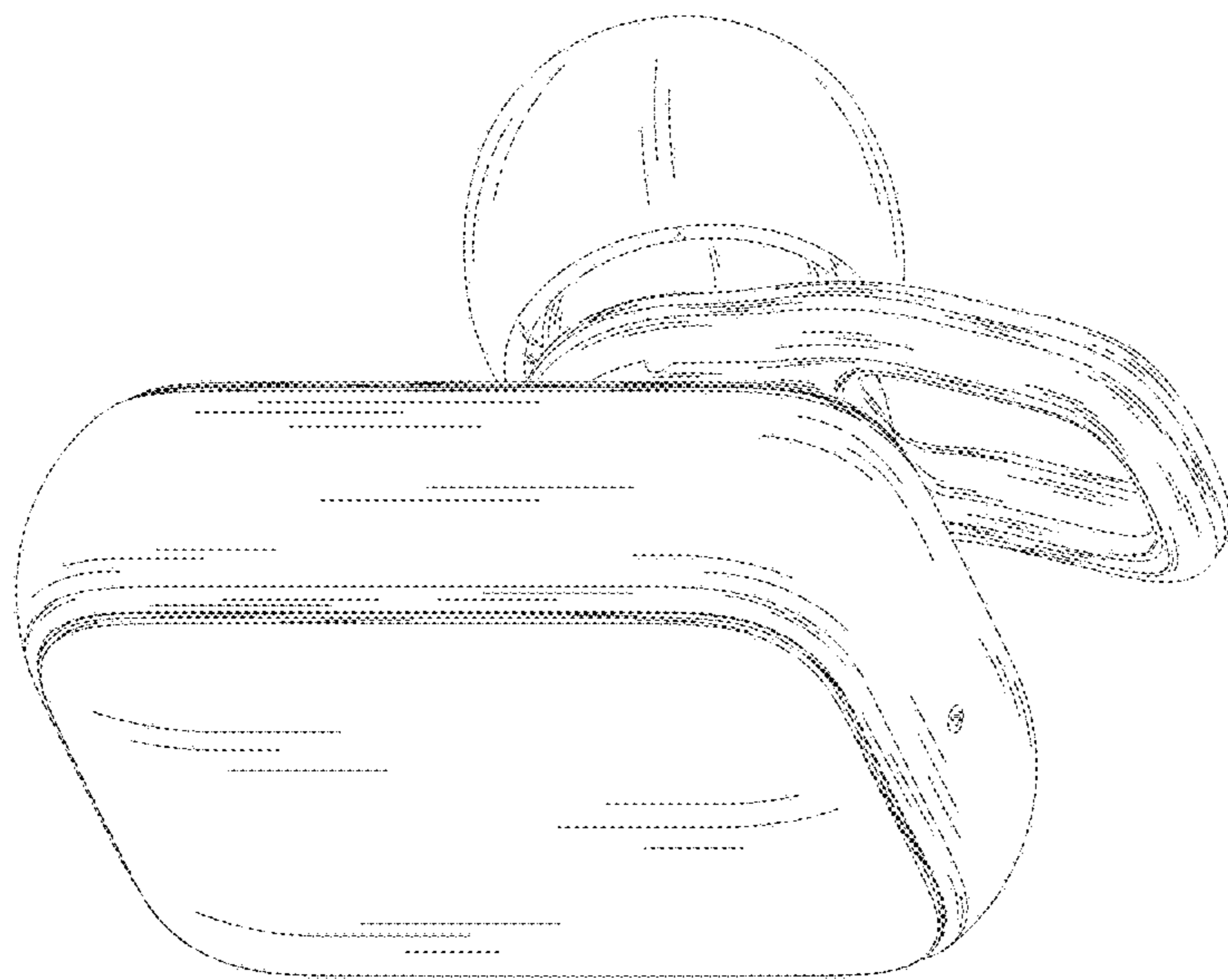


FIG. 1

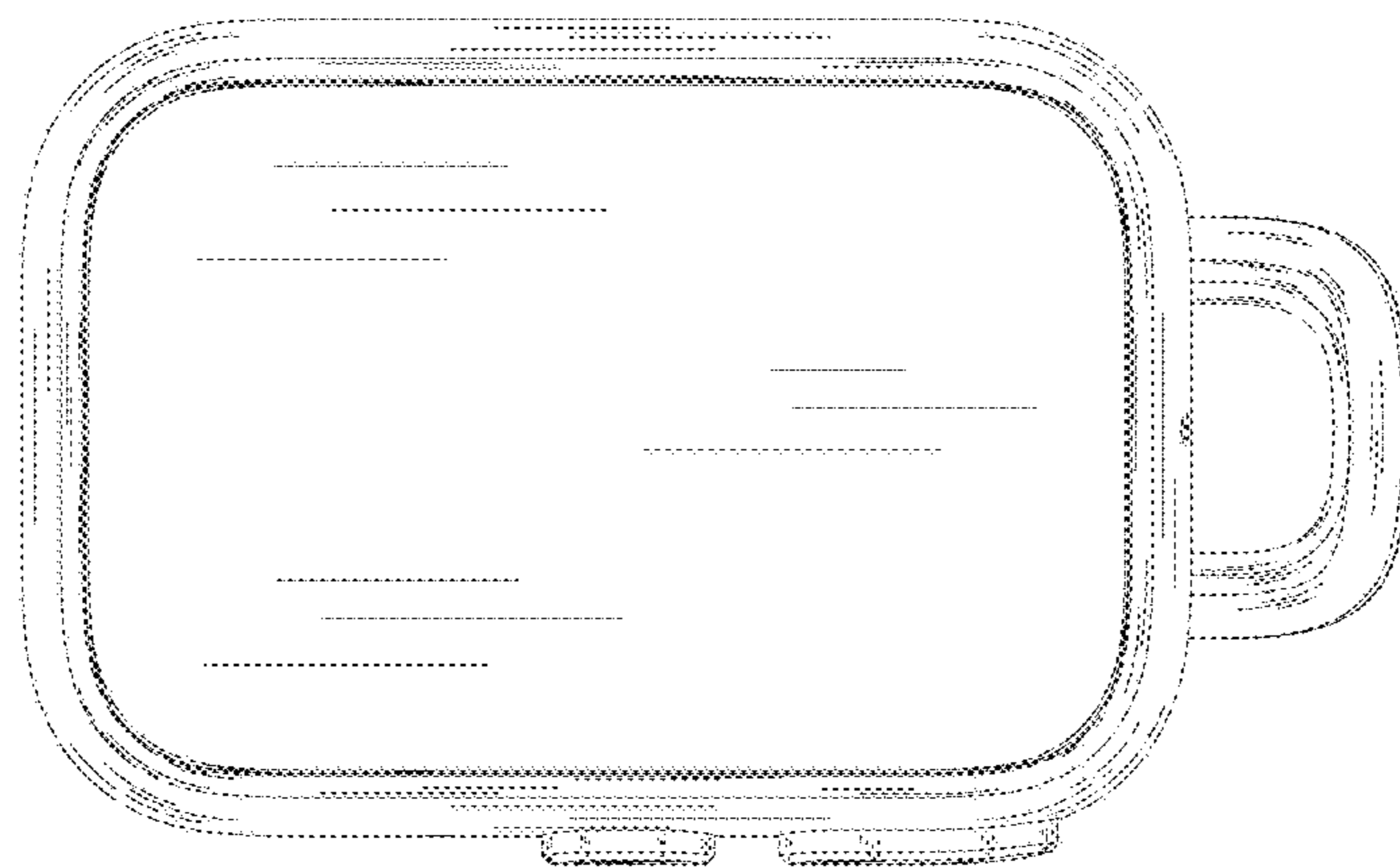


FIG. 2

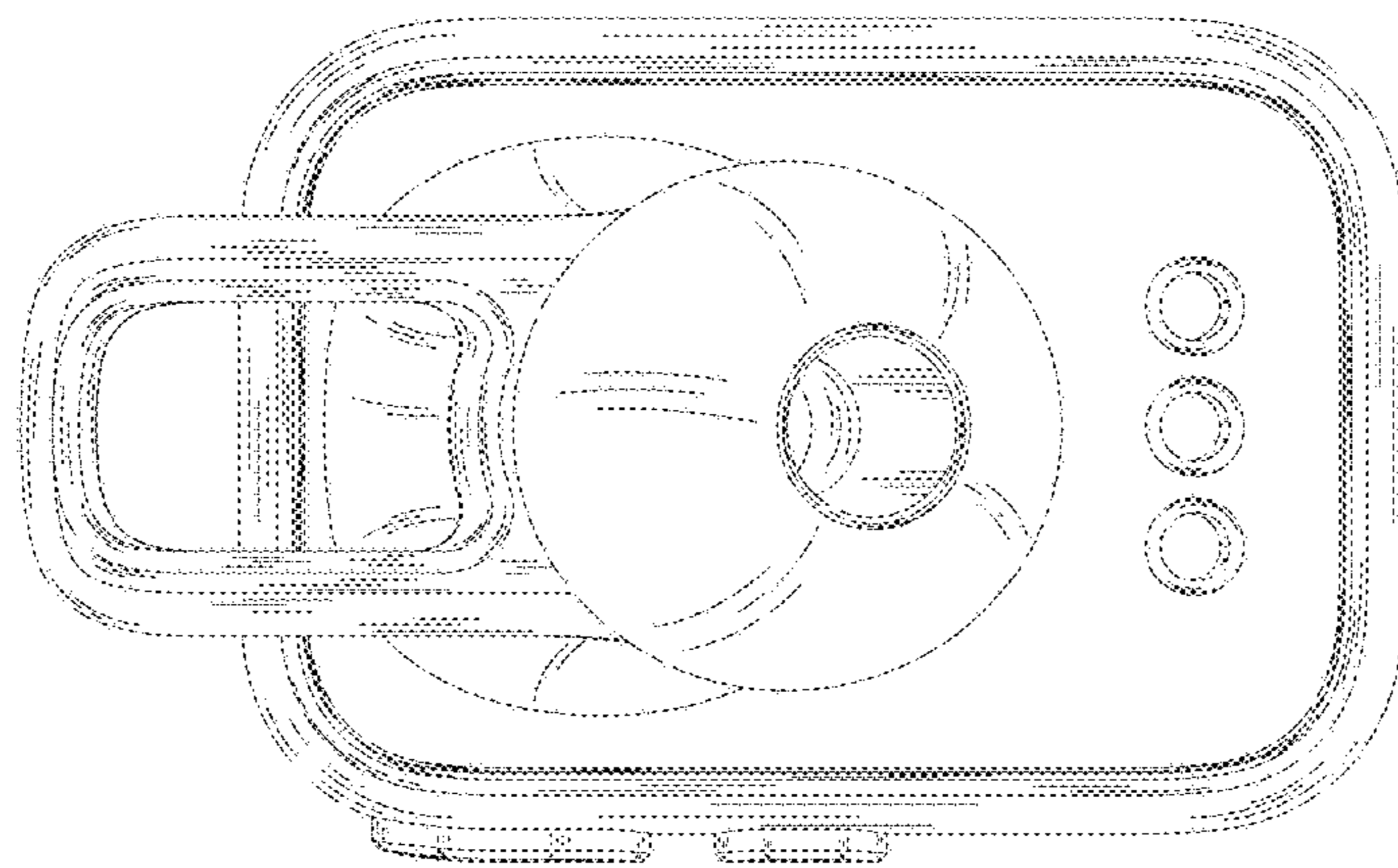


FIG. 3

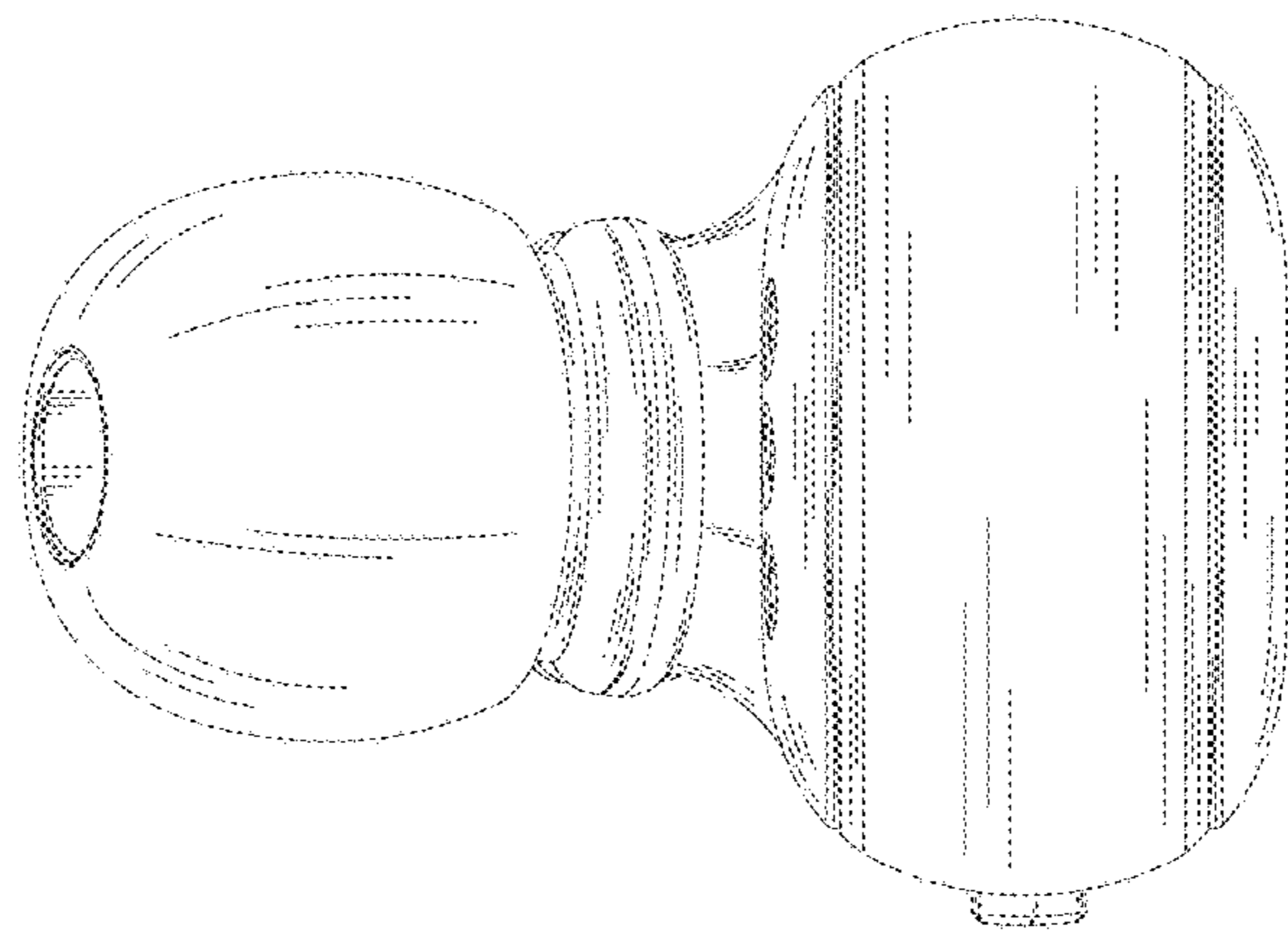


FIG. 4

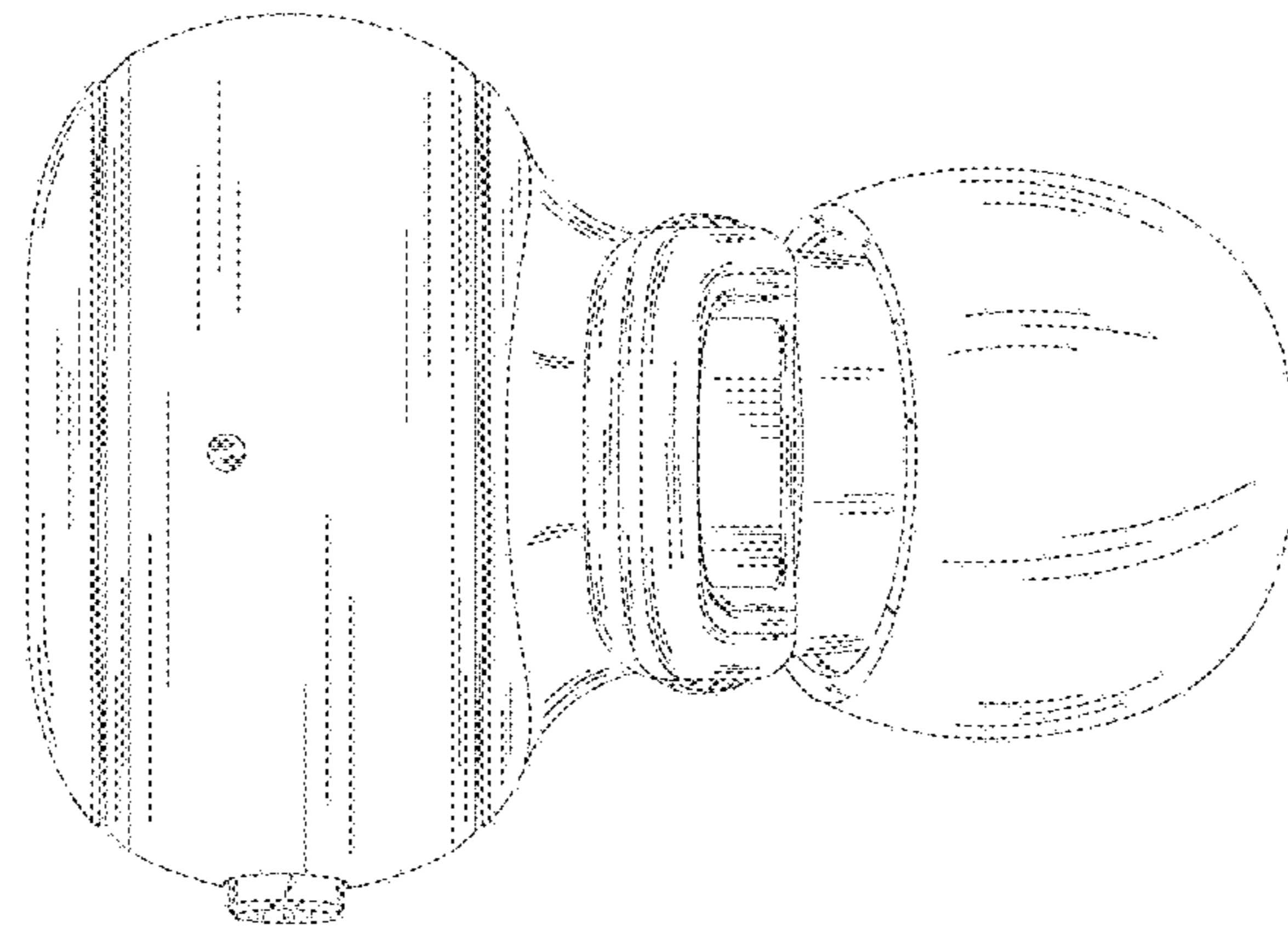


FIG. 5

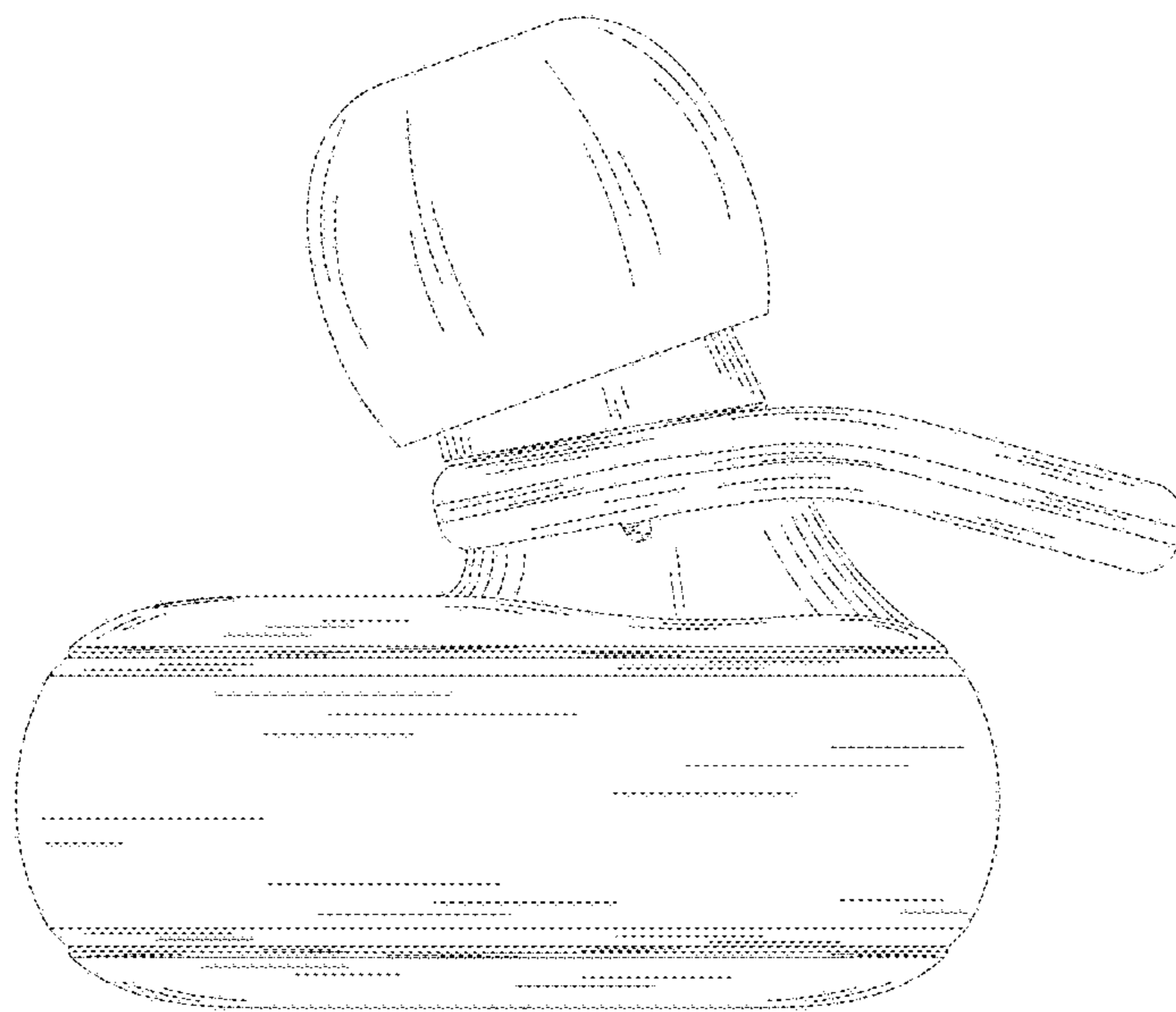


FIG. 6

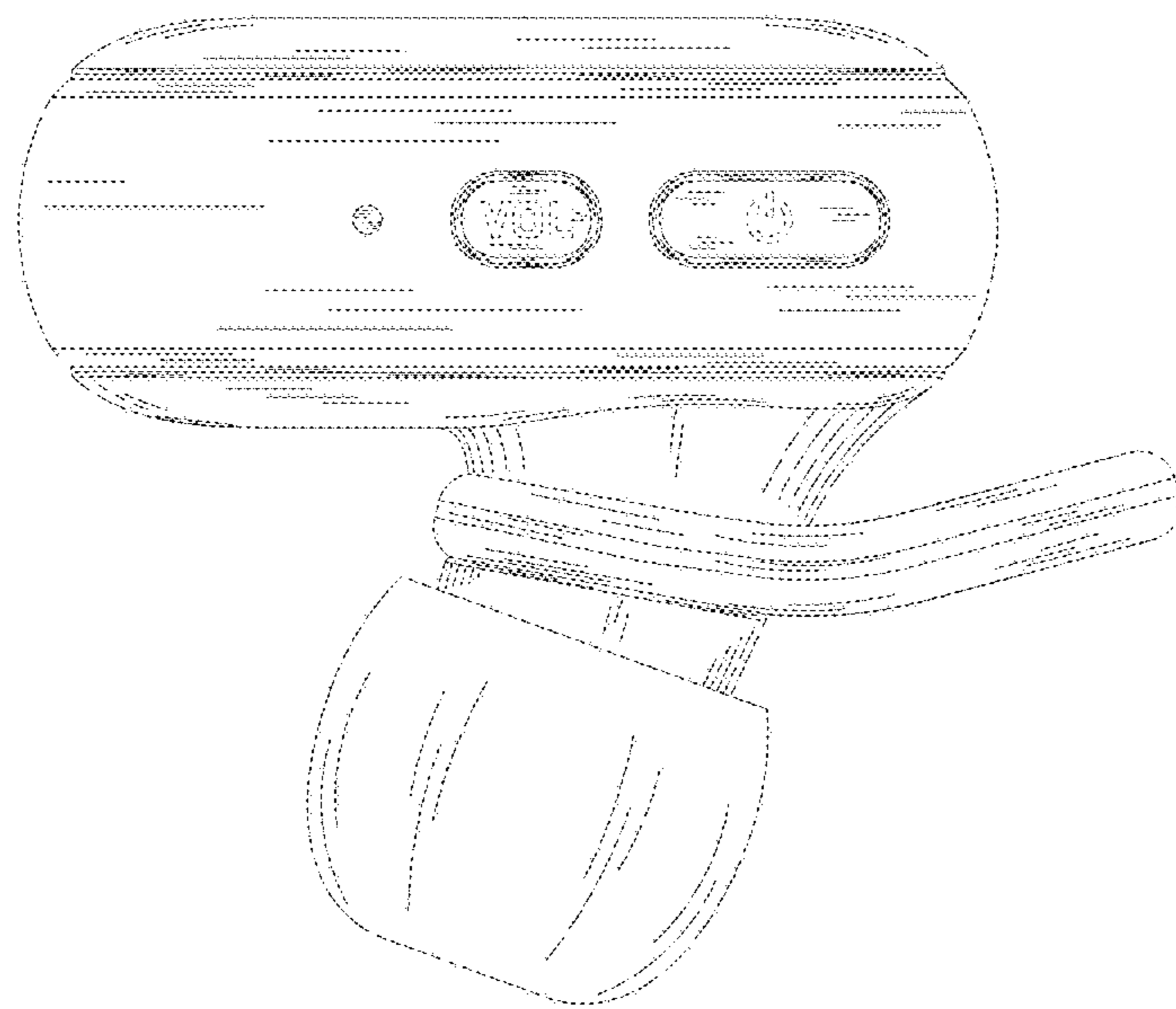


FIG. 7