



US00D853993S

(12) **United States Design Patent**
Kuh et al.

(10) **Patent No.:** **US D853,993 S**
(45) **Date of Patent:** **** Jul. 16, 2019**

(54) **HEARING DEVICE**

- (71) Applicant: **Starkey Laboratories, Inc.**, Eden Prairie, MN (US)
- (72) Inventors: **Christopher Kuh**, San Francisco, CA (US); **Achille Biteau**, San Francisco, CA (US); **James Swasey**, San Francisco, CA (US); **Sidney A. Higgins**, Maple Grove, MN (US)
- (73) Assignee: **Starkey Laboratories, Inc.**, Eden Prairie, MN (US)
- (**) Term: **15 Years**

(21) Appl. No.: **29/594,400**

(22) Filed: **Feb. 17, 2017**

(51) **LOC (11) Cl.** **14-01**

(52) **U.S. Cl.**
USPC **D14/223; D24/174**

(58) **Field of Classification Search**
USPC D14/223, 205; D24/174; 128/864, 865, 128/866; 181/129, 130, 135; 379/430, 379/431; 381/380, 381, 374, 74; 455/90.3, 575.1, 569.1
CPC H04R 1/10; H04R 25/00; H04R 1/1016; H04R 1/1066; H04R 5/033; H04R 5/0335
See application file for complete search history.

(56) **References Cited**

U.S. PATENT DOCUMENTS

- 2,513,746 A * 7/1950 Rohr H04R 25/604 181/135
- 2,739,660 A * 3/1956 French H04R 25/60 181/135
- 2,930,856 A * 3/1960 Toht H04R 25/652 381/322
- 4,090,042 A * 5/1978 Larkin H04B 1/385 181/20
- 4,118,606 A * 10/1978 Larkin H04B 1/385 181/20

(Continued)

OTHER PUBLICATIONS

U.S. Appl. No. 29/594,399, filed Feb. 17, 2017, Kuh et al.

Primary Examiner — Paula Allen Greene

(74) *Attorney, Agent, or Firm* — Mueting, Raasch & Gebhardt, P.A.

(57) **CLAIM**

The ornamental design for a hearing device, as shown and described.

DESCRIPTION

FIG. 1 is a front elevation view of a hearing device in accordance with the claimed design and shown relative to an ear;

FIG. 2 is a front right perspective view of the design of FIG. 1;

FIG. 3 is a front elevation view of the design of FIG. 1; FIG. 4 is a rear elevation view of the design of FIG. 1; FIG. 5 is a right side elevation view of the design of FIG. 1; FIG. 6 is a left side elevation view of the design of FIG. 1; FIG. 7 is a top plan view of the design of FIG. 1; and, FIG. 8 is a bottom plan view of the design of FIG. 1.

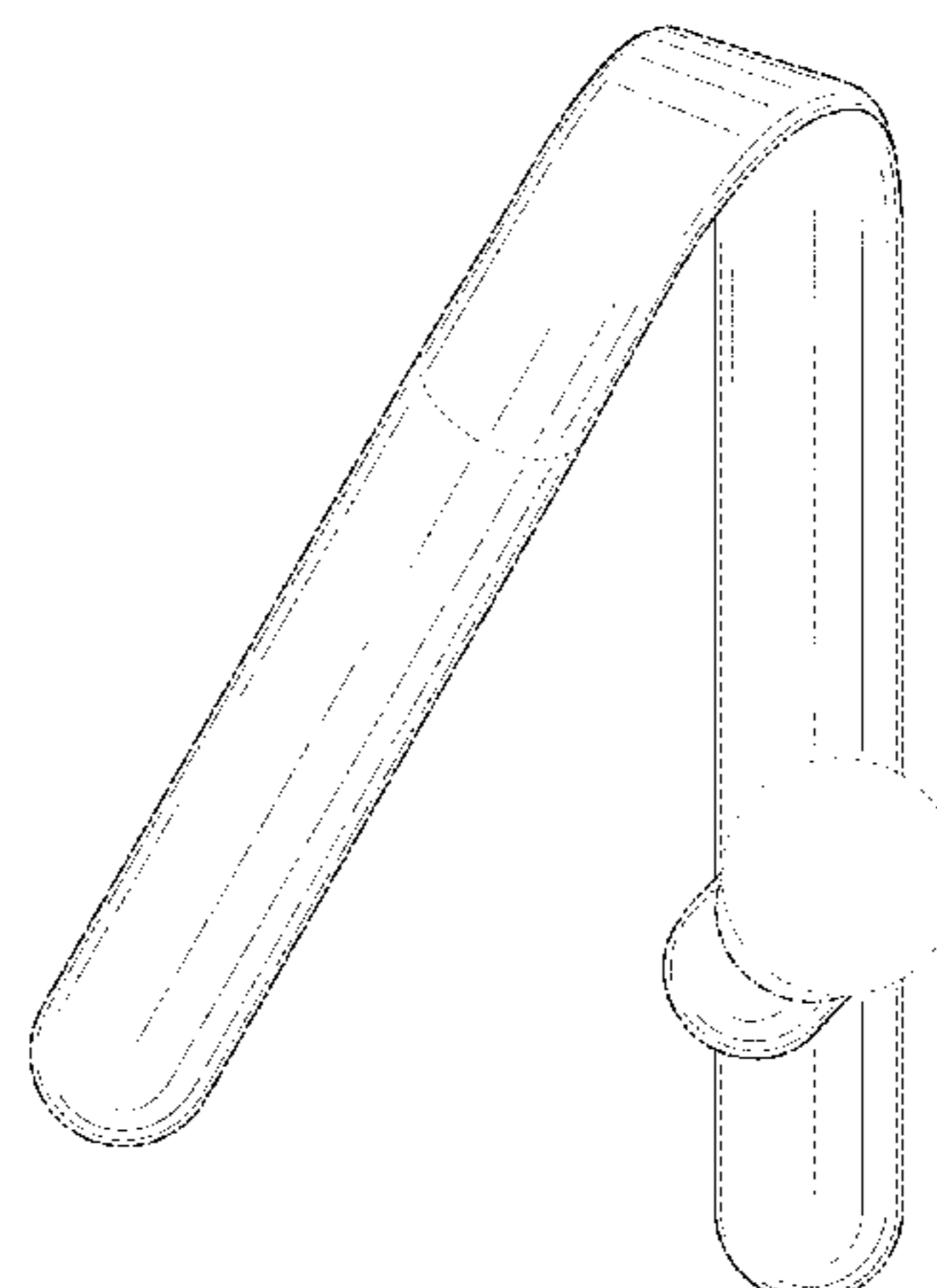
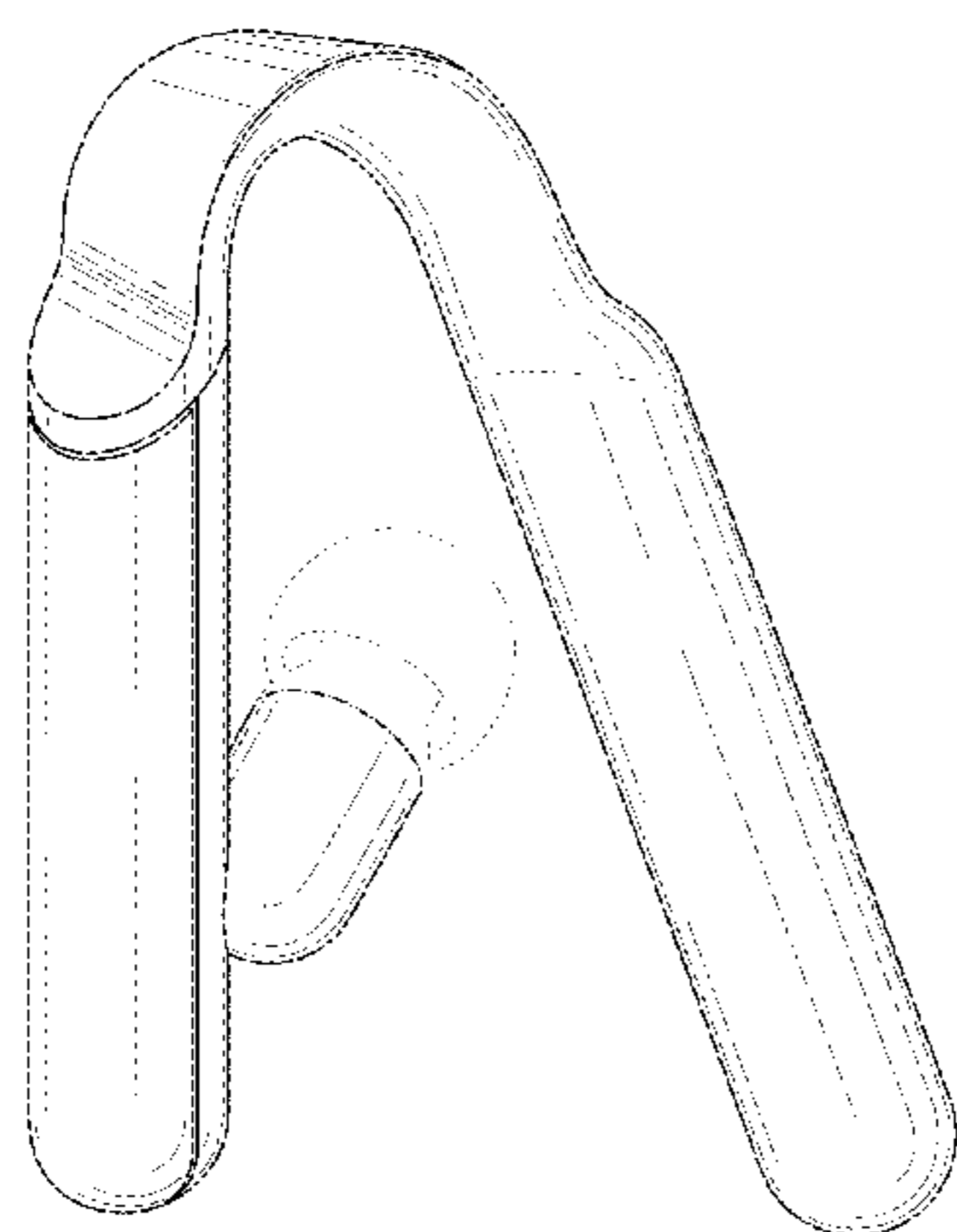
The ornamental design also includes the mirror images of the views illustrated in FIGS. 1-8.

The dash-dash broken lines in the figures represent environment and form no part of the claimed design.

The dot-dash broken lines in the figures immediately adjacent the solid lines represent a boundary between claimed and unclaimed subject matter and form no part of the claimed design.

The labels used herein to describe orientation (e.g., top, bottom, left, right) are merely for reference and are not intended to limit the interpretation of the design.

1 Claim, 8 Drawing Sheets



(56)

References Cited

U.S. PATENT DOCUMENTS

4,617,431 A *	10/1986	Scott	H04M 1/05	7,570,977 B2 *	8/2009	Gantz	H04M 1/05
				181/20					379/430
D309,305 S *	7/1990	von Hall	D14/225	7,648,005 B2 *	1/2010	Leong	A61F 11/08
D326,268 S *	5/1992	Le Tixerant	D14/251					128/867
5,210,792 A *	5/1993	Kajihara	H04M 1/05	D611,933 S *	3/2010	Burnham	D14/223
				379/430	D641,008 S	7/2011	Lee et al.		
D350,757 S *	9/1994	Carpenter	D14/223	D641,884 S *	7/2011	Laperle	D24/174
D363,487 S *	10/1995	Thurnau	D14/224	7,983,437 B2 *	7/2011	Wong	H04R 1/1075
5,729,615 A *	3/1998	Yang	H04R 1/1066					381/182
				181/129	D645,136 S *	9/2011	Rosati	D24/106
D395,653 S *	6/1998	Read	D14/142	D670,396 S *	11/2012	Doogan	D24/200
D421,755 S *	3/2000	Pitel	D14/223	8,345,912 B2 *	1/2013	Akihiko	H04R 1/105
D441,739 S *	5/2001	Hayes	D14/223					379/430
6,396,935 B1 *	5/2002	Makkonen	H04B 1/385	D695,275 S	12/2013	Chee		
				379/430	D695,276 S	12/2013	Chee		
D470,479 S *	2/2003	Skulley	D14/223	D698,026 S *	1/2014	Kuwata	D24/174
D480,073 S *	9/2003	Jensen	D14/224	D713,385 S *	9/2014	Burgett	D14/223
D504,672 S *	5/2005	Hirano	D14/205	8,985,538 B2 *	3/2015	Rapoport	B62J 7/08
D515,069 S *	2/2006	Naito	D14/205					248/305
D518,816 S *	4/2006	Naito	D14/205	D771,599 S *	11/2016	Kim	D14/223
7,123,737 B2 *	10/2006	Ham	H04R 1/105	D786,220 S *	5/2017	Lamb	D14/223
				381/381	2004/0008855 A1 *	1/2004	Ham	H04R 1/105
D543,968 S *	6/2007	Wong	D14/205					381/381
D575,772 S	8/2008	Schultz et al.			2004/0170294 A1 *	9/2004	Murozaki	H04R 1/105
D593,075 S *	5/2009	Williams	D14/223					381/379
D594,441 S	6/2009	Lee et al.			2007/0160245 A1 *	7/2007	Peng	H04R 1/10
									381/334
					2009/0285434 A1 *	11/2009	Williams	H04R 1/1091
									381/375

* cited by examiner

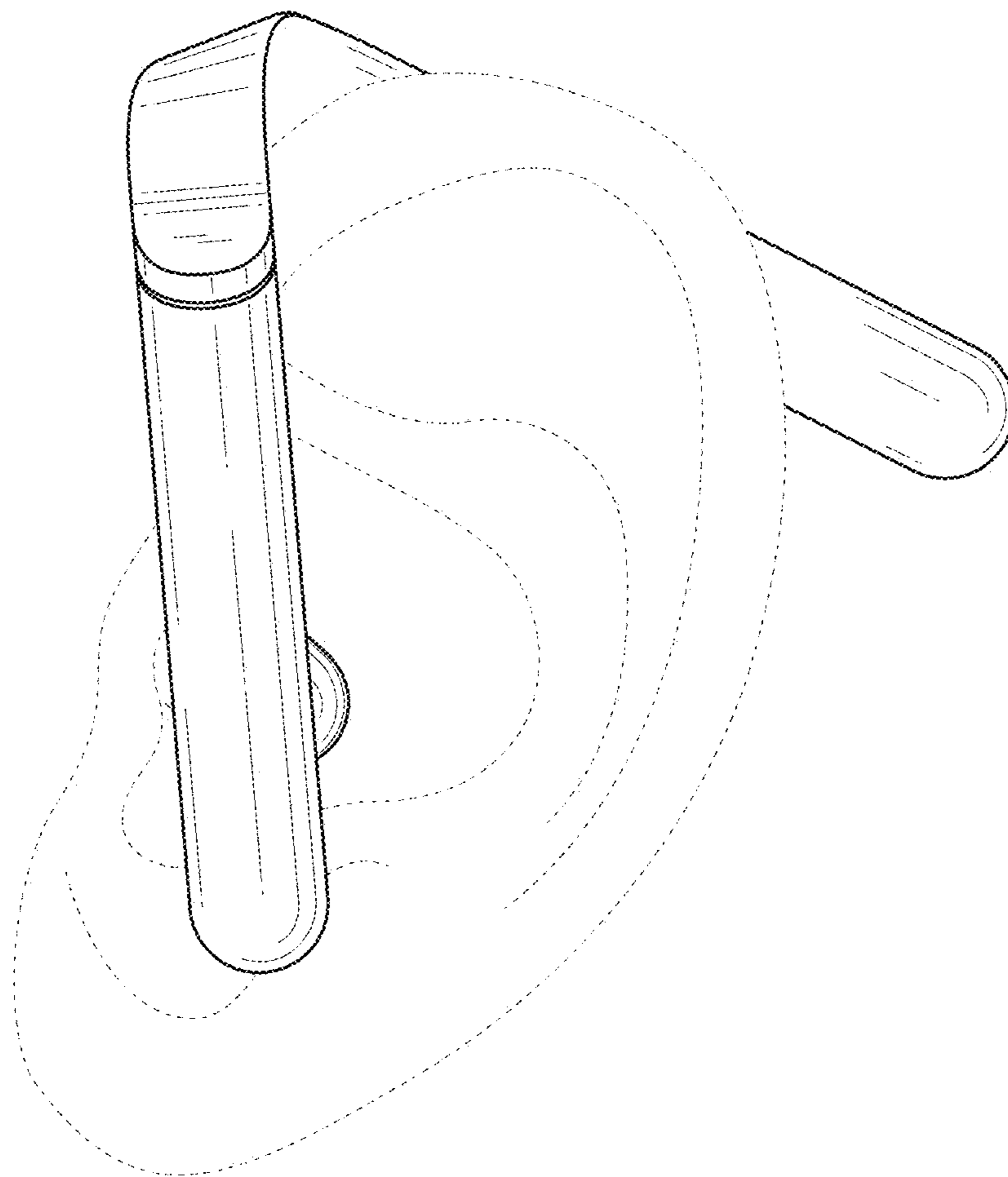


Fig. 1

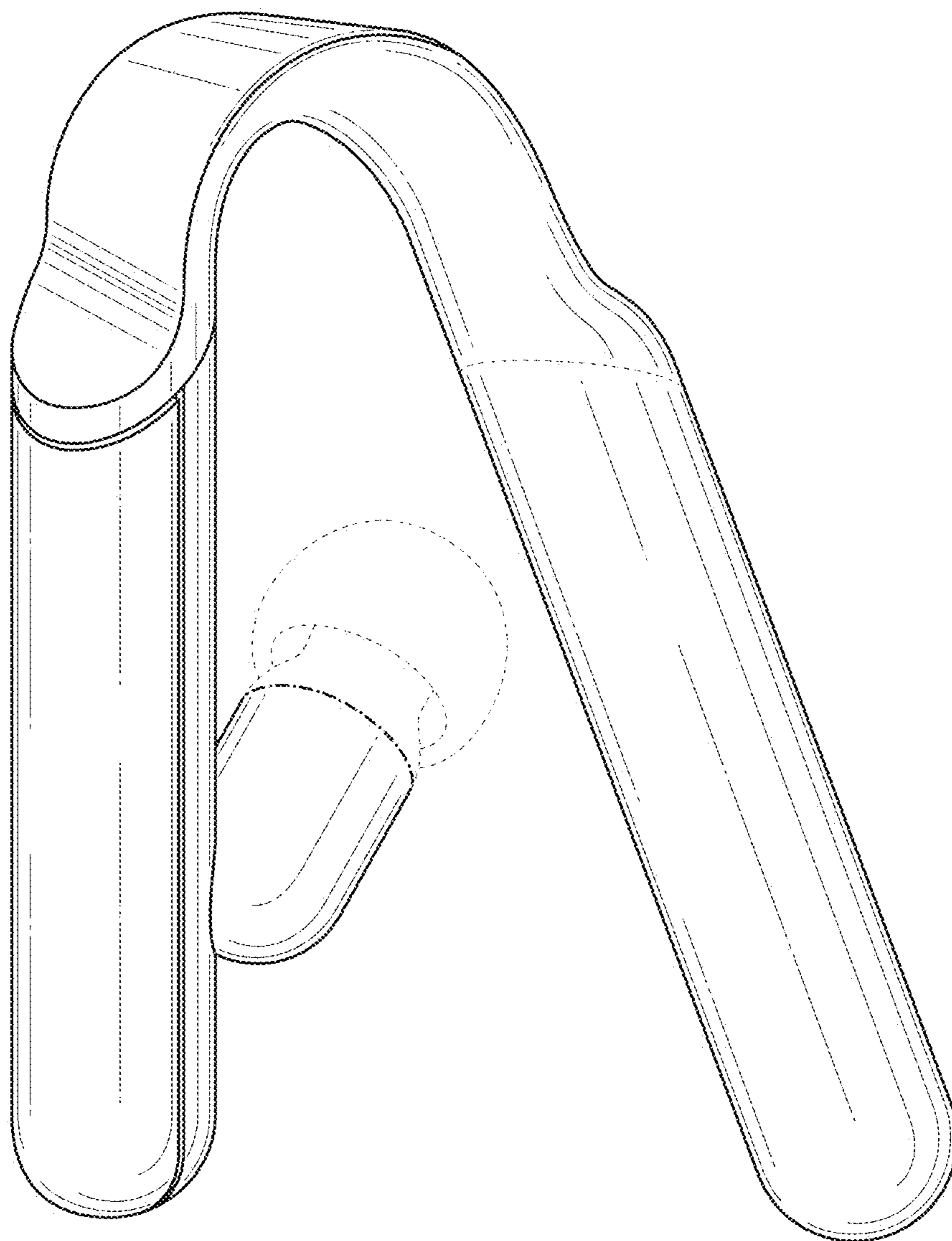


Fig. 2

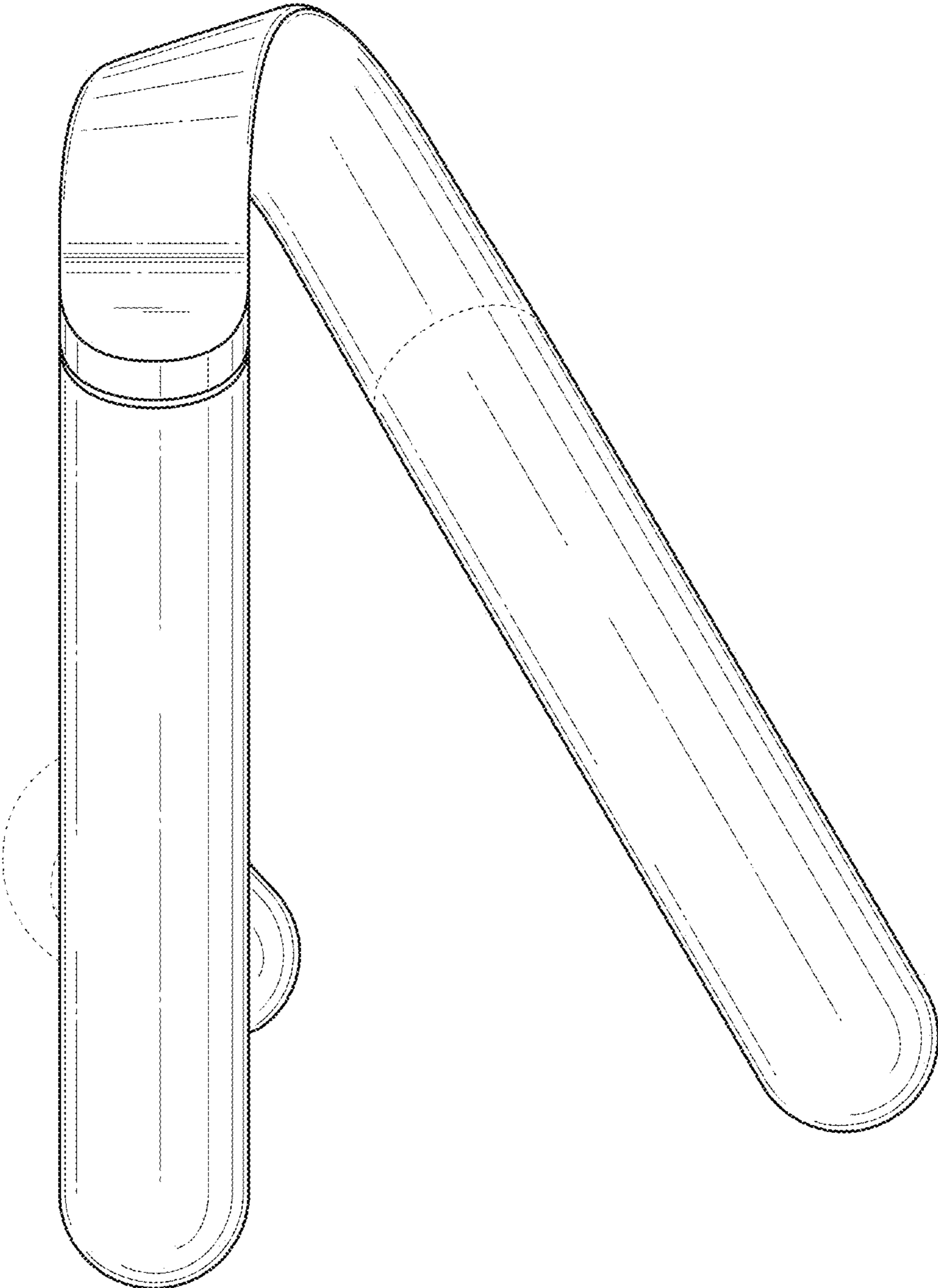


Fig. 3

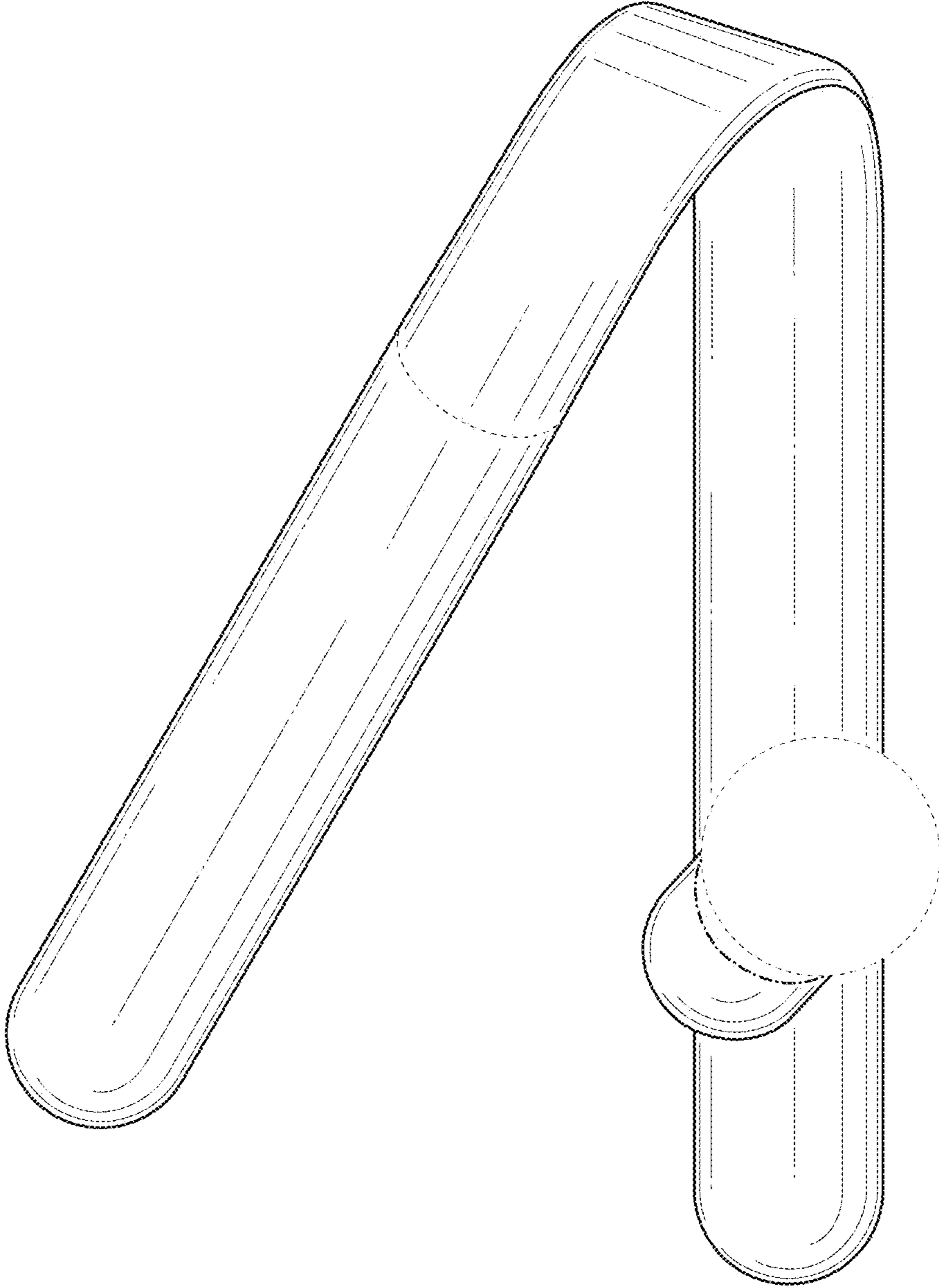


Fig. 4

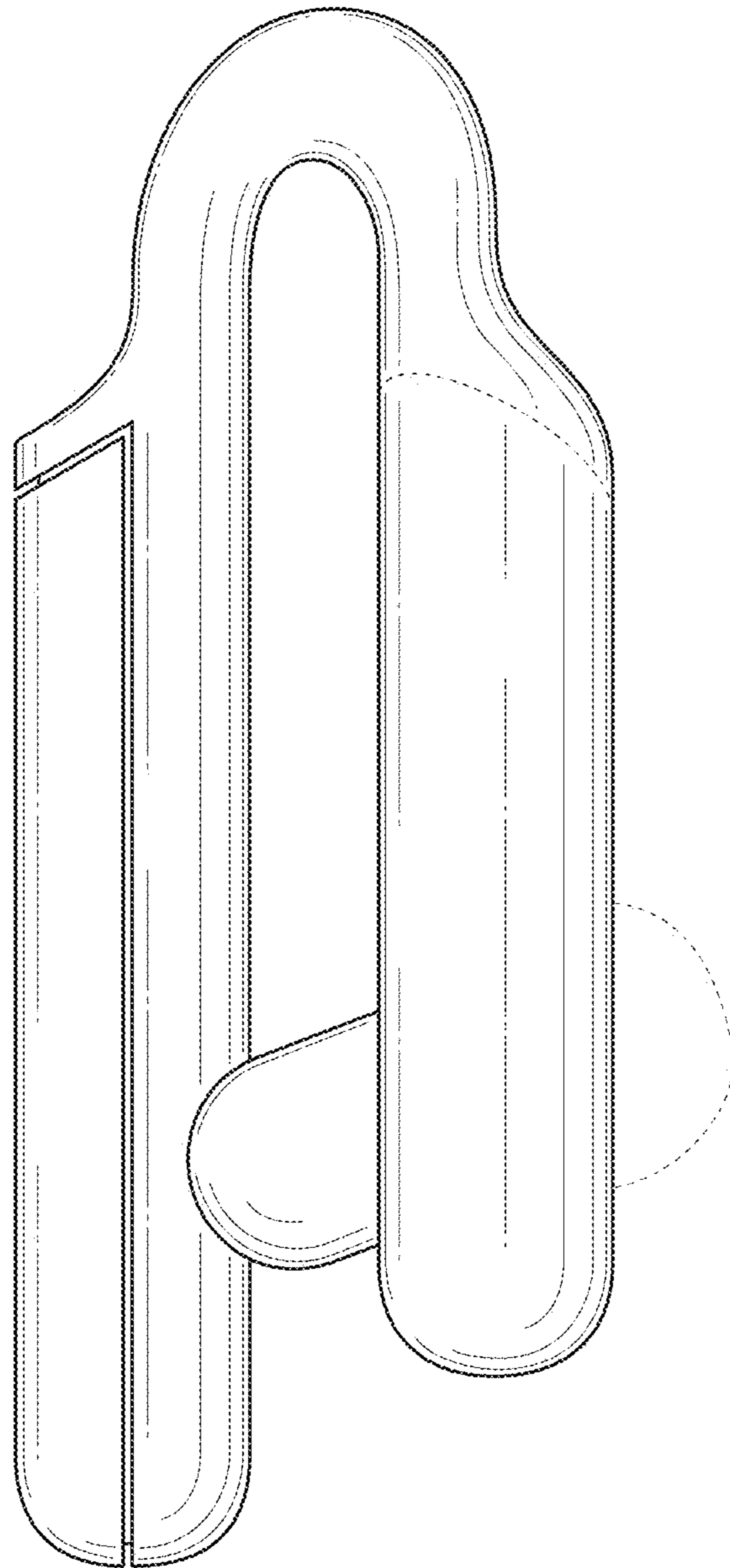


Fig. 5

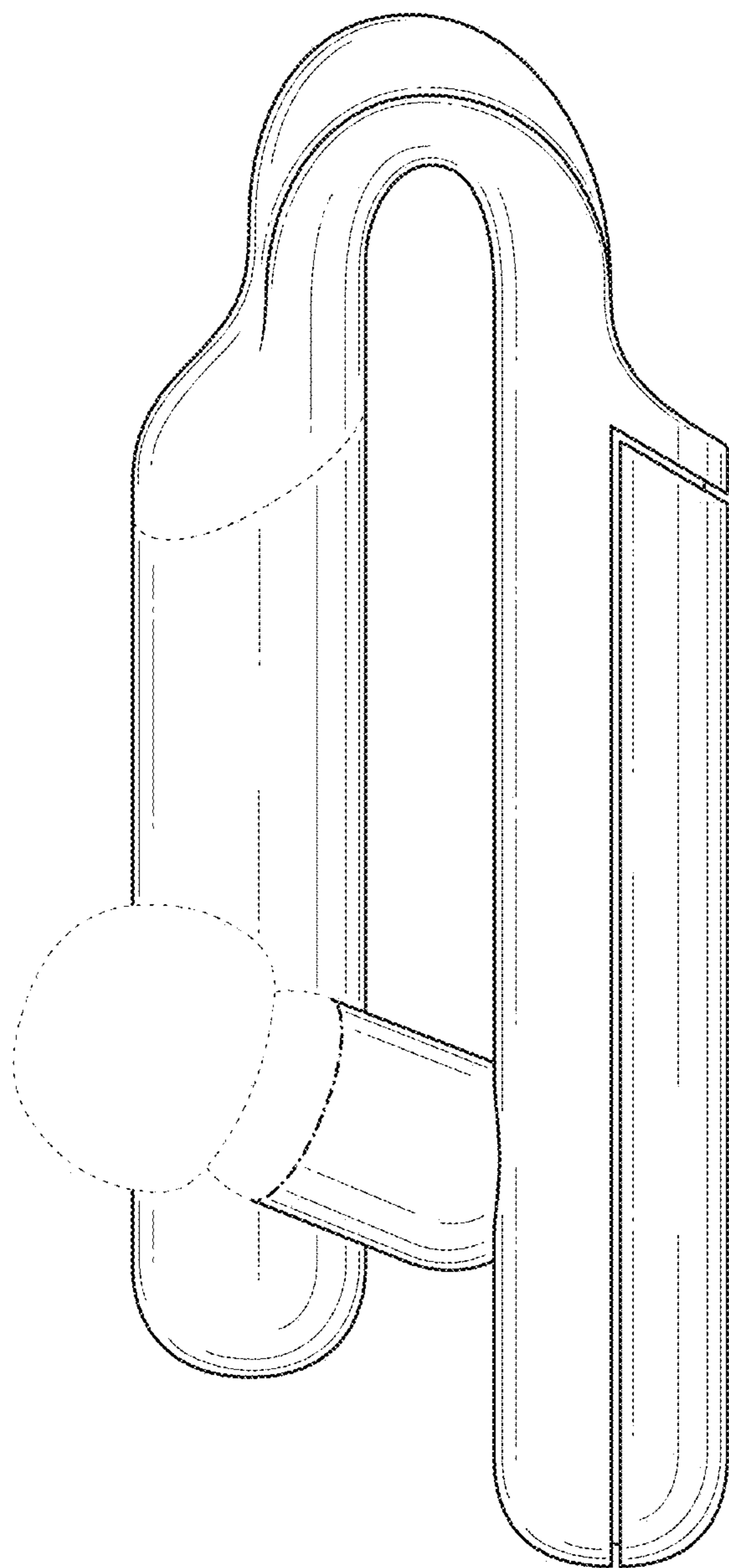


Fig. 6

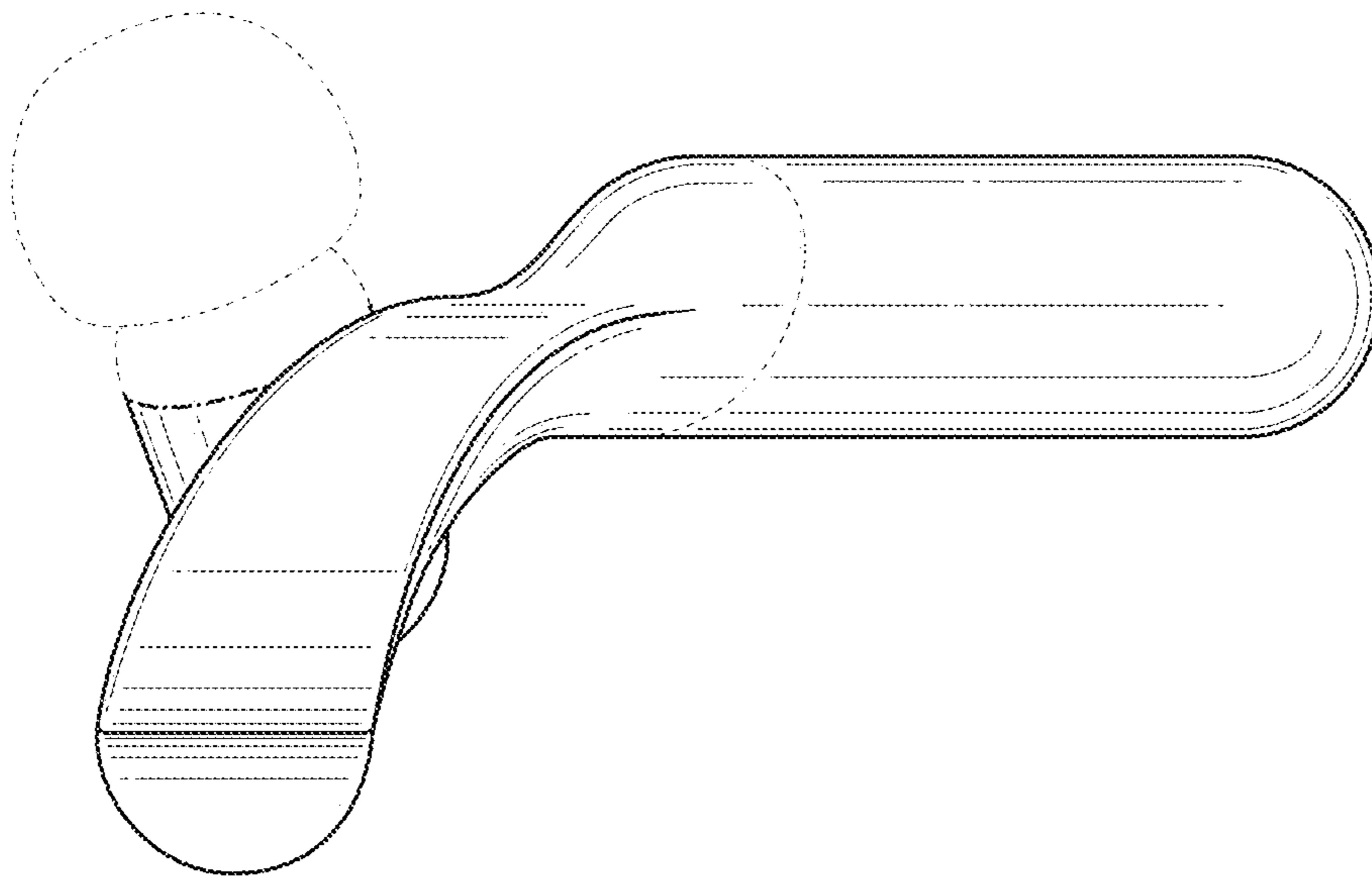


Fig. 7

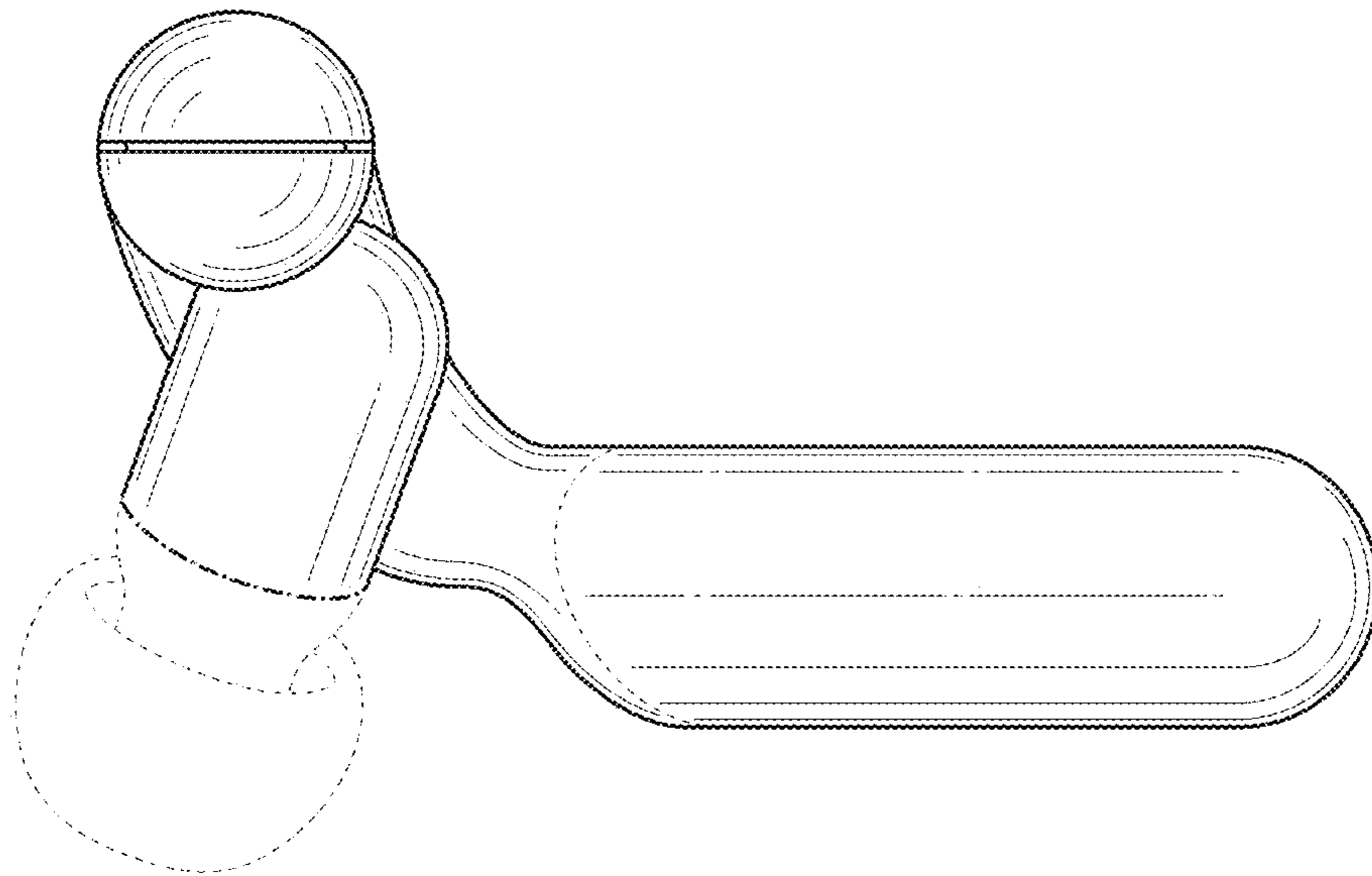


Fig. 8