



US00D853992S

(12) **United States Design Patent**
Kuh et al.

(10) **Patent No.:** **US D853,992 S**
(45) **Date of Patent:** **** Jul. 16, 2019**

(54) **HEARING DEVICE**

(71) Applicant: **Starkey Laboratories, Inc.**, Eden Prairie, MN (US)

(72) Inventors: **Christopher Kuh**, San Francisco, CA (US); **Achille Biteau**, San Francisco, CA (US); **Sidney A. Higgins**, Maple Grove, MN (US)

(73) Assignee: **Starkey Laboratories, Inc.**, Eden Prairie, MN (US)

(**) Term: **15 Years**

(21) Appl. No.: **29/594,399**

(22) Filed: **Feb. 17, 2017**

(51) **LOC (11) Cl.** **14-01**

(52) **U.S. Cl.**
USPC **D14/223; D24/174**

(58) **Field of Classification Search**
USPC D14/223, 205; D24/174; 128/864, 865, 128/866; 181/129, 130, 135; 379/430, 379/431; 381/380, 381, 374, 74; 455/90.3, 575.1, 569.1

CPC H04R 1/10; H04R 25/00; H04R 1/1066; H04R 1/1016; H04R 5/033; H04R 5/0335
See application file for complete search history.

(56) **References Cited**

U.S. PATENT DOCUMENTS

2,513,746 A * 7/1950 Rohr H04R 25/604
181/135
2,739,660 A * 3/1956 French H04R 25/60
181/135

(Continued)

OTHER PUBLICATIONS

U.S. Appl. No. 29/594,400, filed Feb. 17, 2017, Kuh et al.

Primary Examiner — Paula Allen Greene

(74) *Attorney, Agent, or Firm* — Muetting, Raasch & Gebhardt, P.A.

(57) **CLAIM**

The ornamental design for a hearing device, as shown and described.

DESCRIPTION

FIG. 1 is a front elevation view of a hearing device in accordance with the claimed design and shown relative to an ear;

FIG. 2 is a bottom left perspective view of the design of FIG. 1;

FIG. 3 is a front elevation view of the design of FIG. 1;

FIG. 4 is a rear elevation view of the design of FIG. 1;

FIG. 5 is a right side elevation view of the design of FIG. 1;

FIG. 6 is a left side elevation view of the design of FIG. 1;

FIG. 7 is a top plan view of the design of FIG. 1; and,

FIG. 8 is a bottom plan view of the design of FIG. 1.

The ornamental design also includes the mirror images of the views illustrated in FIGS. 1-8.

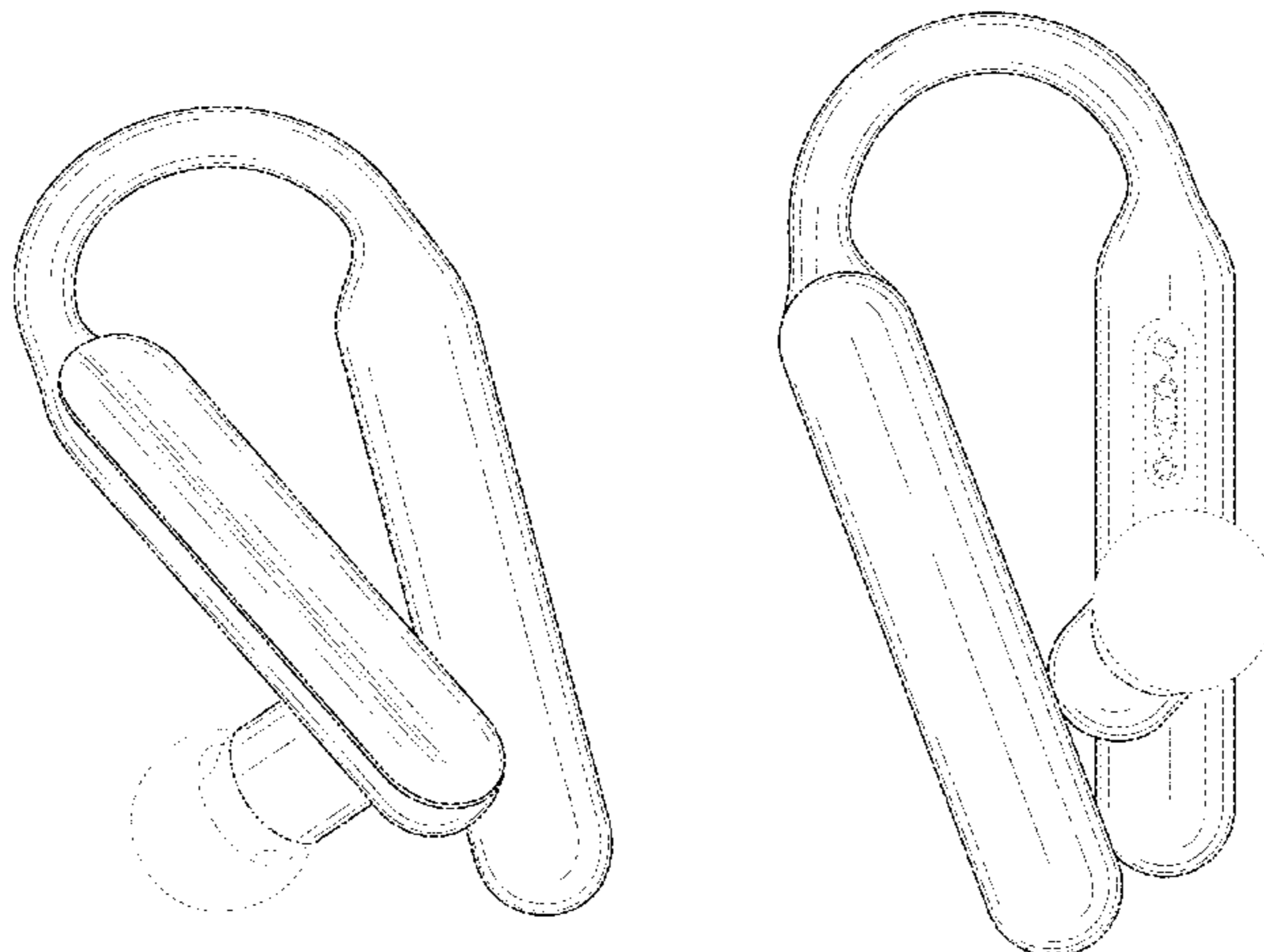
The dash-dash broken lines in the figures represent environment and form no part of the claimed design.

The dot-dash broken lines in the figures immediately adjacent the solid lines represent a boundary between claimed and unclaimed subject matter and form no part of the claimed design.

The labels used herein to describe orientation (e.g., top, bottom, left, right) are merely for reference and are not intended to limit the interpretation of the design.

Applicant reserves the right to convert: a portion or portions of any of the broken lines to solid lines such that the features described by those lines then form a part of the claimed design; and/or a portion or portions of any of the solid lines to broken lines such that the features described by those lines no longer form part of the claimed design.

1 Claim, 8 Drawing Sheets



(56)

References Cited

U.S. PATENT DOCUMENTS

2,930,856 A * 3/1960 Toht H04R 25/652
381/322
4,090,042 A * 5/1978 Larkin H04B 1/385
181/20
4,118,606 A * 10/1978 Larkin H04B 1/385
181/20
4,617,431 A * 10/1986 Scott H04M 1/05
181/20
D309,305 S * 7/1990 von Hall D14/225
D326,268 S * 5/1992 Le Tixerant D14/251
5,210,792 A * 5/1993 Kajihara H04M 1/05
379/430
D350,757 S * 9/1994 Carpenter D14/223
D363,487 S * 10/1995 Thurnau D14/224
5,729,615 A * 3/1998 Yang H04R 1/1066
181/129
D395,653 S * 6/1998 Read D14/142
D421,755 S * 3/2000 Pitel D14/223
D441,739 S * 5/2001 Hayes D14/223
6,396,935 B1 * 5/2002 Makkonen H04B 1/385
379/430
D470,479 S * 2/2003 Skulley D14/223
D480,073 S * 9/2003 Jensen D14/224
D504,672 S * 5/2005 Hirano D14/205
D515,069 S * 2/2006 Naito D14/205
D518,816 S * 4/2006 Naito D14/205
7,123,737 B2 * 10/2006 Ham H04R 1/105
381/381
D543,968 S * 6/2007 Wong D14/205

D575,772 S 8/2008 Schultz et al.
D593,075 S * 5/2009 Williams D14/223
D594,441 S 6/2009 Lee et al.
7,570,977 B2 * 8/2009 Gantz H04M 1/05
379/430
7,648,005 B2 * 1/2010 Leong A61F 11/08
128/867
D611,933 S * 3/2010 Burnham D14/223
D641,008 S 7/2011 Lee et al.
D641,884 S * 7/2011 Laperle D24/174
7,983,437 B2 * 7/2011 Wong H04R 1/1075
381/182
D645,136 S * 9/2011 Rosati D24/106
D670,396 S * 11/2012 Doogan D24/200
8,345,912 B2 * 1/2013 Akihiko H04R 1/105
379/430
D695,275 S 12/2013 Chee
D695,276 S 12/2013 Chee
D698,026 S * 1/2014 Kuwata D24/174
D713,385 S * 9/2014 Burgett D14/223
8,985,538 B2 * 3/2015 Rapoport B62J 7/08
248/305
D771,599 S * 11/2016 Kim D14/223
D786,220 S * 5/2017 Lamb D14/223
2004/0008855 A1 * 1/2004 Ham H04R 1/105
381/381
2004/0170294 A1 * 9/2004 Murozaki H04R 1/105
381/379
2007/0160245 A1 * 7/2007 Peng H04R 1/10
381/334
2009/0285434 A1 * 11/2009 Williams H04R 1/1091
381/375

* cited by examiner

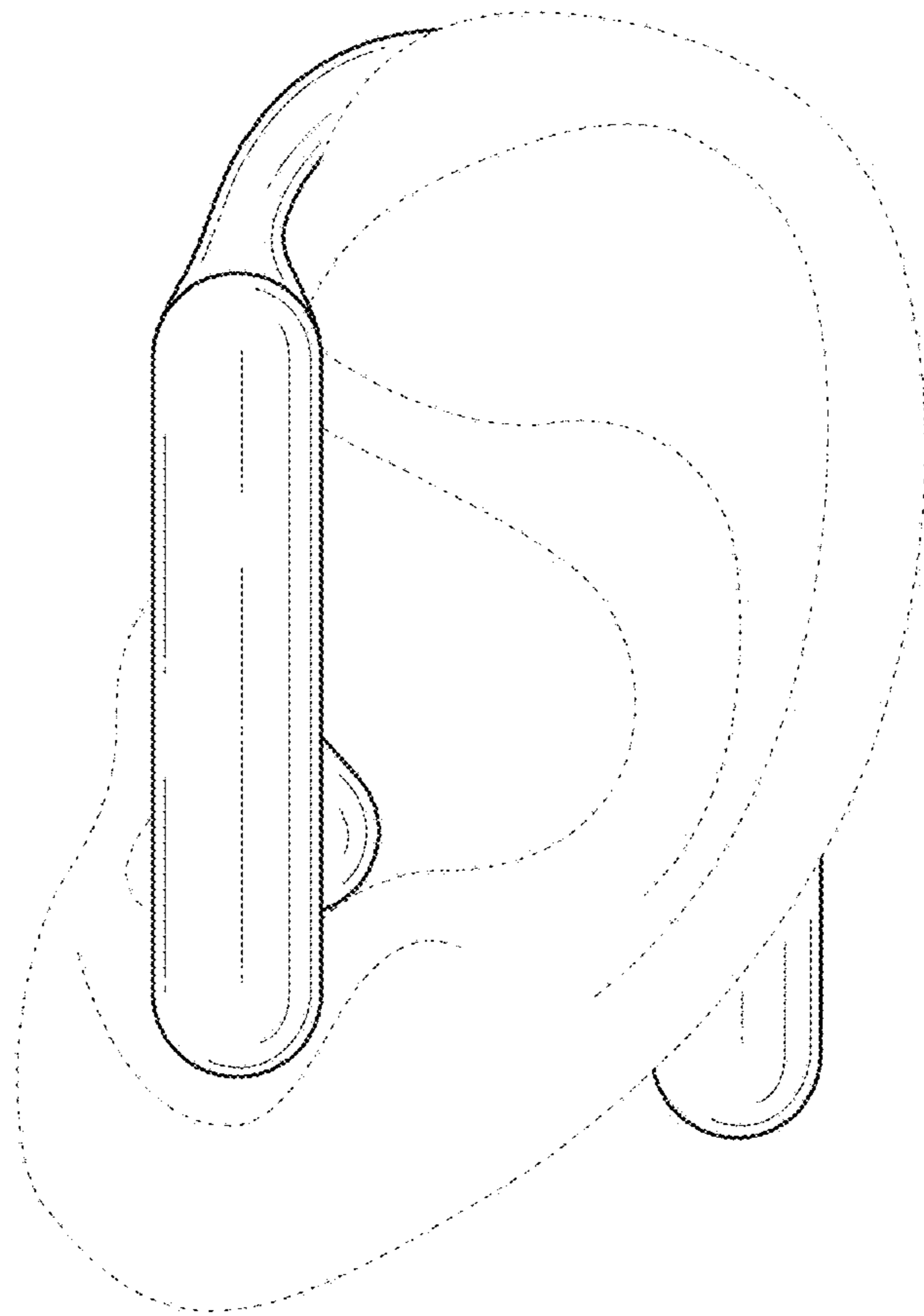


Fig. 1

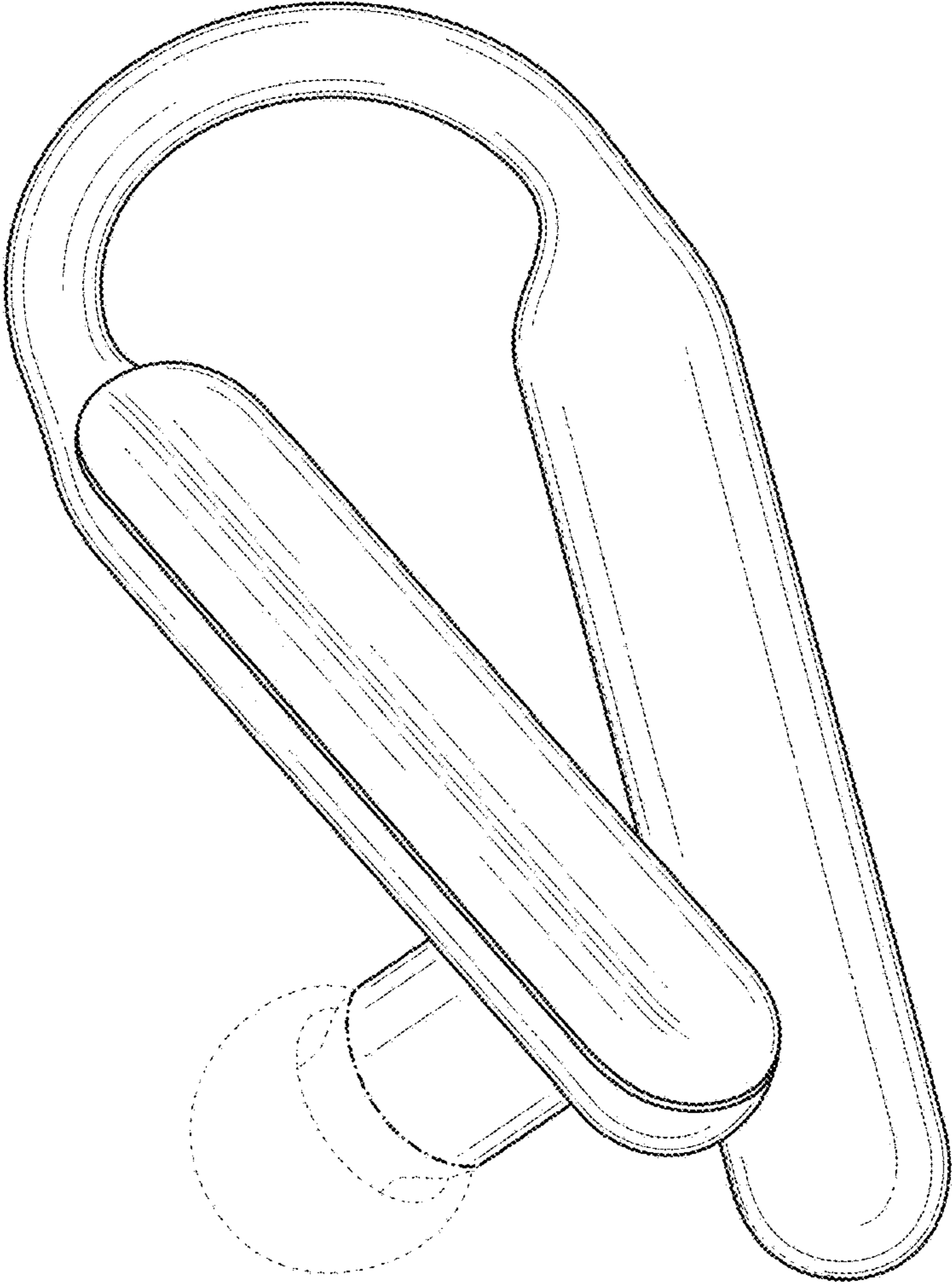


Fig. 2

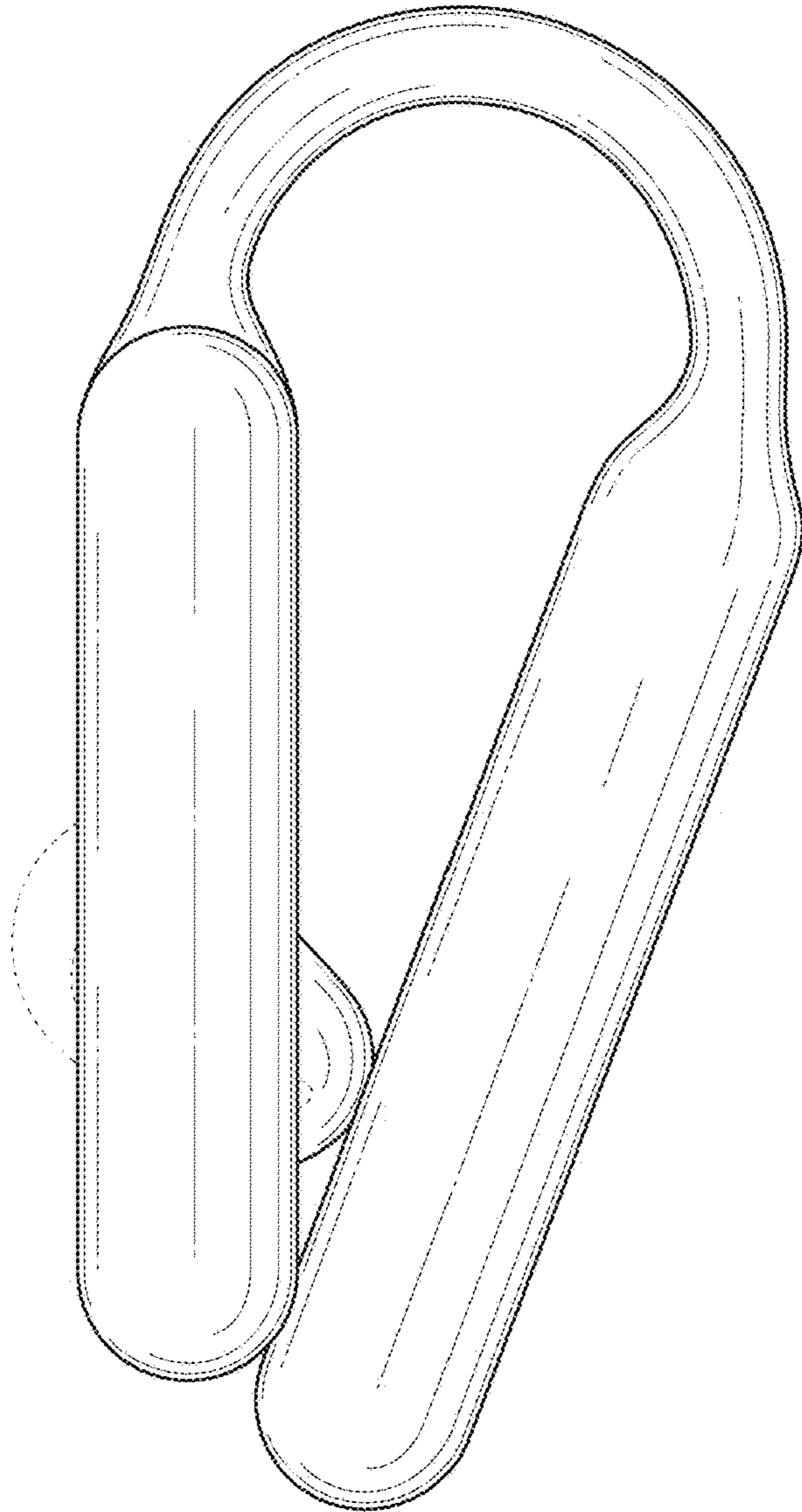


Fig. 3

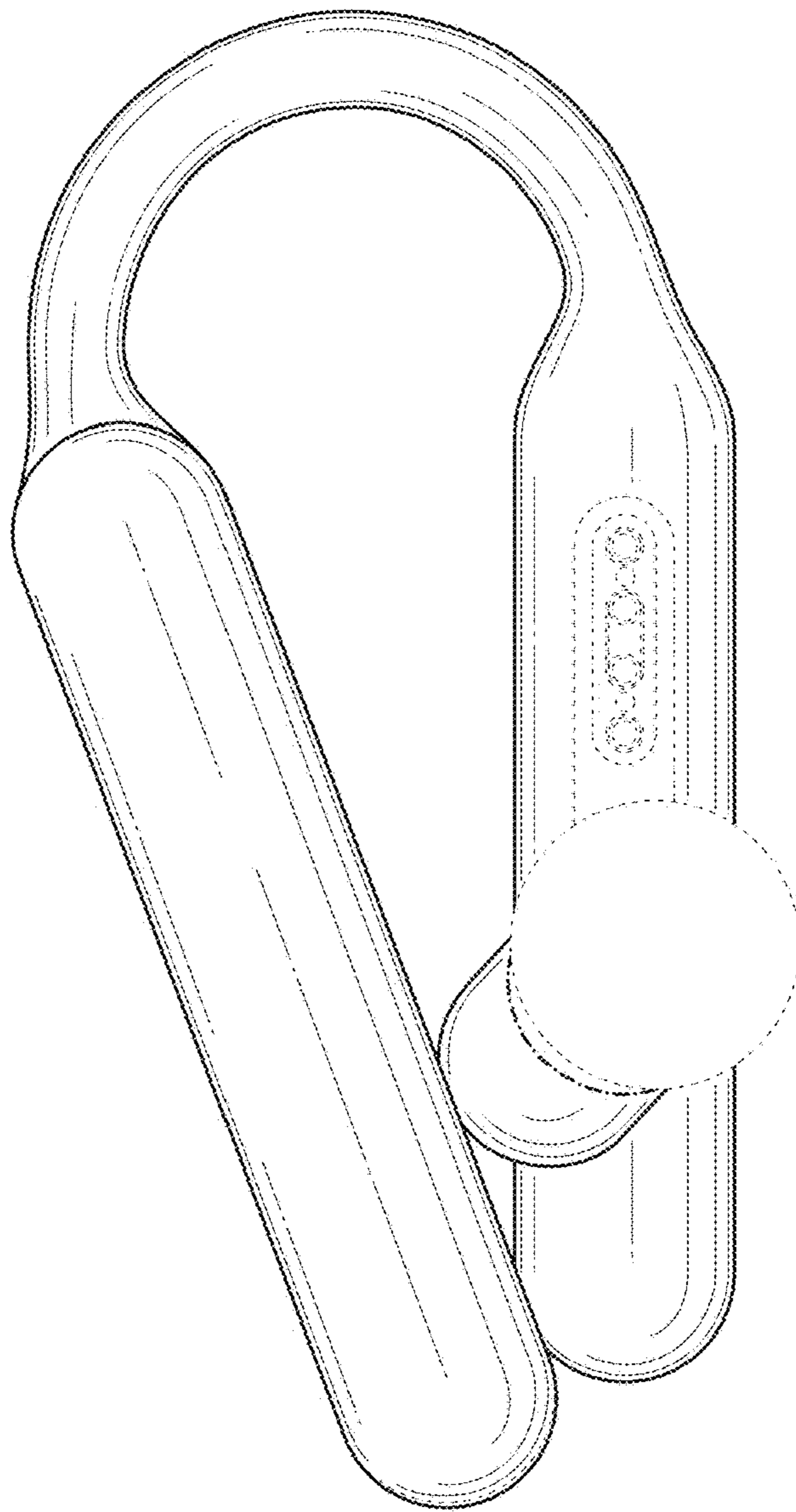


Fig. 4

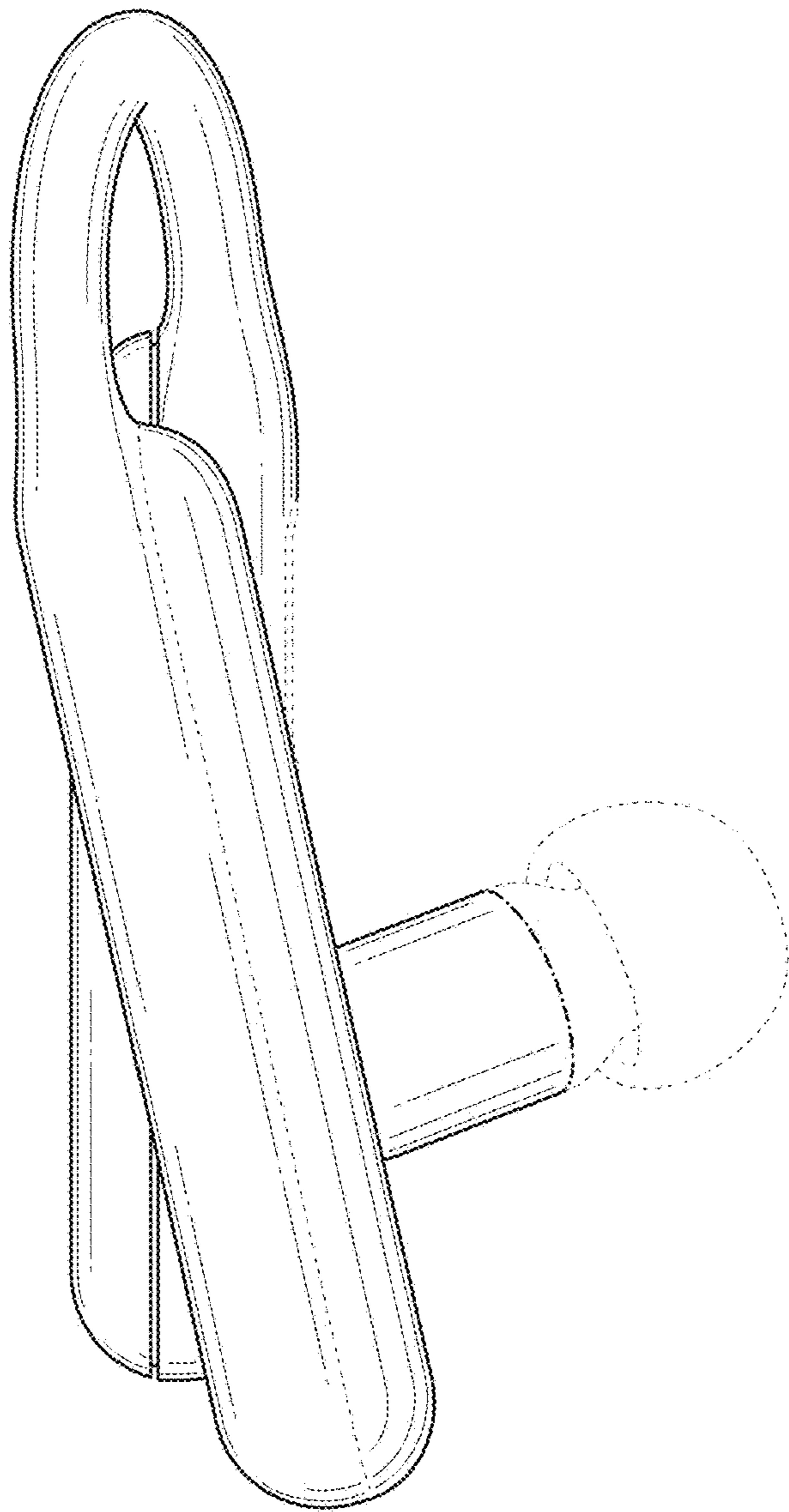


Fig. 5

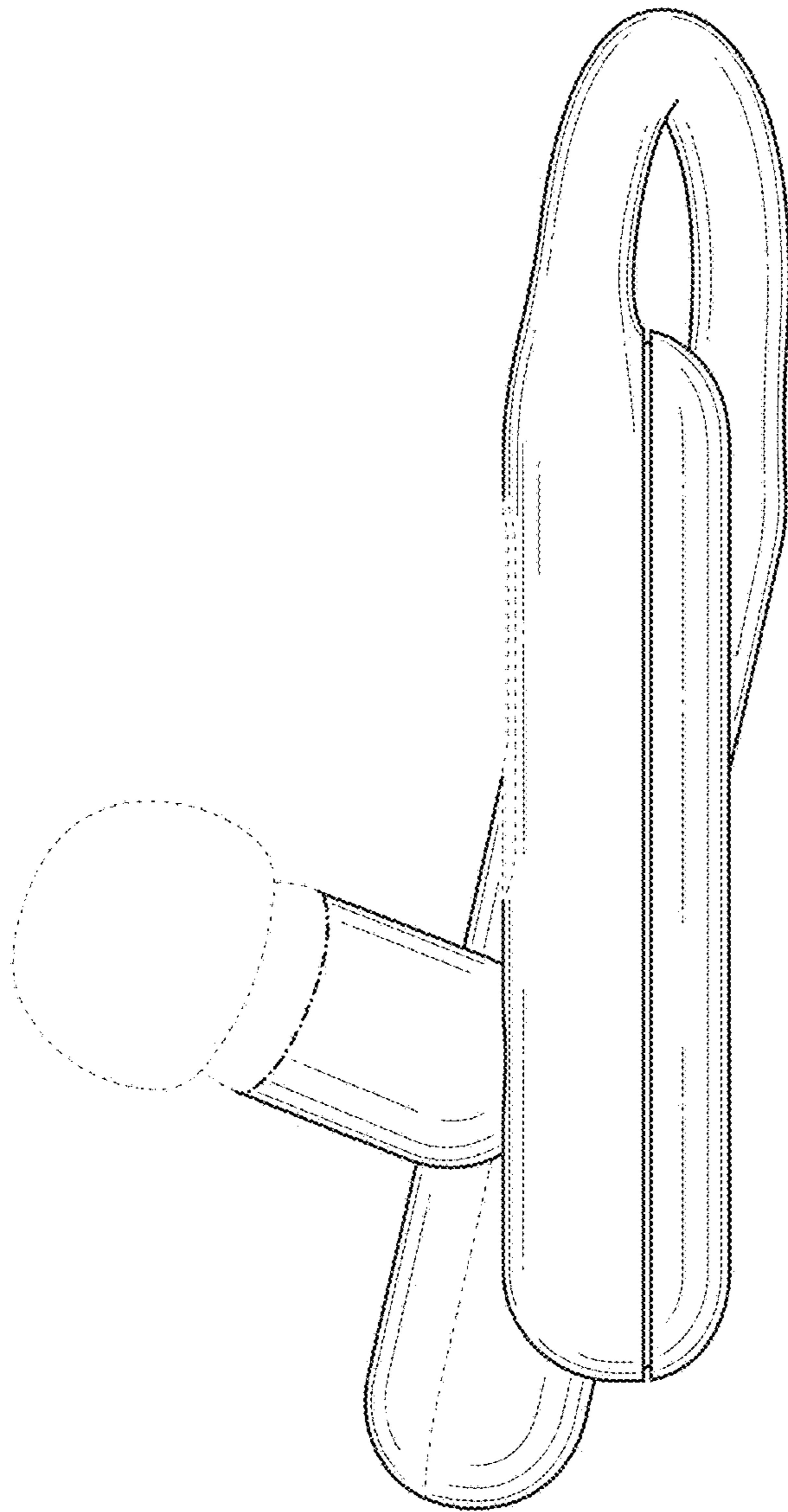


Fig. 6

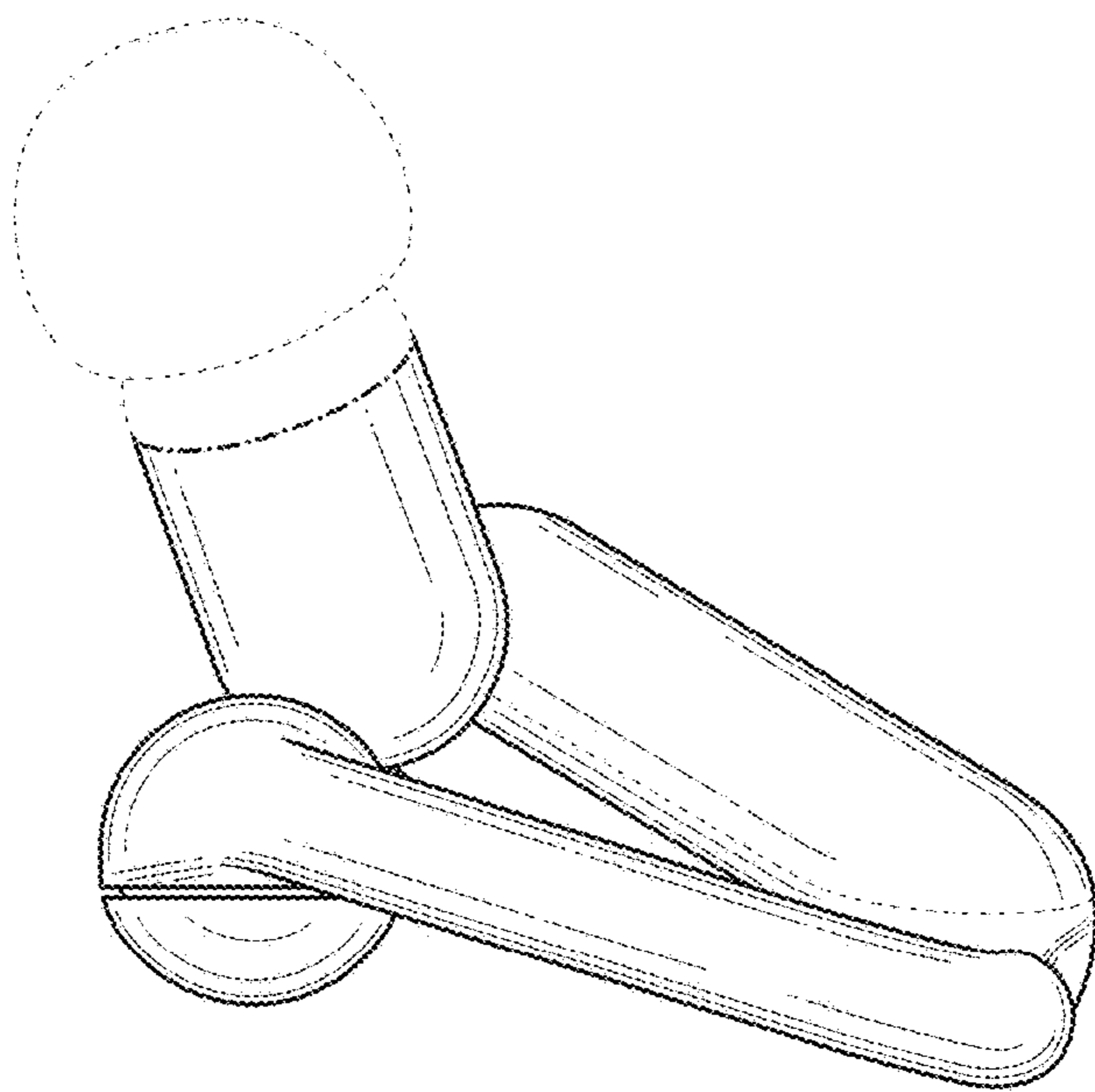


Fig. 7

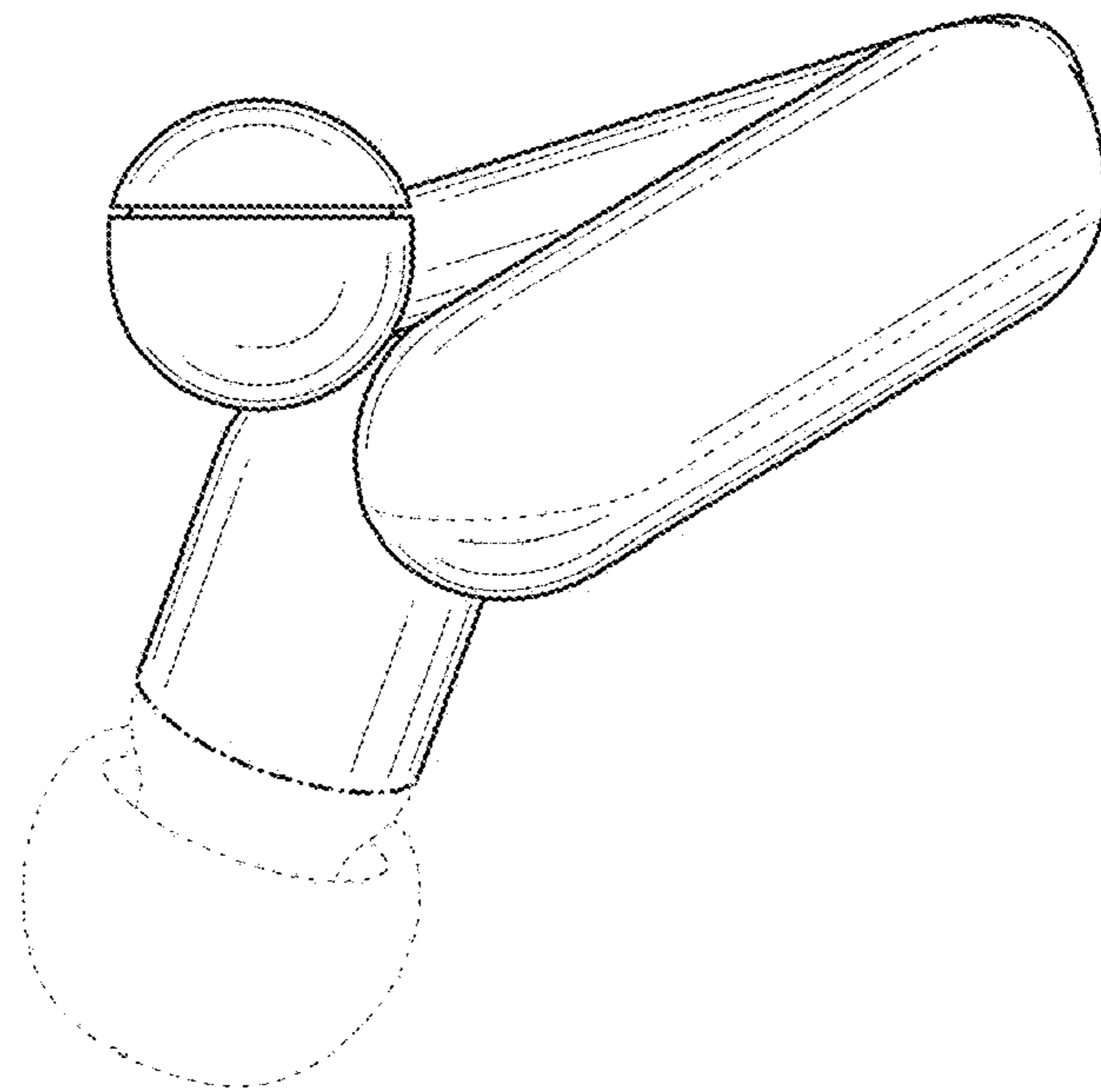


Fig. 8