



US00D853990S

(12) **United States Design Patent**
Eriksen

(10) **Patent No.:** **US D853,990 S**
(45) **Date of Patent:** **** Jul. 16, 2019**

(54) **LOUDSPEAKER**
(71) Applicant: **LIBRATONE A/S**, Herlev (DK)
(72) Inventor: **Carsten Eriksen**, Aarhus (DK)
(73) Assignee: **LIBRATONE A/S**, Herlev (DK)
(**) Term: **15 Years**

2,165,665 A * 7/1939 Thompson A63B 55/00
206/315.4
2,652,698 A * 9/1953 Schlumbohm F25D 3/08
206/545
2,954,891 A * 10/1960 Imber B65D 81/3834
220/592.2
3,225,805 A * 12/1965 Wise A45C 3/00
150/100
3,393,766 A * 7/1968 Mitchell H04R 1/20
181/148

(21) Appl. No.: **29/541,823**

(Continued)

(22) Filed: **Oct. 8, 2015**

OTHER PUBLICATIONS

(30) **Foreign Application Priority Data**

Libratone Zip Classic Product, exact date unknown, dated at least as early as May 2014. U.S. Appl. No. 29/549,591.*

Apr. 8, 2015 (EM) 002677096-0001
Apr. 8, 2015 (EM) 002677096-0002
Apr. 8, 2015 (EM) 002677096-0003
Apr. 8, 2015 (EM) 002677096-0004
Apr. 8, 2015 (EM) 002677096-0005
Apr. 8, 2015 (EM) 002677096-0006

Primary Examiner — Paula Allen Greene
(74) *Attorney, Agent, or Firm* — Dykema Gossett PLLC

(51) **LOC (11) Cl.** **14-03**

(57) **CLAIM**

(52) **U.S. Cl.**
USPC **D14/216**

The ornamental design for a loudspeaker, as shown and described.

(58) **Field of Classification Search**

USPC D14/204, 209, 209.1, 216, 172, 203.6,
D14/203.7, 214; D3/301, 285, 205, 206,
D3/20, 11, 263, 265, 266; 383/66, 907,
383/97, 119; 181/143, 144, 147, 148,
181/150, 153, 157, 198, 199;
381/300–303, 306, 332, 333, 334, 336,
381/345, 361, 362, 363, 364, 386, 387,
381/388; 150/119; 455/90.3, 575.1,
455/569.1
CPC H04R 1/02; H04R 25/00; H04R 1/1091;
H05K 5/00

DESCRIPTION

FIG. 1 is a rear, side, and top perspective view of a first embodiment of a loudspeaker showing my design;
FIG. 2 is a front elevational view of FIG. 1;
FIG. 3 is a rear elevational view of FIG. 1;
FIG. 4 is a top plan view of FIG. 1;
FIG. 5 is a bottom plan view of FIG. 1;
FIG. 6 is a front, side, and top perspective view of a second embodiment of a loudspeaker showing my design;
FIG. 7 is a front elevational view of FIG. 6;
FIG. 8 is a rear elevational view of FIG. 6;
FIG. 9 is a top plan view of FIG. 6; and,
FIG. 10 is a bottom plan view of FIG. 6.

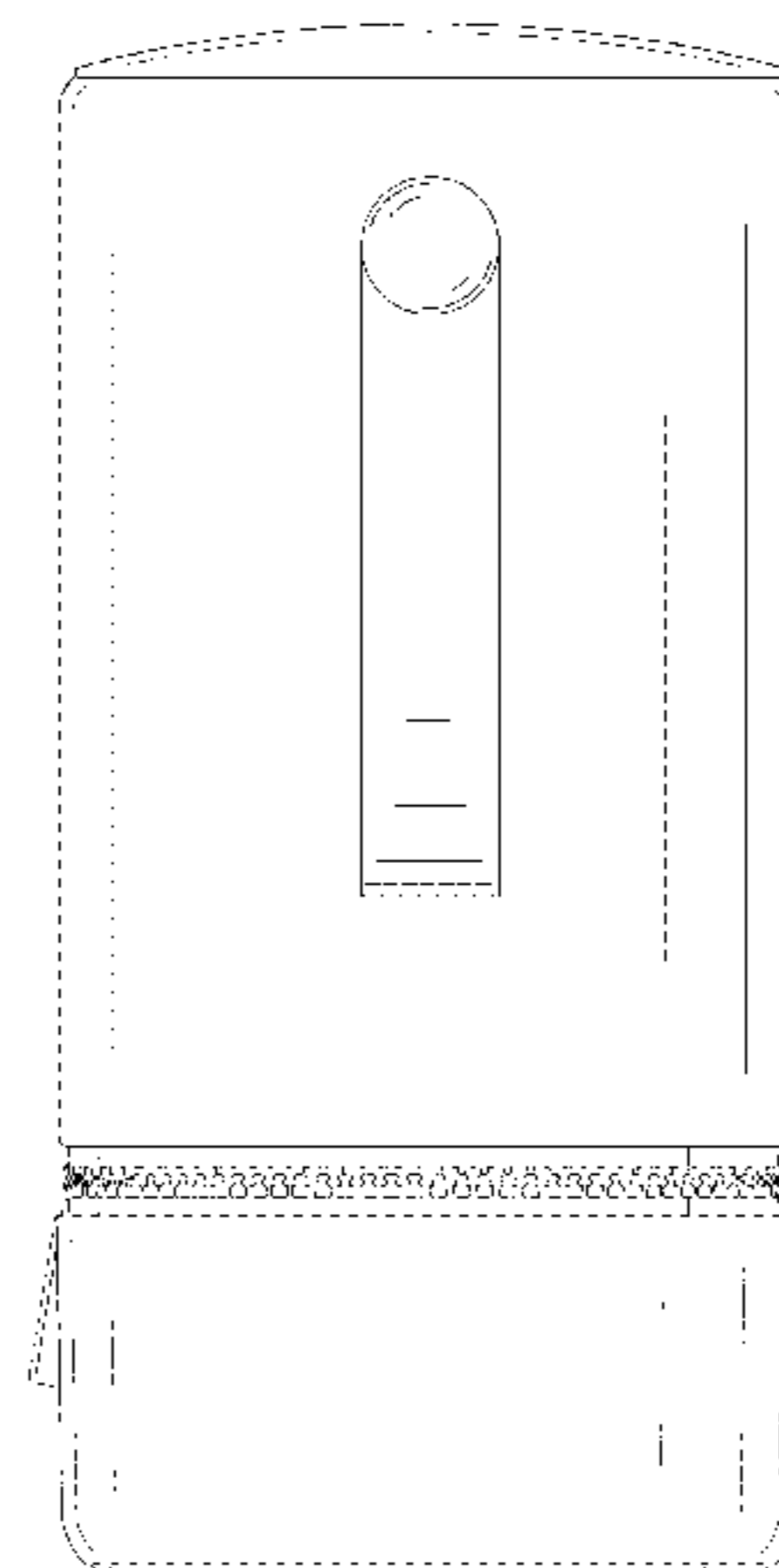
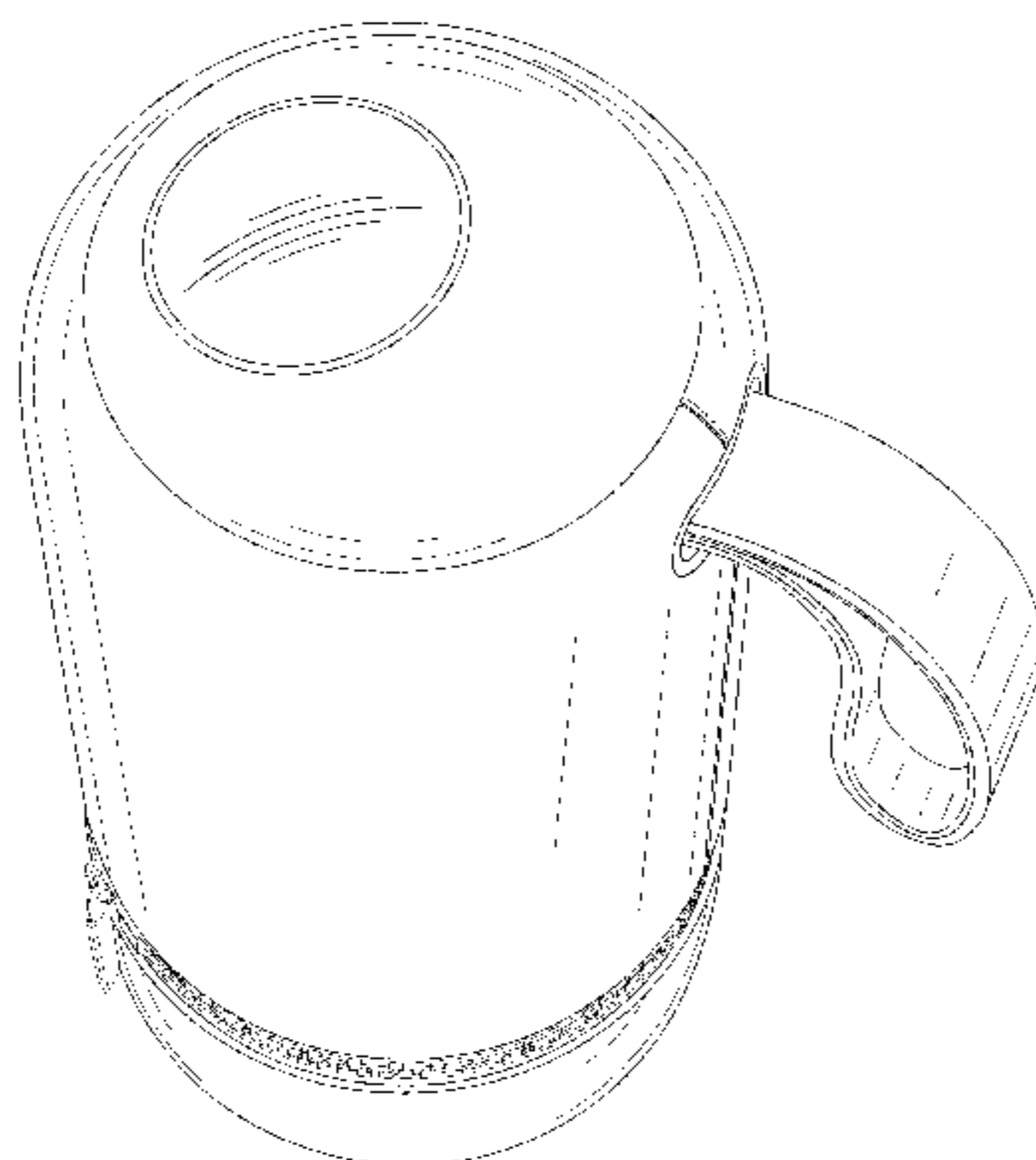
See application file for complete search history.

(56) **References Cited**

U.S. PATENT DOCUMENTS

1,581,535 A * 4/1926 Granger A47G 27/00
383/66
1,949,677 A * 3/1934 Crawford B65D 81/3886
215/12.1

1 Claim, 10 Drawing Sheets



(56)

References Cited

U.S. PATENT DOCUMENTS

3,483,945 A * 12/1969 Michael H04R 1/323
181/143
3,842,977 A * 10/1974 Hollander A45C 3/00
190/903
3,906,129 A * 9/1975 Damois A61F 7/08
150/901
3,978,941 A * 9/1976 Siebert H04R 1/2834
181/151
4,228,908 A * 10/1980 Tweeton A45C 11/20
206/545
D261,105 S * 10/1981 Schwartz D9/504
D262,497 S * 1/1982 Chan D3/229
D272,965 S * 3/1984 Simon D3/268
D273,247 S * 4/1984 Pigott 224/240
4,456,023 A * 6/1984 Fujihashi A45B 19/00
135/25.41
D277,901 S * 3/1985 Leslie D3/217
D278,121 S * 3/1985 Sussman D9/504
4,549,589 A * 10/1985 Nguyen A45C 11/38
206/316.2
4,558,807 A * 12/1985 Jackson A45B 25/24
224/251
4,577,474 A * 3/1986 Peterson B65D 81/3879
220/4.24
4,580,654 A * 4/1986 Hale H04R 1/323
181/146
4,756,382 A * 7/1988 Hudson, III H04R 1/227
181/141
4,842,032 A * 6/1989 Mastronardo A45C 3/00
150/113
D315,101 S * 3/1991 Goldstein D9/435
D315,562 S * 3/1991 Brown D14/213
5,004,105 A * 4/1991 Freadman A45C 7/0027
206/320
5,007,250 A * 4/1991 Musielak A45C 11/20
383/29
5,191,177 A * 3/1993 Chi B60R 11/0217
181/153
5,251,460 A * 10/1993 DeMarco B65D 81/3886
220/592.19
D344,951 S * 3/1994 Christie D14/216

5,325,988 A * 7/1994 Ekern B65D 81/3879
220/592.25
D378,016 S * 2/1997 Armbruster D3/205
D393,779 S * 4/1998 Cabey D7/607
D417,614 S * 12/1999 Chu D3/229
D438,376 S * 3/2001 Marshall D3/257
6,345,751 B1 * 2/2002 Elliot A45F 3/04
224/640
D454,686 S * 3/2002 McCormack D3/263
6,431,308 B1 * 8/2002 Vollmer H04R 1/26
181/144
D501,845 S * 2/2005 Allen D14/216
D547,650 S * 7/2007 Limber D9/419
D551,447 S * 9/2007 Ogawa D3/257
D563,431 S * 3/2008 Entner D14/217
D567,213 S * 4/2008 Prince D14/204
D612,837 S * 3/2010 Murray D14/216
D616,420 S * 5/2010 Morimoto D14/216
D617,314 S * 6/2010 Zha D14/216
D619,119 S * 7/2010 Graber D14/216
7,931,505 B2 * 4/2011 Howard B60R 11/02
296/24.34
D655,085 S * 3/2012 Holbrook D3/289
D675,190 S * 1/2013 Nylen D14/215
D687,017 S * 7/2013 Ashcraft D14/216
D691,114 S * 10/2013 Manz D14/207
D697,496 S * 1/2014 Ashcraft D14/216
D699,218 S * 2/2014 Lee D14/216
D706,743 S * 6/2014 Lukic D14/204
D707,656 S * 6/2014 Brunner D14/216
D717,769 S * 11/2014 Wong D14/216
D725,076 S * 3/2015 Wong D14/216
8,971,560 B2 * 3/2015 Lyons H04R 1/026
381/334
D726,684 S * 4/2015 Schmiedbauer D14/210
D726,686 S * 4/2015 Yoon D14/216
D744,541 S * 12/2015 Langhammer D14/203.1
D755,155 S * 5/2016 Paterson D14/204
D755,756 S * 5/2016 Brunner D14/216
D759,632 S * 6/2016 Fischer D14/204
D763,819 S * 8/2016 Silvera D14/204
D766,213 S * 9/2016 Hinokio D14/216
D766,878 S * 9/2016 Park D14/216
D786,829 S * 5/2017 Wang D14/204

* cited by examiner

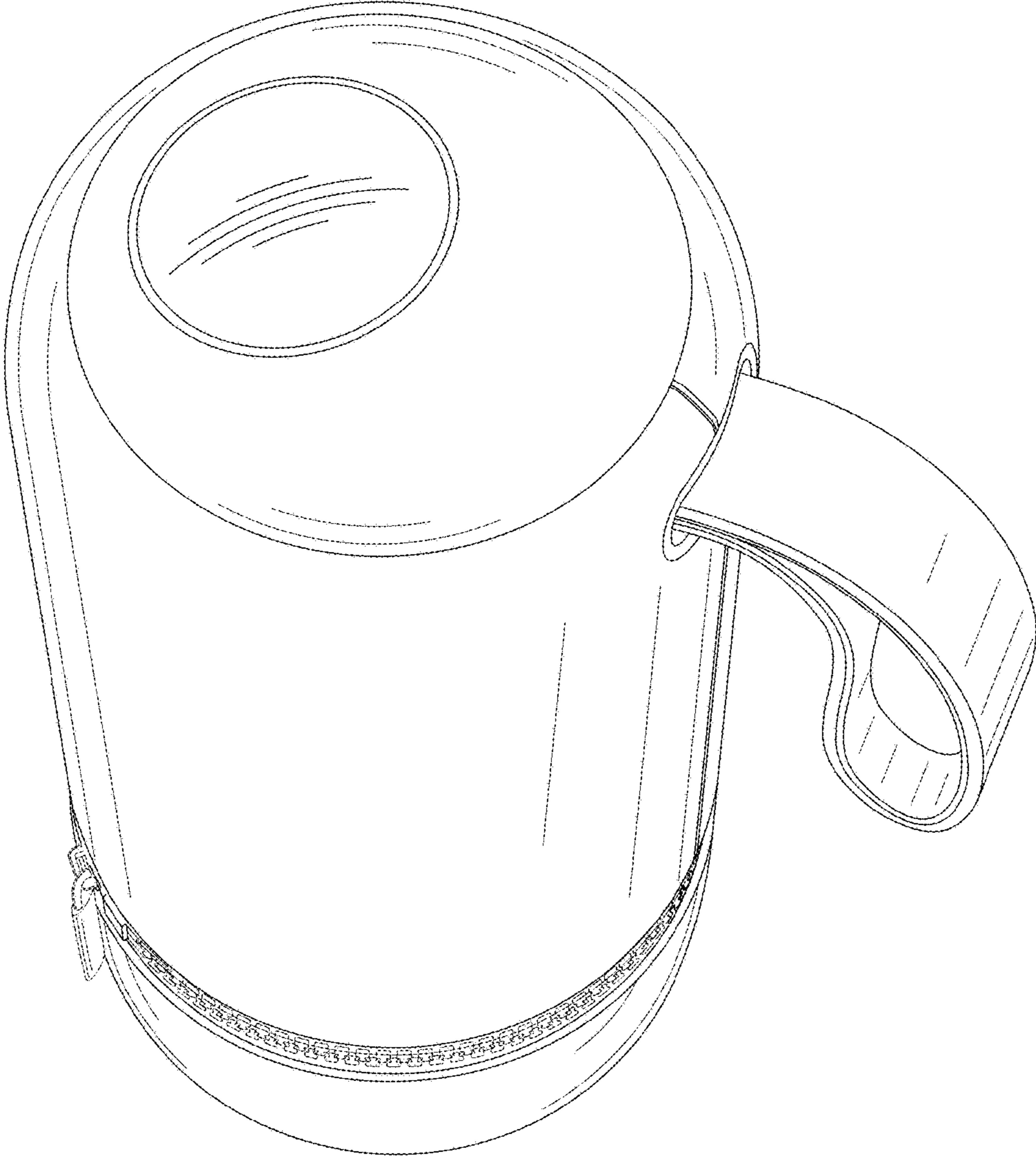


FIG. 1

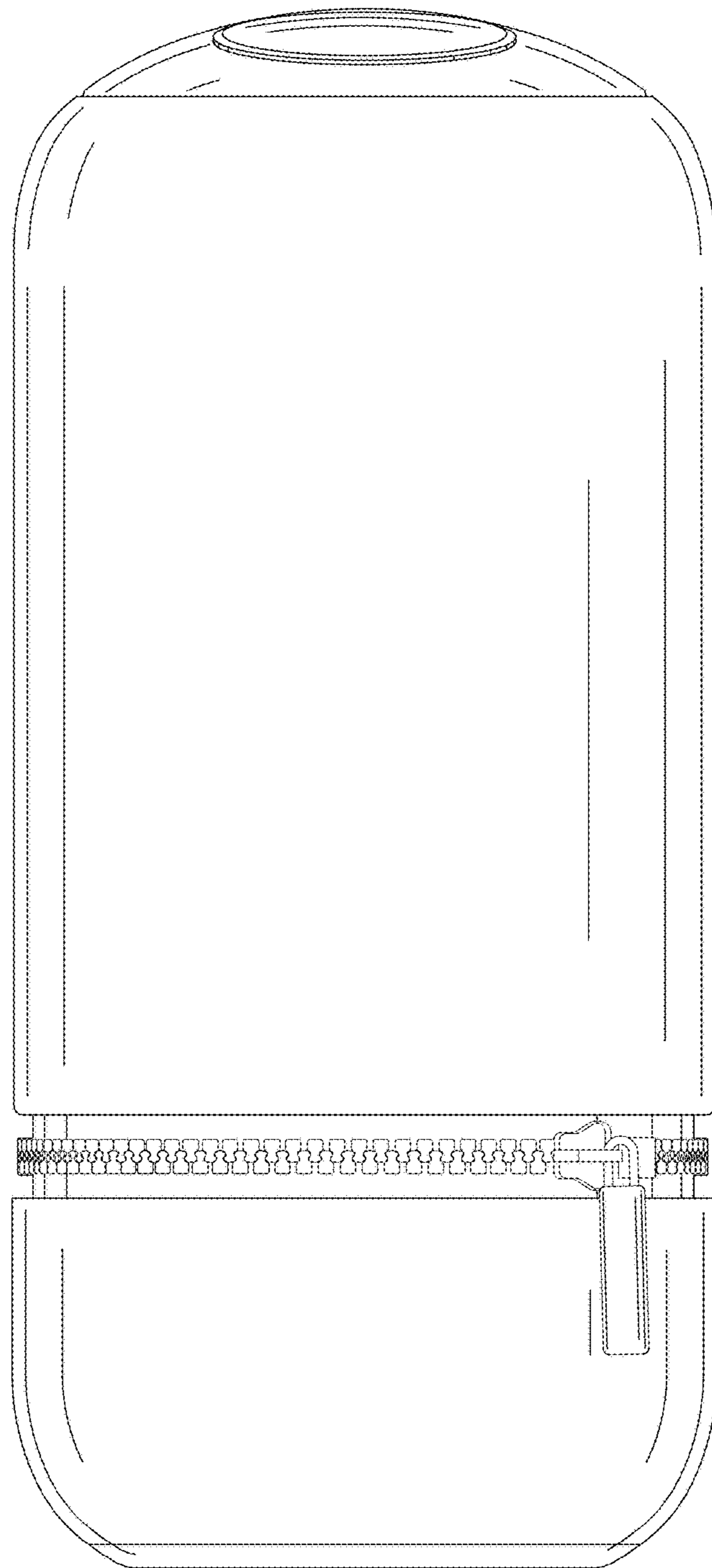


FIG. 2

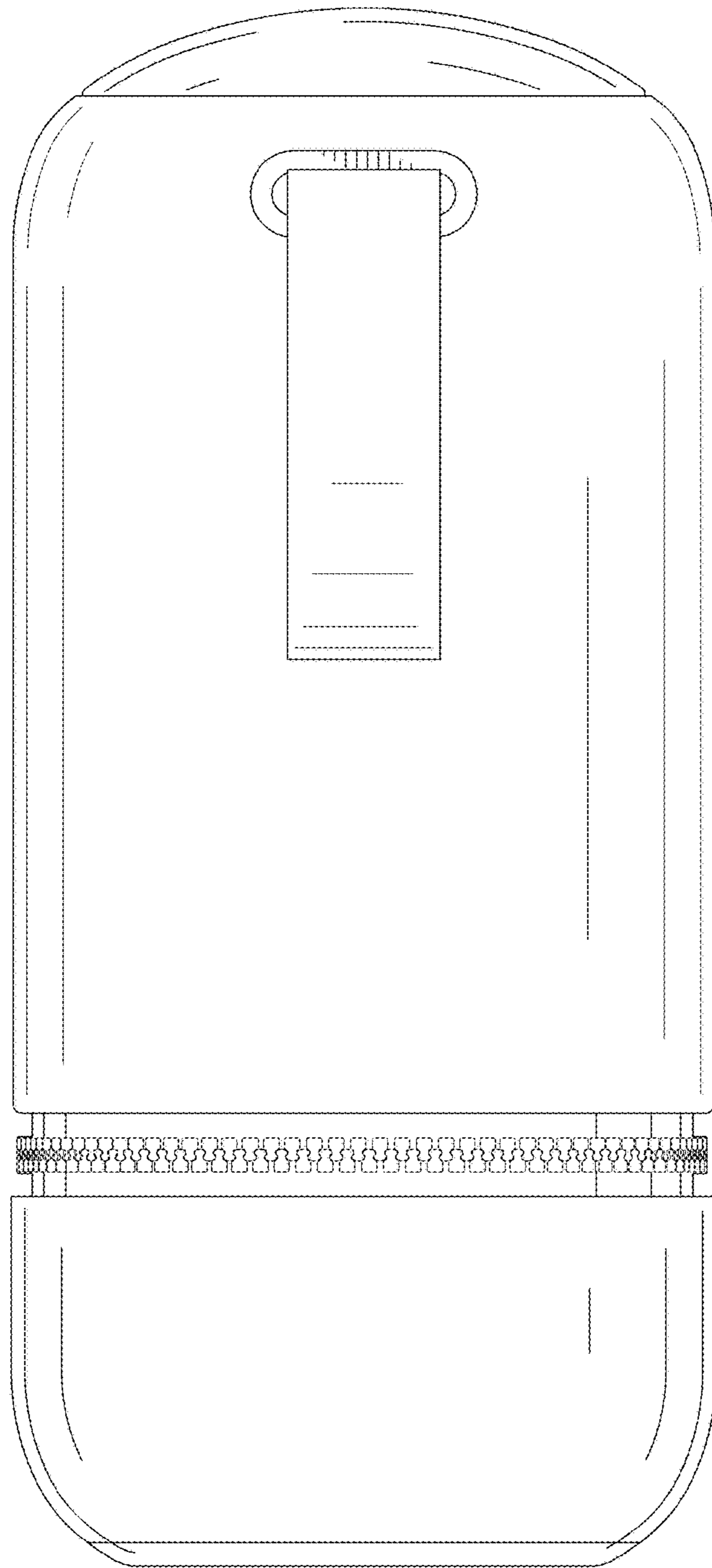


FIG. 3

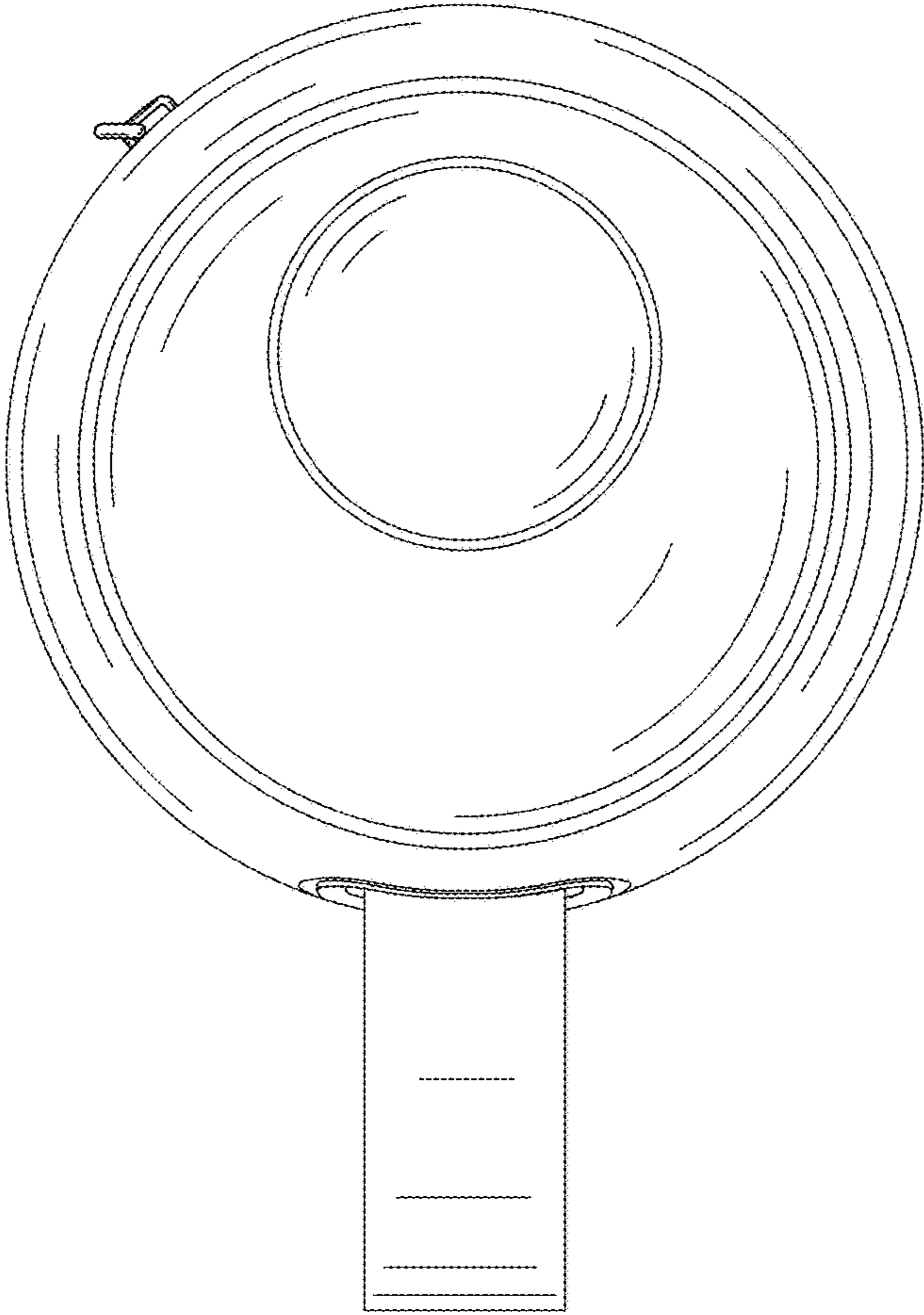


FIG. 4

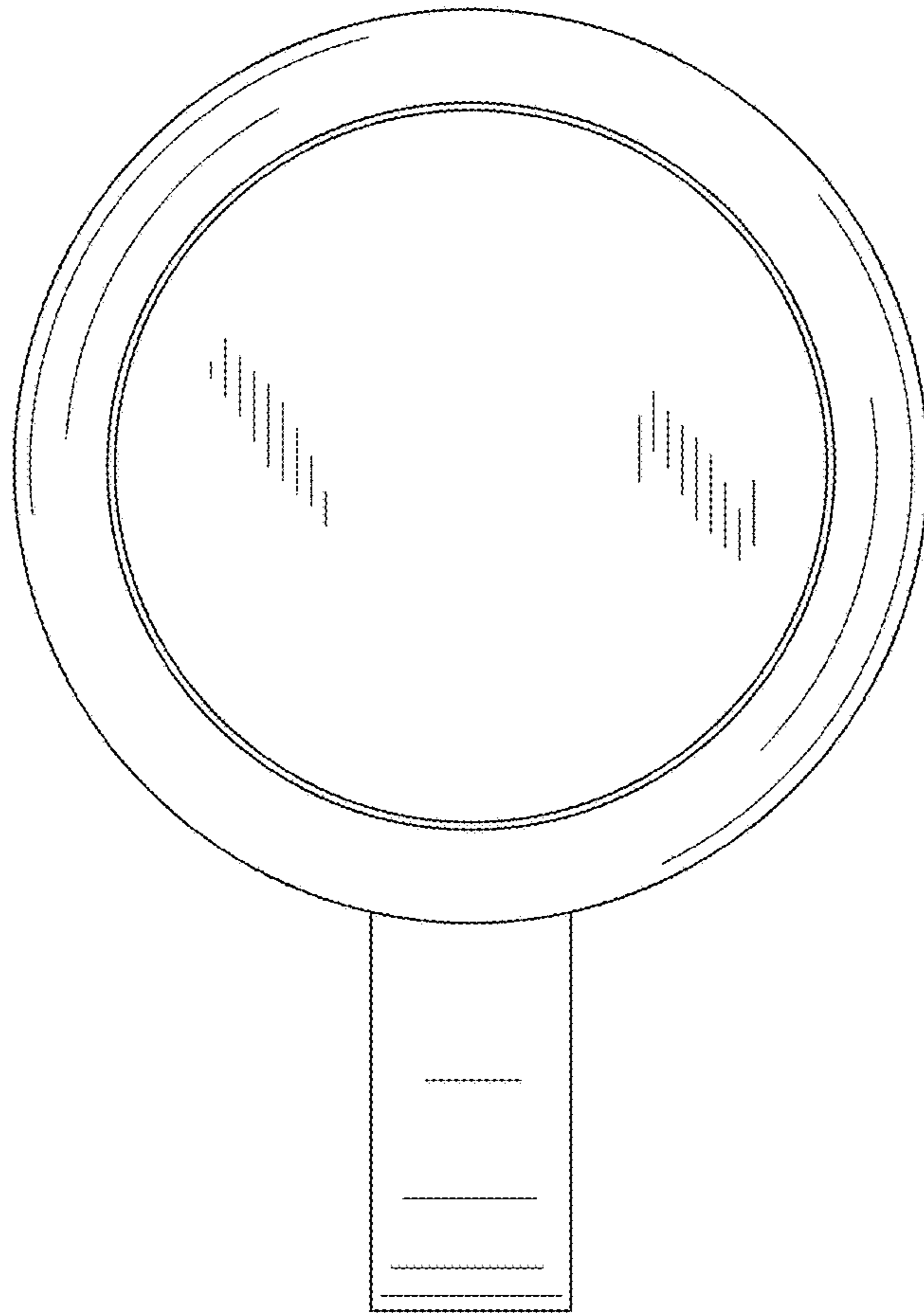


FIG. 5

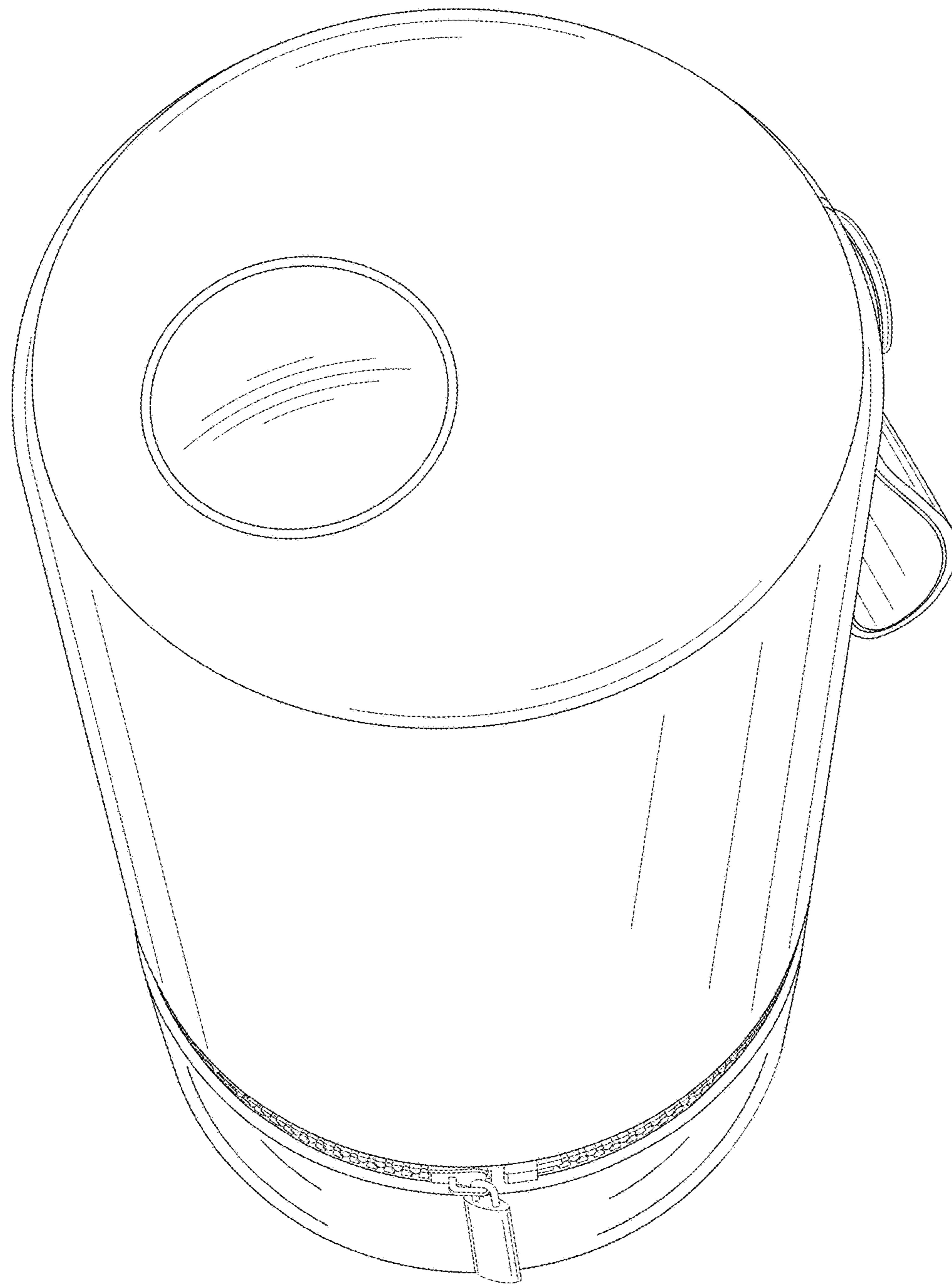


FIG. 6

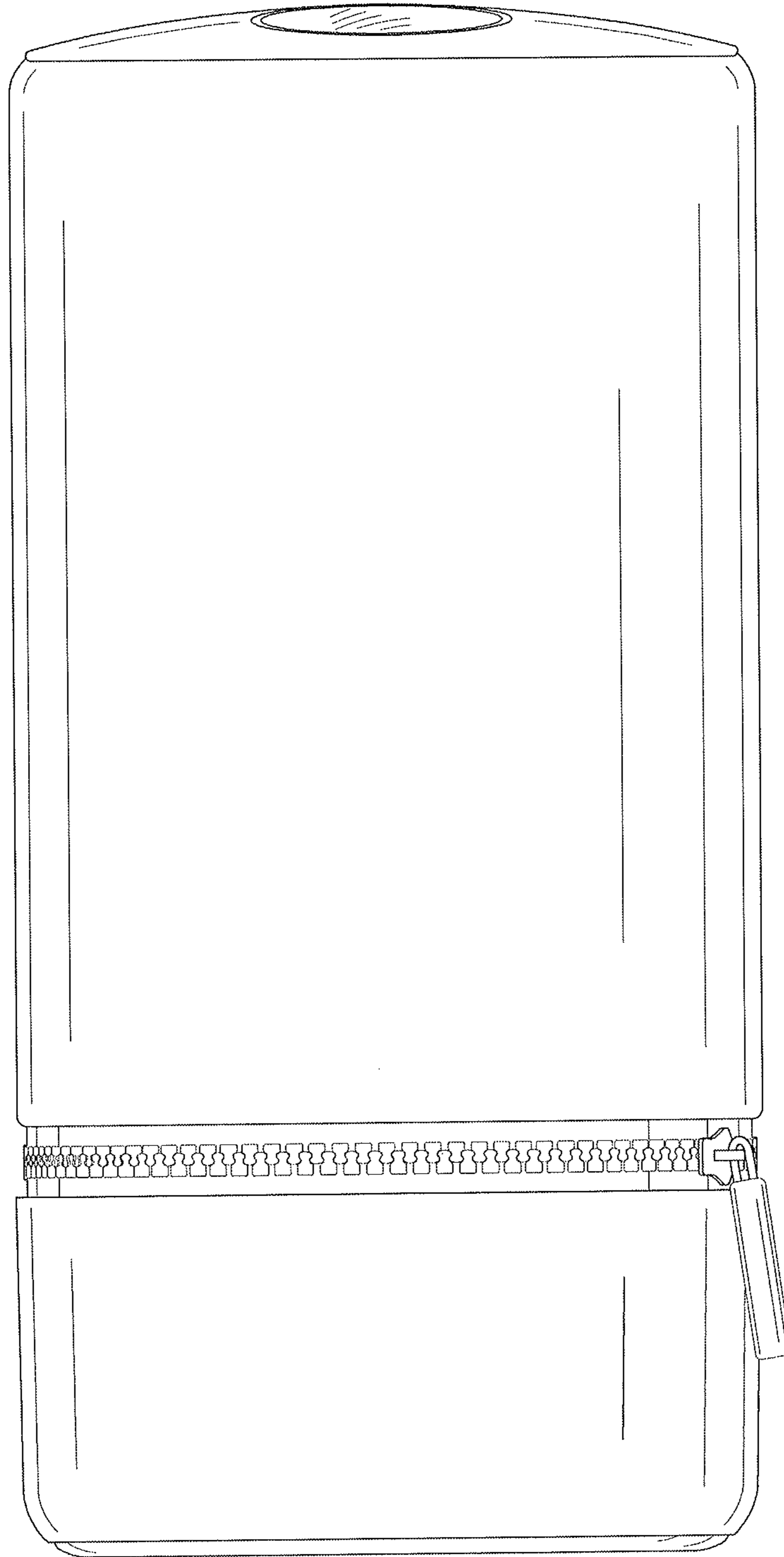


FIG. 7

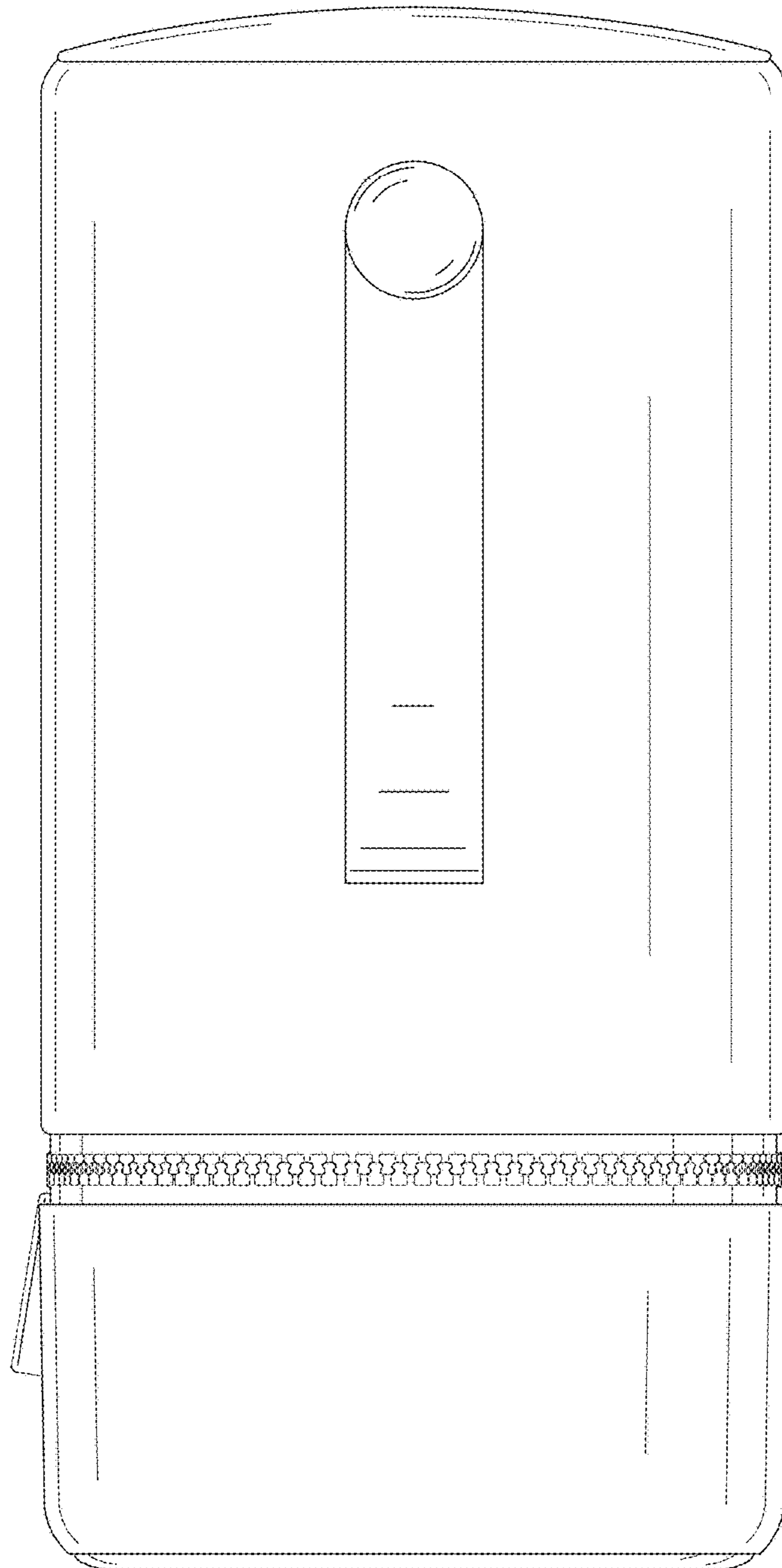


FIG. 8

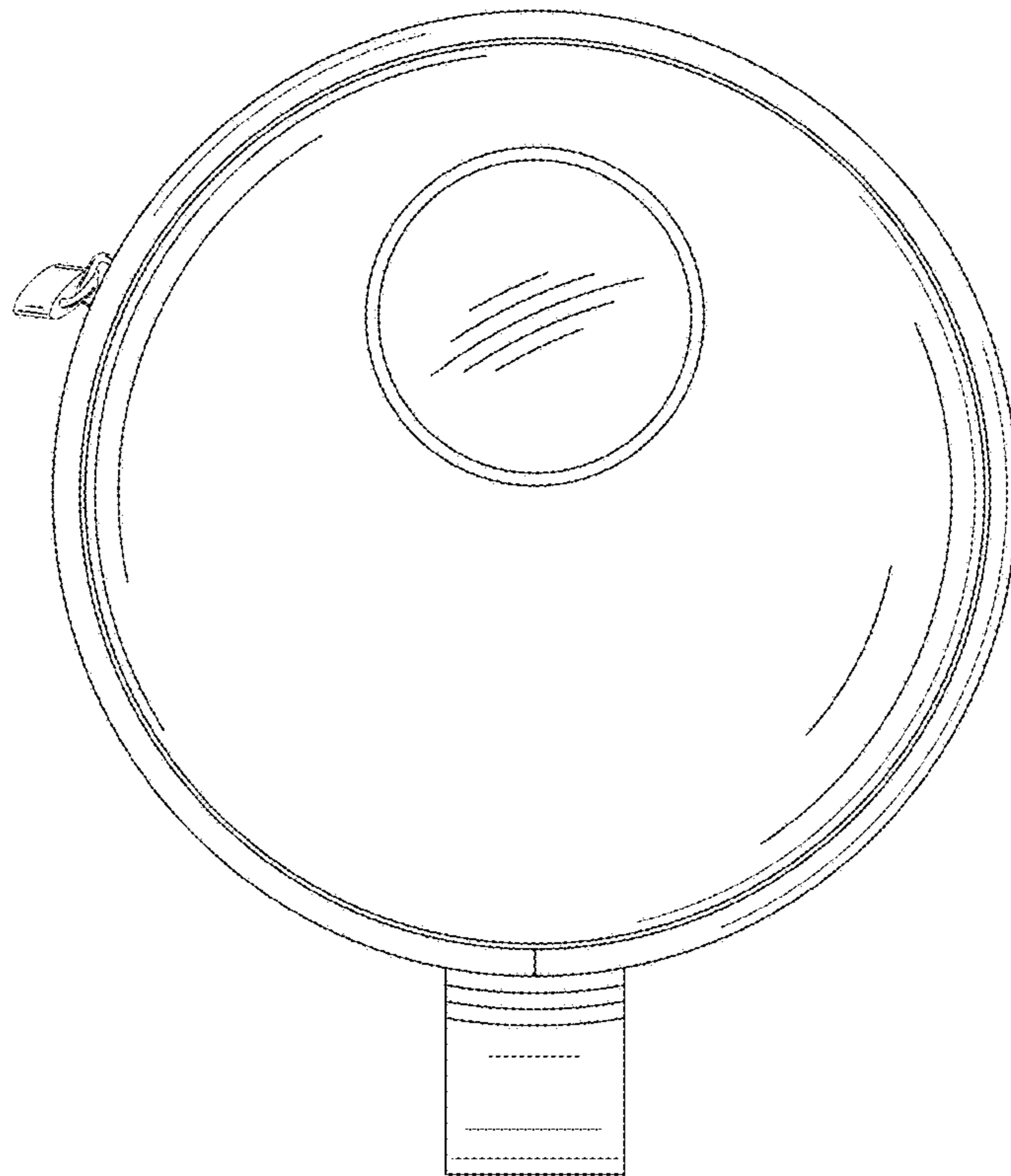


FIG. 9

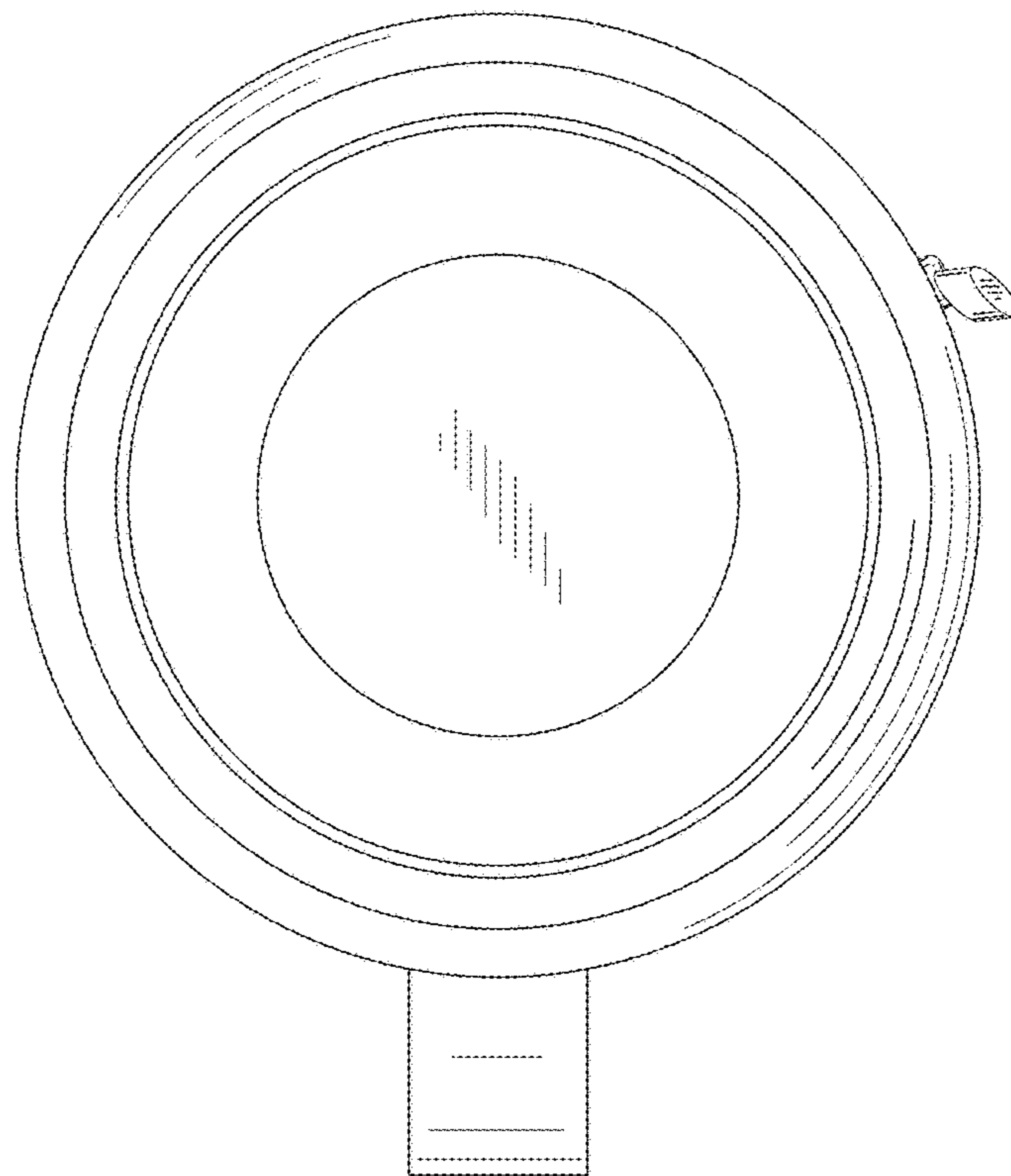


FIG. 10