



US00D853989S

(12) **United States Design Patent**  
**Spillmann et al.**

(10) **Patent No.:** **US D853,989 S**

(45) **Date of Patent:** **\*\* Jul. 16, 2019**

(54) **LOUDSPEAKER**

(71) Applicant: **Harman International Industries, Incorporated**, Northridge, CA (US)

(72) Inventors: **Jacques Spillmann**, Los Angeles, CA (US); **Tim Nugent**, Santa Monica, CA (US)

(73) Assignee: **Harman International Industries, Incorporated**, Northridge, CA (US)

(\*\*) Term: **15 Years**

(21) Appl. No.: **29/630,073**

(22) Filed: **Dec. 19, 2017**

**Related U.S. Application Data**

(62) Division of application No. 29/585,544, filed on Nov. 25, 2016, now Pat. No. Des. 817,307.

(51) **LOC (11) Cl.** ..... **14-01**

(52) **U.S. Cl.**  
USPC ..... **D14/214**

(58) **Field of Classification Search**  
USPC ... D14/214, 204, 209.1, 210, 221, 172, 188;  
181/144, 148, 199; 381/386; 248/282.1,  
248/323  
CPC ..... H04R 25/00; H04R 1/02; H04R 19/04;  
H05K 5/00  
See application file for complete search history.

(56) **References Cited**

**U.S. PATENT DOCUMENTS**

2,826,260 A	3/1958	Miller	
2,829,728 A	4/1958	Brown	
3,207,257 A *	9/1965	Wilson	..... H04R 1/02 181/147
3,257,154 A	6/1966	Lewis	

D230,489 S	2/1974	Everitt	
3,938,618 A	2/1976	Ambruso, Sr.	
D253,108 S	10/1979	Schroeder	
4,179,008 A	12/1979	LeTourneau	
4,182,429 A	1/1980	Senzaki	
D263,394 S	3/1982	Szabo	
D264,336 S	5/1982	Nicholson et al.	
D266,243 S	9/1982	Gollehon	
4,377,114 A	3/1983	Fuller	
4,502,149 A	2/1985	Gefvert	
D282,255 S	1/1986	Ross	
4,582,162 A	4/1986	Katsuno	
4,660,728 A	4/1987	Martin	
4,730,693 A	3/1988	Kobus	
D295,857 S	5/1988	Nagashima	
4,805,730 A *	2/1989	O'Neill	..... H04R 1/02 181/145
5,000,286 A	3/1991	Crawford et al.	
D328,746 S	8/1992	Ishibashi et al.	

(Continued)

*Primary Examiner* — Paula Allen Greene

(74) *Attorney, Agent, or Firm* — Plumsea Law Group, LLC

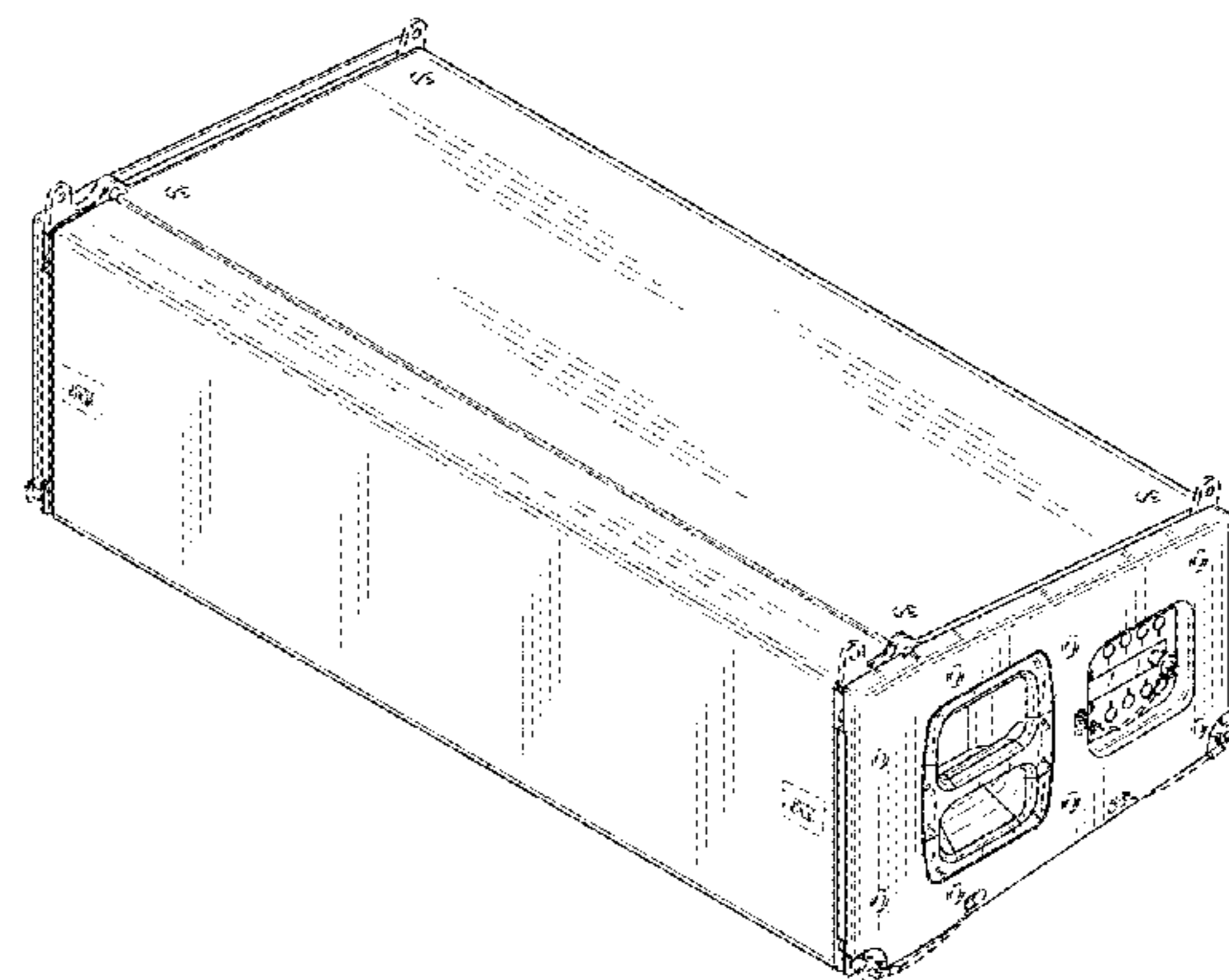
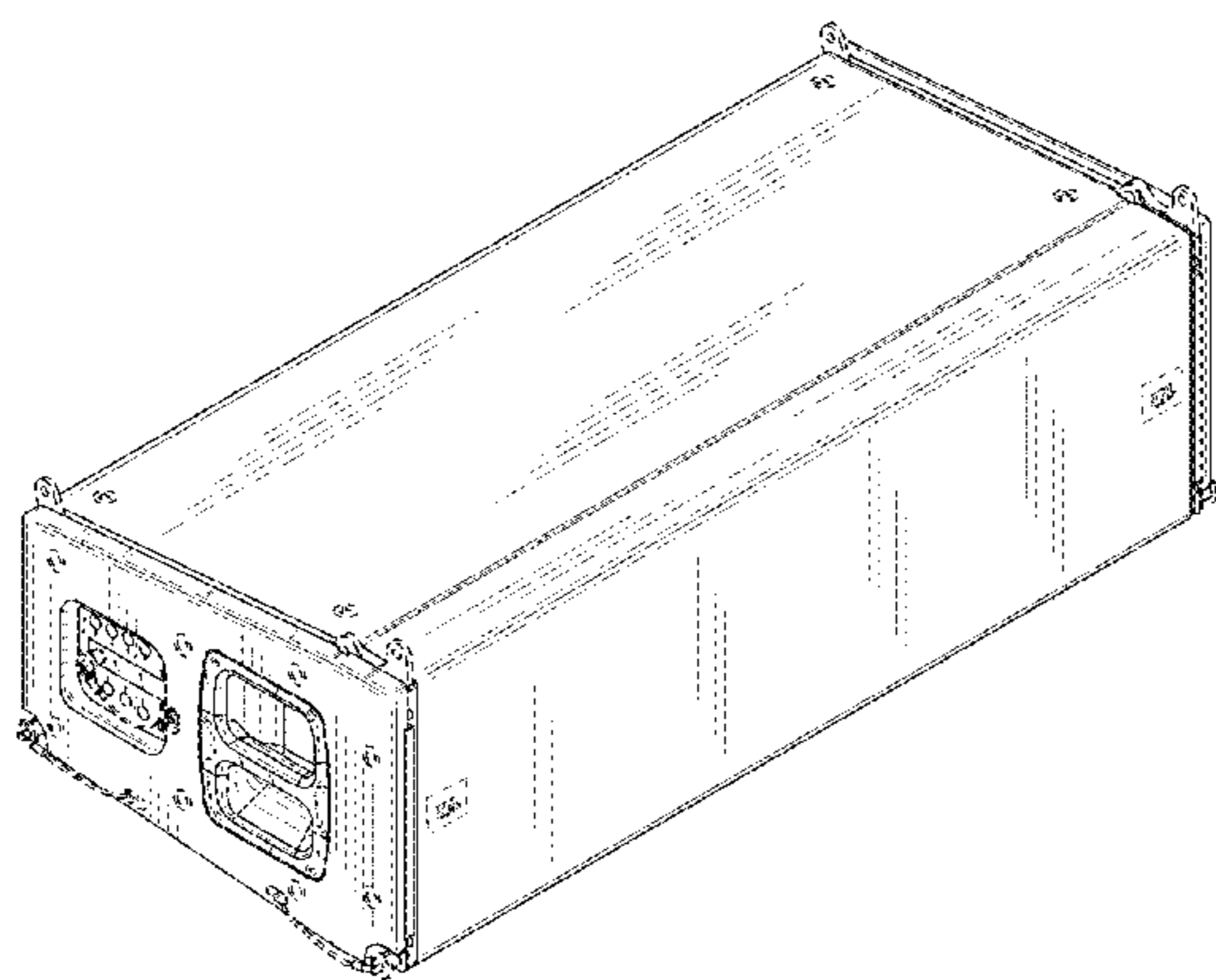
(57) **CLAIM**

The ornamental design for a loudspeaker, as shown and described.

**DESCRIPTION**

FIG. 1 is a perspective view of a loudspeaker showing the new design;  
FIG. 2 is another perspective view thereof;  
FIG. 3 is a top plan view thereof;  
FIG. 4 is a bottom plan view thereof;  
FIG. 5 is a front elevation view thereof;  
FIG. 6 is a rear elevation view thereof;  
FIG. 7 is a side elevation view of one side thereof; and,  
FIG. 8 is a side elevation view of the opposite side thereof.  
The broken line showings form no part of the claimed design.

**1 Claim, 7 Drawing Sheets**



(56)

References Cited

U.S. PATENT DOCUMENTS

5,170,436 A *	12/1992	Powell	.....	H04R 3/14 181/181	D682,250 S *	5/2013	Mattioli	.....	D14/172
5,179,367 A	1/1993	Shimizu			D684,948 S	6/2013	Burlingame et al.		
5,186,506 A	2/1993	Gale			D686,193 S	7/2013	Giffin et al.		
D350,136 S	8/1994	Kim			D687,815 S	8/2013	Hwangho et al.		
5,368,270 A	11/1994	Wiwczar			D692,864 S	11/2013	Givre et al.		
D358,818 S	5/1995	Rozier et al.			D695,269 S *	12/2013	Carpenter	.....	D14/209.1
5,639,996 A *	6/1997	Tan	.....	H04R 1/2811 181/199	D698,336 S	1/2014	Givre et al.		
D392,289 S *	3/1998	Isonaga	.....	D14/214	D705,191 S *	5/2014	Boudreau	.....	D14/214
5,758,582 A	6/1998	Gnezdilov			D710,327 S *	8/2014	McManigal	.....	D14/214
D408,819 S *	4/1999	Katsumata	.....	D14/214	D712,878 S	9/2014	Azumi		
5,996,728 A *	12/1999	Stark	.....	H04R 1/028 181/144	D714,259 S *	9/2014	Galler	.....	D14/221
D421,754 S *	3/2000	Ito	.....	D14/214	D716,260 S *	10/2014	Park	.....	D14/210
6,035,962 A *	3/2000	Lin	.....	H04R 1/02 181/148	D723,586 S *	3/2015	Joo	.....	D14/496
D439,237 S *	3/2001	Felix	.....	D14/214	D727,292 S	4/2015	Anthony et al.		
D440,228 S	4/2001	Schmidt, Jr. et al.			D727,874 S *	4/2015	Christner	.....	D14/210
D450,778 S	11/2001	Engebretson			D729,768 S *	5/2015	Park	.....	D14/214
D472,887 S	4/2003	Right et al.			D732,079 S *	6/2015	Xin	.....	D14/188
6,578,807 B1	6/2003	Lipscomb et al.			D733,680 S *	7/2015	Nugent	.....	D14/214
6,640,924 B2	11/2003	Messner			D742,854 S	11/2015	Warden et al.		
D500,025 S	12/2004	Vincenot et al.			D749,056 S *	2/2016	Xin	.....	D14/214
D511,339 S	11/2005	Tsuge			D749,278 S	2/2016	Garvey		
D516,543 S *	3/2006	Kubota	.....	D14/214	D752,015 S *	3/2016	Spillmann	.....	D14/204
D523,418 S *	6/2006	Kubota	.....	D14/214	D759,627 S *	6/2016	McManigal	.....	D14/214
7,096,995 B2 *	8/2006	Cox	.....	H04R 1/02 181/148	D761,762 S	7/2016	Andrews et al.		
D531,986 S *	11/2006	Azumi	.....	D14/214	D764,444 S *	8/2016	Sulzer	.....	D14/210
7,298,860 B2	11/2007	Engebretson et al.			D771,585 S	11/2016	Espinosa et al.		
D560,657 S	1/2008	Langberg et al.			D778,872 S *	2/2017	Yang	.....	D14/204
7,324,654 B2	1/2008	Opie et al.			9,571,923 B2	2/2017	Spillmann et al.		
7,328,769 B1	2/2008	Adamson			9,584,887 B2	2/2017	Spillmann et al.		
D568,294 S	5/2008	Sawhney et al.			D783,574 S	4/2017	Garrett et al.		
D572,702 S	7/2008	Bart			D790,508 S *	6/2017	Lewis	.....	D14/204
D582,391 S	12/2008	Morimoto			D793,992 S	8/2017	Peace et al.		
D583,802 S *	12/2008	Pincek	.....	D14/214	D817,307 S *	5/2018	Spillmann	.....	D14/214
D591,724 S *	5/2009	Davies	.....	D14/214	D823,830 S *	7/2018	Spillmann	.....	D14/208
D609,216 S *	2/2010	Davies	.....	D14/214	D827,610 S *	9/2018	Kim	.....	D14/214
D615,963 S *	5/2010	Cho	.....	D14/214	D832,236 S *	10/2018	Nugent	.....	D14/214
D628,979 S *	12/2010	Yagi	.....	D14/214	D835,067 S *	12/2018	Kim	.....	D14/214
D637,580 S *	5/2011	Aranda, Jr.	.....	D14/214	D836,603 S *	12/2018	Warden	.....	D14/214
D641,006 S *	7/2011	Anthony	.....	D14/214	D837,187 S *	1/2019	Kasten	.....	D14/221
D642,555 S	8/2011	Hawkins et al.			2002/0071580 A1	6/2002	Engebretson et al.		
D654,474 S	2/2012	Hawkins et al.			2002/0114482 A1	8/2002	Adamson		
D659,119 S	5/2012	Brunner et al.			2003/0127280 A1	7/2003	Engebretson		
D663,719 S	7/2012	Warden et al.			2004/0003961 A1	1/2004	Gunness		
D671,912 S	12/2012	Warden et al.			2004/0251078 A1	12/2004	Kung		
D675,188 S	1/2013	Hawkins et al.			2005/0232455 A1	10/2005	Monitto et al.		
					2007/0000719 A1	1/2007	Bothe		
					2009/0214067 A1	8/2009	Bothe		
					2011/0305362 A1	12/2011	McGhee et al.		
					2012/0300962 A1 *	11/2012	Devoto	.....	H04R 5/02 381/300
					2013/0208936 A1	8/2013	McGhee et al.		
					2014/0205126 A1	7/2014	Faranda et al.		
					2016/0212523 A1	7/2016	Spillmann		

\* cited by examiner



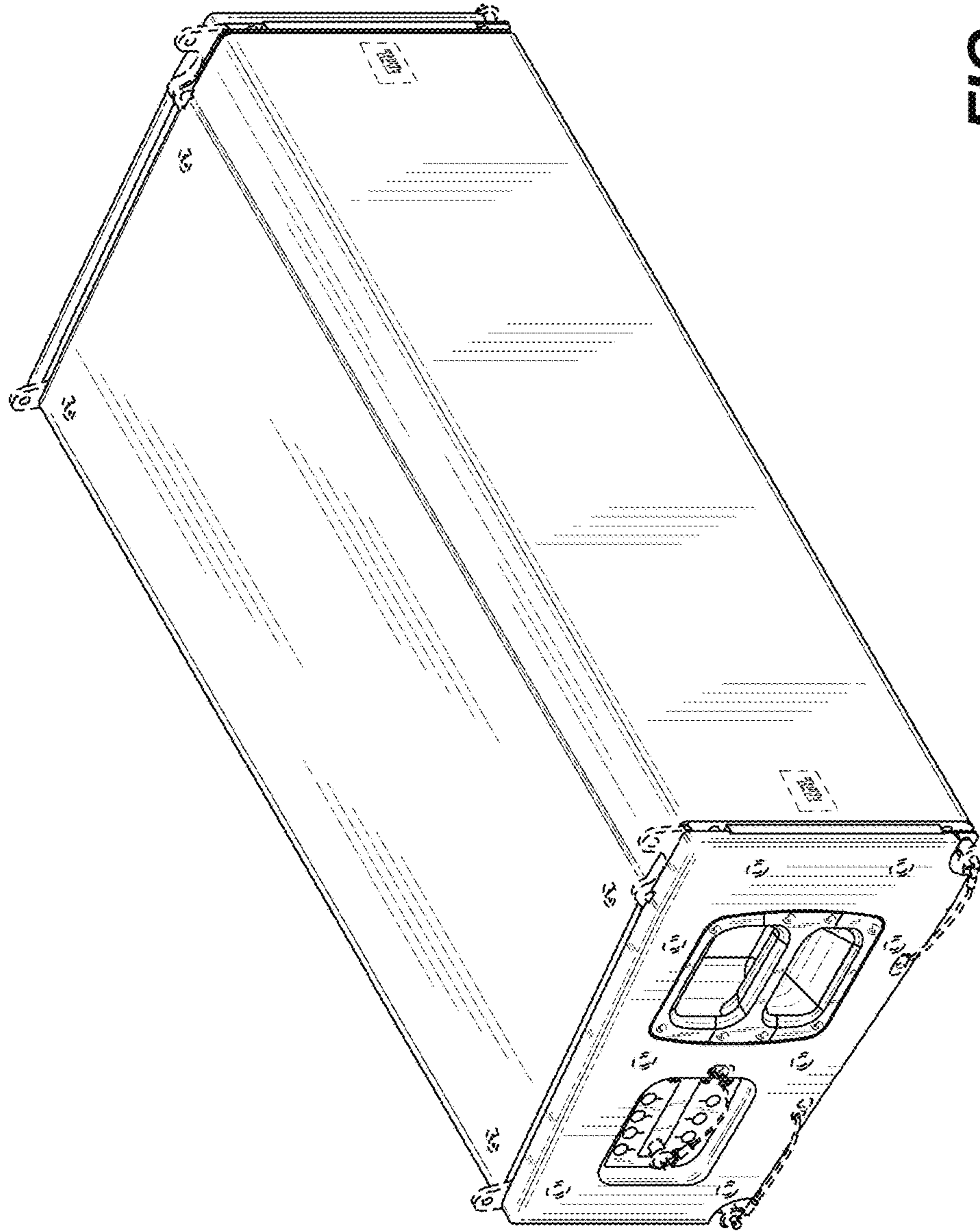


FIG. 1

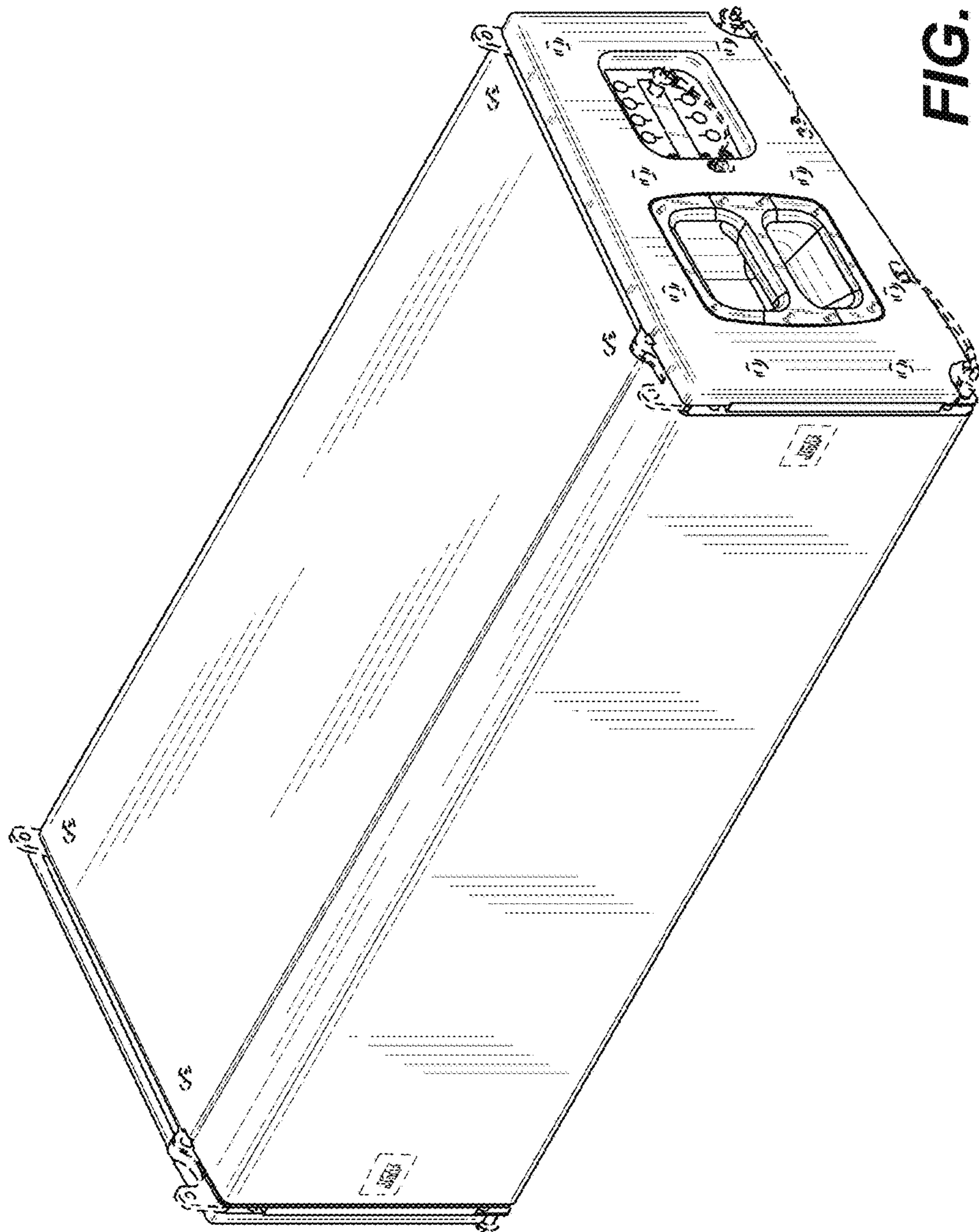


FIG. 2

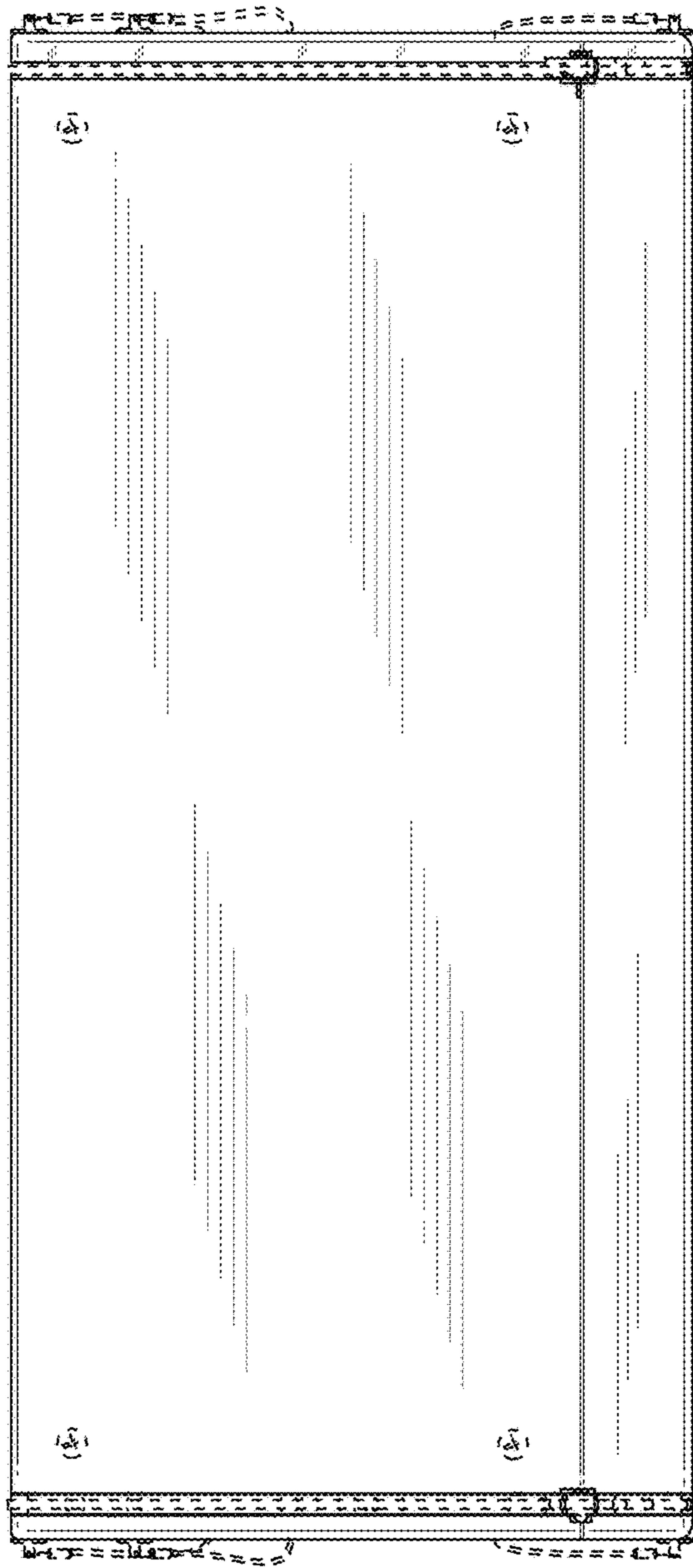
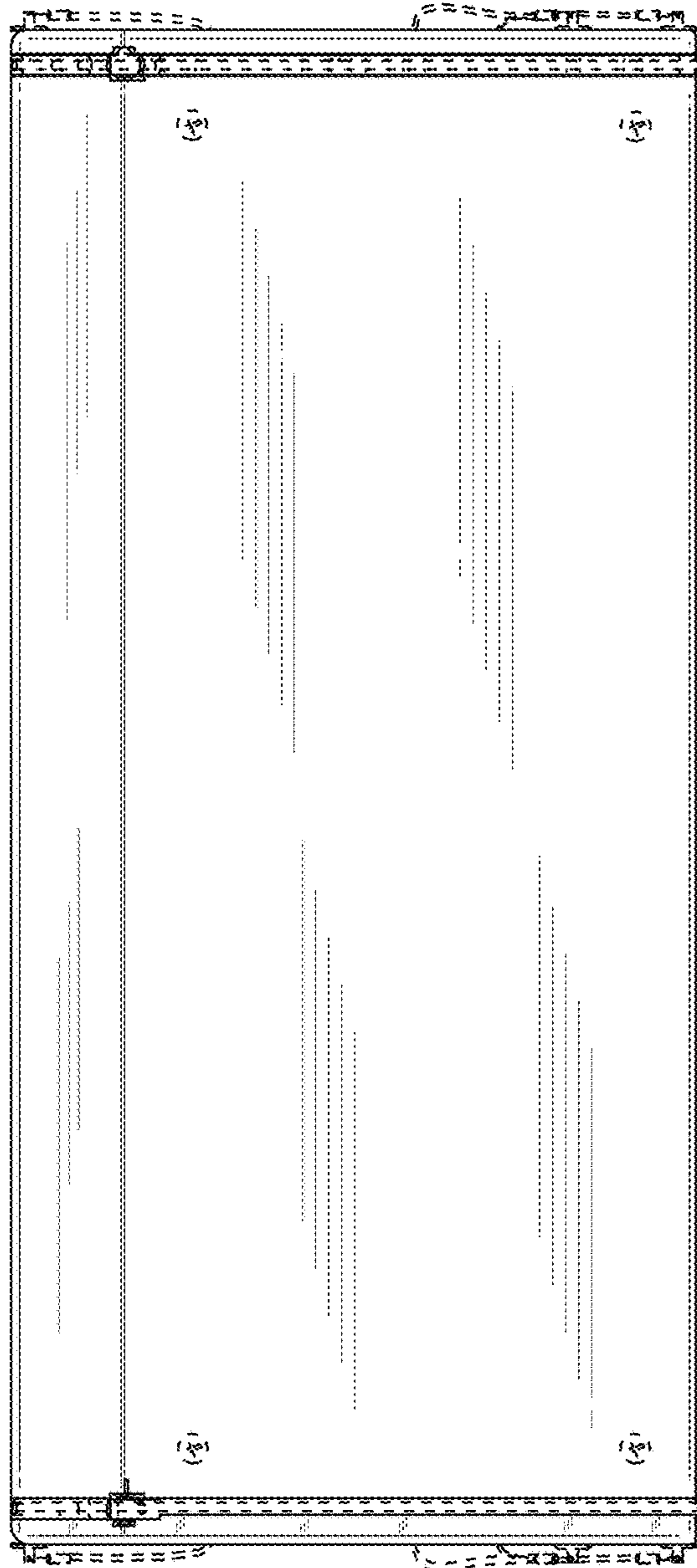


FIG. 3



**FIG. 4**

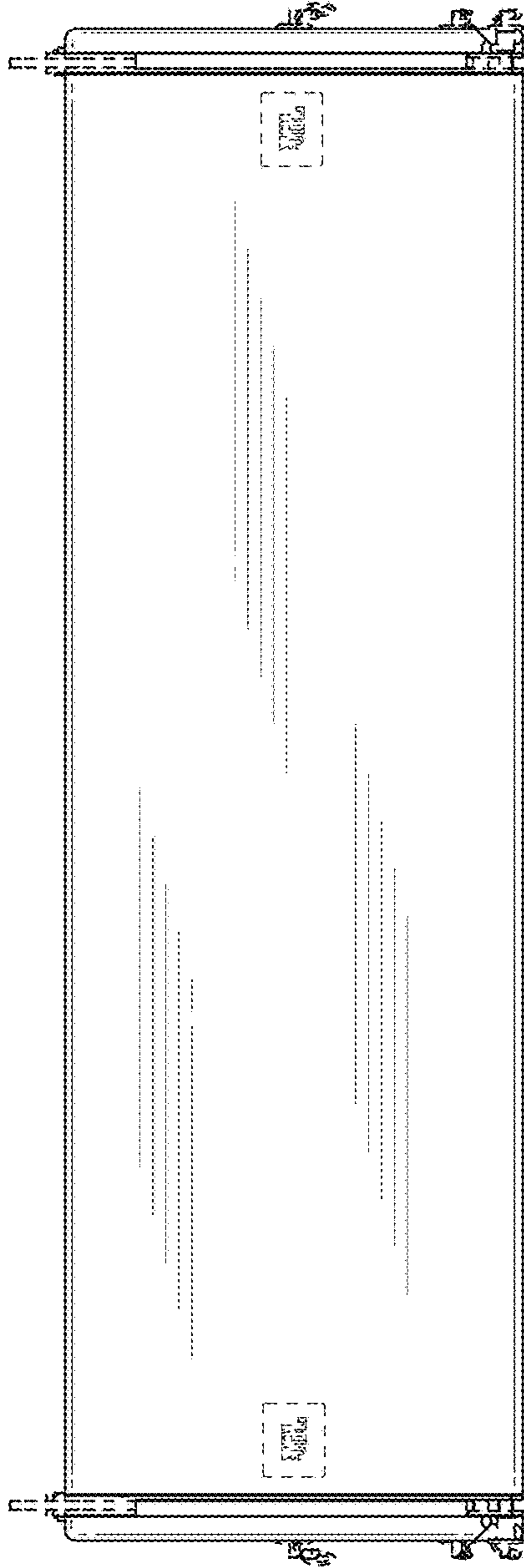


FIG. 5



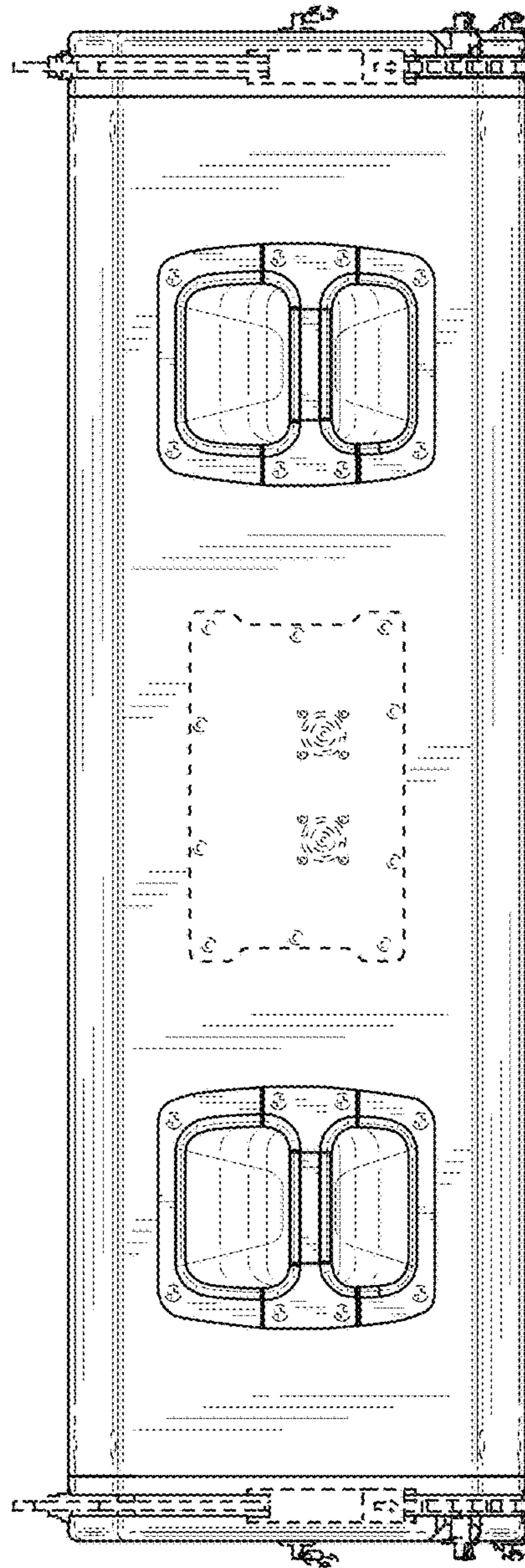


FIG. 6



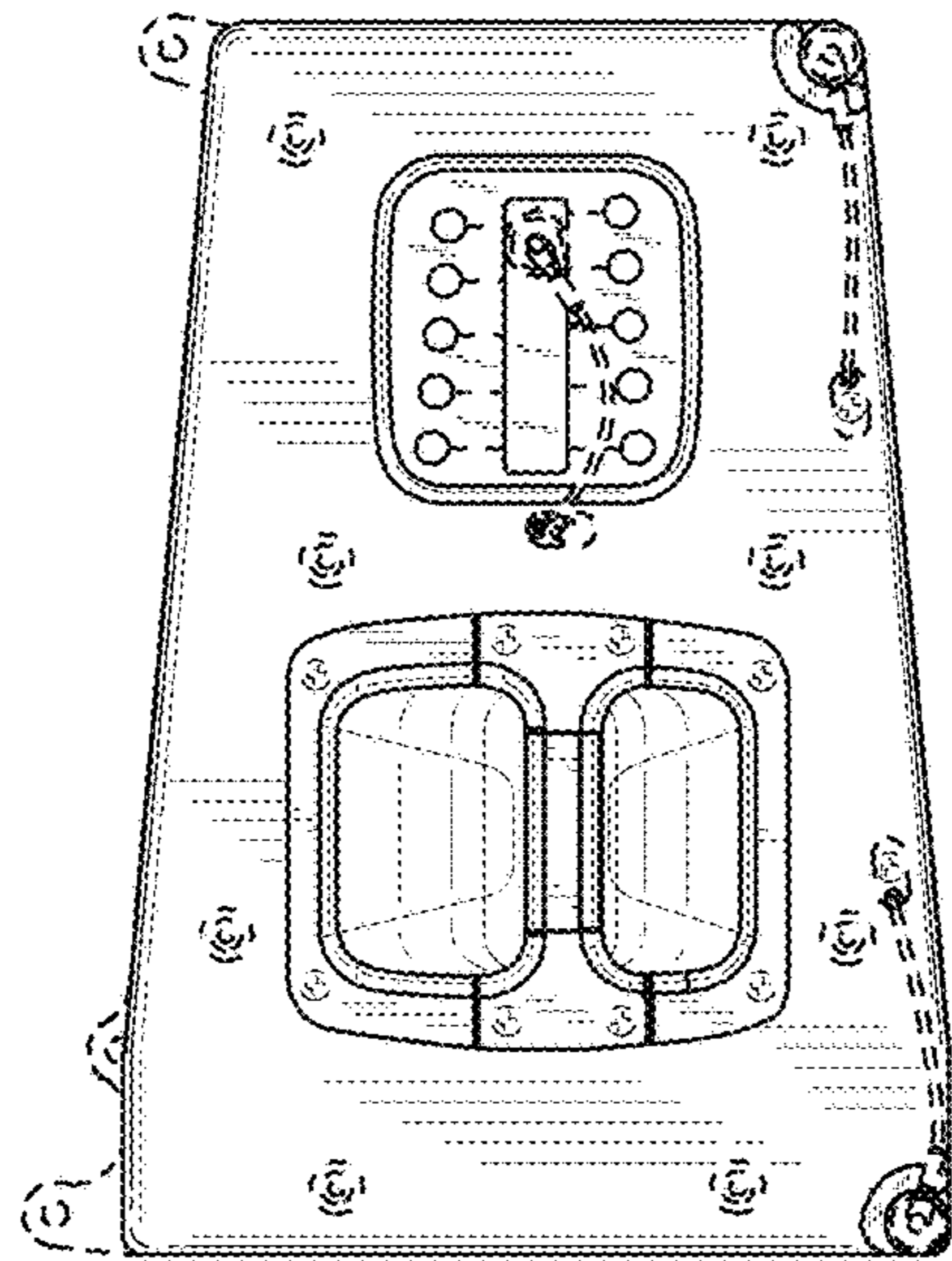


FIG. 8

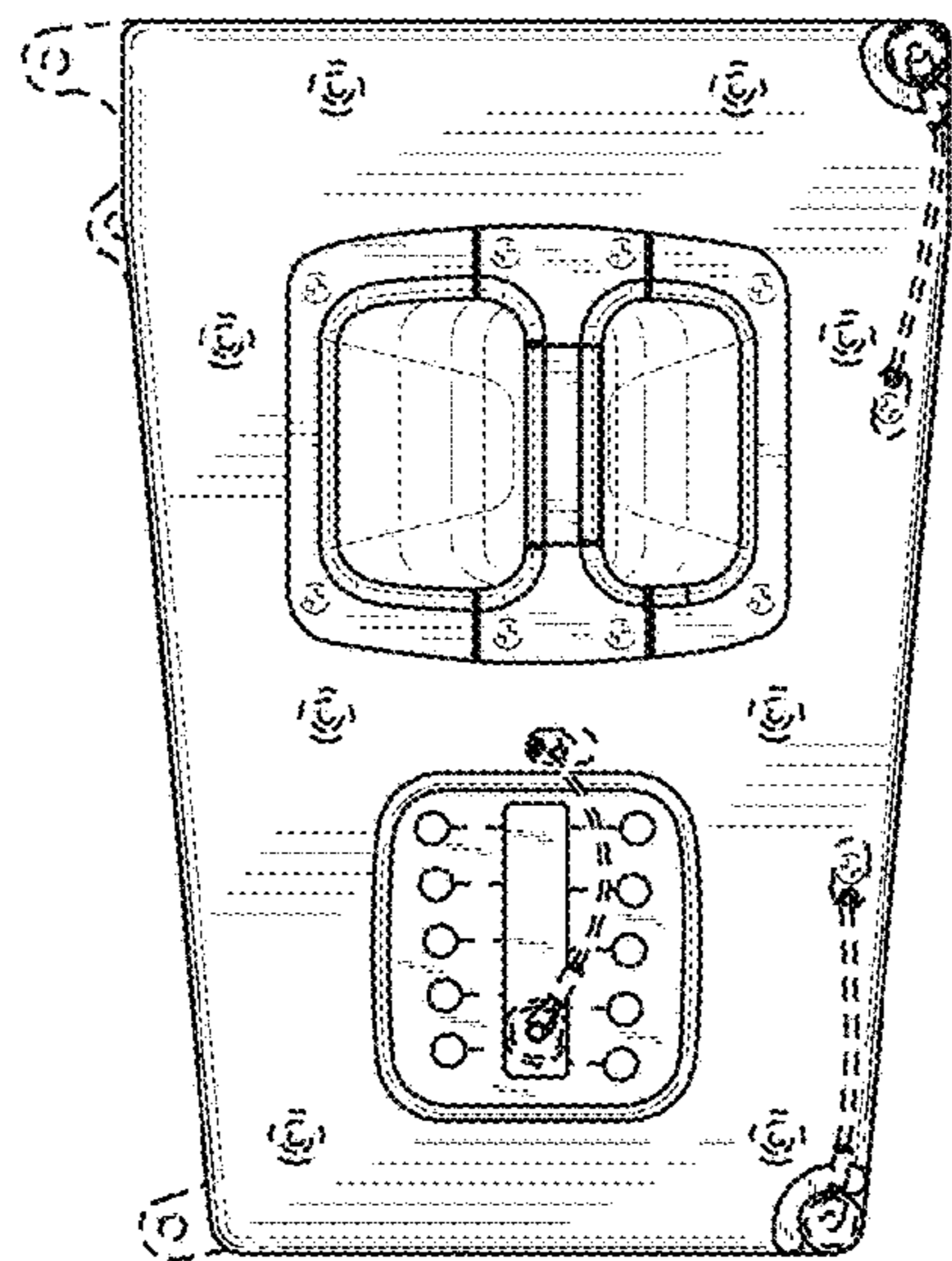


FIG. 7