



US00D853988S

(12) **United States Design Patent**  
**Wang**

(10) **Patent No.:** **US D853,988 S**

(45) **Date of Patent:** **\*\* Jul. 16, 2019**

(54) **GAMING HEADSET**

(71) Applicant: **Zhaoxia Wang**, Henan (CN)

(72) Inventor: **Zhaoxia Wang**, Henan (CN)

(\*\*) Term: **15 Years**

(21) Appl. No.: **29/612,407**

(22) Filed: **Aug. 1, 2017**

(51) **LOC (11) Cl.** ..... **14-01**

(52) **U.S. Cl.**  
USPC ..... **D14/206**; D14/226

(58) **Field of Classification Search**  
USPC ..... D14/206, 205, 225, 226, 188, 192, 372;  
D29/112; 2/209; 345/7, 8; 181/129,  
181/130, 135; 379/430, 431; 381/380,  
381/381, 370, 375, 374, 382, 183;  
455/90.3, 575.1, 569.1  
CPC .... H04R 1/1066; H04R 1/1016; H04R 25/00;  
H04R 1/105; H04R 5/033; H04R 5/0335;  
H04R 1/1091; H04R 1/1058  
See application file for complete search history.

5,841,858 A \* 11/1998 Frierson ..... H04M 1/0202  
379/430  
D404,035 S \* 1/1999 Delazzer ..... D14/205  
5,960,094 A \* 9/1999 Jensen ..... H04M 1/05  
381/374  
D447,472 S \* 9/2001 McGugan ..... D14/225  
6,295,366 B1 \* 9/2001 Haller ..... H04R 5/0335  
379/430  
D449,040 S \* 10/2001 Weikel ..... D14/227  
D457,155 S \* 5/2002 Skulley ..... D14/206  
D497,357 S \* 10/2004 Allum ..... D14/206  
D505,413 S \* 5/2005 Skulley ..... D14/223  
D508,483 S \* 8/2005 Suzuki ..... D14/205  
D514,087 S \* 1/2006 Wilson ..... D14/206  
D517,527 S \* 3/2006 Suzuki ..... D14/205  
D517,528 S \* 3/2006 Skulley ..... D14/206  
D518,479 S \* 4/2006 Skulley ..... D14/225  
D531,165 S \* 10/2006 Rath ..... D14/206  
D540,303 S \* 4/2007 Rausch ..... D14/205  
D549,688 S \* 8/2007 Suzuki ..... D14/205  
D589,492 S \* 3/2009 Mistry ..... D14/205  
D600,674 S \* 9/2009 Brennwald ..... D14/205

(Continued)

*Primary Examiner* — Paula Allen Greene

(57) **CLAIM**

The ornamental design for a gaming headset, as shown and described.

**DESCRIPTION**

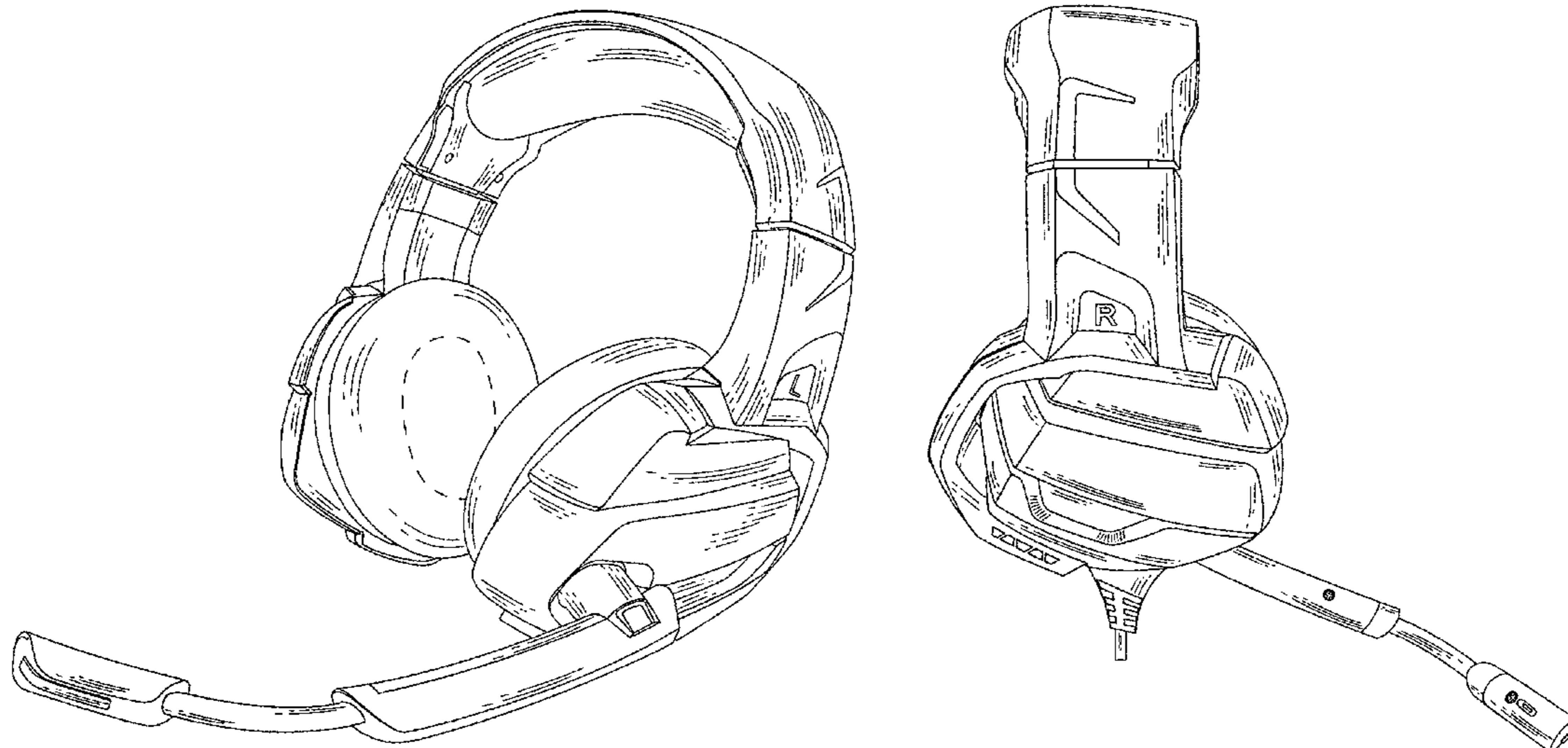
FIG. 1 is a perspective view of a gaming headset showing my new design, the opposite front face of the gaming headset ear cup is a mirror image;  
FIG. 2 is a front elevational view thereof;  
FIG. 3 is a rear elevational view thereof;  
FIG. 4 is a left side elevational view thereof;  
FIG. 5 is a right side elevational view thereof;  
FIG. 6 is a top plan view thereof; and,  
FIG. 7 is a bottom plan view thereof.  
The broken lines depict environment that forms no part of the claimed design.

**1 Claim, 7 Drawing Sheets**

(56) **References Cited**

**U.S. PATENT DOCUMENTS**

3,488,457 A \* 1/1970 Lahti ..... H04R 1/1008  
381/371  
D233,444 S \* 10/1974 Christian ..... D14/206  
D254,183 S \* 2/1980 Doodson ..... D14/205  
4,754,484 A \* 6/1988 Larkin ..... H04M 1/05  
379/419  
D299,337 S \* 1/1989 Wiegel ..... D14/206  
D302,429 S \* 7/1989 Leer ..... D14/137  
5,708,725 A \* 1/1998 Ito ..... H04R 1/1041  
381/370  
D395,894 S \* 7/1998 Hern ..... D14/227  
5,793,878 A \* 8/1998 Chang ..... H04R 5/0335  
381/370



(56)

**References Cited**

U.S. PATENT DOCUMENTS

D604,266	S *	11/2009	Milde .....	D14/205
D641,727	S *	7/2011	Krauss .....	D14/206
D662,490	S *	6/2012	McSweyn .....	D14/205
D666,993	S *	9/2012	Kelley .....	D14/205
D672,745	S *	12/2012	Abed .....	D14/205
D673,522	S *	1/2013	Iijima .....	D14/205
D690,284	S *	9/2013	Brennwald .....	D14/205
D723,508	S *	3/2015	Garland .....	D14/205
D724,561	S *	3/2015	Ko .....	D14/205
9,036,849	B2 *	5/2015	Thompson .....	H04R 1/083 381/122
D741,286	S *	10/2015	Brennwald .....	D14/205
D745,859	S *	12/2015	Kiuchi .....	D14/205
D769,219	S *	10/2016	Ohmachi .....	D14/205
D788,071	S *	5/2017	Logan .....	D14/205
D808,359	S *	1/2018	Meyer .....	D14/205
D815,614	S *	4/2018	Tzeng .....	D14/205
D824,360	S *	7/2018	Hsieh .....	D14/205
2010/0040252	A1 *	2/2010	Thompson .....	H04R 1/083 381/375
2011/0194721	A1 *	8/2011	Schmidt .....	H04R 1/066 381/370

\* cited by examiner

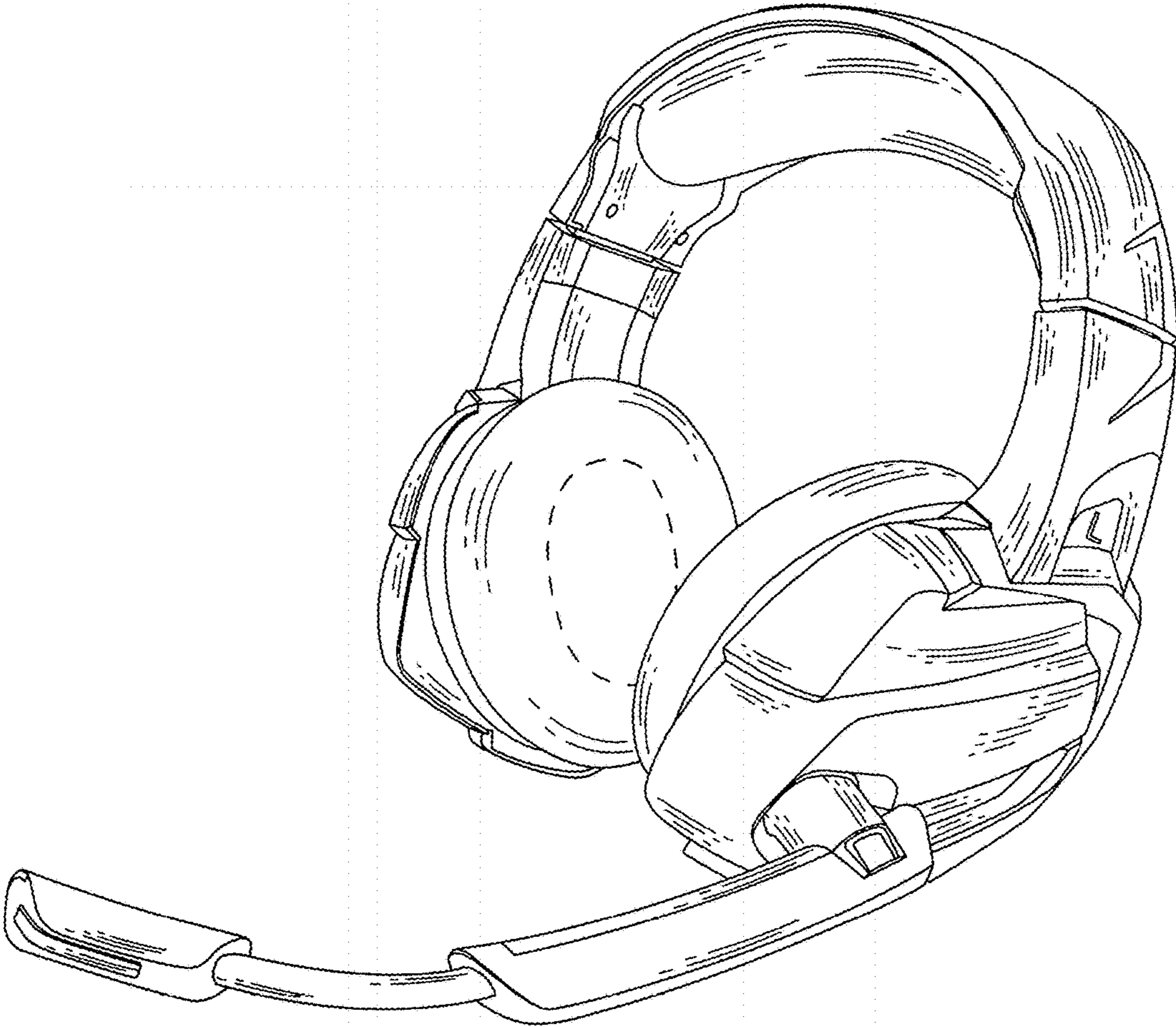


FIG. 1



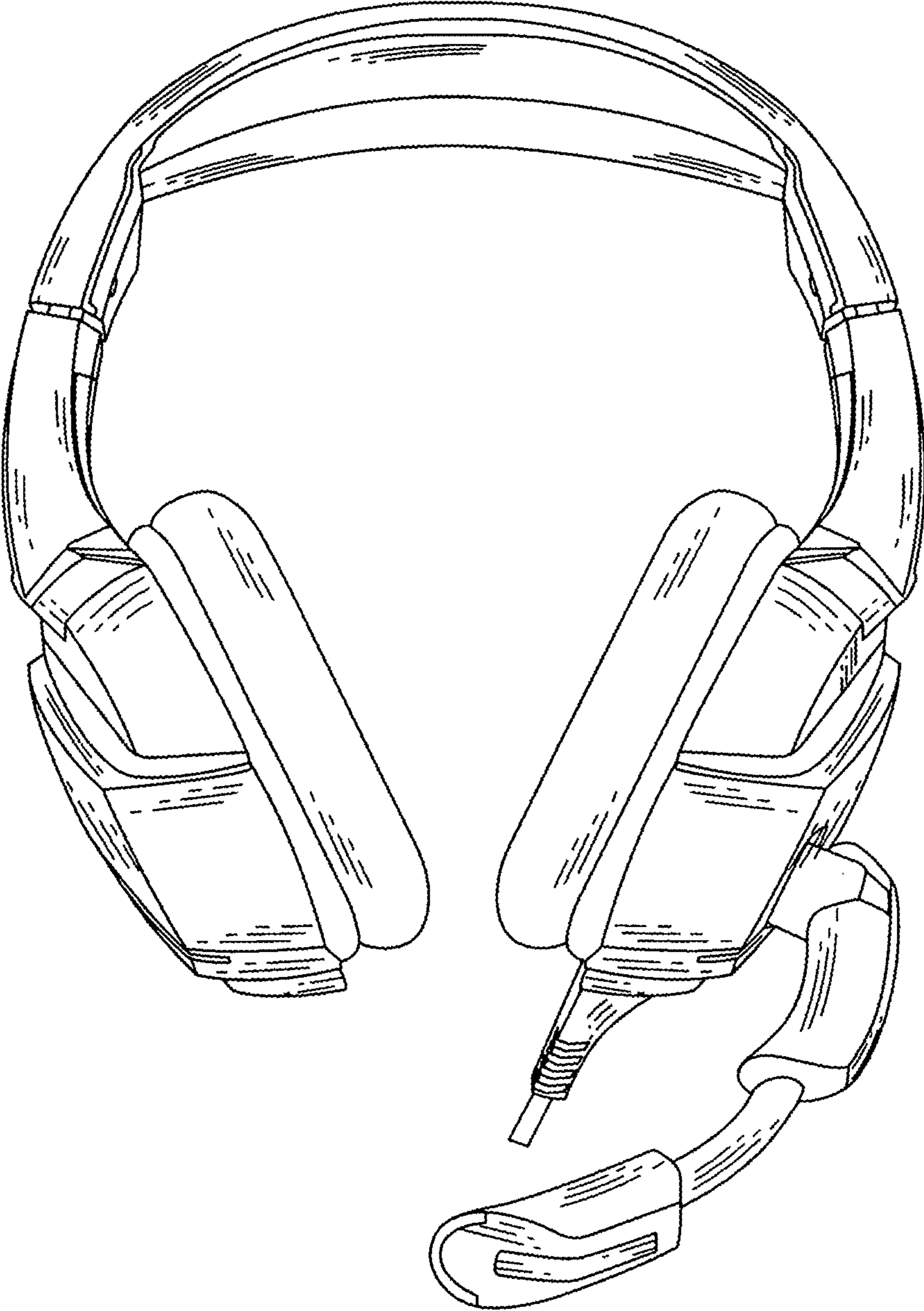


FIG. 2

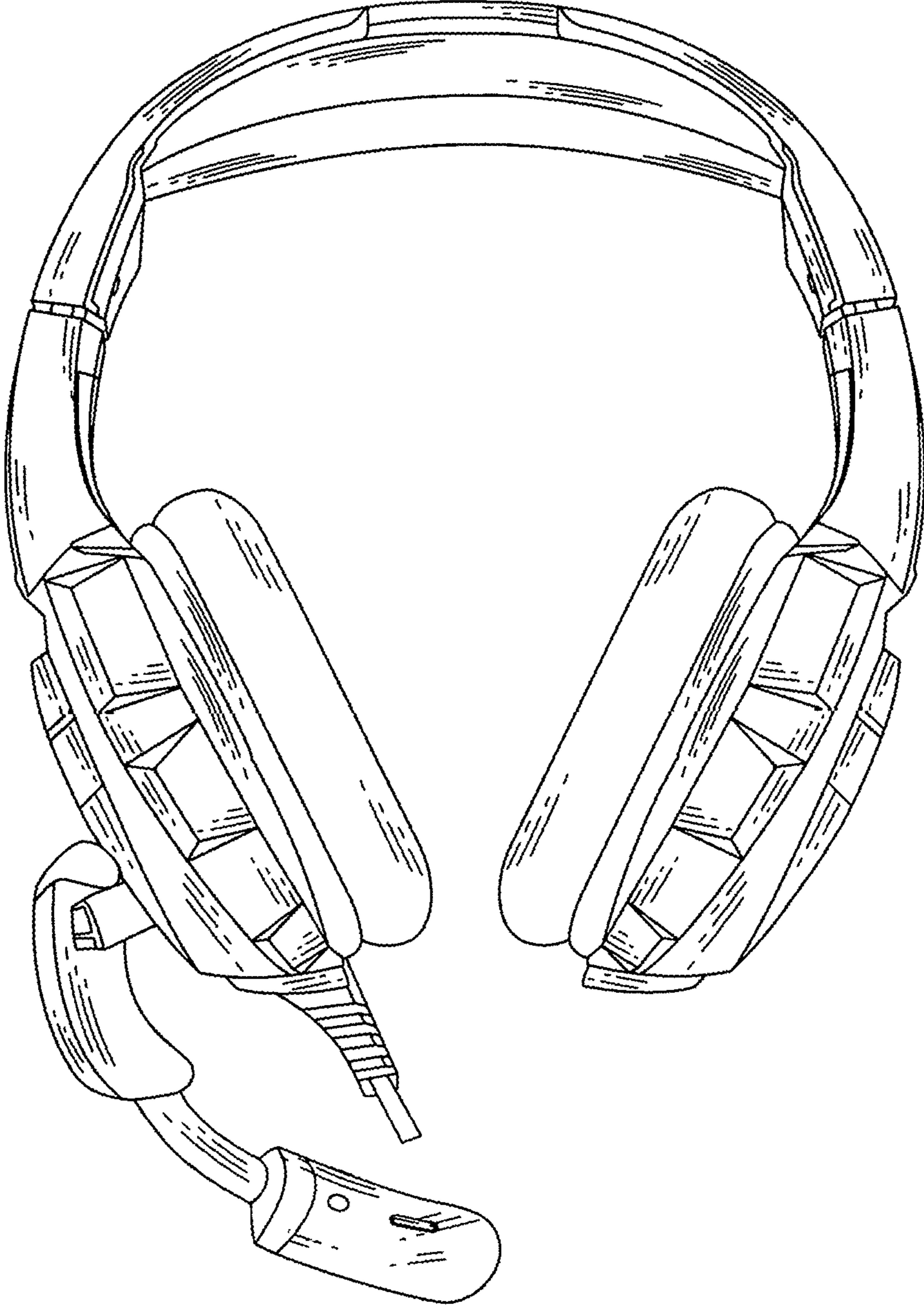


FIG. 3

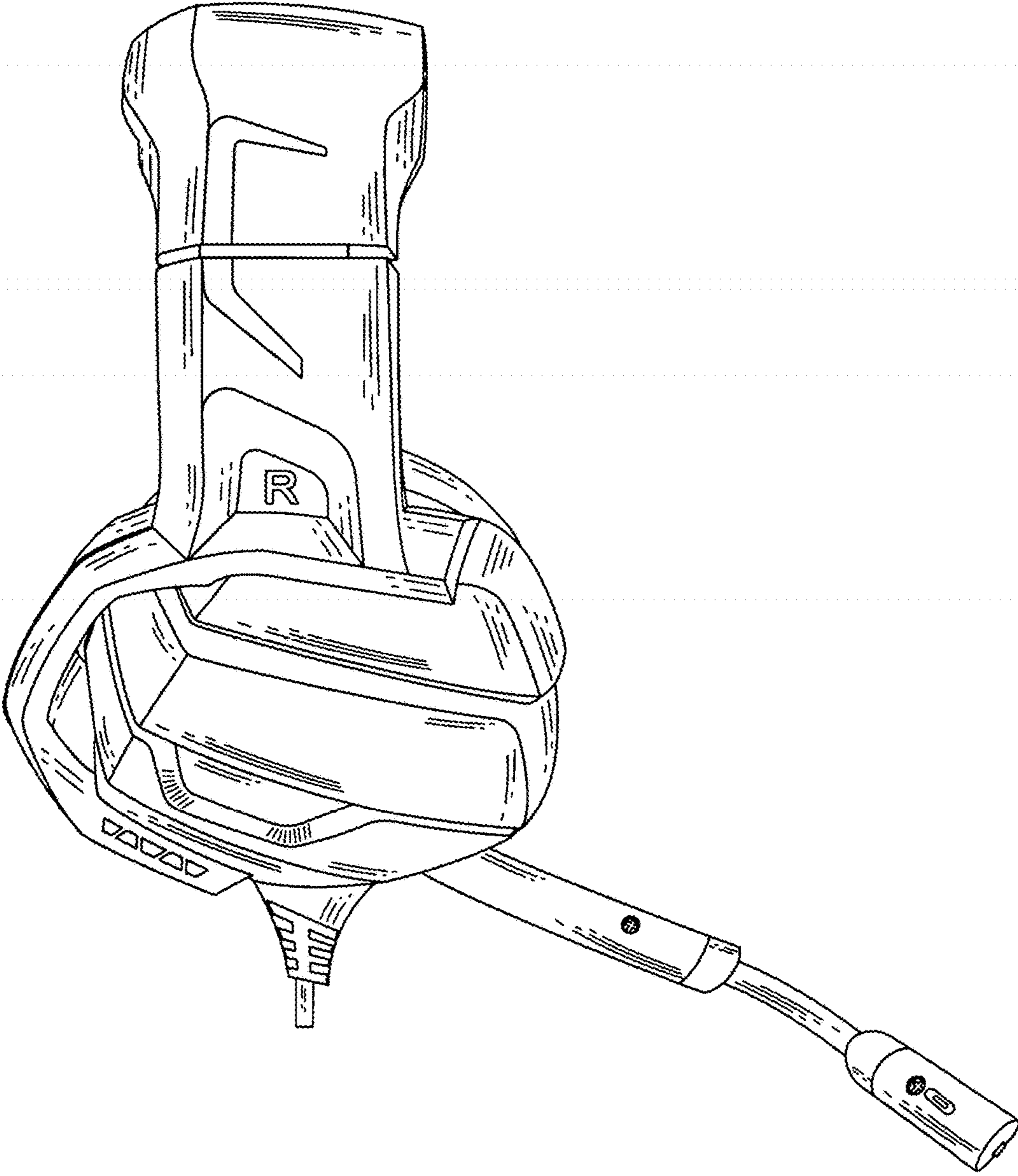


FIG. 4

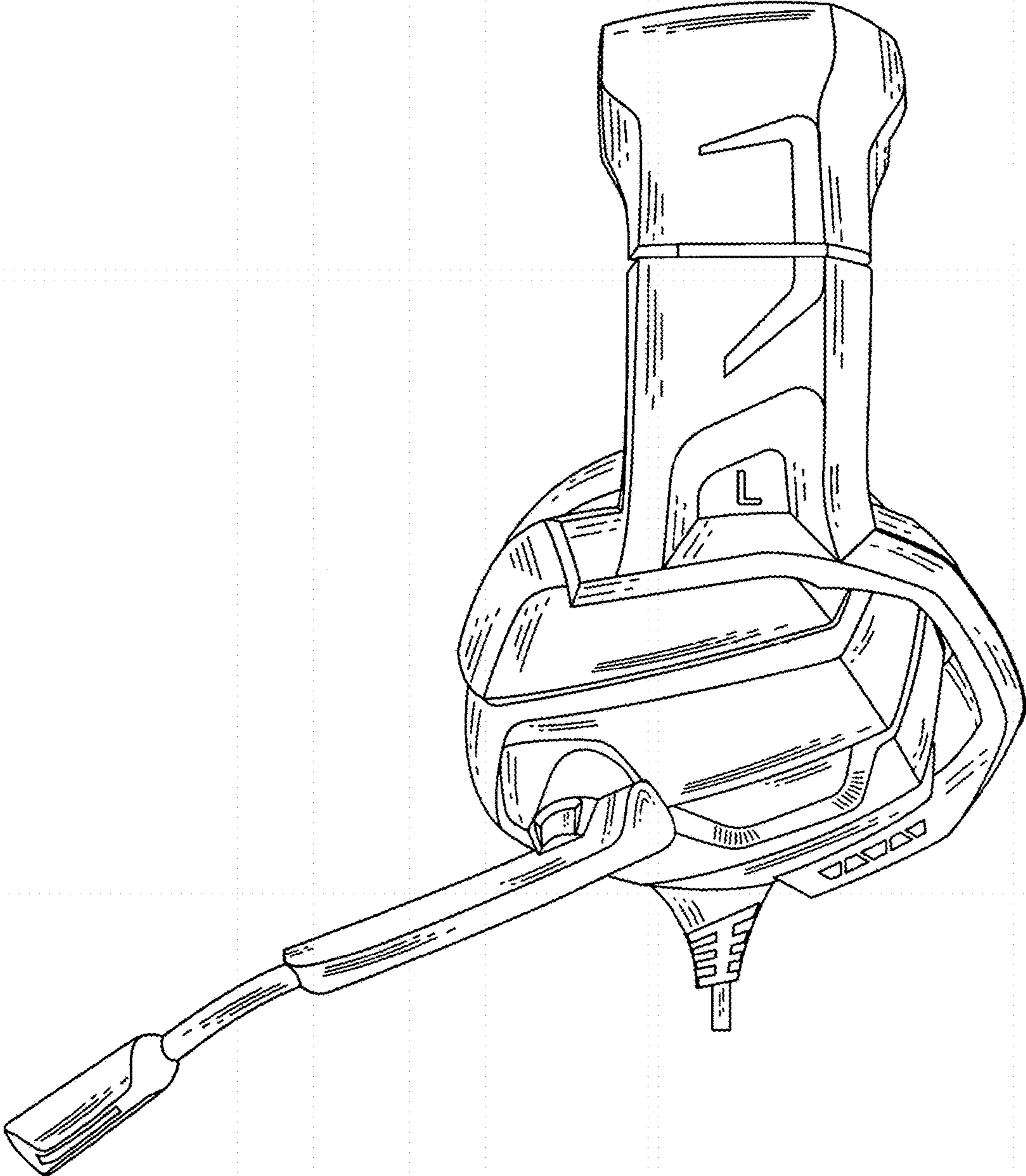


FIG. 5



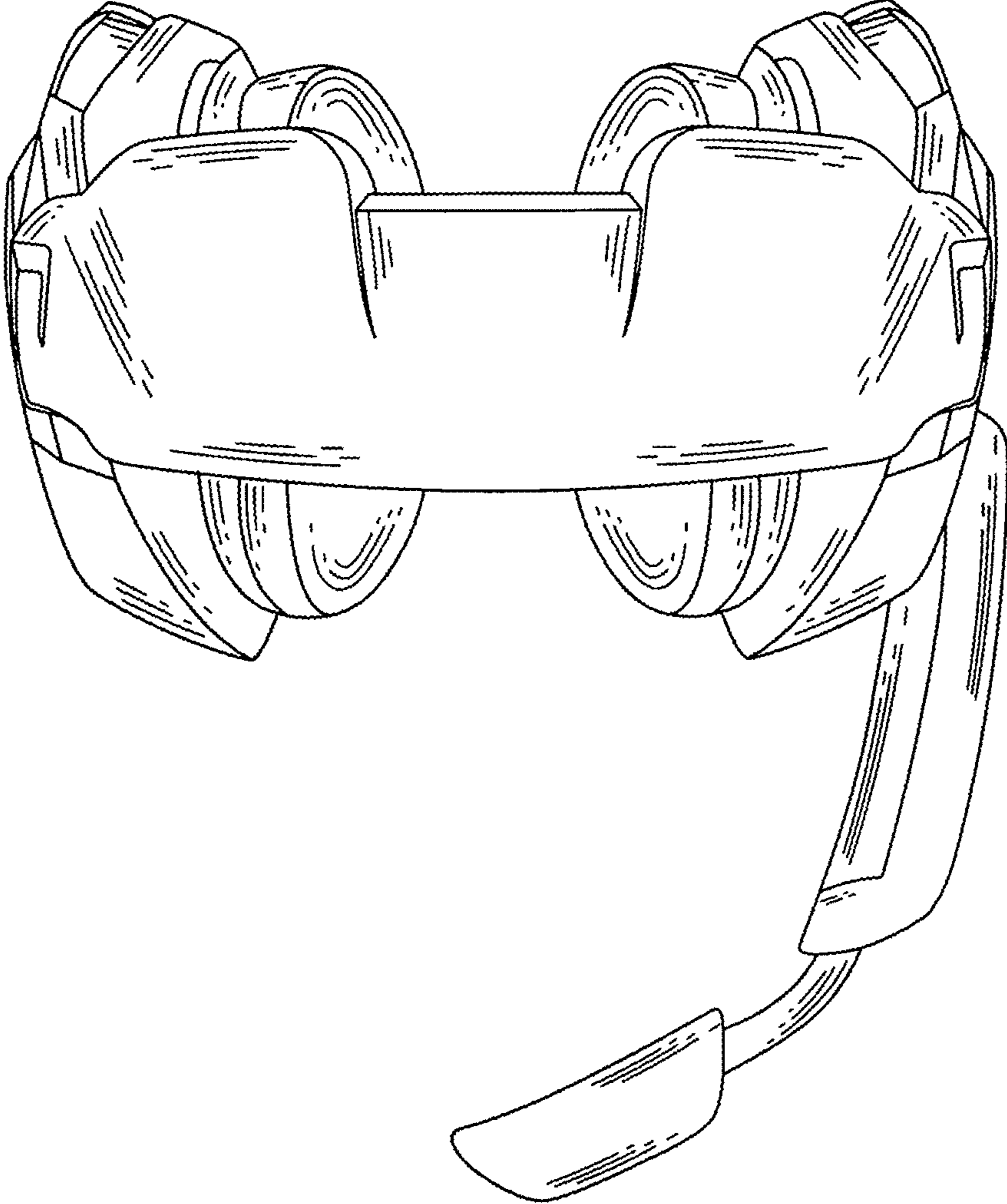


FIG. 6



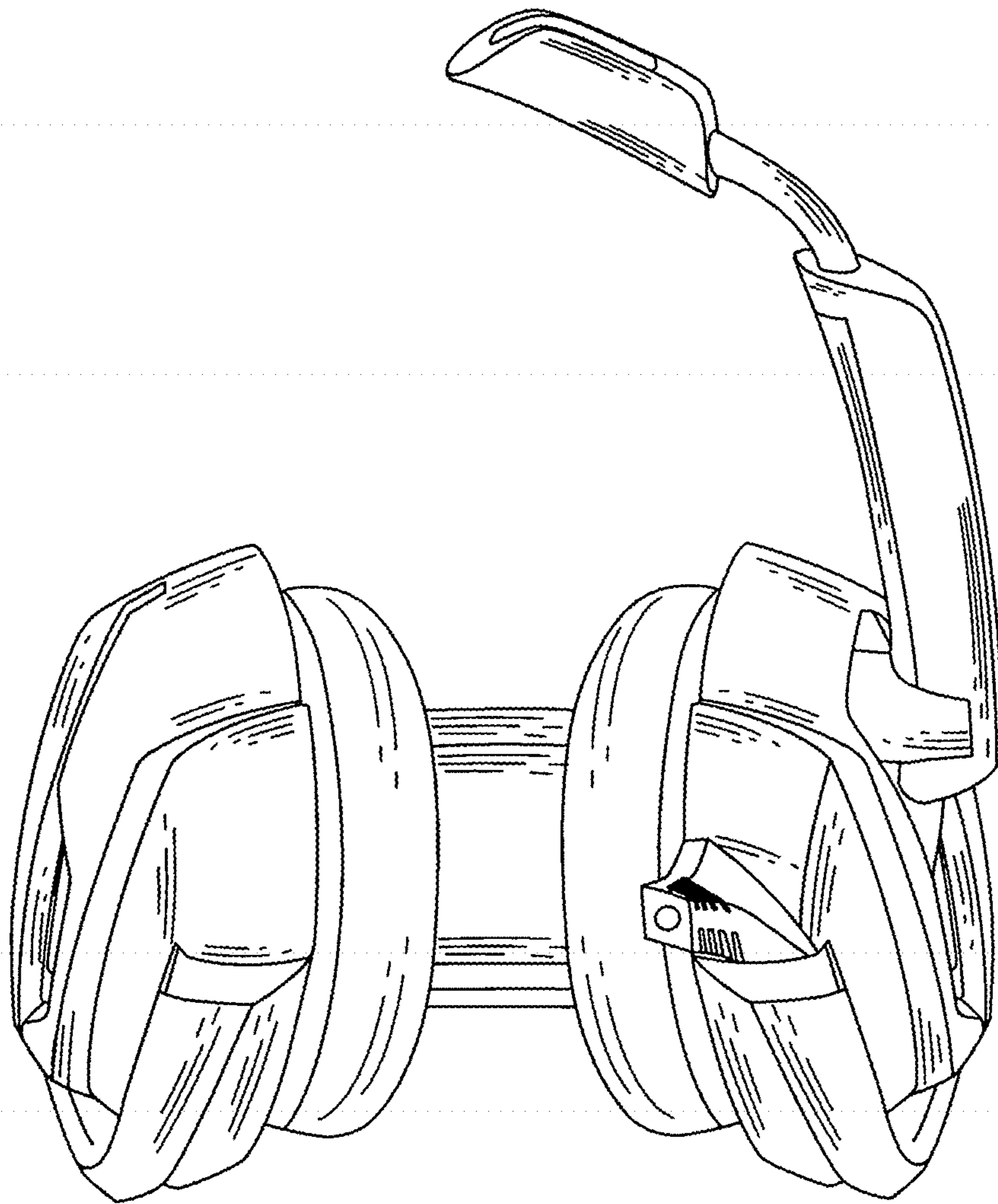


FIG. 7