



US00D853985S

(12) **United States Design Patent**  
**Ito et al.**

(10) **Patent No.:** **US D853,985 S**  
(45) **Date of Patent:** **\*\* Jul. 16, 2019**

(54) **HEADPHONE**

379/430, 431; D8/349, 354, 355, 383;  
D2/626.639; 24/327, 321, 336, 487;  
52/220.1; 248/311.2, 205.2, 406

(71) Applicant: **Sony Corporation**, Tokyo (JP)

CPC .... H04R 1/1066; H04R 1/1016; H04R 25/00;  
H04R 5/033; H04R 5/0335

(72) Inventors: **Tomohiro Ito**, Tokyo (JP); **Takeshi Inoue**, Kanagawa (JP); **Daisuke Matsuo**, Saitama (JP); **Hisahiro Tanaka**, Chiba (JP)

See application file for complete search history.

(73) Assignee: **SONY CORPORATION**, Tokyo (JP)

(56) **References Cited**

(\*\*) Term: **15 Years**

U.S. PATENT DOCUMENTS

(21) Appl. No.: **29/605,564**

D106,823 S	11/1937	Sears	
D135,674 S	5/1943	Williams et al.	
D206,228 S	11/1966	Strzalkawski	
D206,718 S	1/1967	Barry	
D208,784 S	10/1967	Sanzone	
3,505,684 A *	4/1970	Hutchinson .....	A61F 11/14 2/209
3,681,540 A *	8/1972	Thomson .....	H04R 1/1066 381/374
D229,833 S *	1/1974	Becker .....	D14/205
4,133,053 A *	1/1979	Lundin .....	H04R 1/1058 2/209
D254,616 S *	4/1980	Tabata .....	D14/205
4,209,268 A *	6/1980	Fujiwara .....	E21D 9/0635 277/355
D262,019 S	11/1981	Upshaw	
4,721,276 A *	1/1988	Moss .....	B60N 3/10 248/205.2
D301,145 S *	5/1989	Besasie .....	D14/205
D302,429 S *	7/1989	Leer .....	D14/137
D313,092 S *	12/1990	Nilsson .....	D14/205
5,117,465 A *	5/1992	MacDonald .....	H04R 1/10 381/150
D340,932 S	11/1993	Yan	
D351,172 S *	10/1994	Nakamura .....	D14/205
D353,379 S	12/1994	Nakamura et al.	
5,862,241 A *	1/1999	Nelson .....	H04R 1/105 381/374
D432,522 S	10/2000	Kieltyka et al.	
6,195,441 B1	2/2001	Ito	
6,311,881 B1 *	11/2001	Kamiya .....	A45F 5/02 224/195
D468,301 S	1/2003	Fushimi	
6,724,906 B2 *	4/2004	Naksen .....	H04R 1/1066 381/370
D508,484 S	8/2005	Okada	
D511,156 S	11/2005	Eroma et al.	
D524,794 S *	7/2006	Kim .....	D14/205
7,089,042 B2	8/2006	Bodley	
D529,612 S	10/2006	Feeley et al.	

(22) Filed: **May 26, 2017**

**Related U.S. Application Data**

(63) Continuation of application No. 29/519,237, filed on Mar. 3, 2015, now Pat. No. Des. 789,327, which is a continuation-in-part of application No. 29/483,330, filed on Feb. 27, 2014, now Pat. No. Des. 729,776.

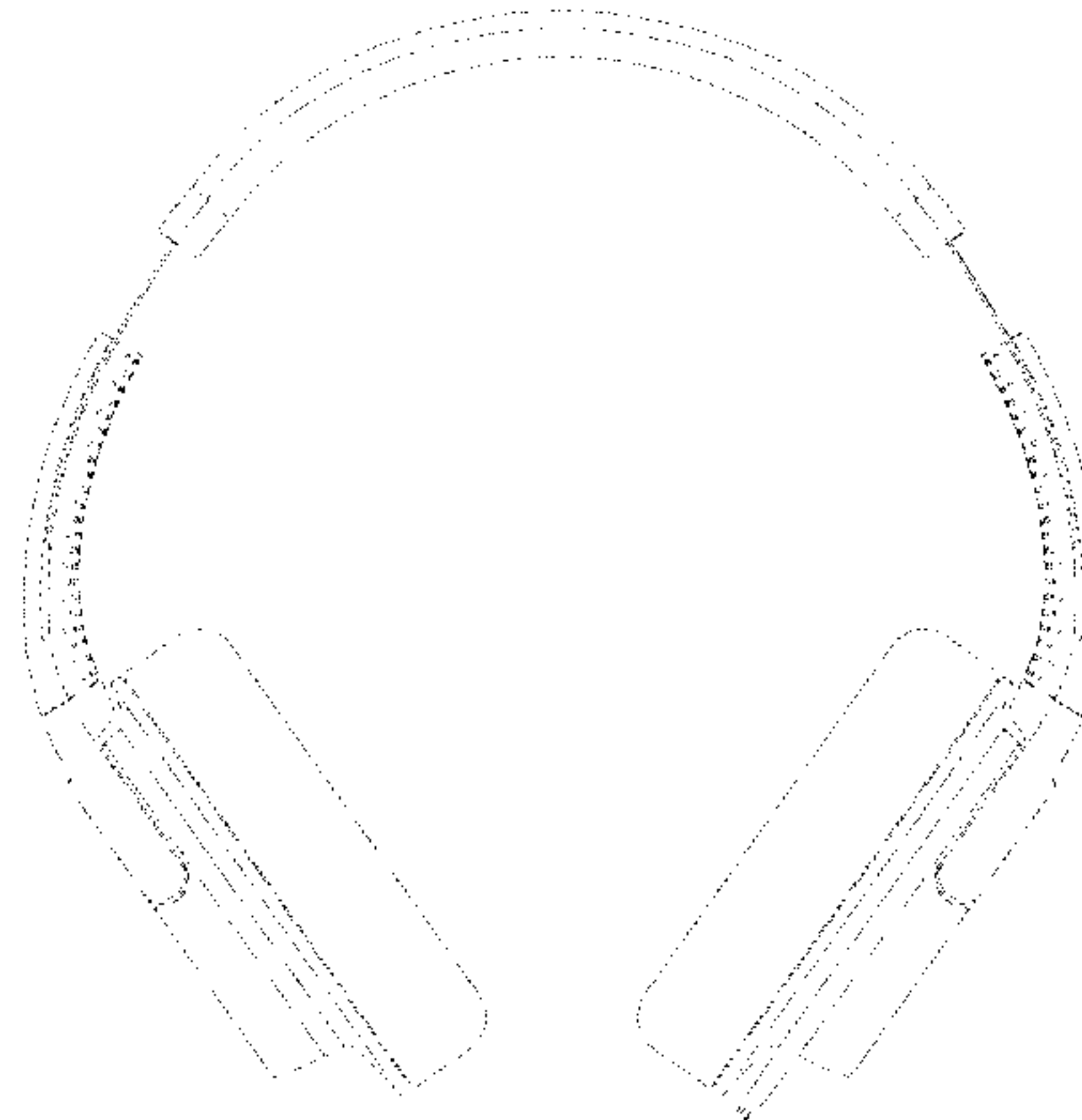
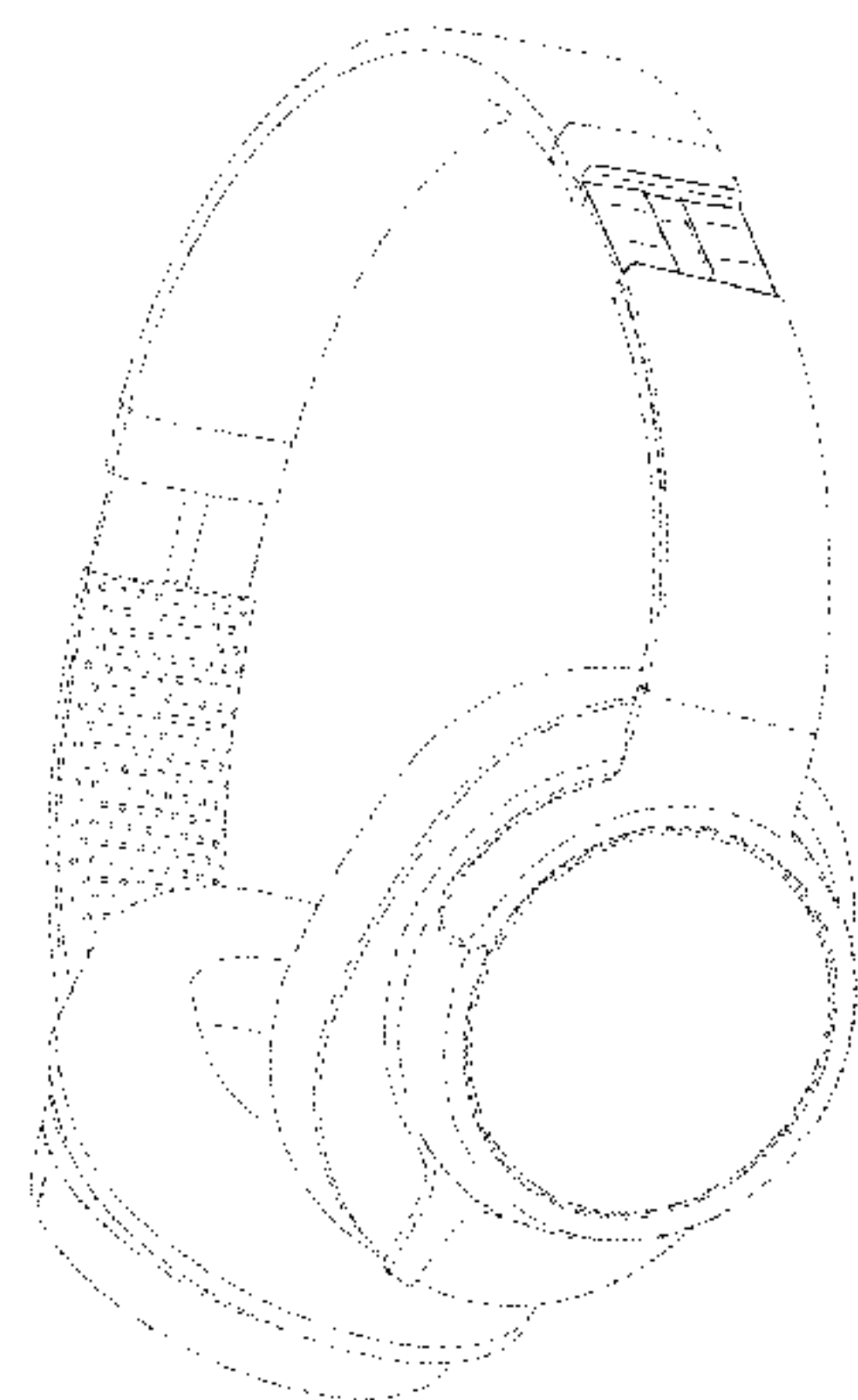
(30) **Foreign Application Priority Data**

Aug. 29, 2013	(JP)	.....	D2013-019941
Aug. 29, 2013	(JP)	.....	D2013-019942
Aug. 29, 2013	(JP)	.....	D2013-019943
Aug. 30, 2013	(CN)	.....	2013 3 0418953
Sep. 3, 2014	(CN)	.....	2014 3 0324792
Dec. 9, 2014	(CN)	.....	2014 3 0511146
Dec. 26, 2014	(JP)	.....	D2014-029472
Dec. 26, 2014	(JP)	.....	D2014-029473
Dec. 26, 2014	(JP)	.....	D2014-029474
Dec. 26, 2014	(JP)	.....	D2014-029475
Dec. 26, 2014	(JP)	.....	D2014-029476

(51) **LOC (11) Cl.** ..... **14-01**

(52) **U.S. Cl.**  
USPC ..... **D14/205**

(58) **Field of Classification Search**  
USPC ..... D14/205, 251, 252, 253, 256; D29/112;  
2/209; 181/129, 130, 135; 381/380, 381,  
381/374; 455/90.3, 575.1, 569.1;



D554,109 S 10/2007 Ledbetter et al.  
D564,098 S 3/2008 Lockenwitz  
D564,495 S 3/2008 Sasaki  
D567,217 S 4/2008 Kamo et al.  
7,412,070 B2\* 8/2008 Kleinschmidt ..... H04R 1/1083  
381/370  
D584,715 S 1/2009 Brennwald  
D587,247 S 2/2009 Densho  
D587,248 S 2/2009 Densho  
D587,249 S 2/2009 Densho  
D587,681 S 3/2009 Yanai  
D591,263 S 4/2009 Shimizu  
D593,995 S 6/2009 Shimizu  
7,551,748 B2 6/2009 Kamo et al.  
D597,084 S 7/2009 Gondo  
D597,683 S \* 8/2009 Baccarini ..... D25/61  
D598,431 S 8/2009 Densho  
D600,674 S 9/2009 Brennwald  
D605,636 S 12/2009 Yang  
D605,769 S 12/2009 Sjursen et al.  
D610,129 S 2/2010 Densho et al.  
D619,561 S 7/2010 Yang  
D625,704 S 10/2010 Cheng  
D625,705 S 10/2010 Ohori et al.  
D631,470 S 1/2011 Yoneyama et al.  
D632,668 S 2/2011 Brunner et al.  
D634,254 S \* 3/2011 Marlow ..... D12/223  
D635,958 S \* 4/2011 Ando ..... D14/205  
D635,960 S 4/2011 Gondo et al.  
D647,877 S 11/2011 Son  
D651,764 S 1/2012 Gresko et al.  
8,098,872 B2 1/2012 Chang  
D657,344 S 4/2012 Brunner et al.  
D657,347 S 4/2012 Chung et al.  
D661,685 S \* 6/2012 Lee ..... D14/205  
D670,274 S 11/2012 Katsumata et al.  
D673,136 S 12/2012 Kelly et al.  
D673,520 S 1/2013 Tan  
D674,767 S 1/2013 Brunner et al.  
D675,595 S 2/2013 Cho et al.  
D677,243 S 3/2013 Kitayama et al.  
D678,860 S 3/2013 Hagelin  
8,391,533 B2 3/2013 Sim et al.  
D679,682 S 4/2013 Shimizu et al.  
D680,102 S 4/2013 Chen  
D682,257 S 5/2013 Zheng et al.  
D683,329 S 5/2013 Hagelin  
D684,141 S 6/2013 Takamoto  
D689,843 S 9/2013 Lee  
D691,109 S 10/2013 Hardi et al.  
D695,261 S 12/2013 Katsumata  
D699,702 S 2/2014 Chen  
D702,668 S 4/2014 Narita et al.  
D704,161 S 5/2014 Morimoto et al.  
D704,674 S 5/2014 Shimizu  
D704,675 S 5/2014 Choteau  
D705,757 S 5/2014 Yashiro  
8,732,864 B2\* 5/2014 Fountain ..... A61F 11/14  
2/209  
8,737,668 B1\* 5/2014 Blair ..... H04R 1/1066  
381/378  
D706,241 S 6/2014 Szymanski et al.  
D707,657 S 6/2014 Burt et al.  
D710,334 S 8/2014 Yang  
D711,858 S 8/2014 Yang  
D713,384 S 9/2014 McNamara  
D715,775 S 10/2014 Rueskov  
D718,649 S 12/2014 Harel-Klein et al.  
D719,476 S 12/2014 Harel-Klein et al.  
D719,550 S 12/2014 Yang  
D720,721 S \* 1/2015 Lu ..... D14/205  
D724,560 S \* 3/2015 Galler ..... D14/205  
8,979,060 B1\* 3/2015 Olsson ..... F16M 11/041  
248/309.1  
D729,776 S \* 5/2015 Miyake ..... D14/205  
D734,297 S 7/2015 Sasaki et al.  
D736,175 S \* 8/2015 Levine ..... D14/205  
D736,185 S 8/2015 Yaegashi et al.  
D738,851 S 9/2015 Sawada

D741,550 S 10/2015 Edwardsson et al.  
D747,702 S 1/2016 Breines  
D750,041 S \* 2/2016 Birger ..... D14/205  
D757,521 S \* 5/2016 Rosner ..... D8/354  
D758,837 S \* 6/2016 Symons ..... D8/383  
D761,761 S \* 7/2016 Ando ..... D14/205  
D765,055 S 8/2016 Hsieh et al.  
D767,531 S 9/2016 Szymanski  
D768,110 S 10/2016 Suzuki  
D789,327 S \* 6/2017 Miyake ..... D14/205  
D800,691 S \* 10/2017 Ando ..... D14/205  
D810,718 S \* 2/2018 Galler ..... D14/205  
D815,060 S \* 4/2018 Ando ..... D14/205  
D816,061 S \* 4/2018 Ando ..... D14/205  
D817,303 S \* 5/2018 Tragatschnig ..... D14/205  
2007/0189570 A1 8/2007 Matsuo et al.

FOREIGN PATENT DOCUMENTS

CN 302578398 S 9/2013  
JP D1404725 S 1/2011  
JP D1437170 S 4/2012  
JP D1452156 S 10/2012

OTHER PUBLICATIONS

Website, Amazon.com, "Panasonic RP-HC500 Noise-Canceling Headphones," <http://www.amazon.com/Panasonic-RP-HC500-Noise-Canceling-Discontinued-Manufacturer/dp/B000OKH6ZI>, product originally available Oct. 2, 2001.  
Website, Oh My Gadget!, "Phillips introduced a 'city' headphones SHL5705 and SHL5505," <http://omgdgt.com/2014/02/philips-introduced-a-city-headphones-shl5705-and-shl5505/>, posted Feb. 11, 2014.

\* cited by examiner

*Primary Examiner* — Paula Allen Greene  
(74) *Attorney, Agent, or Firm* — Michael Best and Friedrich LLP

(57) CLAIM

The ornamental design for a headphone, as shown and described.

DESCRIPTION

FIG. 1 is a front, top, right perspective view of a first embodiment of a headphone showing our new design;  
FIG. 2 is a front, bottom, right perspective view thereof;  
FIG. 3 is a front elevational view thereof;  
FIG. 4 is a rear elevational view thereof;  
FIG. 5 is a left side elevational view thereof;  
FIG. 6 is a top plan view thereof; and  
FIG. 7 is a partially enlarged front, top, right perspective view thereof along the lines 7-7 and 7'-7' of FIG. 1;  
FIG. 8 is a front, top, right perspective view of a second embodiment of a headphone showing our new design;  
FIG. 9 is a front, bottom, right perspective view thereof;  
FIG. 10 is a front elevational view thereof;  
FIG. 11 is a rear elevational view thereof;  
FIG. 12 is a right side elevational view thereof;  
FIG. 13 is a top plan view thereof; and  
FIG. 14 is a partially enlarged front, top, right perspective view thereof along the lines 14-14 and 14'-14' of FIG. 8;  
FIG. 15 is a front, top, right perspective view of a third embodiment of a headphone showing our new design;  
FIG. 16 is a front, bottom, right perspective view thereof;  
FIG. 17 is a front elevational view thereof;



FIG. 18 is a rear elevational view thereof;  
FIG. 19 is a right side elevational view thereof;  
FIG. 20 is a top plan view thereof; and  
FIG. 21 is a partially enlarged front, top, right perspective view thereof along the lines 21-21 and 21'-21' of FIG. 17;  
FIG. 22 is a front, top, right perspective view of a fourth embodiment of a headphone showing our new design;  
FIG. 23 is a front, bottom, right perspective view thereof;  
FIG. 24 is a front elevational view thereof;  
FIG. 25 is a rear elevational view thereof;  
FIG. 26 is a right side elevational view thereof;  
FIG. 27 is a top plan view thereof; and  
FIG. 28 is a partially enlarged front, top, right perspective view thereof along the lines 28-28 and 28'-28' of FIG. 24;  
FIG. 29 is a front, top, right perspective view of a fifth embodiment of a headphone showing our new design;  
FIG. 30 is a front, bottom, right perspective view thereof;  
FIG. 31 is a front elevational view thereof;  
FIG. 32 is a rear elevational view thereof;  
FIG. 33 is a right side elevational view thereof;  
FIG. 34 is a top plan view thereof; and,  
FIG. 35 is a partially enlarged front, top, right perspective view thereof along the lines 35-35 and 35'-35' of FIG. 31;  
Broken lines illustrate unclaimed portions of the earphone or headphone and form no part of the claimed design. Dot-dash broken lines define the boundaries of, but are not included in, the claimed design.

**1 Claim, 35 Drawing Sheets**

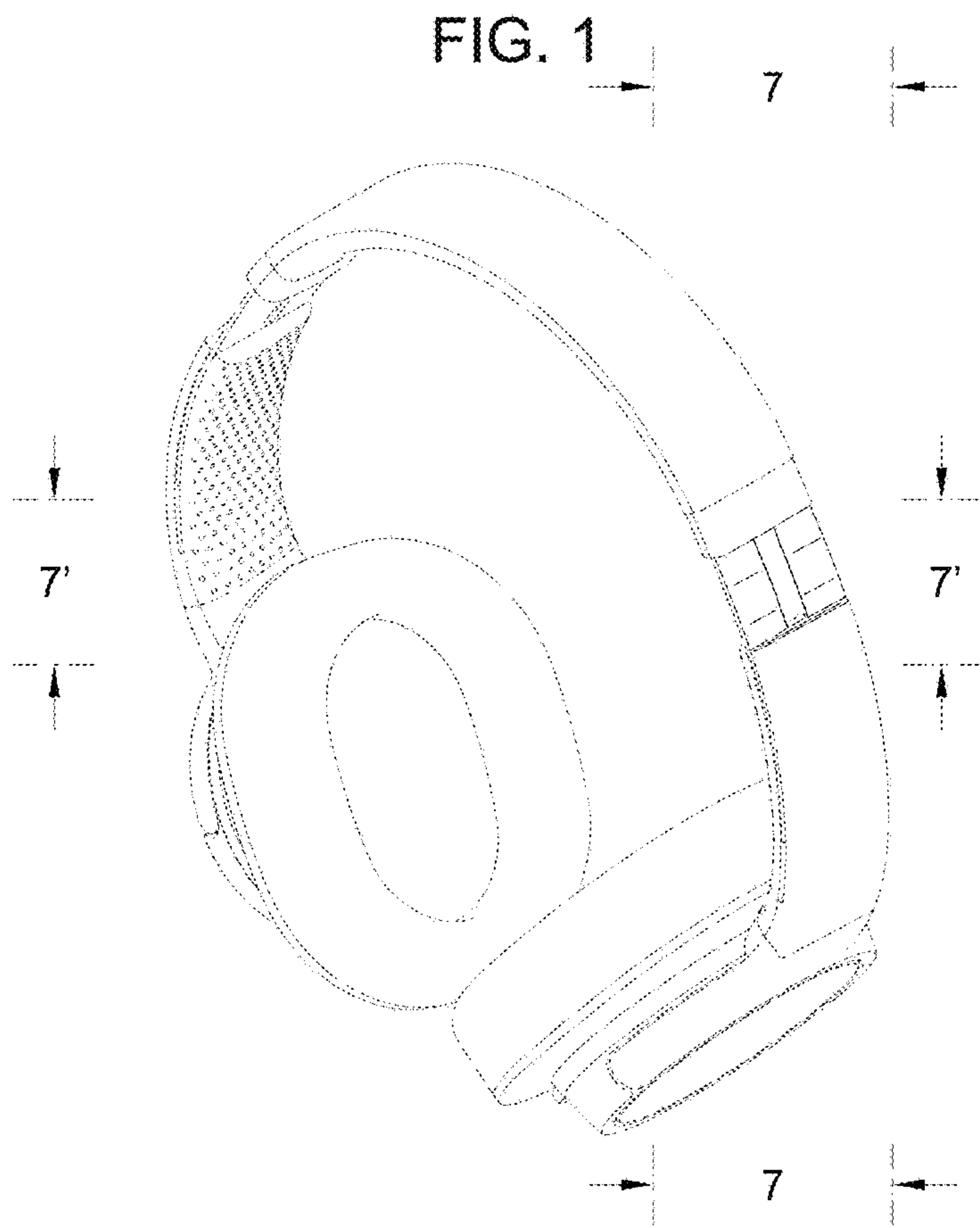


FIG. 2

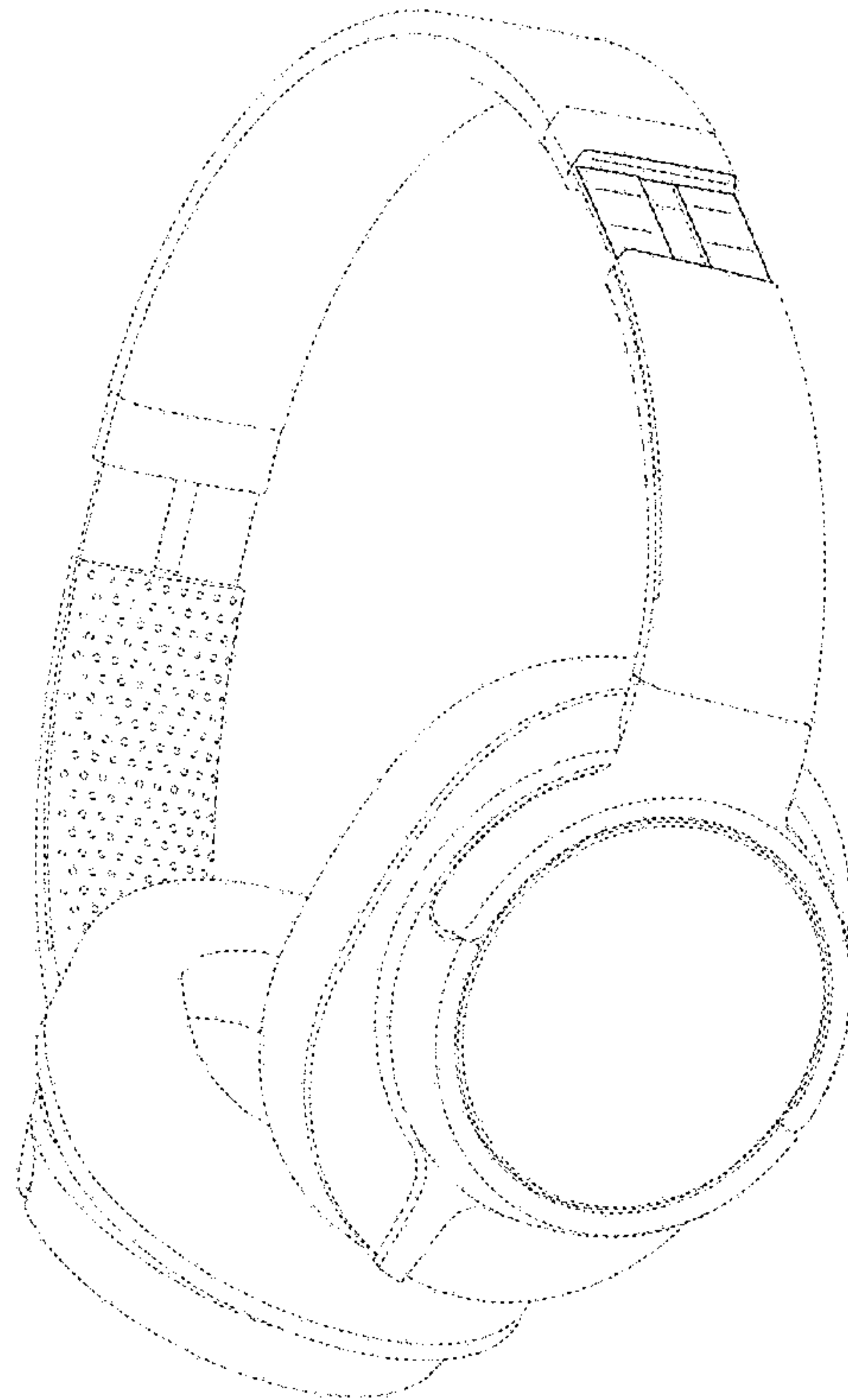


FIG. 3

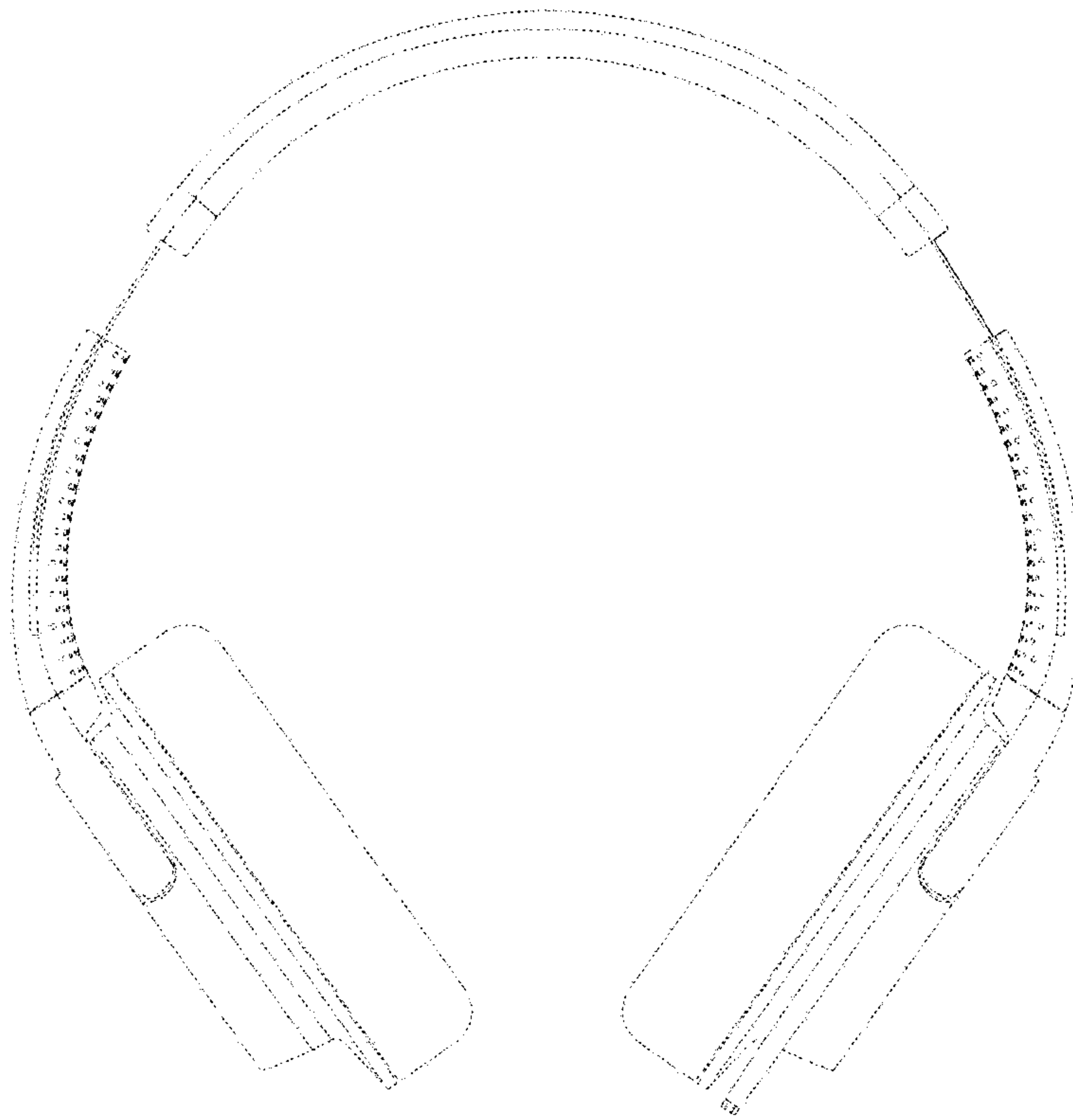


FIG. 4

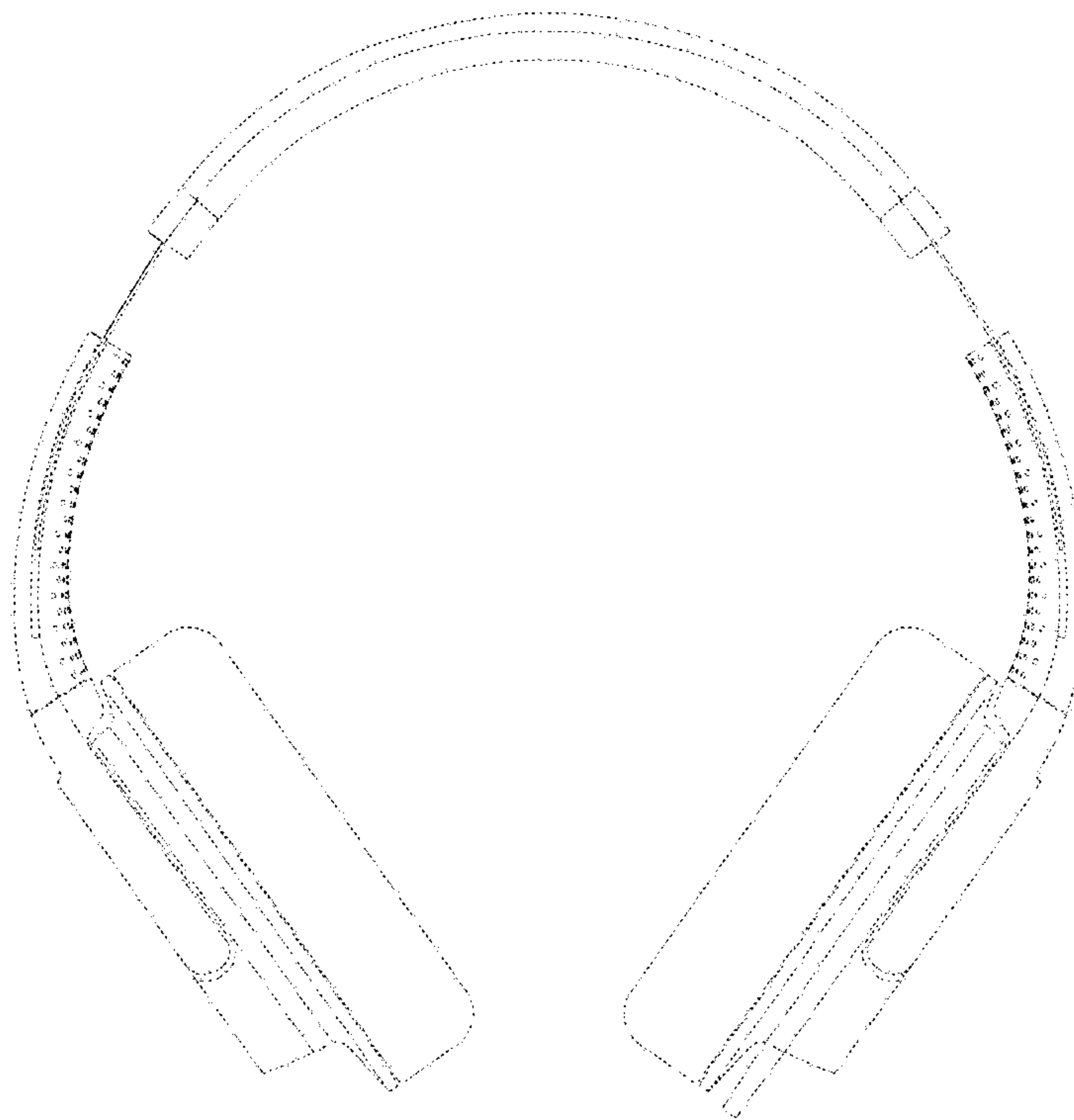


FIG. 5

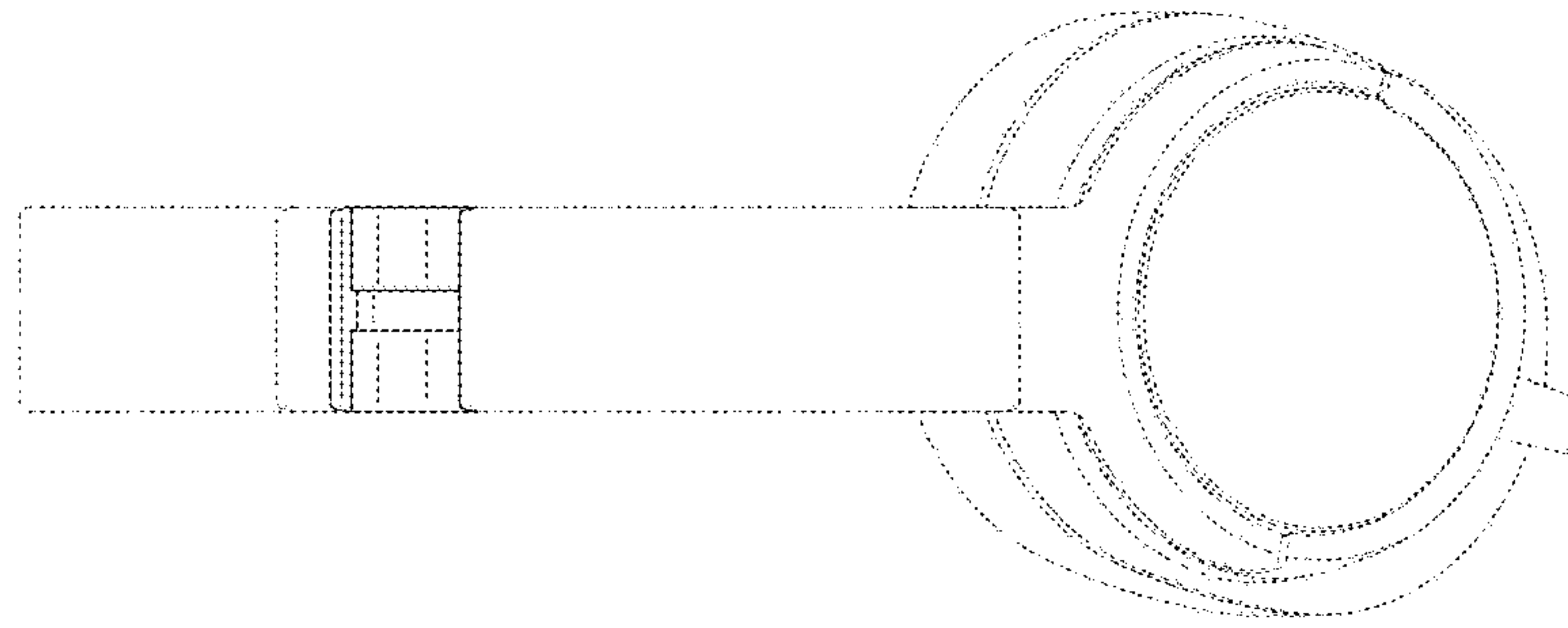




FIG. 6

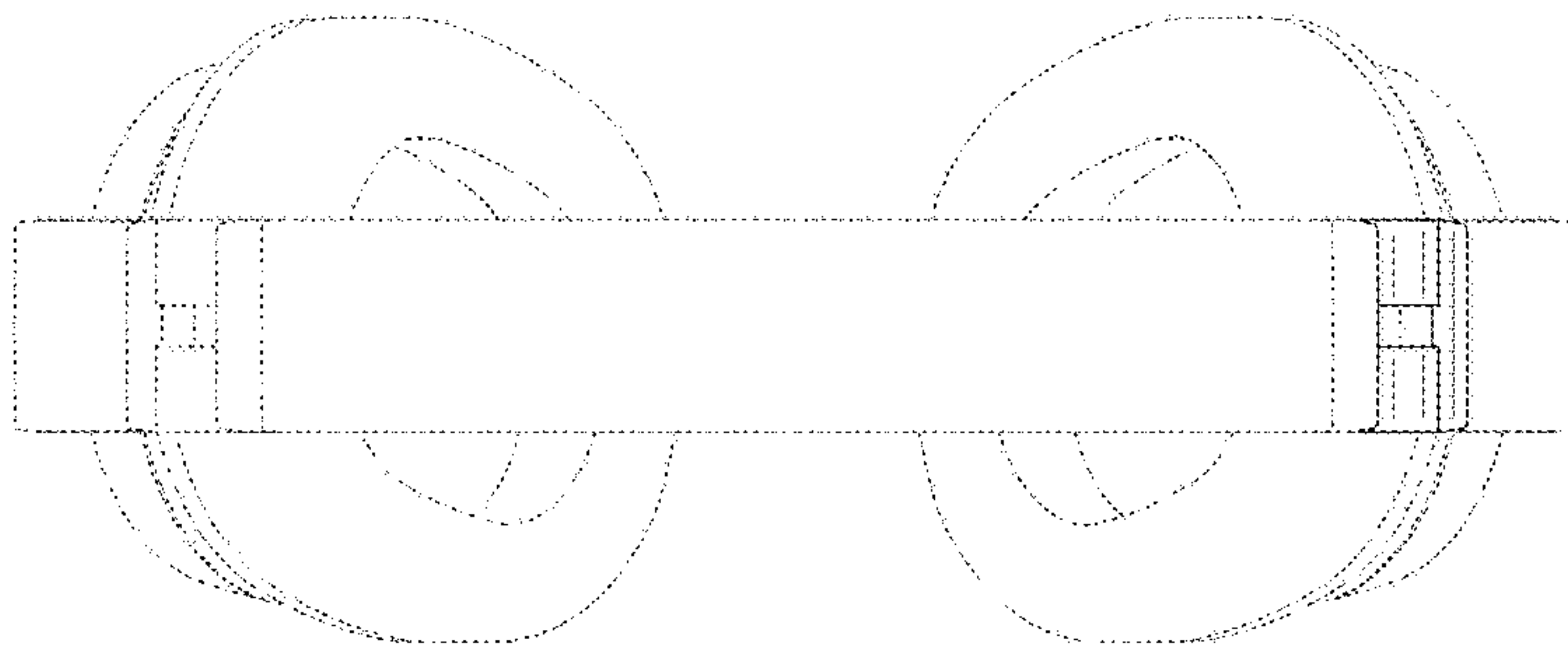


FIG. 7

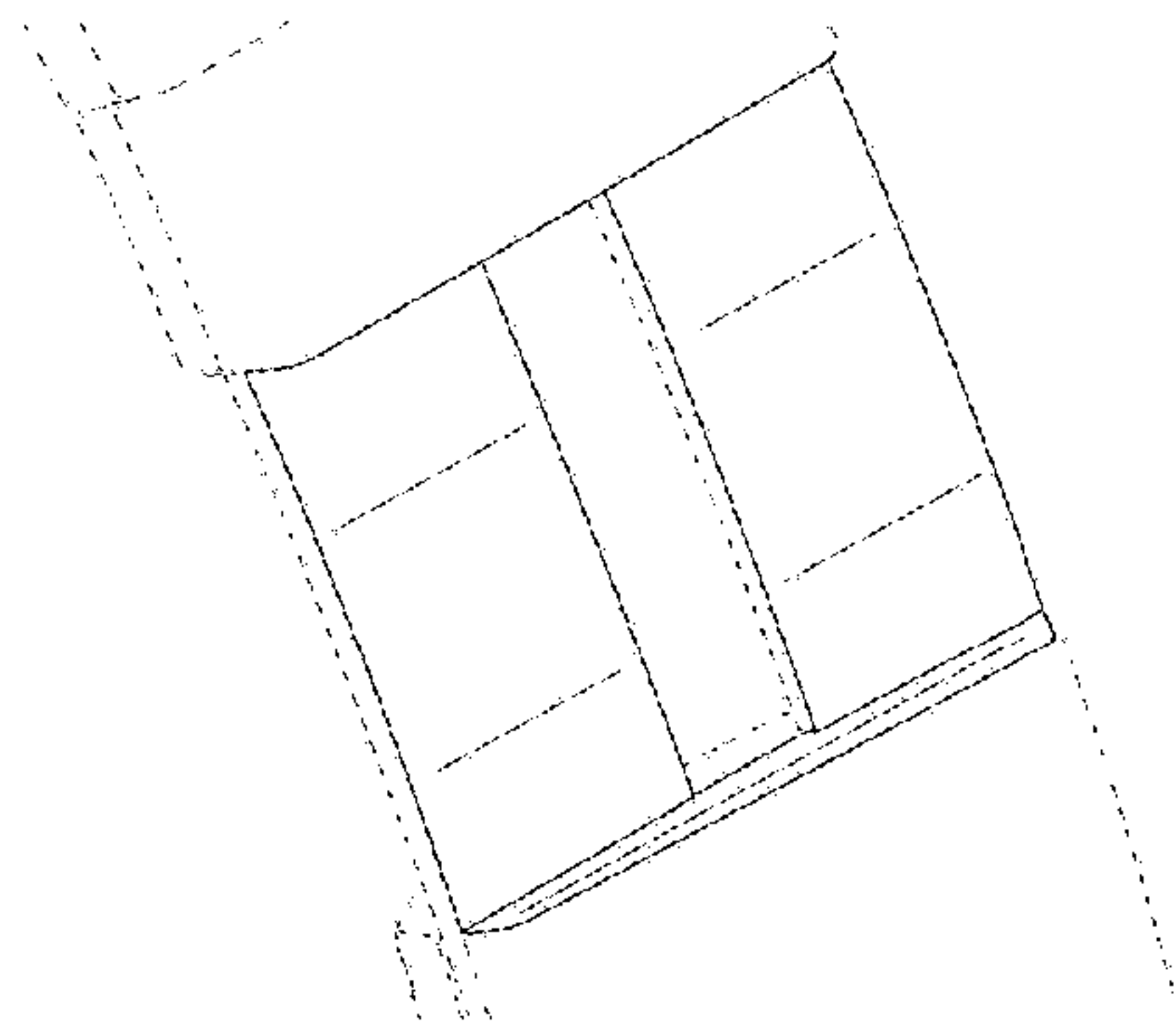


FIG. 8

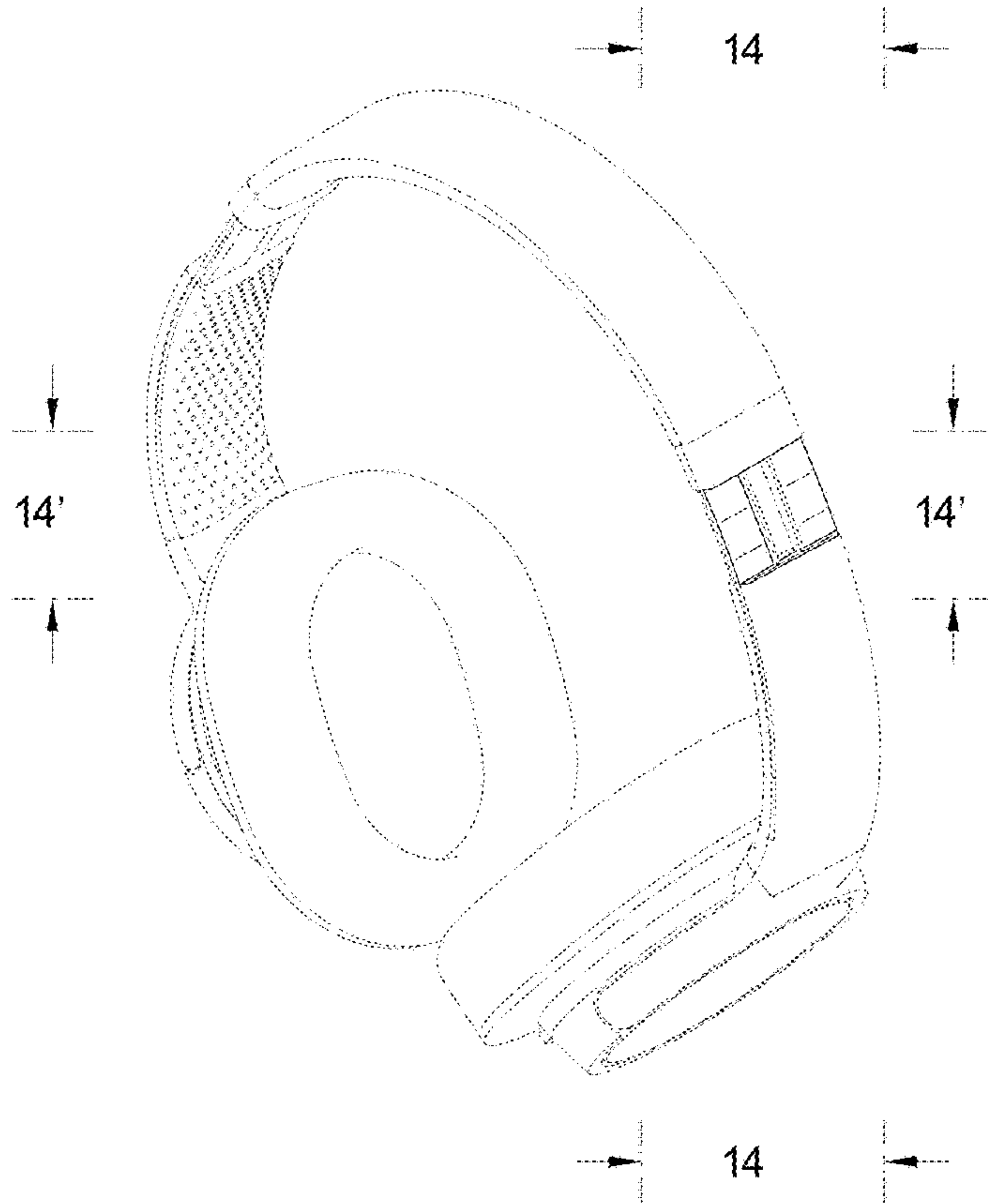


FIG. 9

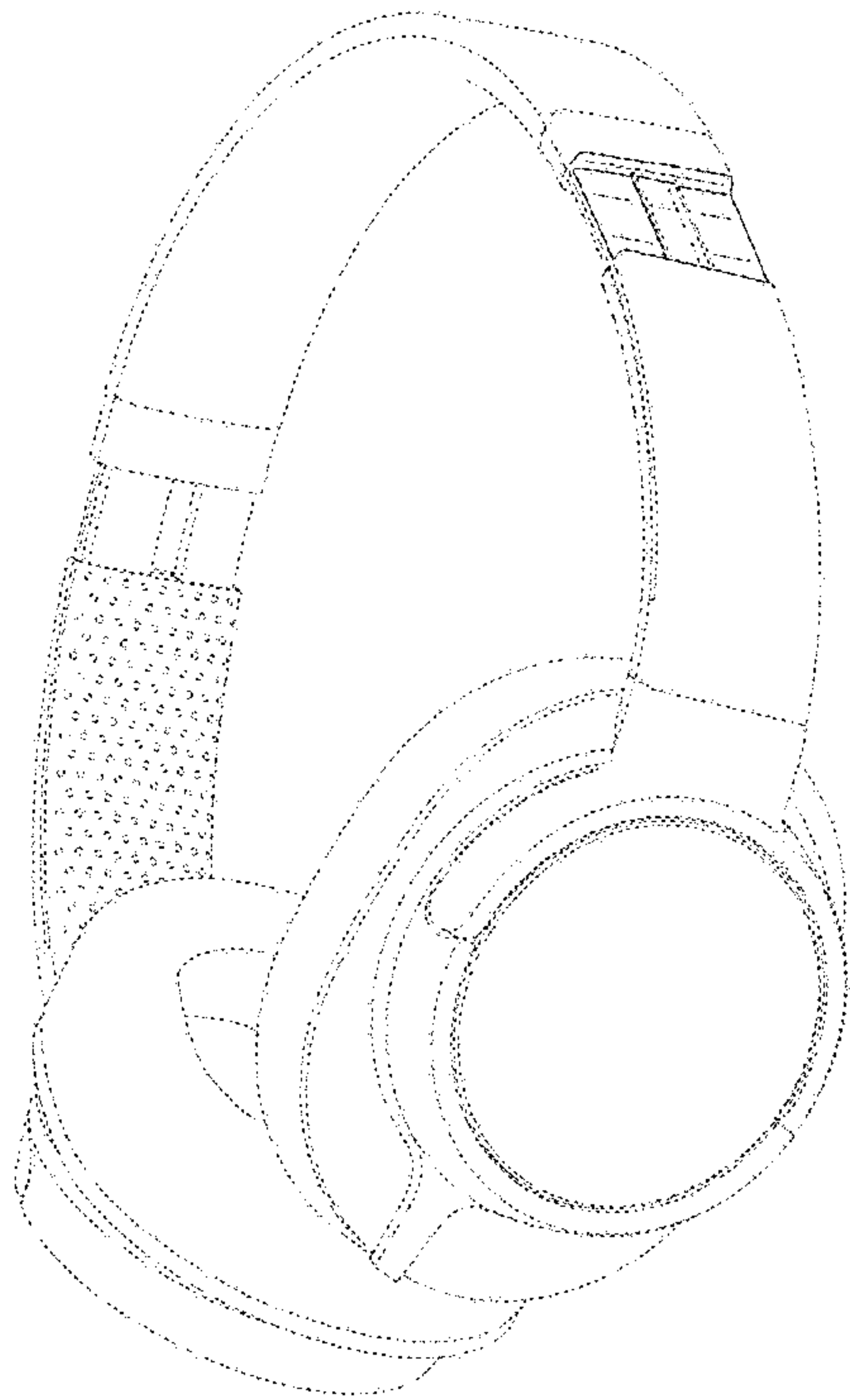


FIG. 10

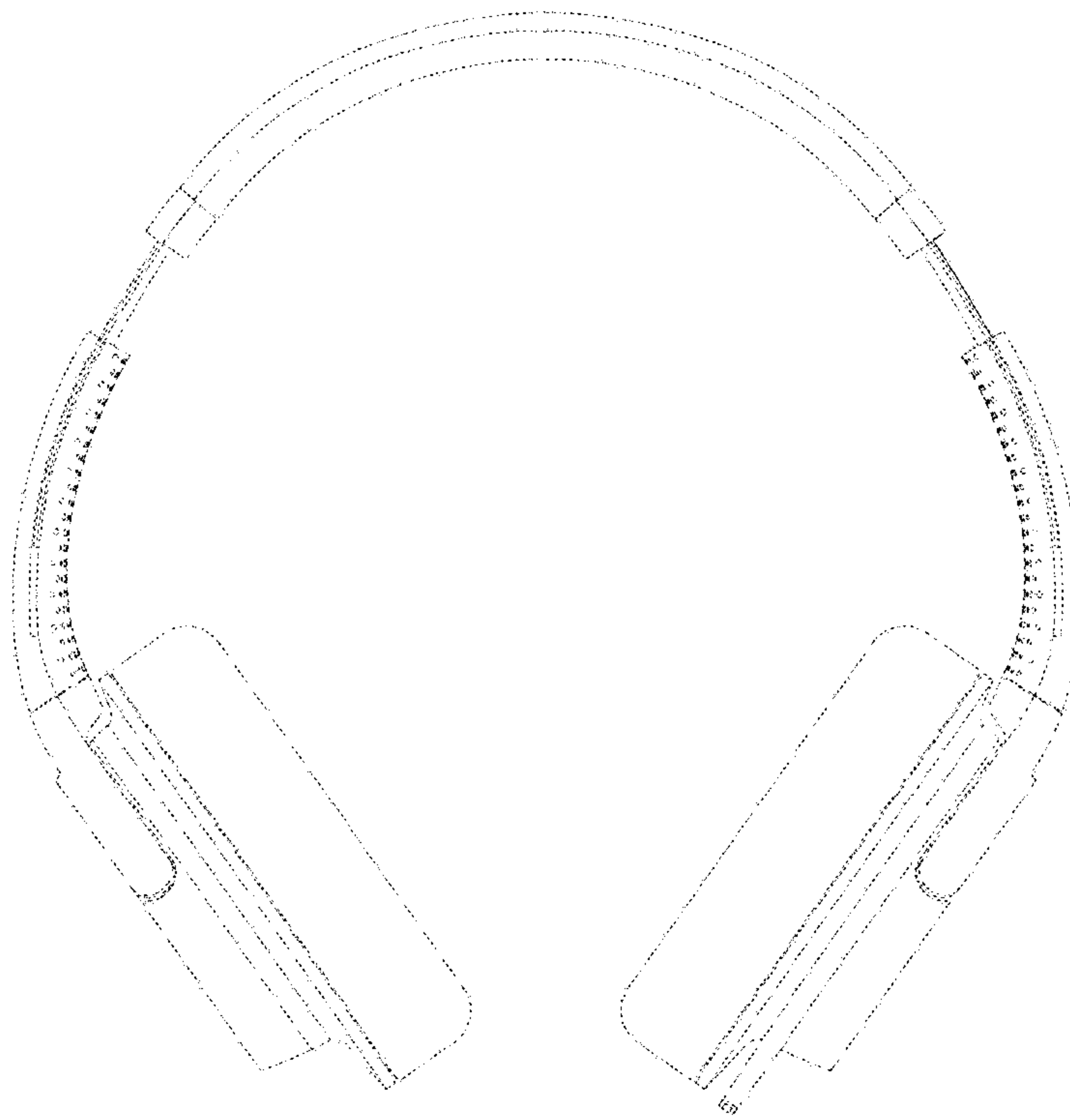




FIG. 11

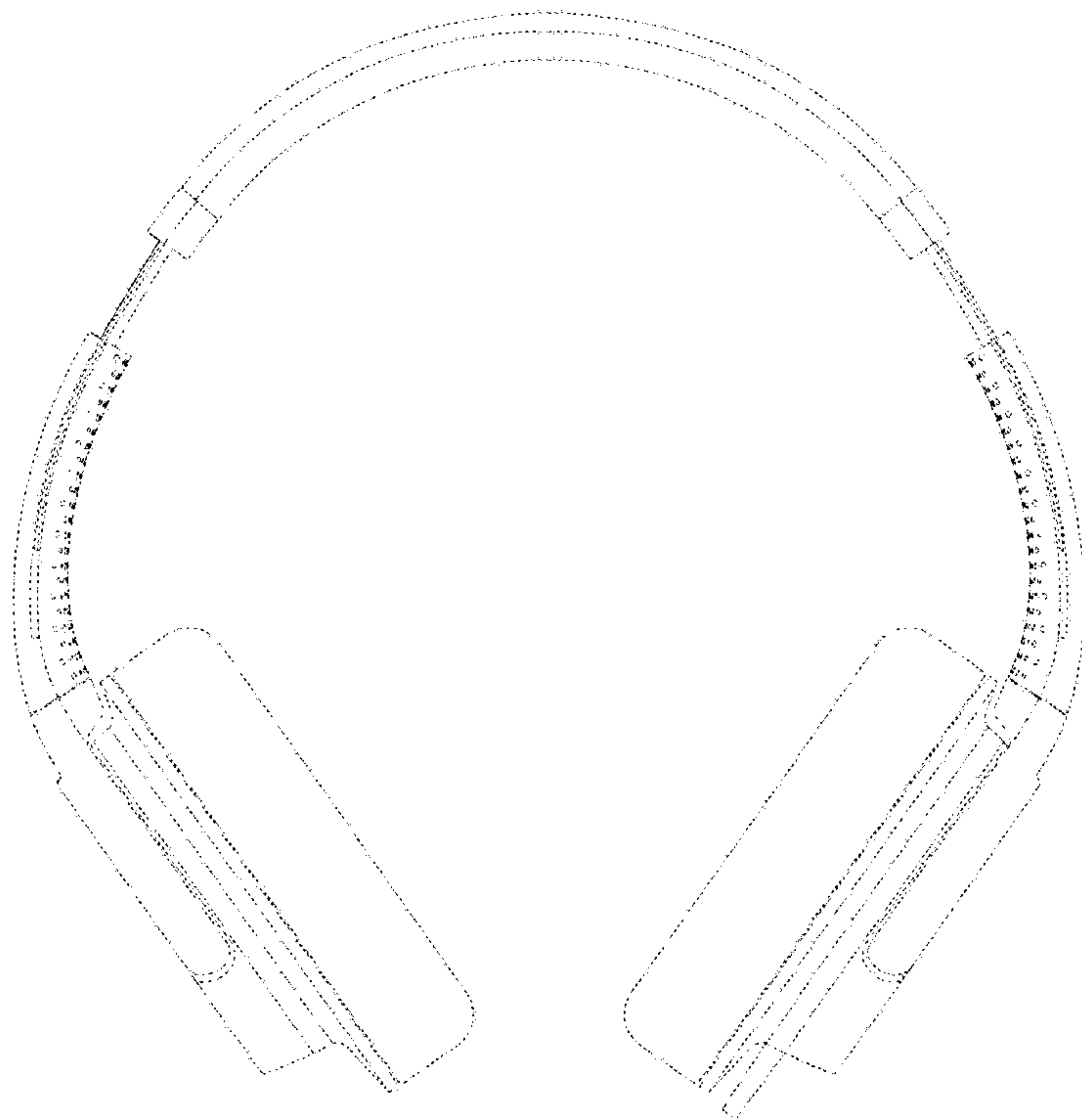


FIG. 12

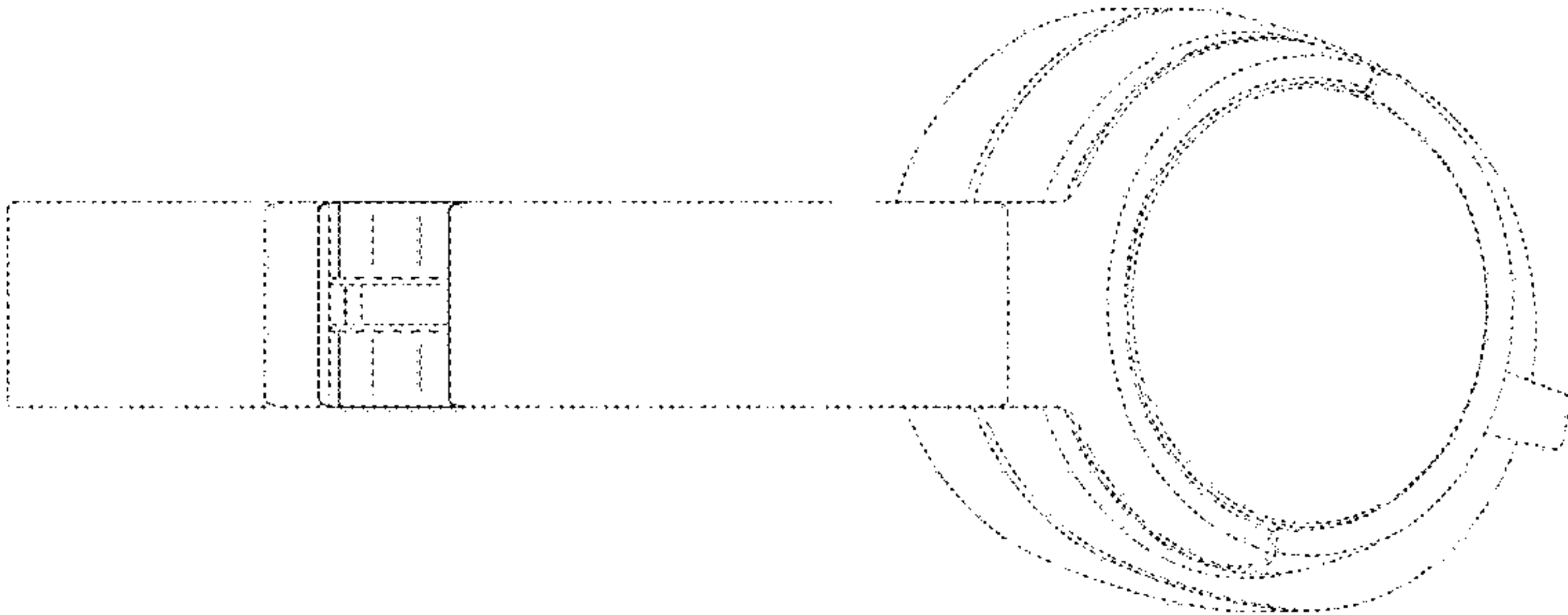


FIG. 13

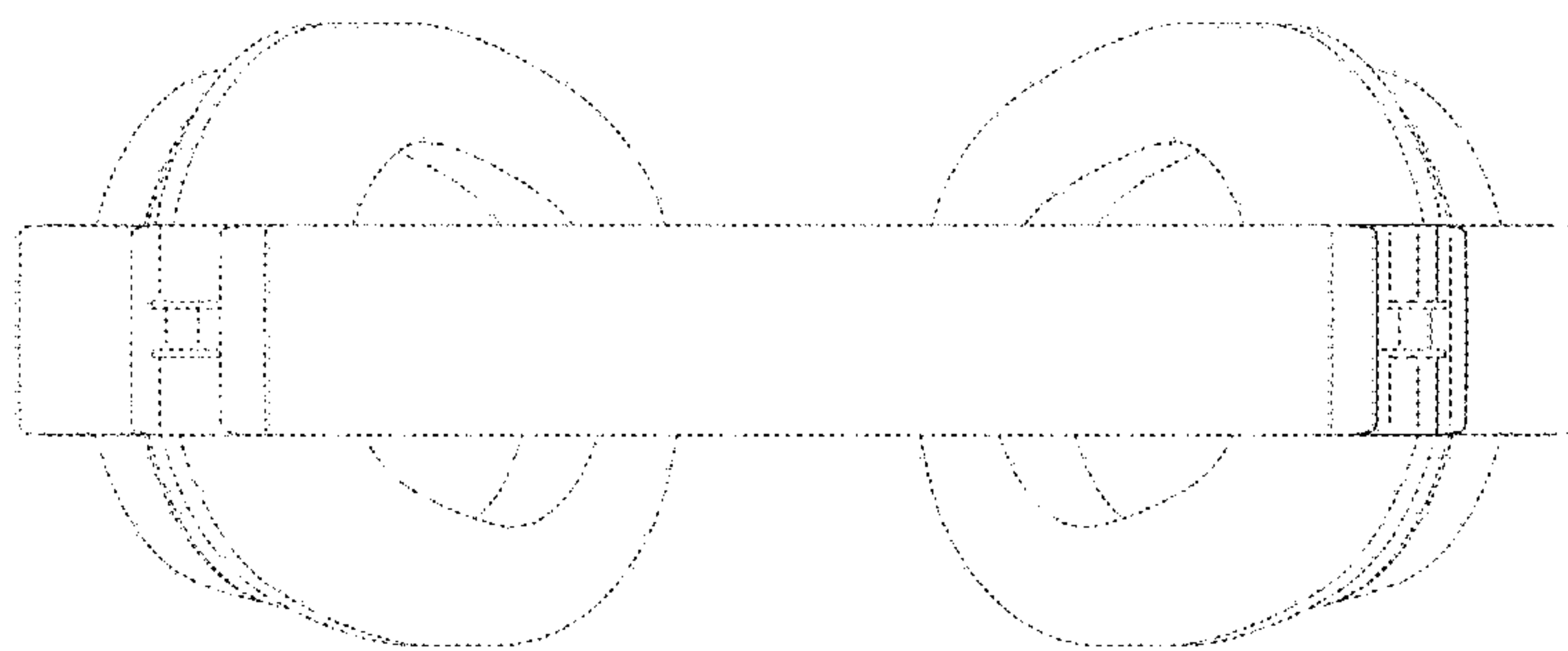


FIG. 14

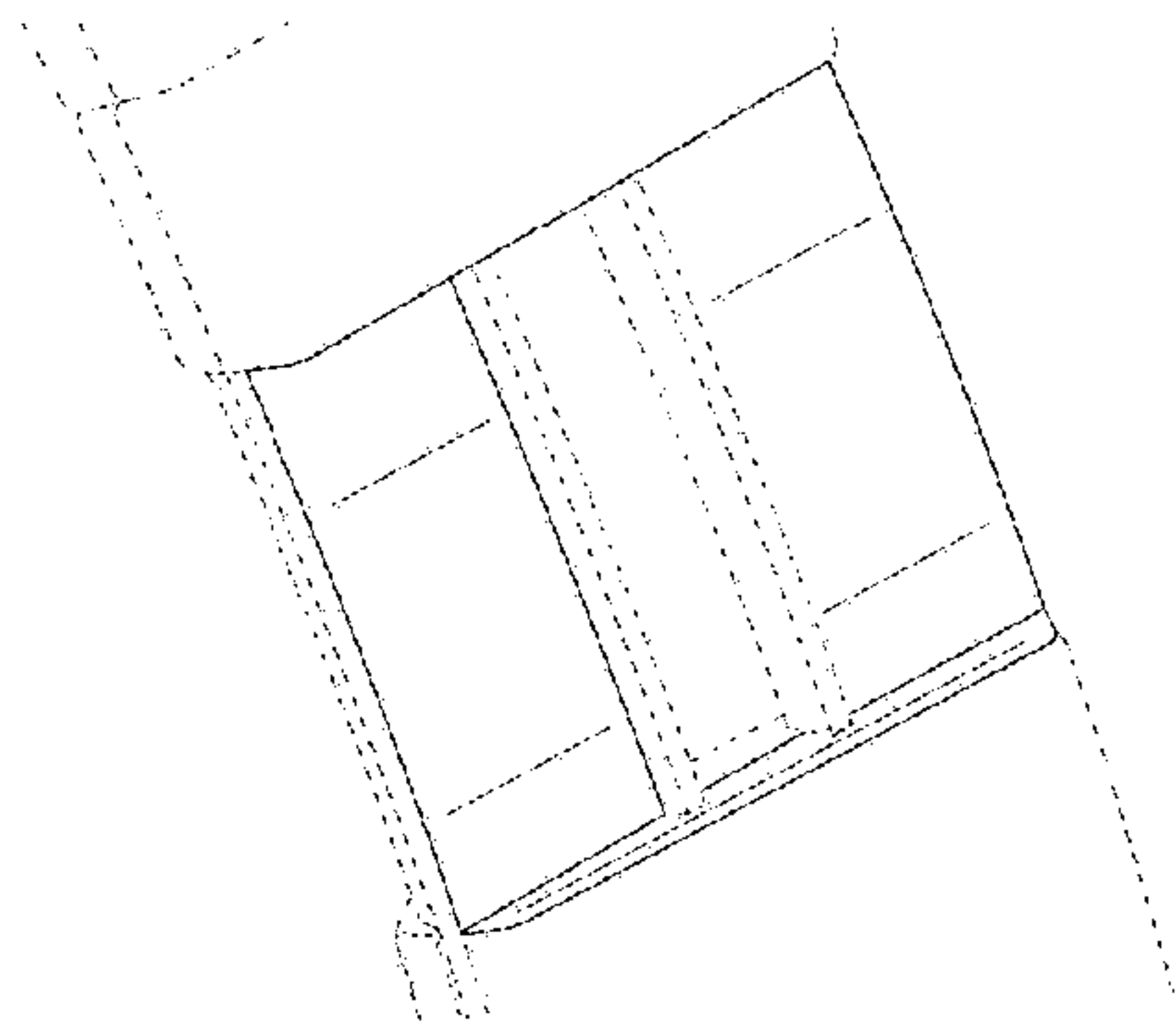


FIG. 15

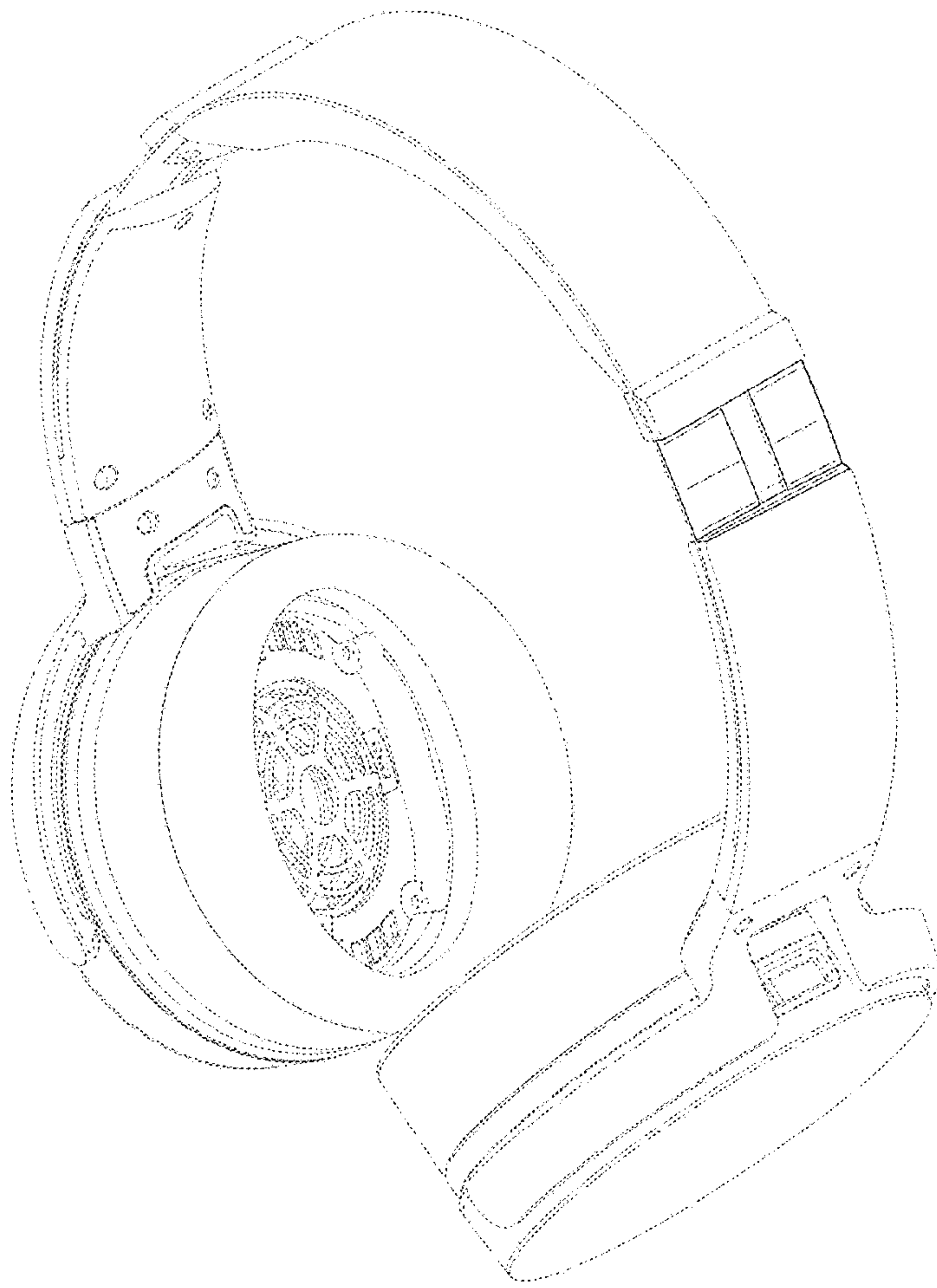




FIG. 16

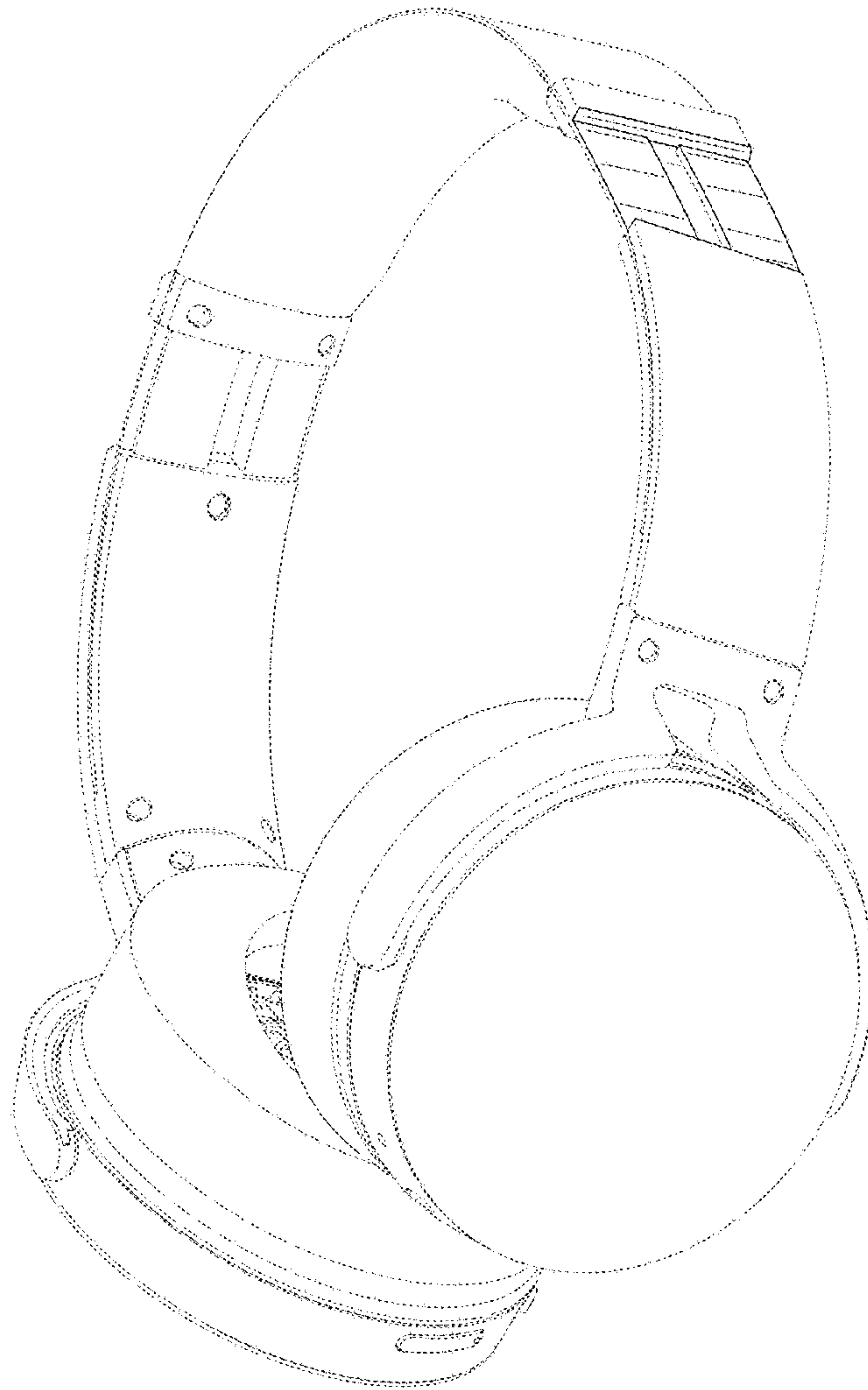


FIG. 17

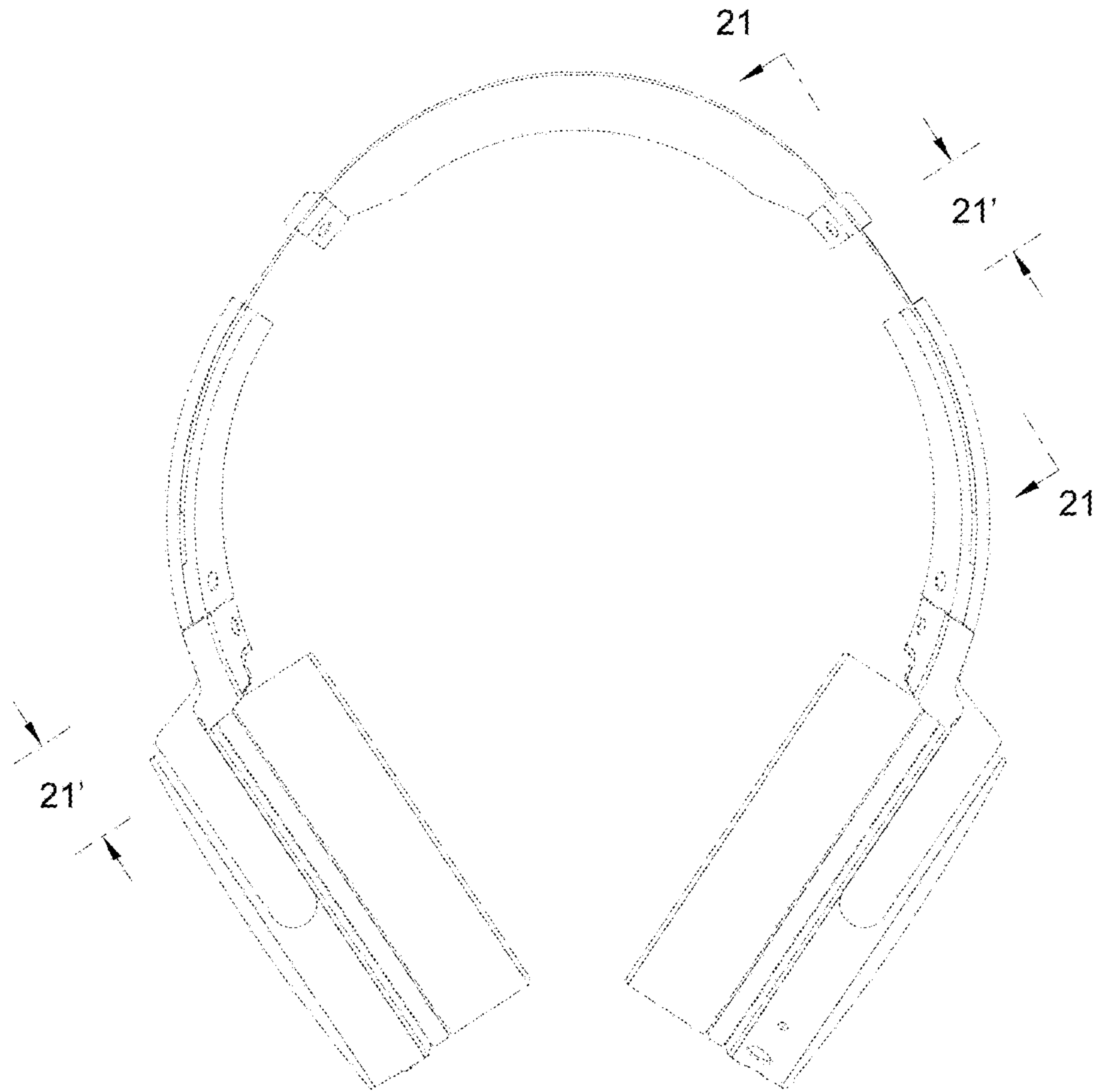
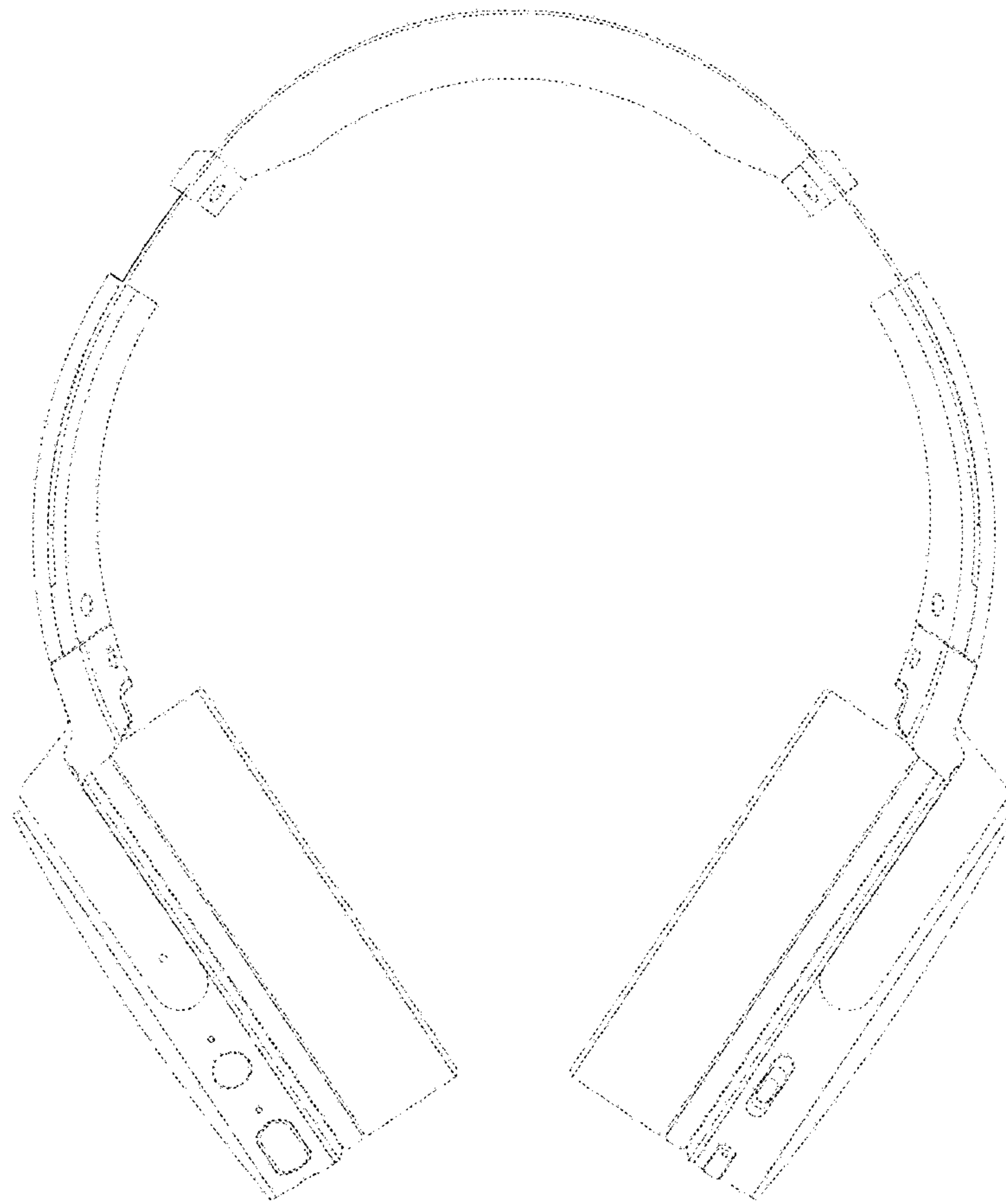


FIG. 18



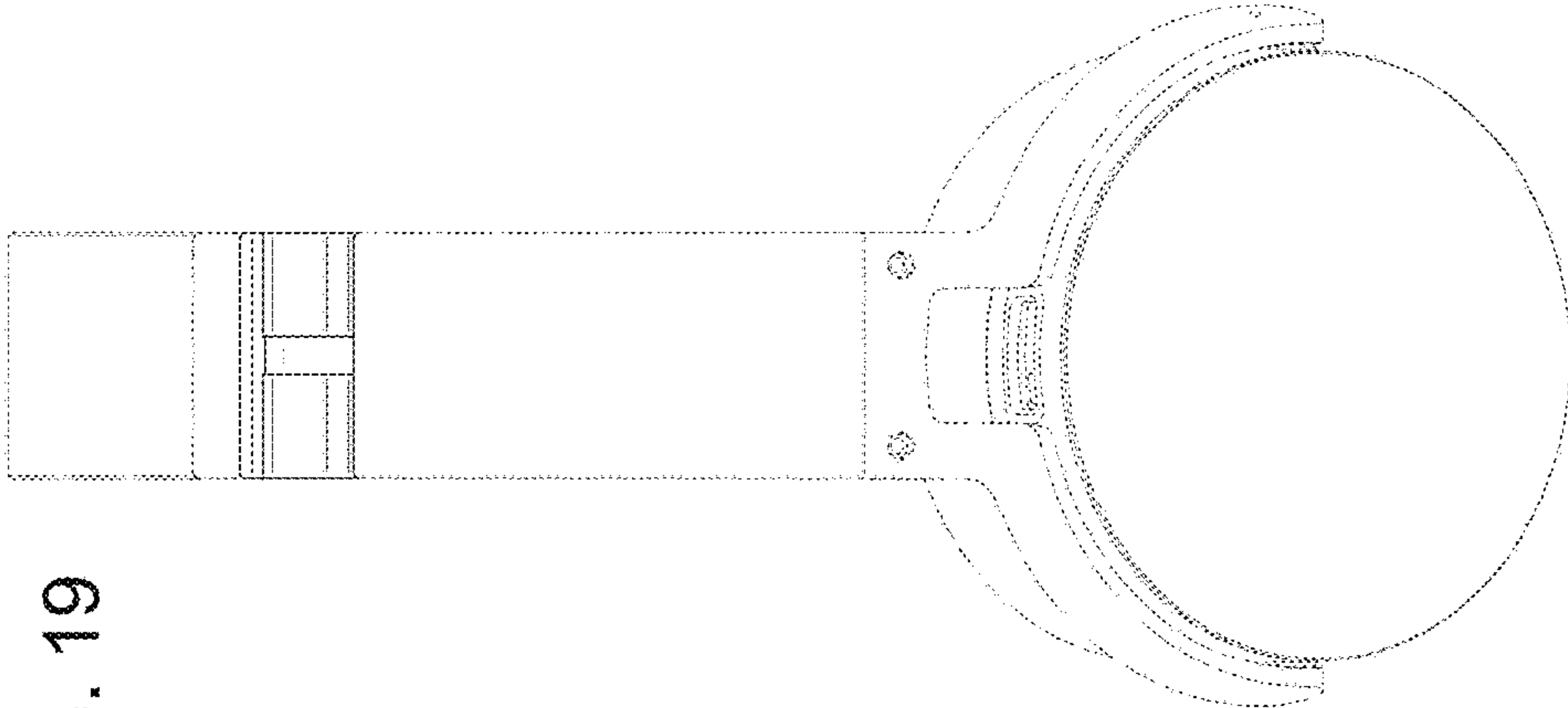


FIG. 19

FIG. 20

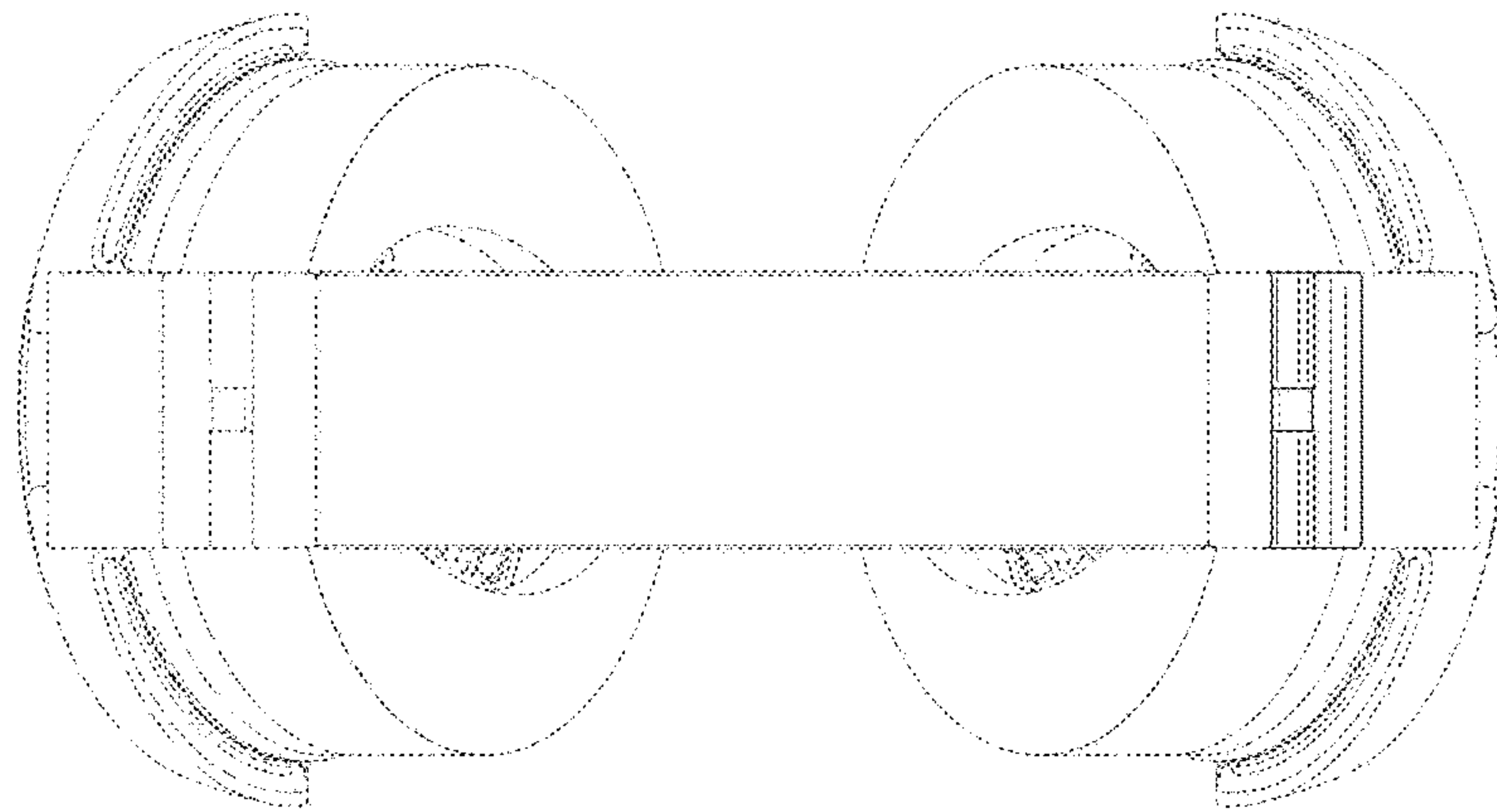




FIG. 21

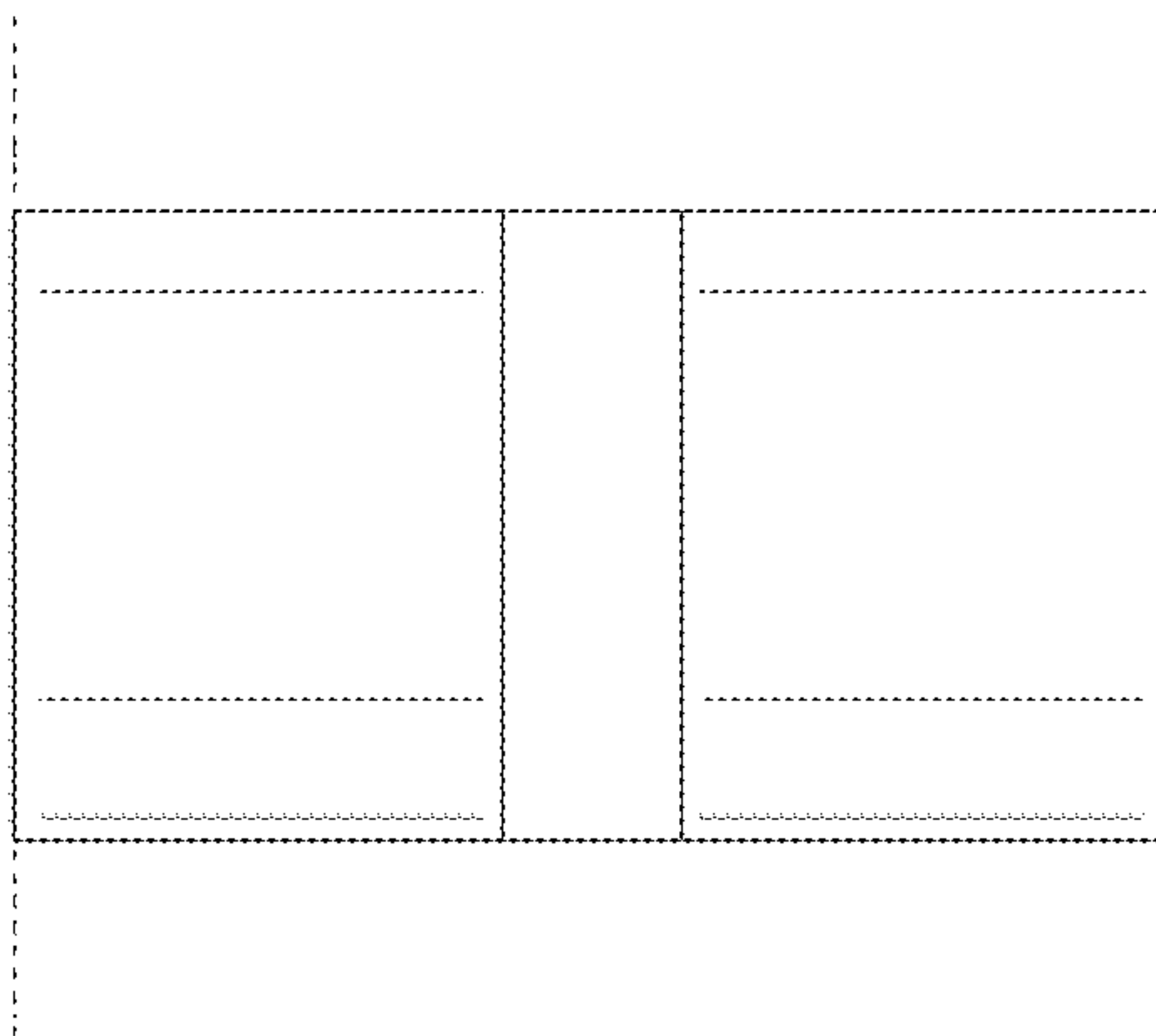


FIG. 22

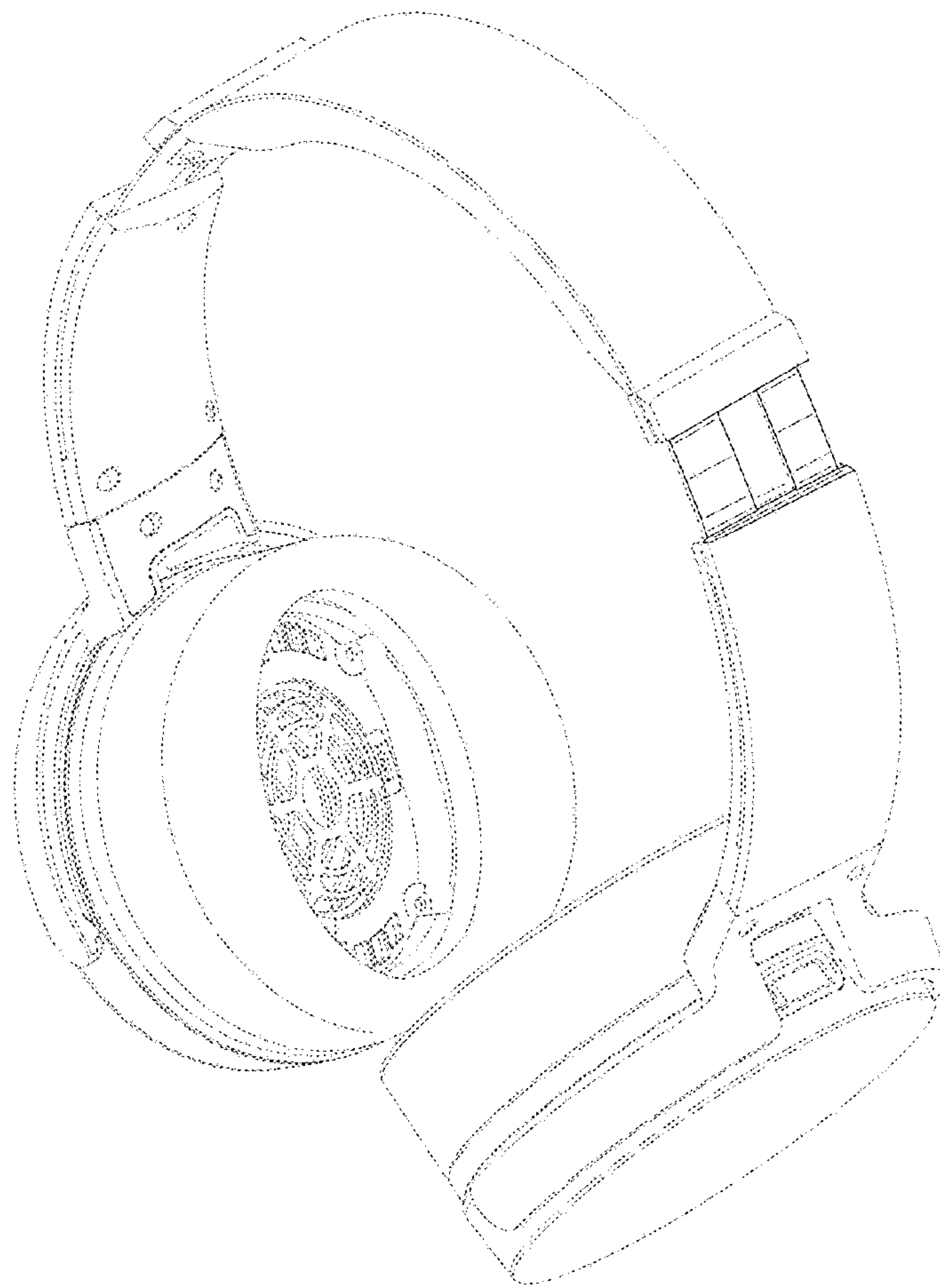


FIG. 23

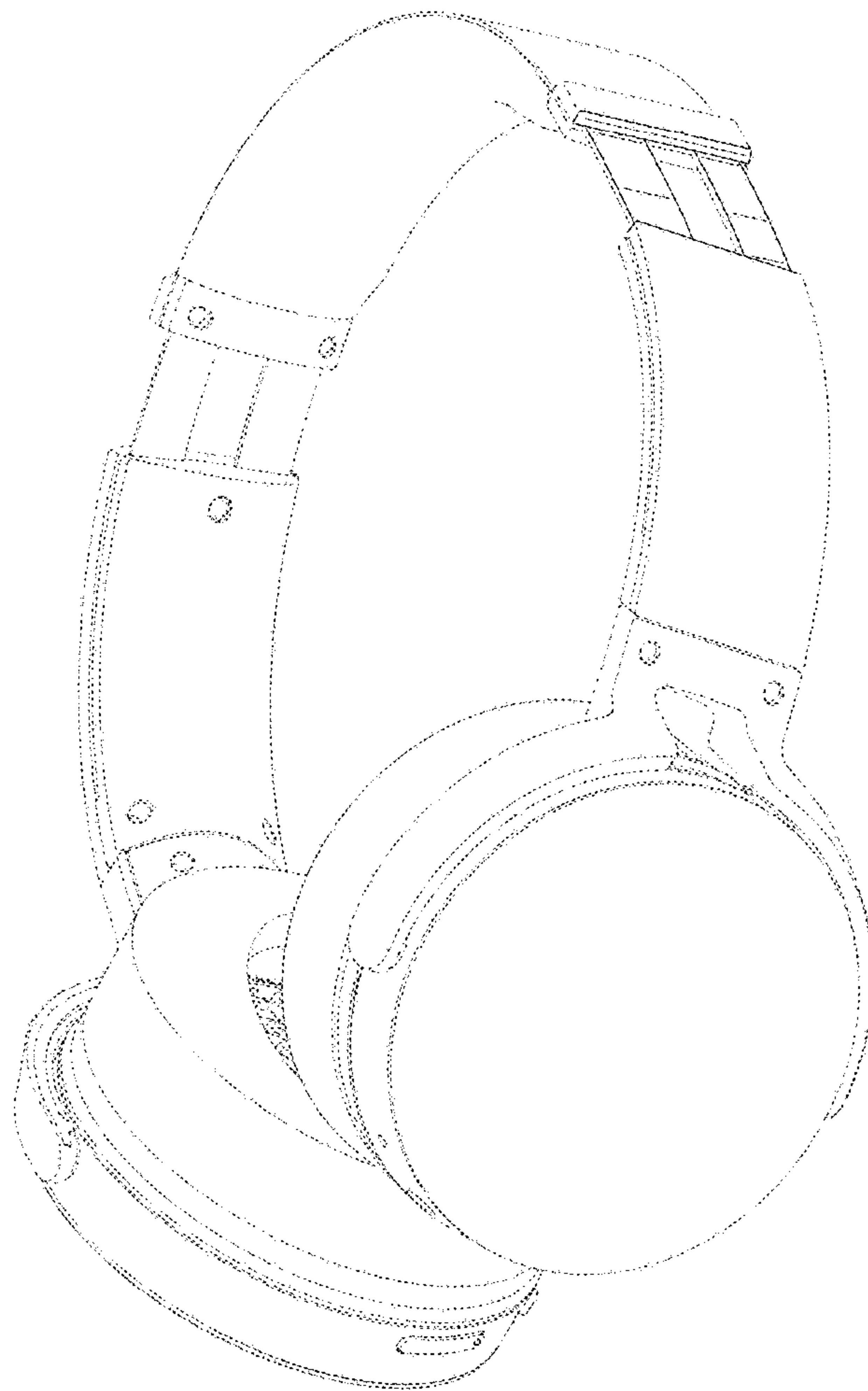


FIG. 24

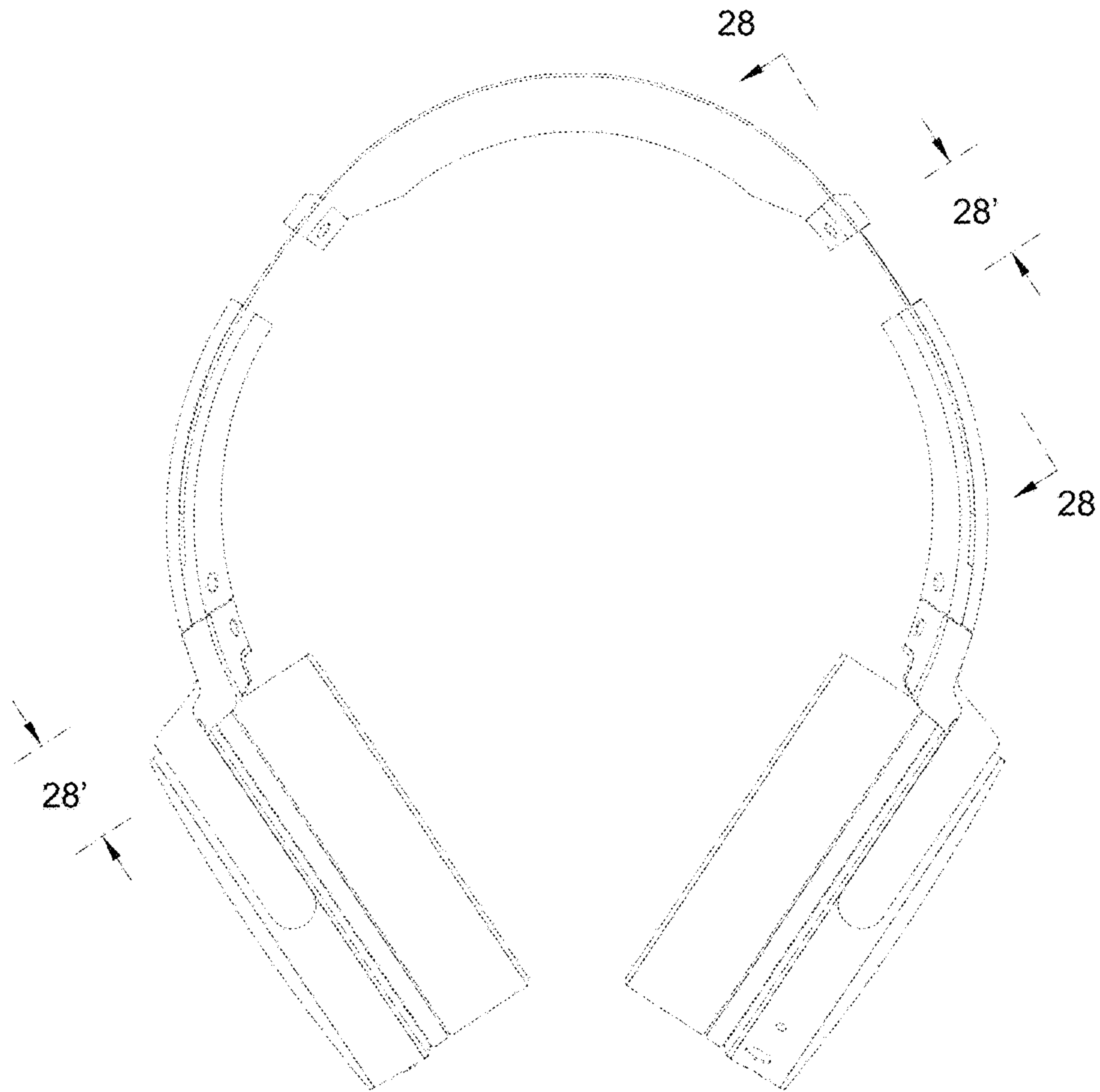
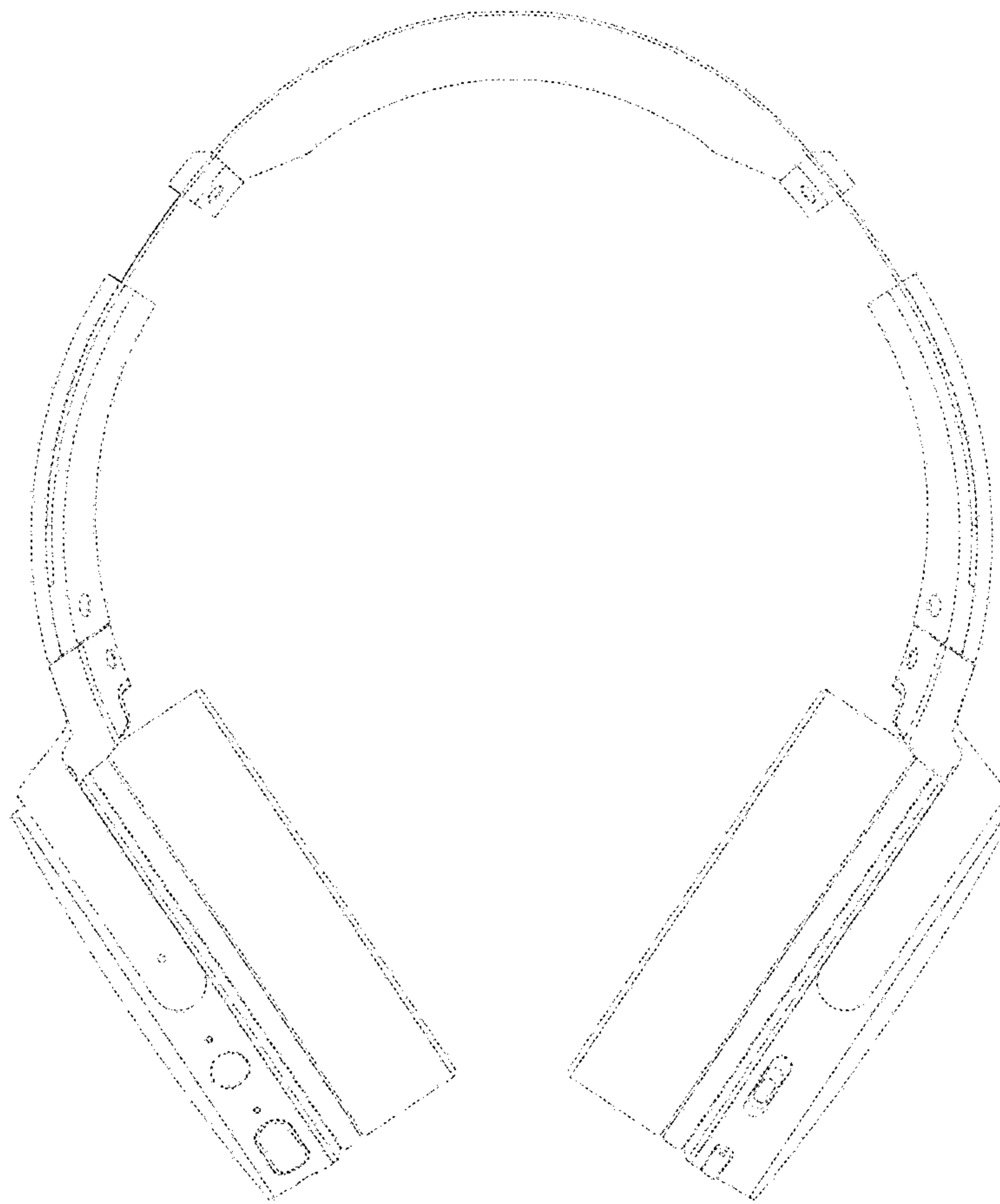


FIG. 25





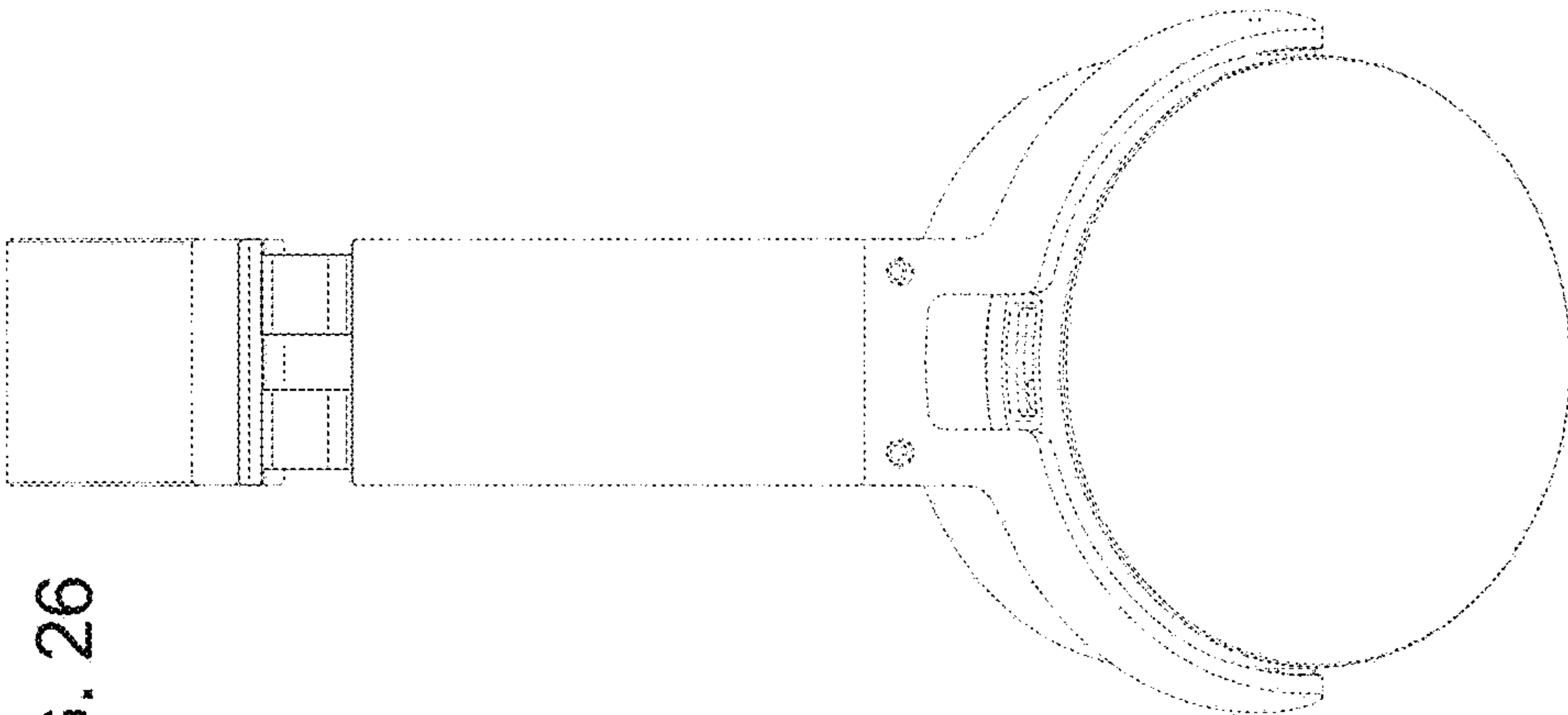


FIG. 26

FIG. 27

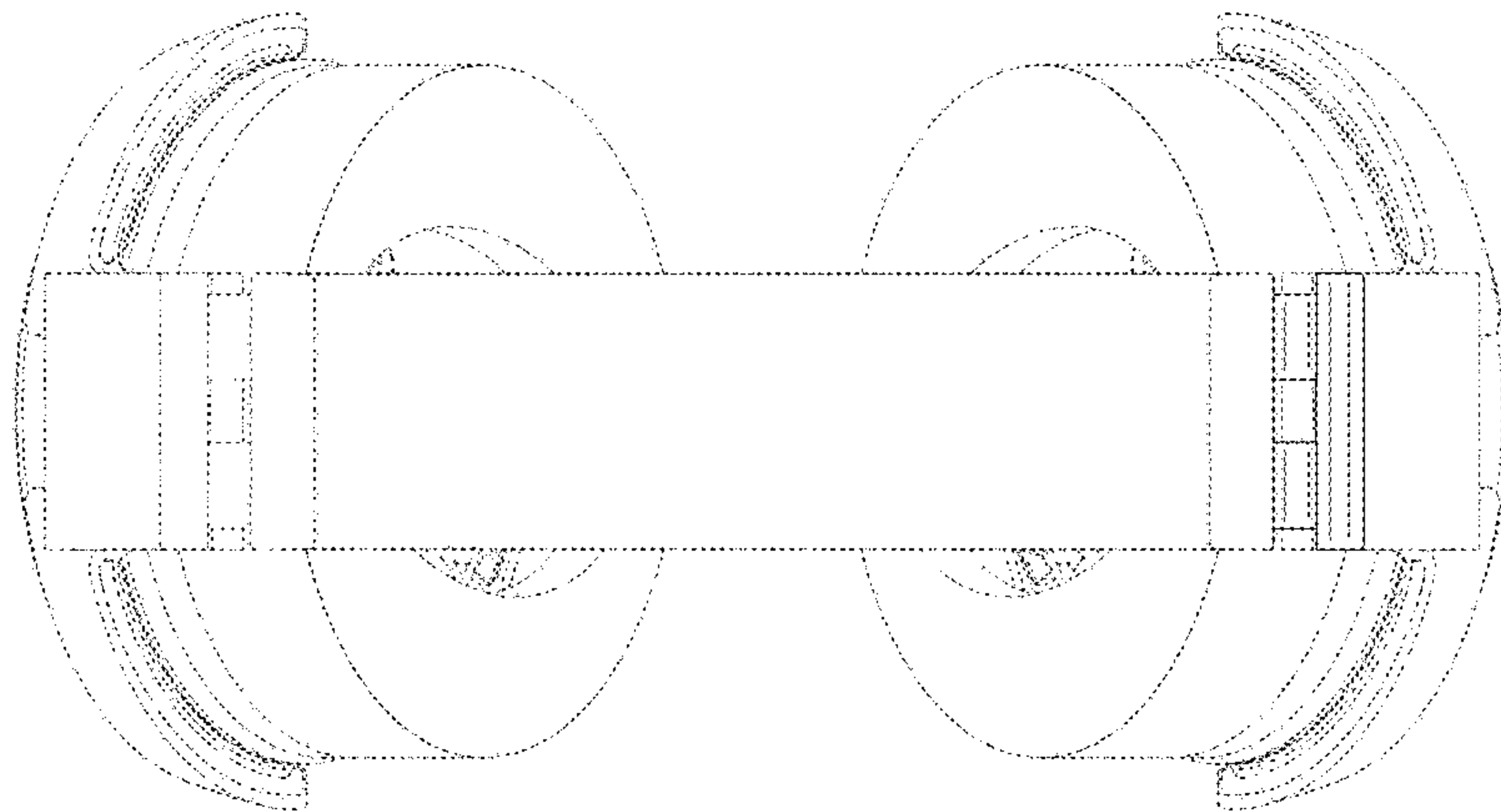


FIG. 28

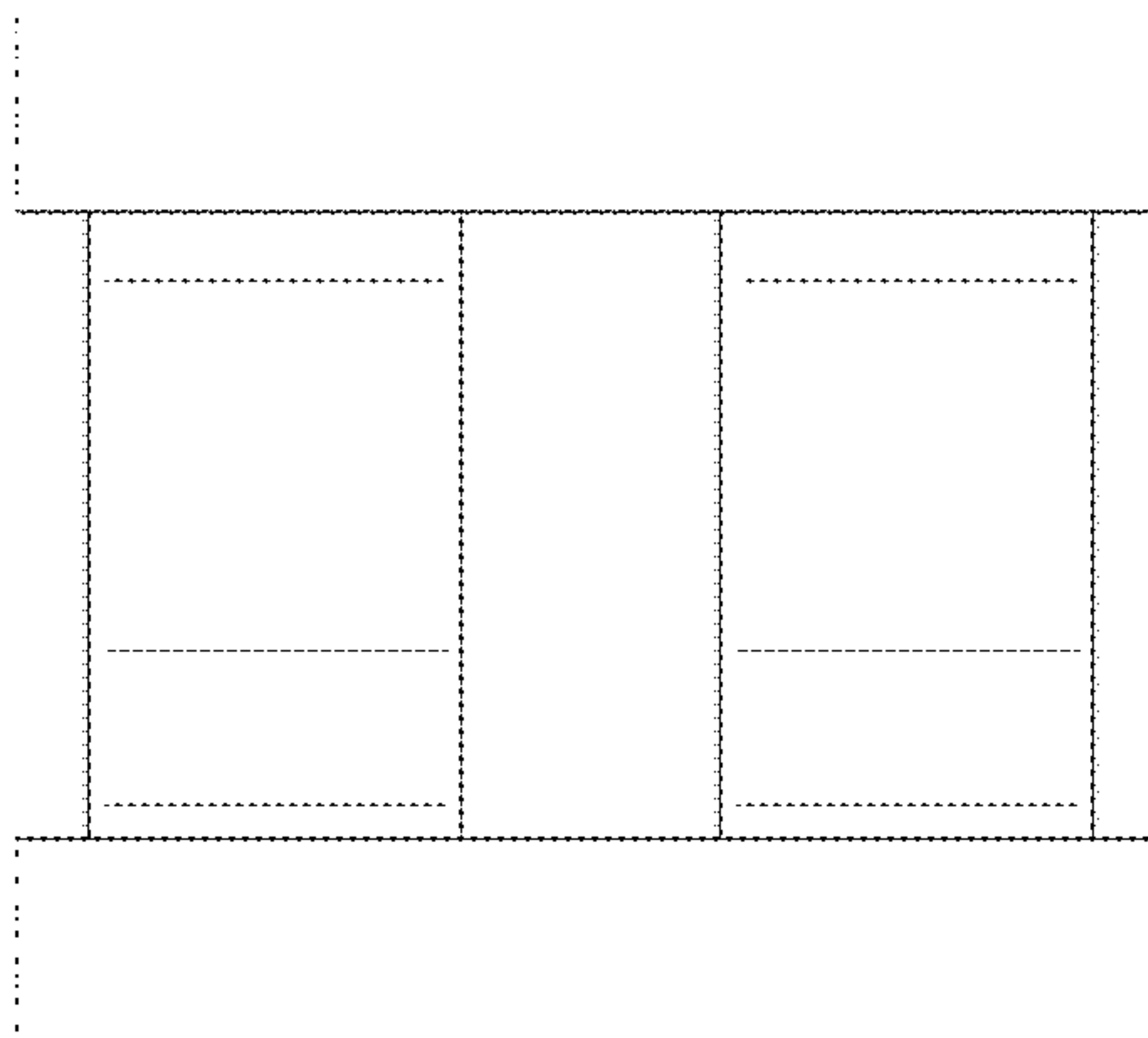


FIG. 29

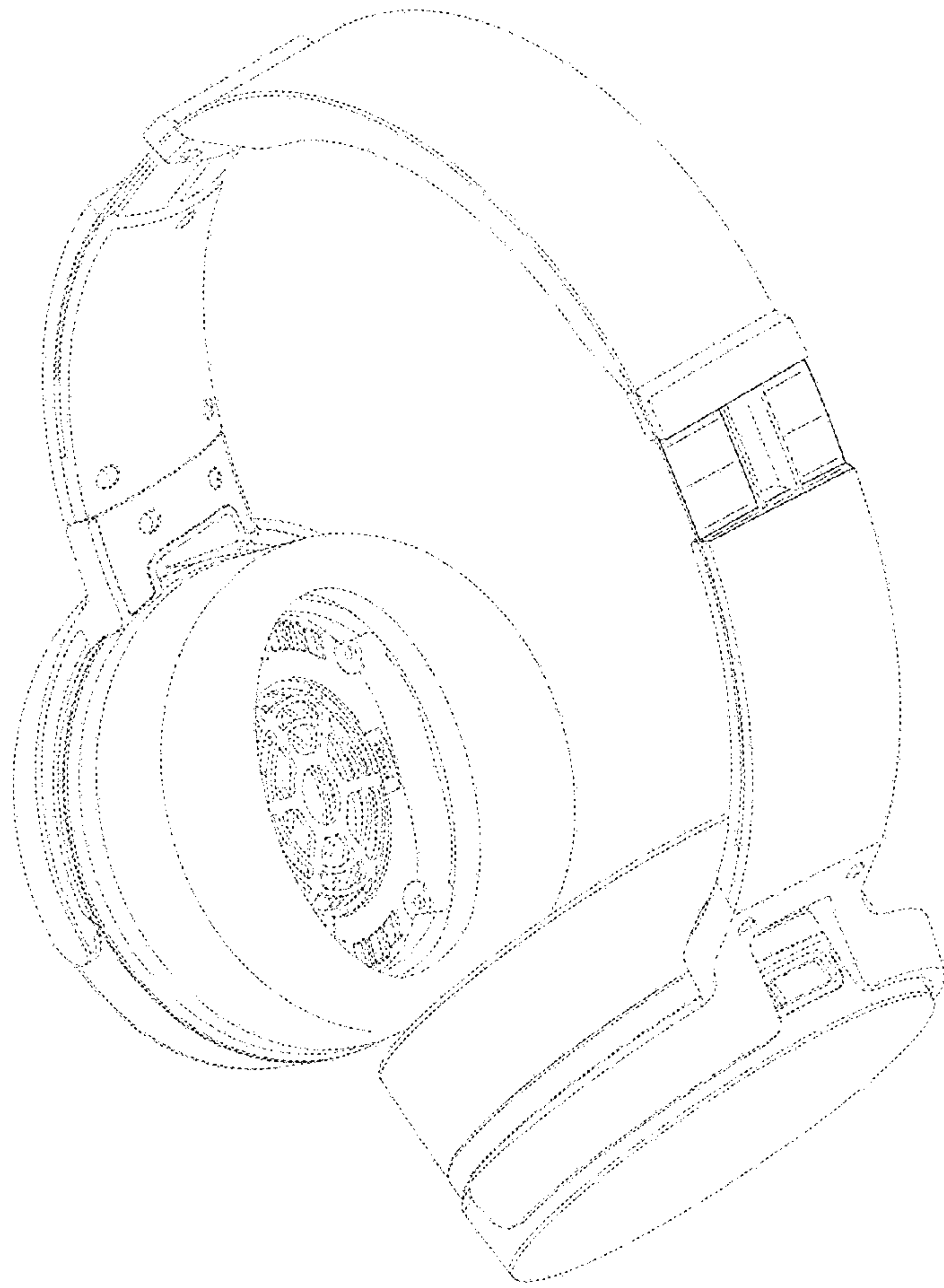


FIG. 30

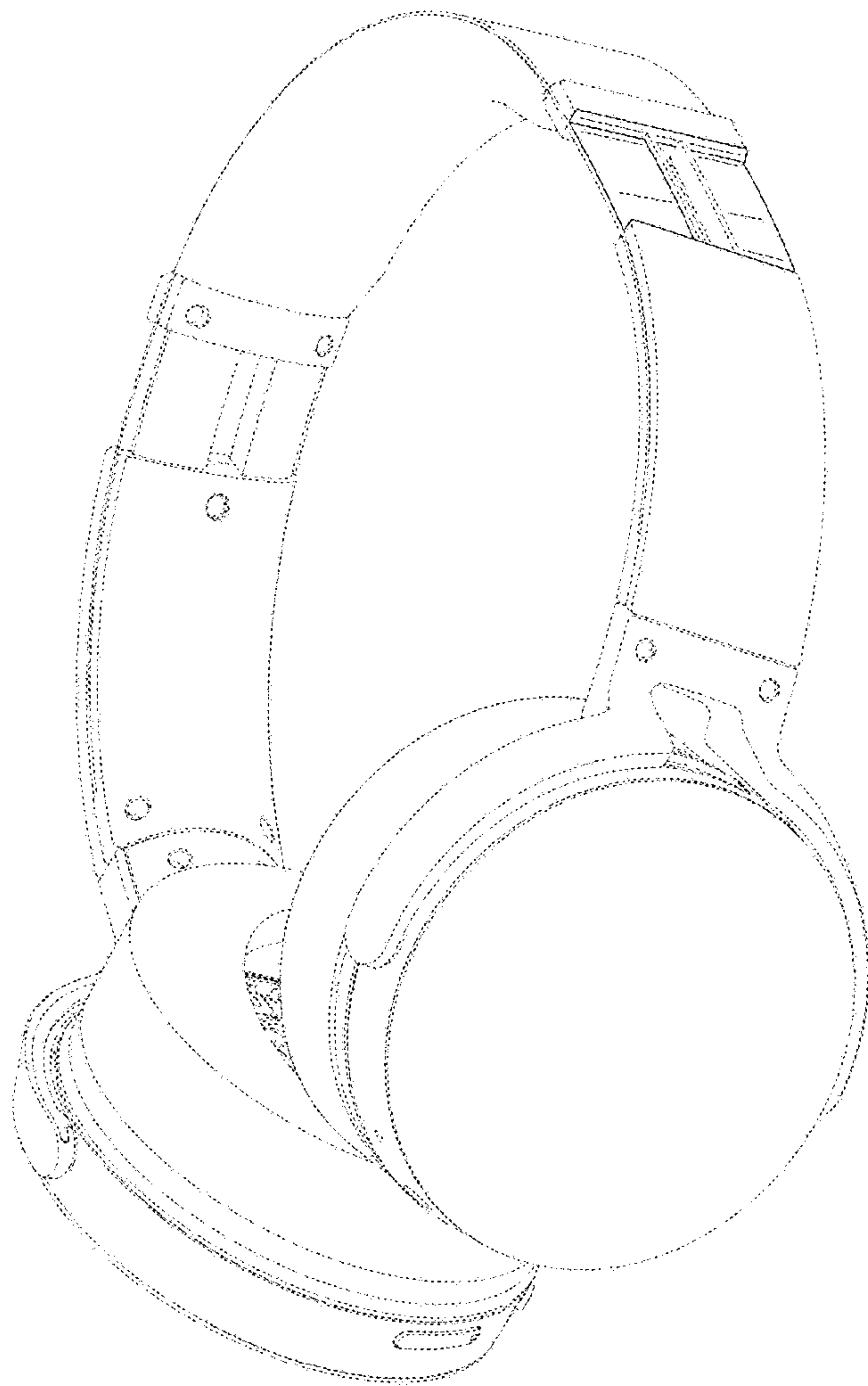


FIG. 31

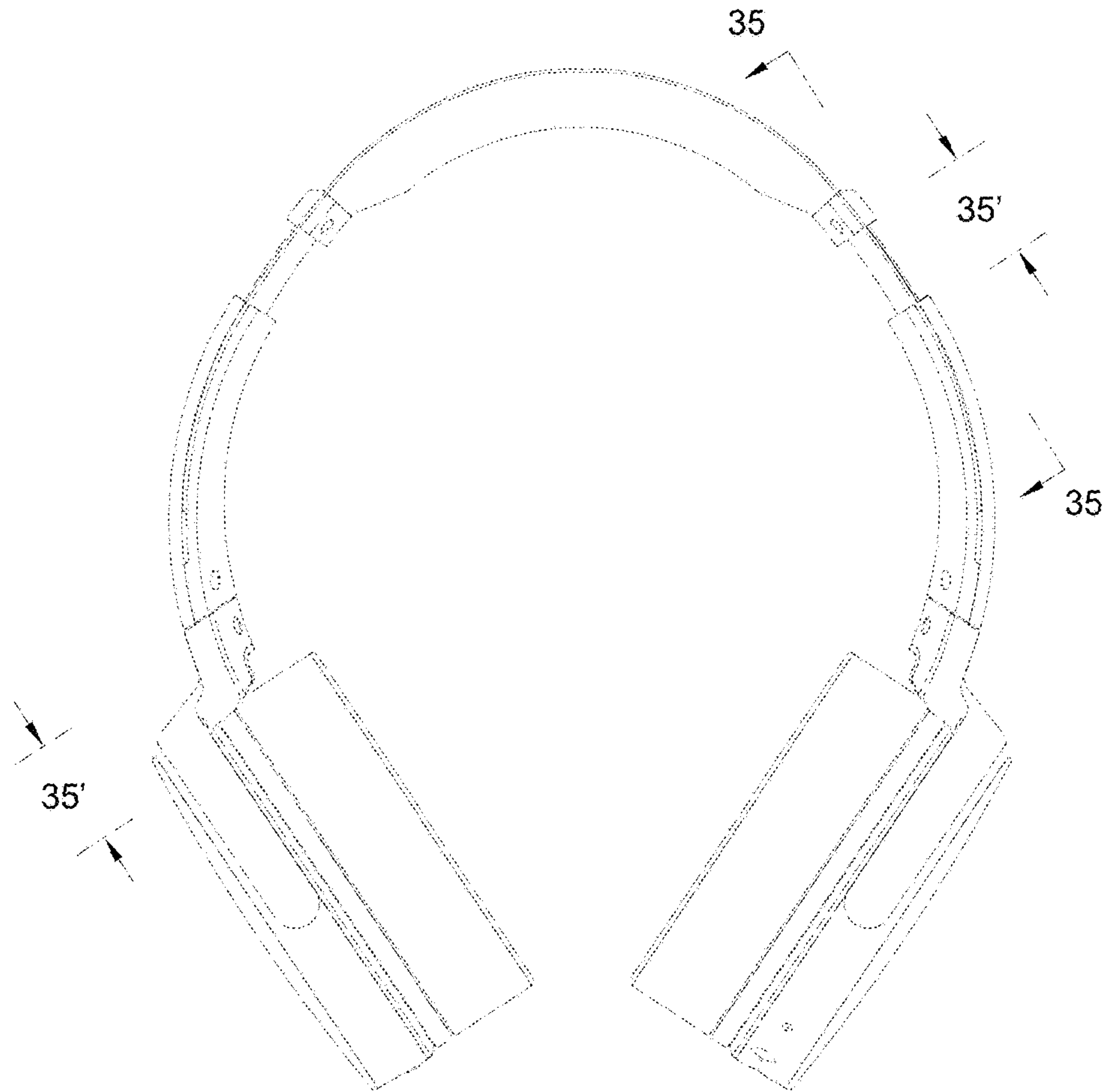
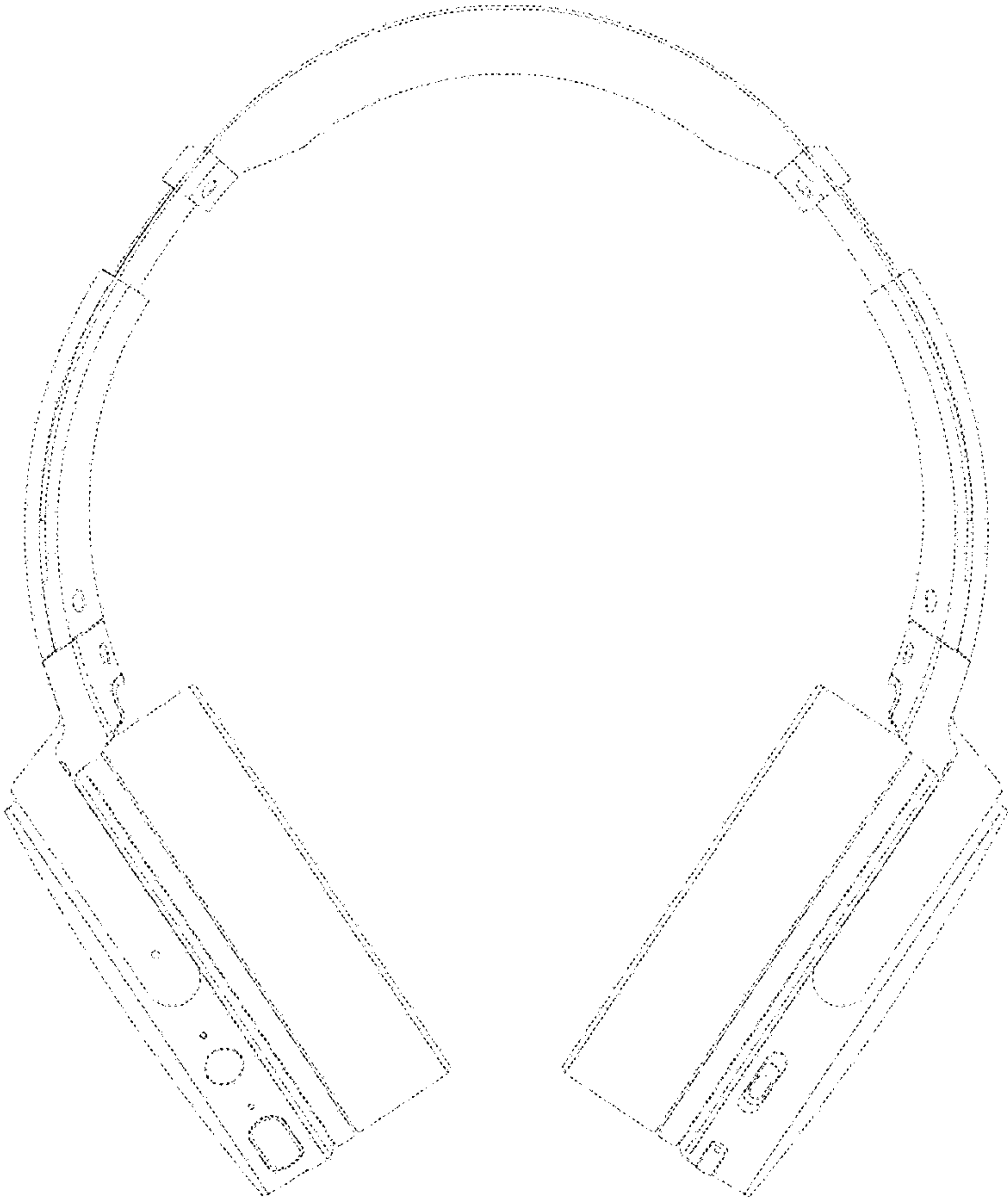




FIG. 32



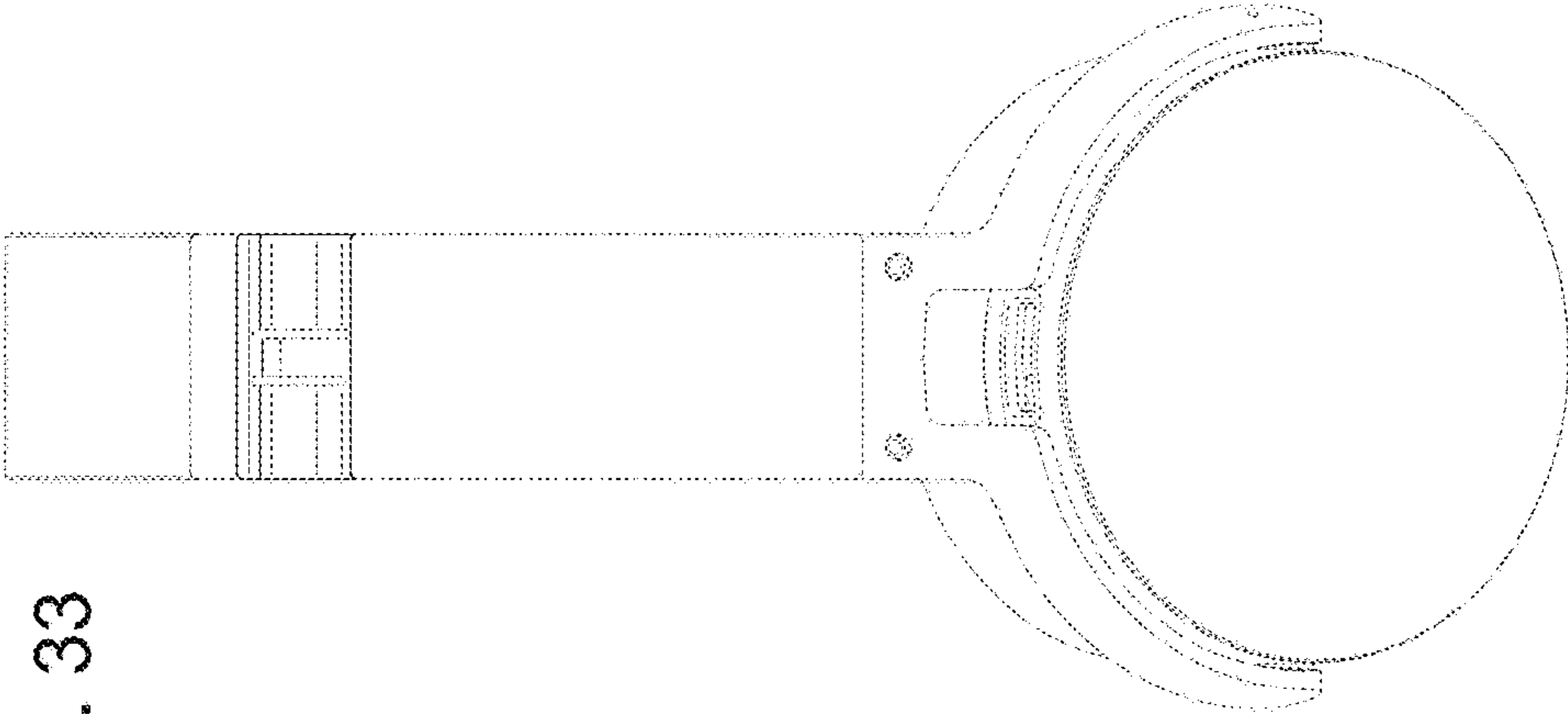


FIG. 33

FIG. 34

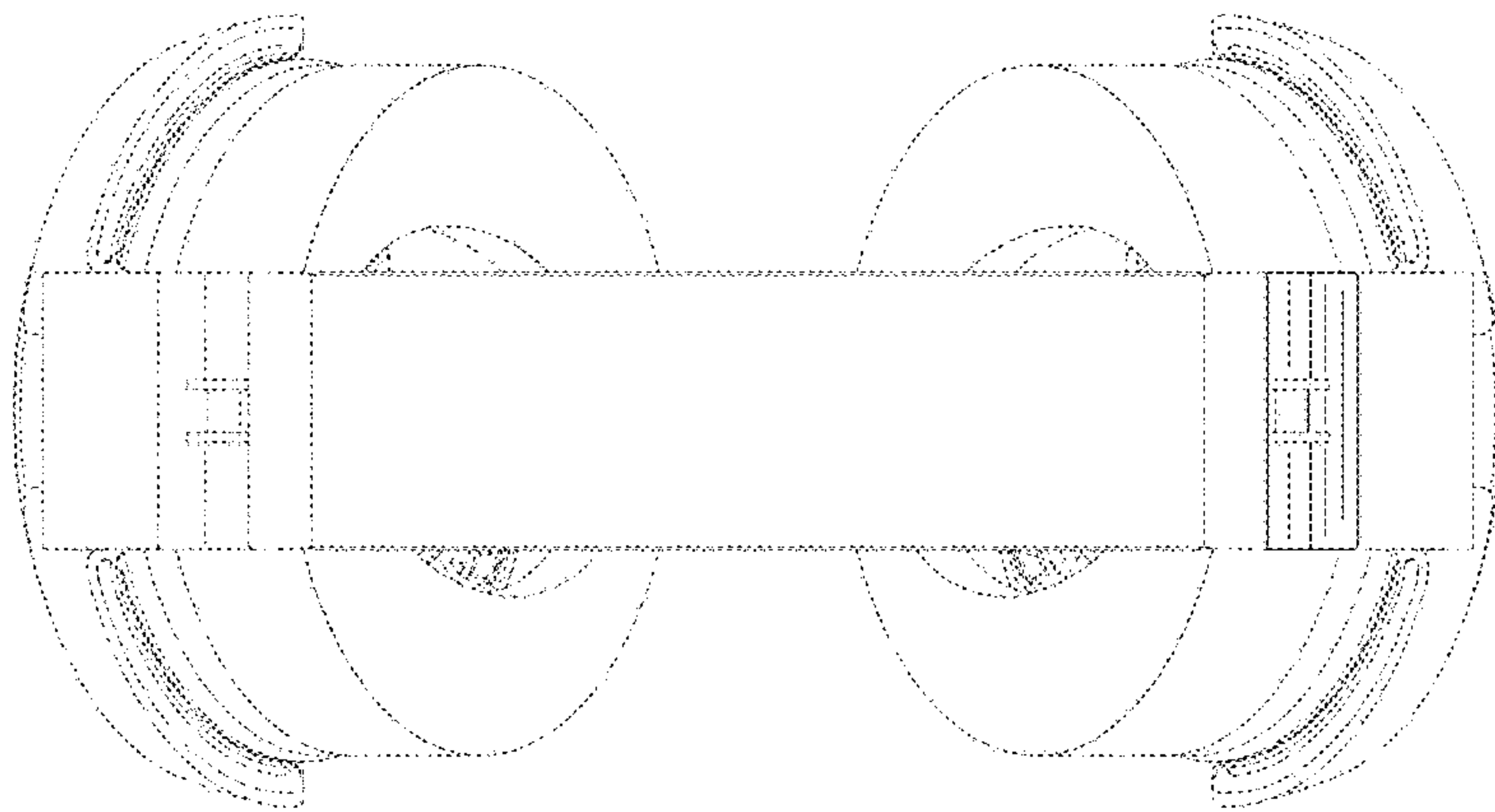


FIG. 35

