



US00D853984S

(12) **United States Design Patent** (10) **Patent No.:** **US D853,984 S**
Alves et al. (45) **Date of Patent:** **** Jul. 16, 2019**

(54) **WIRELESS MOBILE SPEAKER**
(71) Applicant: **SCOSCHE INDUSTRIES, INC.**,
Oxnard, CA (US)
(72) Inventors: **Kasidy Alves**, Oxnard, CA (US);
Christopher Michael McSweyn,
Oxnard, CA (US)
(73) Assignee: **Scosche Industries, Inc.**, Oxnard, CA
(US)
(**) Term: **15 Years**
(21) Appl. No.: **29/625,648**
(22) Filed: **Nov. 10, 2017**
(51) **LOC (11) Cl.** **14-01**
(52) **U.S. Cl.**
USPC **D14/204**
(58) **Field of Classification Search**
USPC D14/188, 203.1, 203.3, 204, 210–216,
D14/219, 221, 356, 363, 365–368, 496;
181/143, 144, 148, 153, 157, 198, 199;
369/6–12; 381/300–303, 361–364,
381/386–388
CPC H04R 1/02; H04R 1/021; H04R 1/023;
H04R 5/00; H04R 9/06; H04R 2420/07
See application file for complete search history.

(56) **References Cited**
U.S. PATENT DOCUMENTS
3,371,742 A 3/1968 Norton
D364,165 S * 11/1995 Esslinger D14/213
D436,943 S 1/2001 Hayashi et al.
D438,860 S 3/2001 Darbut et al.
D509,817 S * 9/2005 Gong D14/155
D611,450 S 3/2010 Miyazaki
D644,206 S 8/2011 Ponnert
D676,418 S 2/2013 Suzuki
D677,244 S 3/2013 Funayama

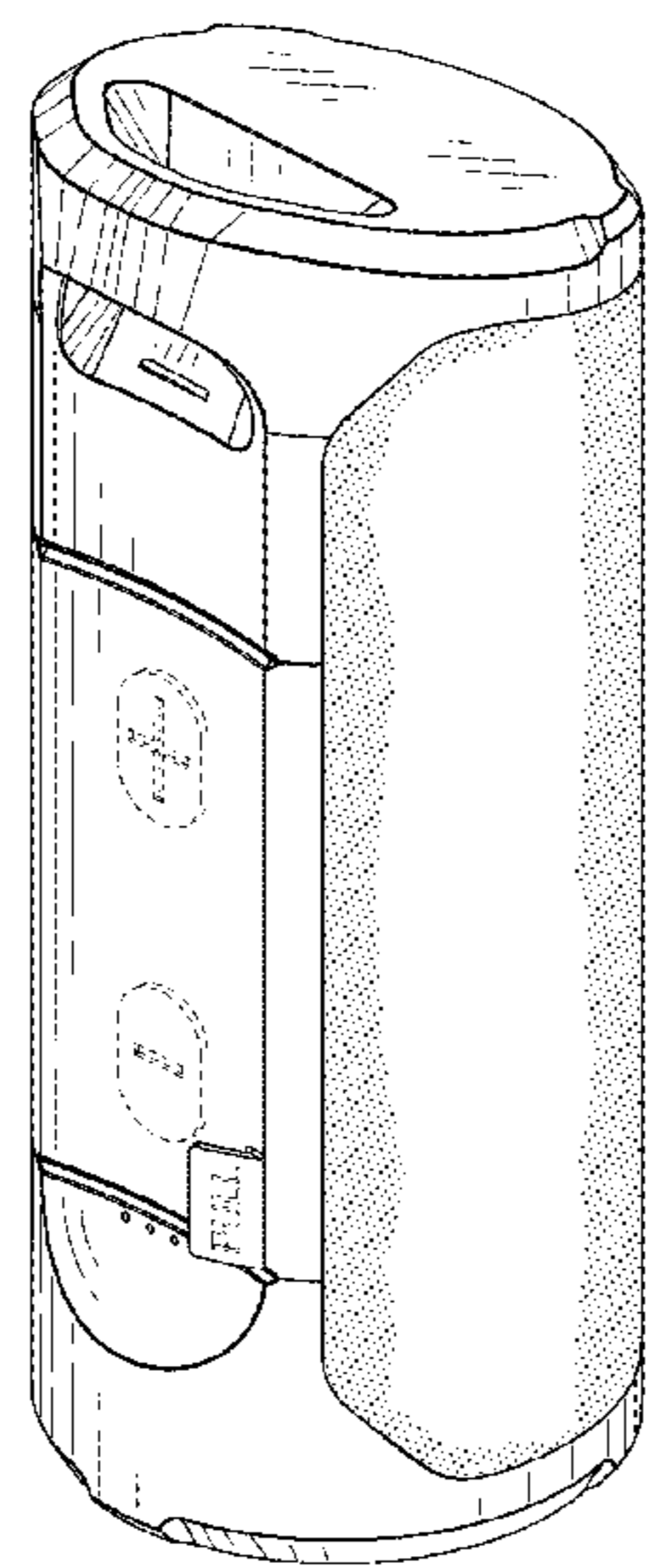
D681,604 S 5/2013 Funayama
D687,017 S * 7/2013 Ashcraft D14/216
D692,861 S 11/2013 Paterson
D698,753 S 2/2014 Yiu et al.
D706,743 S 6/2014 Lukic et al.
D709,118 S 7/2014 Yu
RE45,068 E * 8/2014 Schmidt A61M 15/0086
128/200.23
8,867,771 B2 10/2014 Mei
D725,076 S 3/2015 Wong
D725,077 S 3/2015 Wong
D726,155 S 4/2015 Cheng
9,055,156 B1 6/2015 Sumsion
D742,358 S 11/2015 Alves
9,179,214 B2 11/2015 Pham
D744,541 S * 12/2015 Langhammer D14/203.1
D753,630 S 4/2016 Kim
D760,195 S 6/2016 Lukic
(Continued)

Primary Examiner — Derrick E Holland
Assistant Examiner — Janice Patyk
(74) *Attorney, Agent, or Firm* — Stetina Brunda Garred &
Brucker

(57) **CLAIM**
The ornamental design for a wireless mobile speaker, as
shown and described.

DESCRIPTION
FIG. 1 is a rear perspective view showing the wireless
mobile speaker of the present invention;
FIG. 2 is a front perspective view thereof;
FIG. 3 is a top view thereof;
FIG. 4 is a right side view thereof;
FIG. 5 is a front view thereof;
FIG. 6 is rear view thereof;
FIG. 7 is a left side view thereof; and,
FIG. 8 is a bottom view thereof.
The broken lines in the figures illustrate the portions of the
design that form no part of the claimed design.

1 Claim, 3 Drawing Sheets



(56)

References Cited

U.S. PATENT DOCUMENTS

D765,618 S	9/2016	Alves	
D766,214 S	9/2016	Hinokio	
D781,918 S *	3/2017	Langhammer	D14/203.1
D786,829 S *	5/2017	Wang	D14/204
9,641,919 B1	5/2017	Poole	
D792,397 S	7/2017	Ma	
2009/0201413 A1 *	8/2009	Fishman	H04N 5/2252 348/373

* cited by examiner

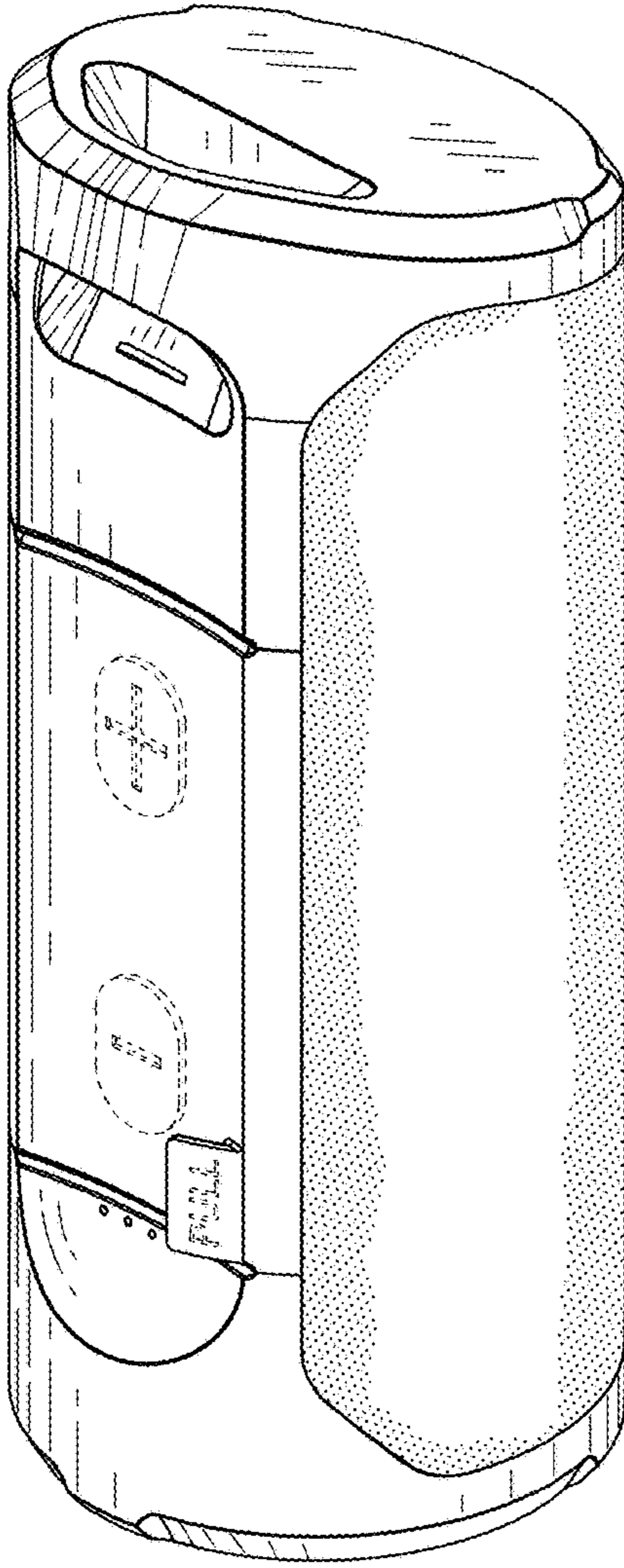


FIG. 1

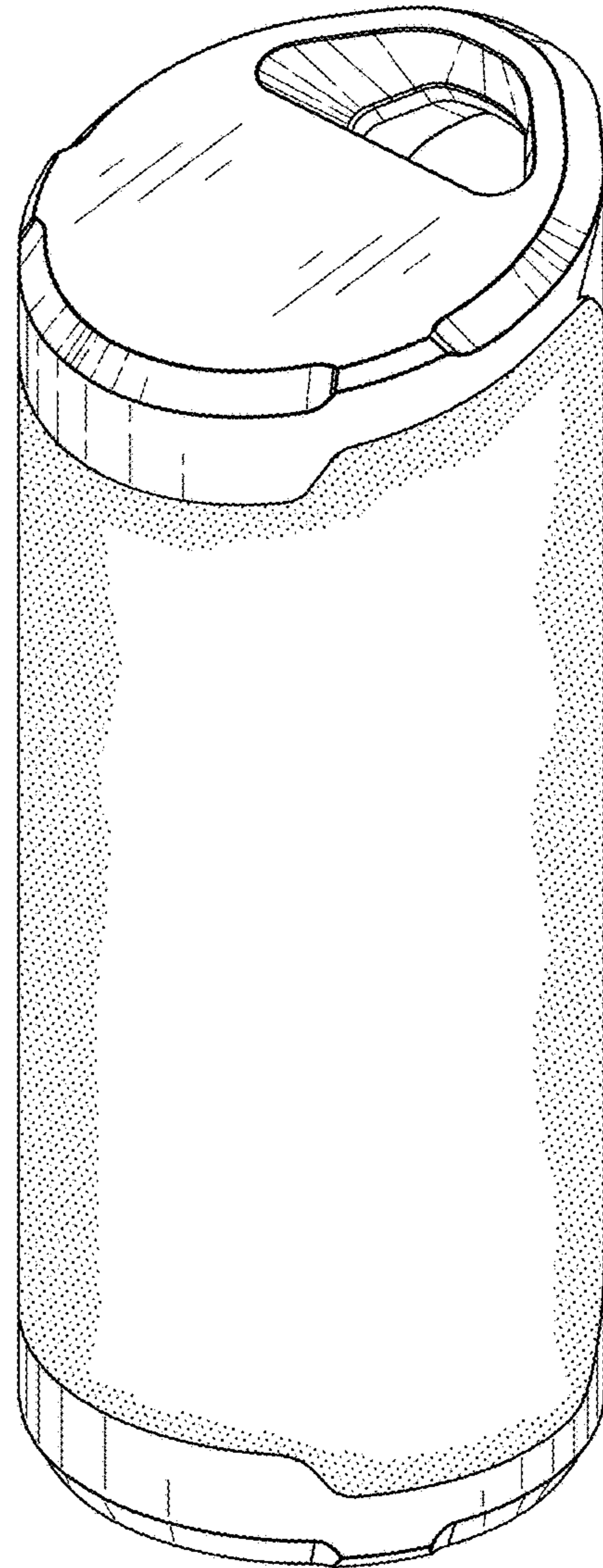


FIG. 2

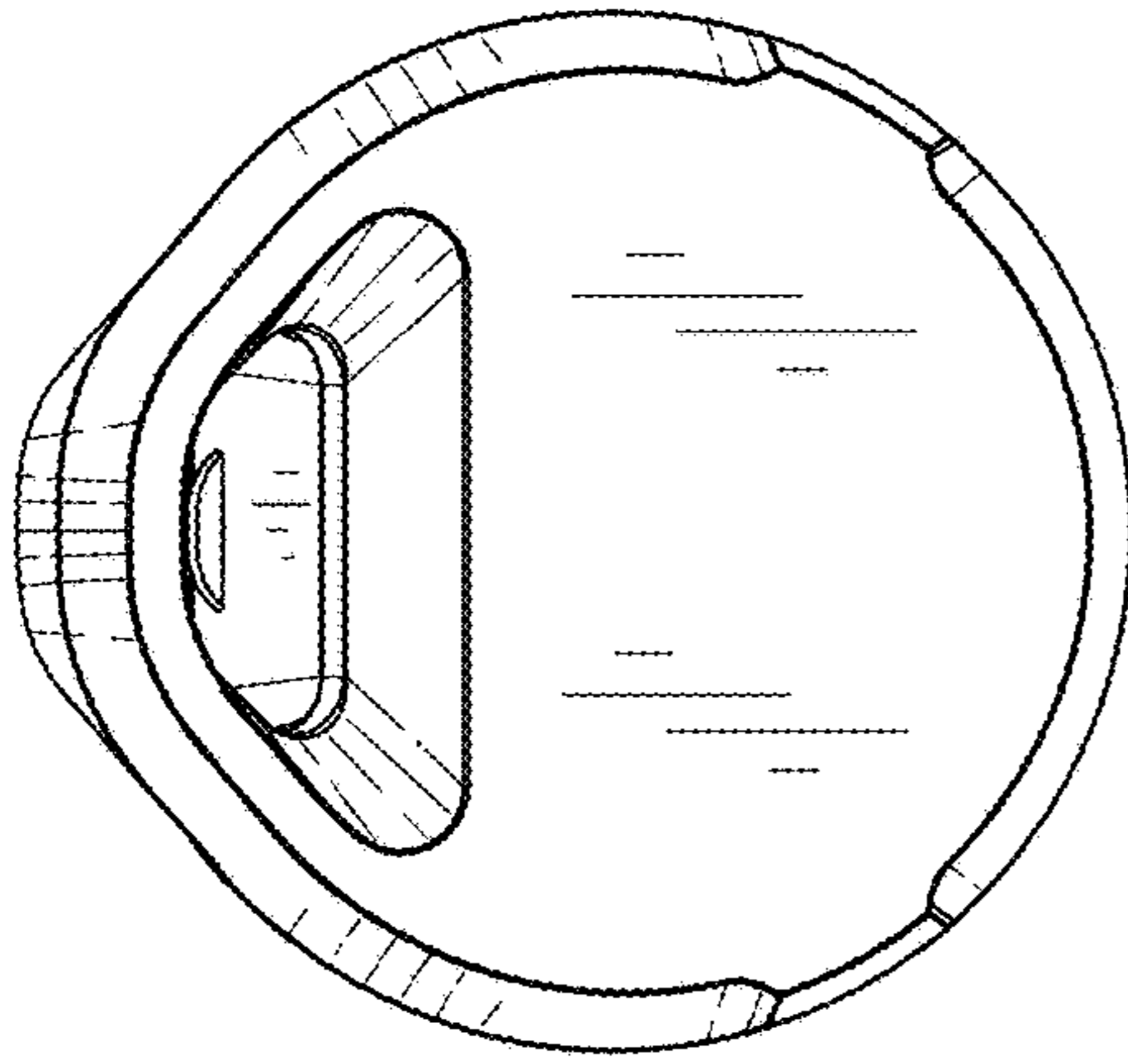


FIG. 3

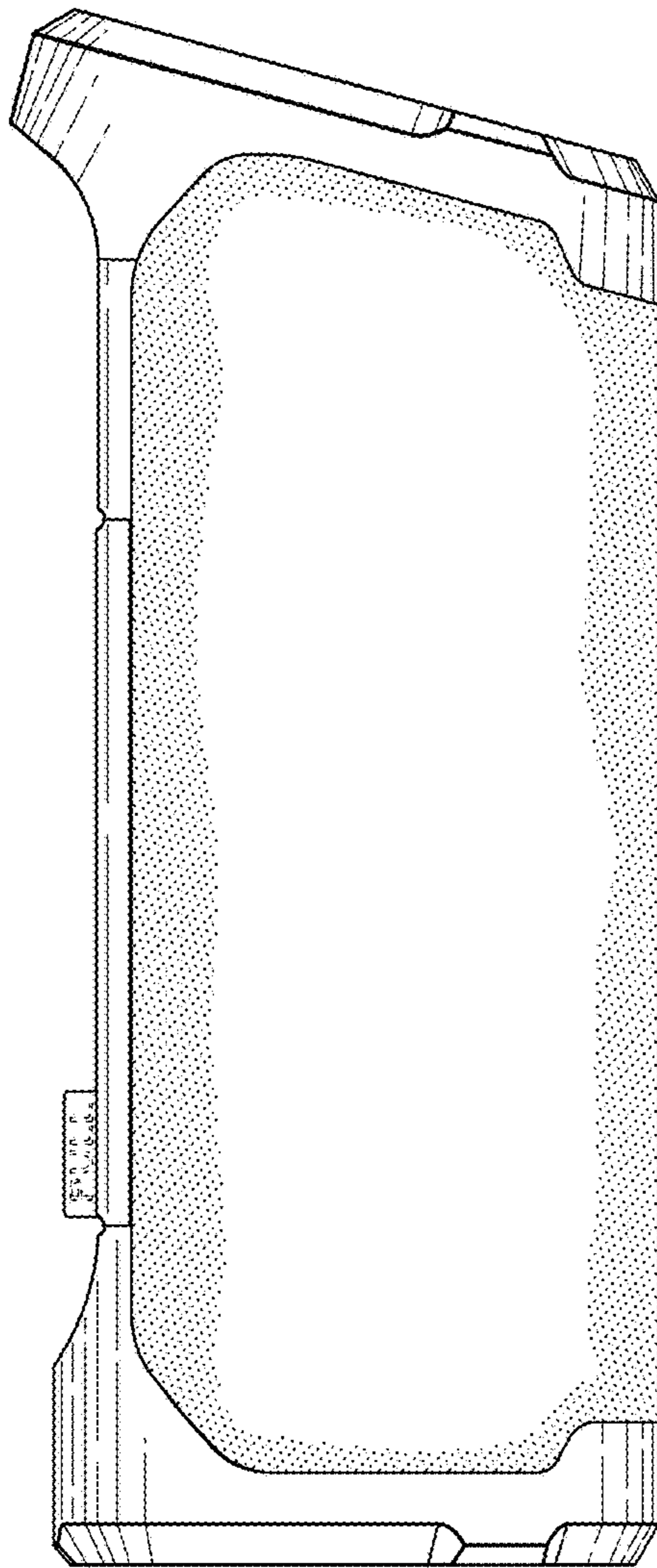


FIG. 4

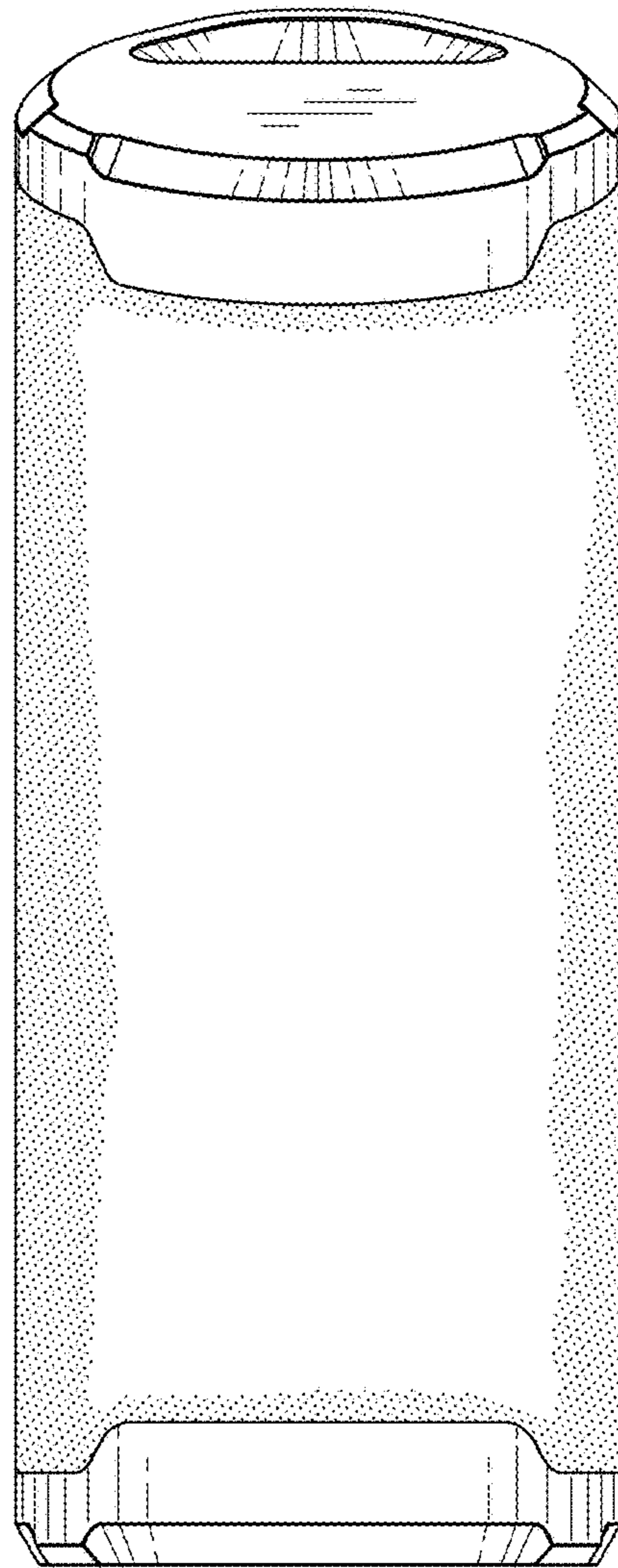


FIG. 5

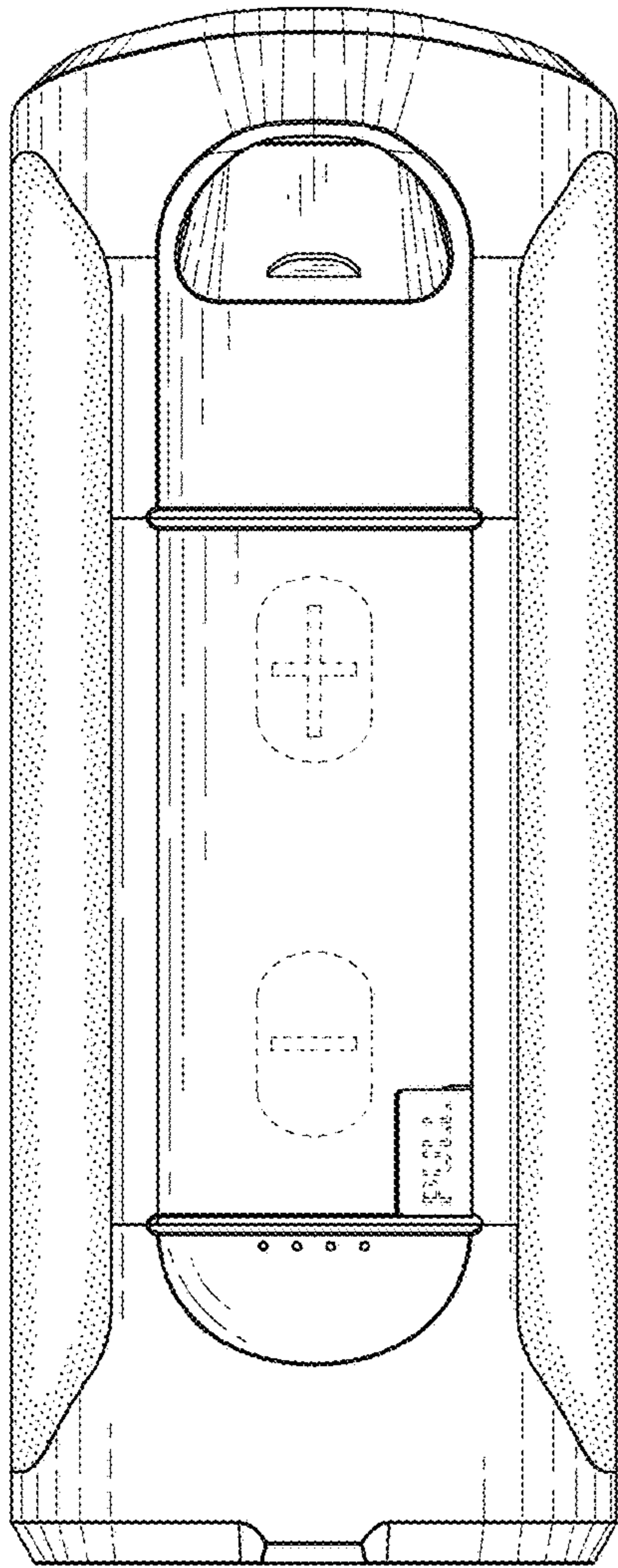


FIG. 6

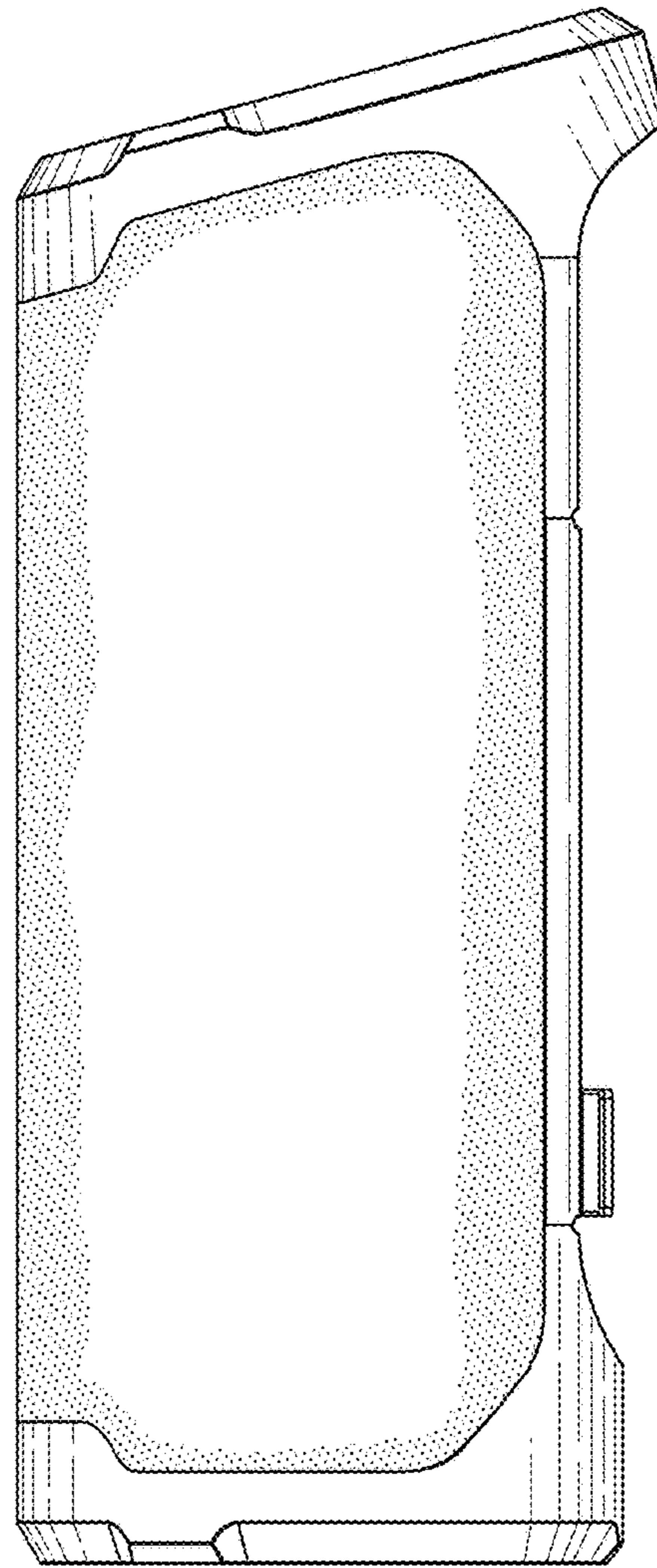


FIG. 7

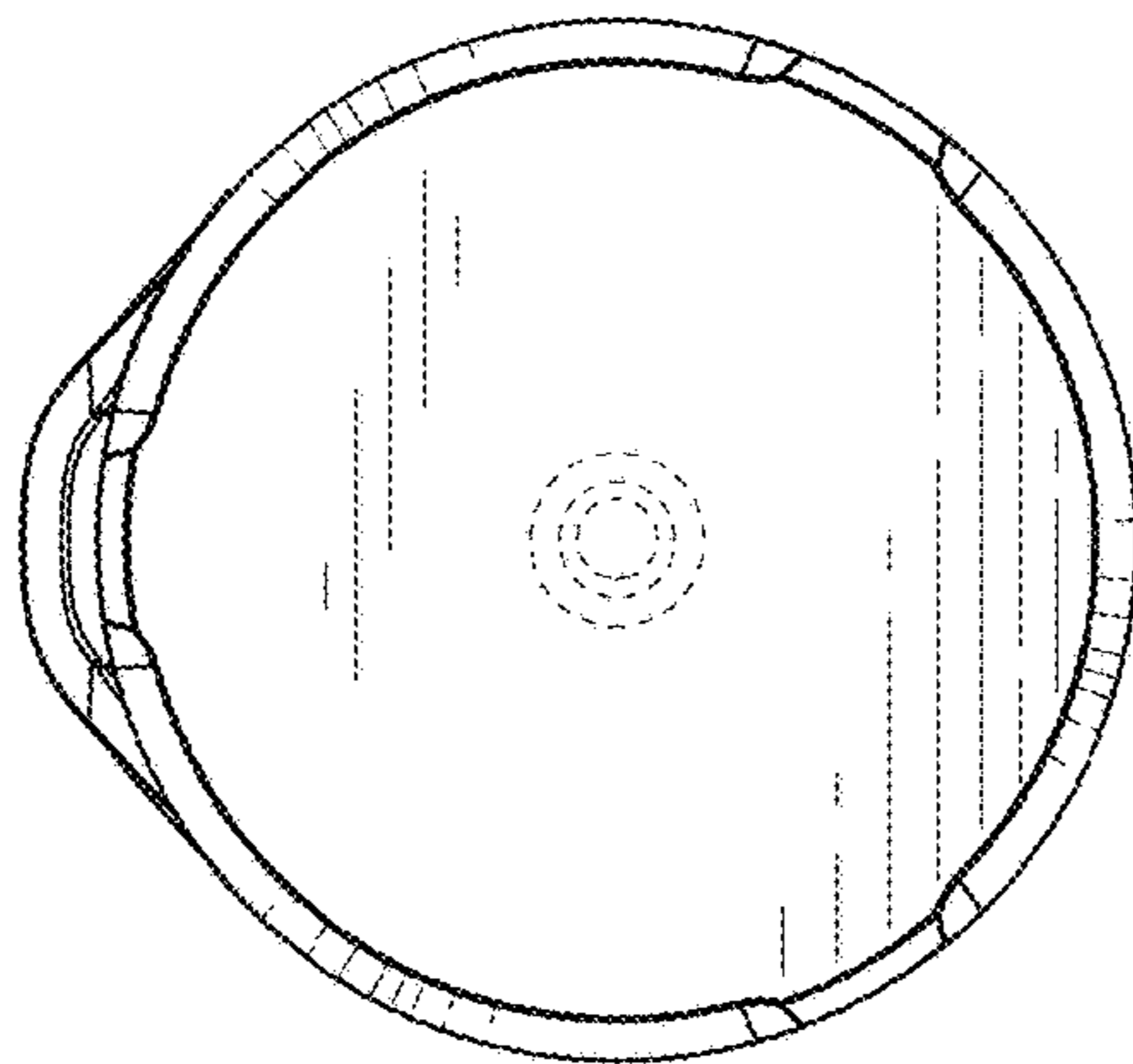


FIG. 8