



US00D853983S

(12) **United States Design Patent** (10) **Patent No.:** **US D853,983 S**  
**Sarvis et al.** (45) **Date of Patent:** **\*\* Jul. 16, 2019**

(54) **SPEAKER**

(71) Applicant: **PreSonus Audio Electronics, Inc.**,  
Baton Rouge, LA (US)

(72) Inventors: **Hugh Sarvis**, Greensboro, NC (US); **D. Broadus Keele, Jr.**, Bloomington, IN (US)

(73) Assignee: **PRESONUS AUDIO ELECTRONICS, INC.**, Baton Rouge, LA (US)

(\*\*) Term: **15 Years**

(21) Appl. No.: **29/619,197**

(22) Filed: **Sep. 27, 2017**

(51) **LOC (11) Cl.** ..... **14-01**

(52) **U.S. Cl.**  
USPC ..... **D14/204**

(58) **Field of Classification Search**  
USPC .... D14/167, 168, 170–172, 188, 204, 209.1,  
D14/210–216, 219, 221, 222, 224;  
181/144, 148, 153, 157, 198; 369/6–12;  
381/301–303, 306, 332, 334, 336, 345,  
381/361–363, 386–388  
CPC ..... G06F 1/1688; H04R 1/02; H04R 1/025;  
H04R 1/026; H04R 1/323; H04R 1/403;  
H04R 1/2803; H04R 1/2834; H04R 5/02;  
H04R 9/06; H04R 2201/021; H04R  
2400/00; H04R 2400/07; H04R 2499/11  
See application file for complete search history.

(56) **References Cited**

**U.S. PATENT DOCUMENTS**

D414,771 S \* 10/1999 Hoyt ..... D14/214  
D442,942 S \* 5/2001 Tsuge ..... D14/214

D461,792 S \* 8/2002 Silverstein ..... D14/214  
D462,065 S \* 8/2002 Silverstein ..... D14/214  
D484,484 S \* 12/2003 Green ..... D14/204  
D568,294 S \* 5/2008 Sawhney ..... D14/214  
D654,474 S \* 2/2012 Hawkins ..... D14/214  
D676,827 S \* 2/2013 Desrosiers ..... D14/204  
D705,191 S \* 5/2014 Boudreau ..... D14/214

\* cited by examiner

*Primary Examiner* — Derrick E Holland

*Assistant Examiner* — Janice Patyk

(74) *Attorney, Agent, or Firm* — Leason Ellis LLP

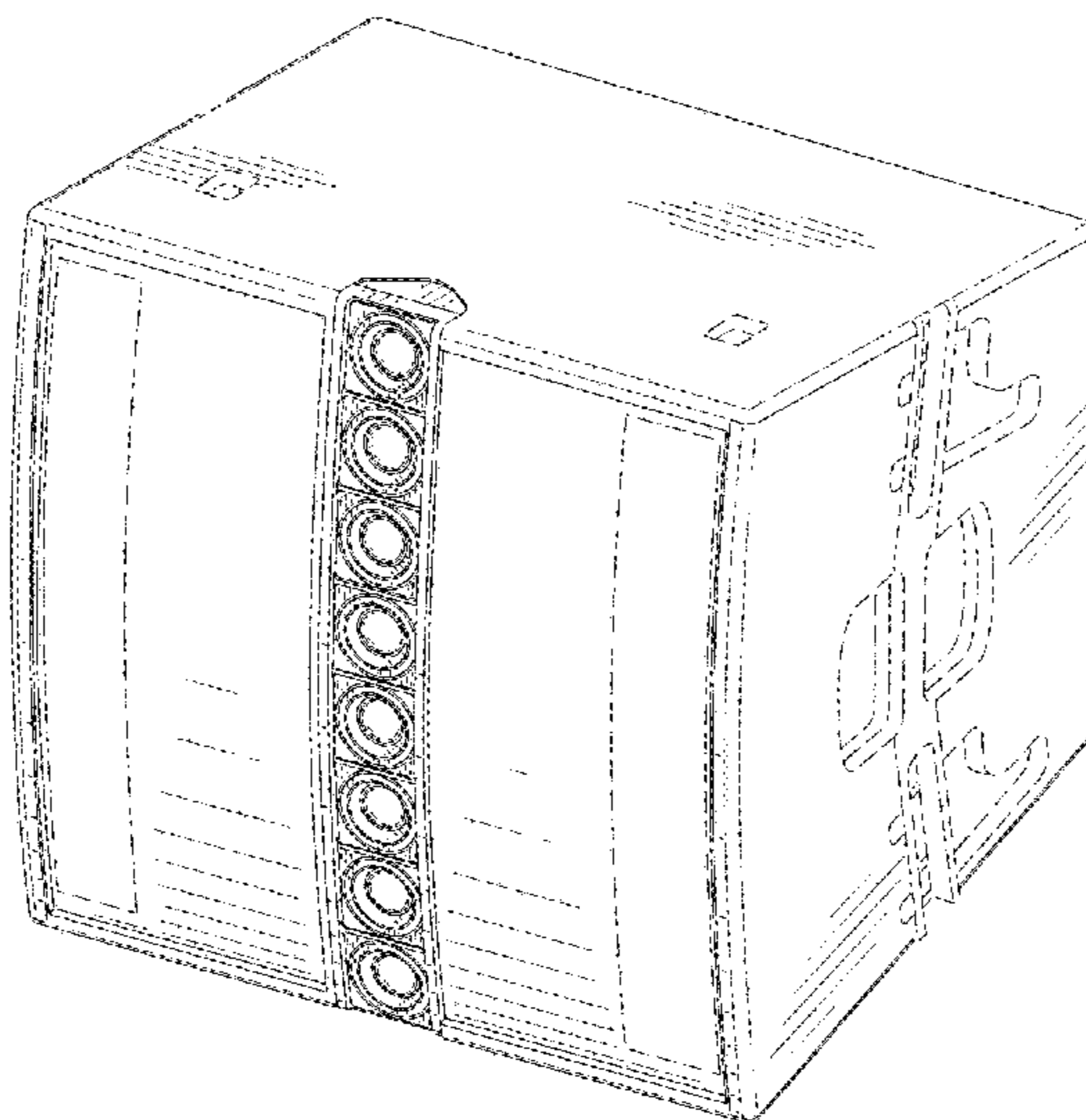
(57) **CLAIM**

The ornamental design for a speaker, as shown and described.

**DESCRIPTION**

FIG. 1 is a front perspective view of a speaker, showing our new design;  
FIG. 2 is a front view thereof;  
FIG. 3 is a rear view thereof;  
FIG. 4 is a top view thereof;  
FIG. 5 is a bottom view thereof;  
FIG. 6 is a left side view thereof;  
FIG. 7 is a right side view thereof; and,  
FIG. 8 is a front perspective view thereof, shown in environmental use.  
The broken lines in the figures illustrate the portions of the design that form no part of the claimed design.  
The broken lines speakers in FIG. 8 illustrate environmental subject matter that form no part of the claimed design.

**1 Claim, 8 Drawing Sheets**



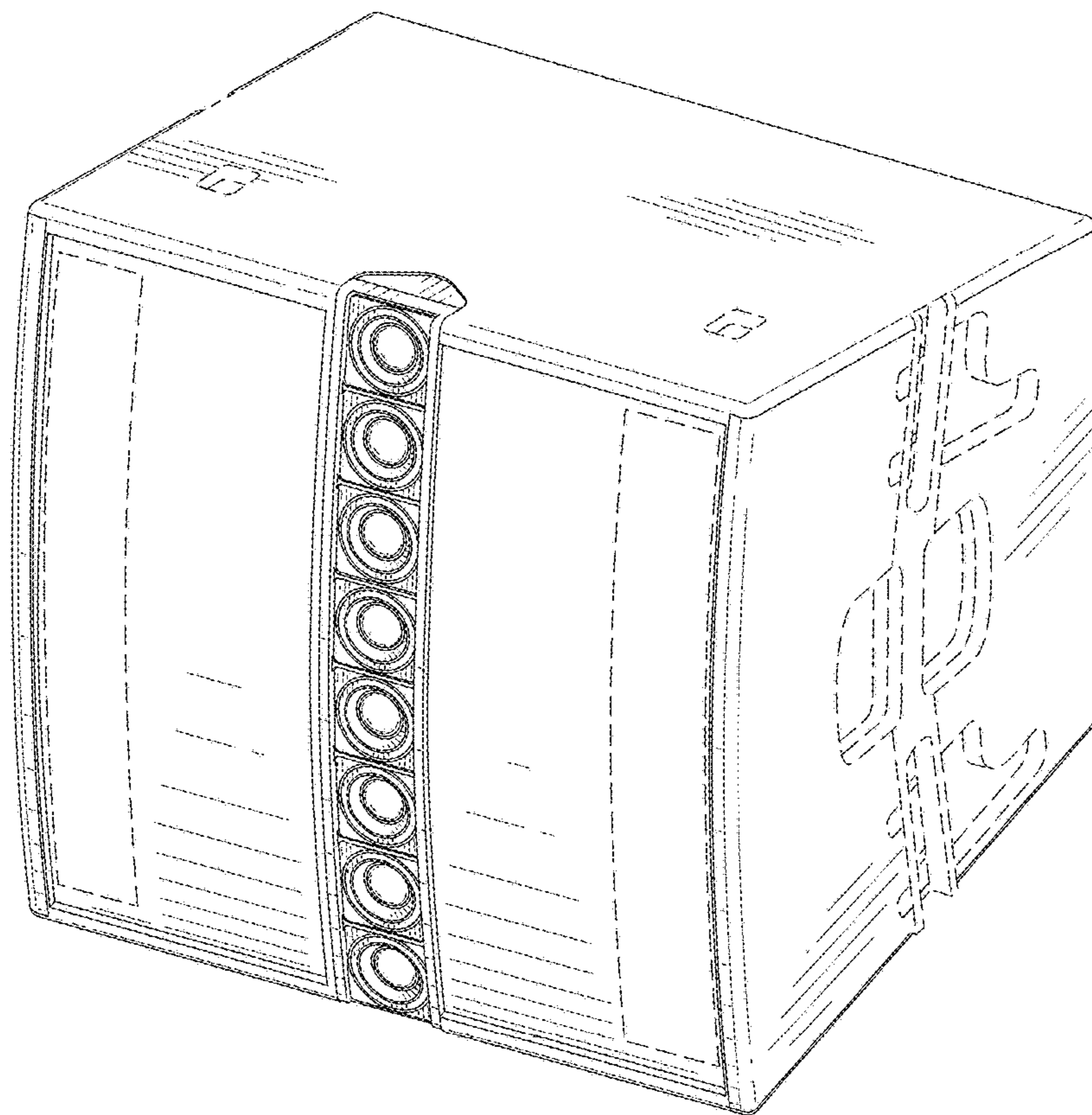


Fig. 1

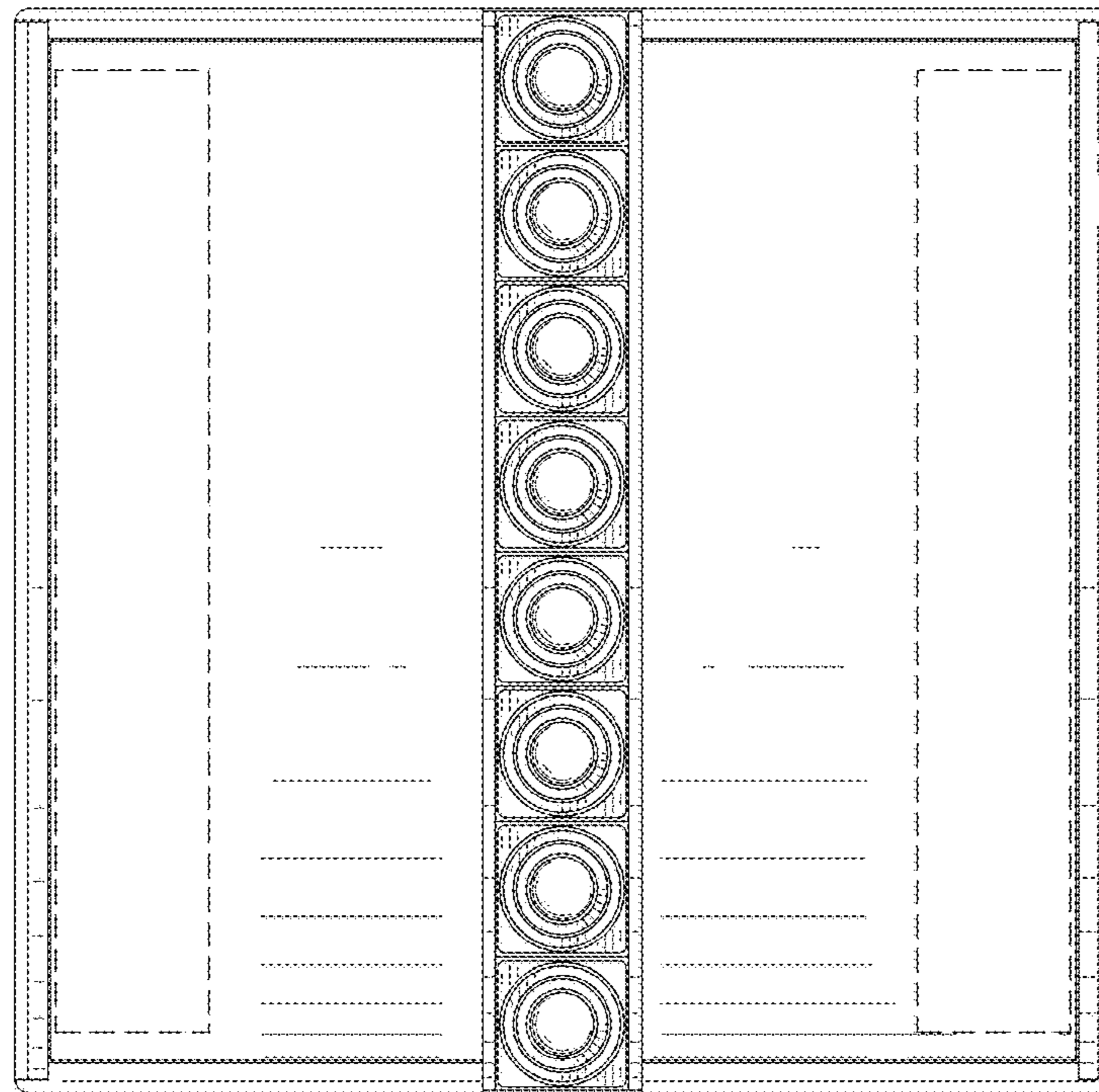


Fig. 2

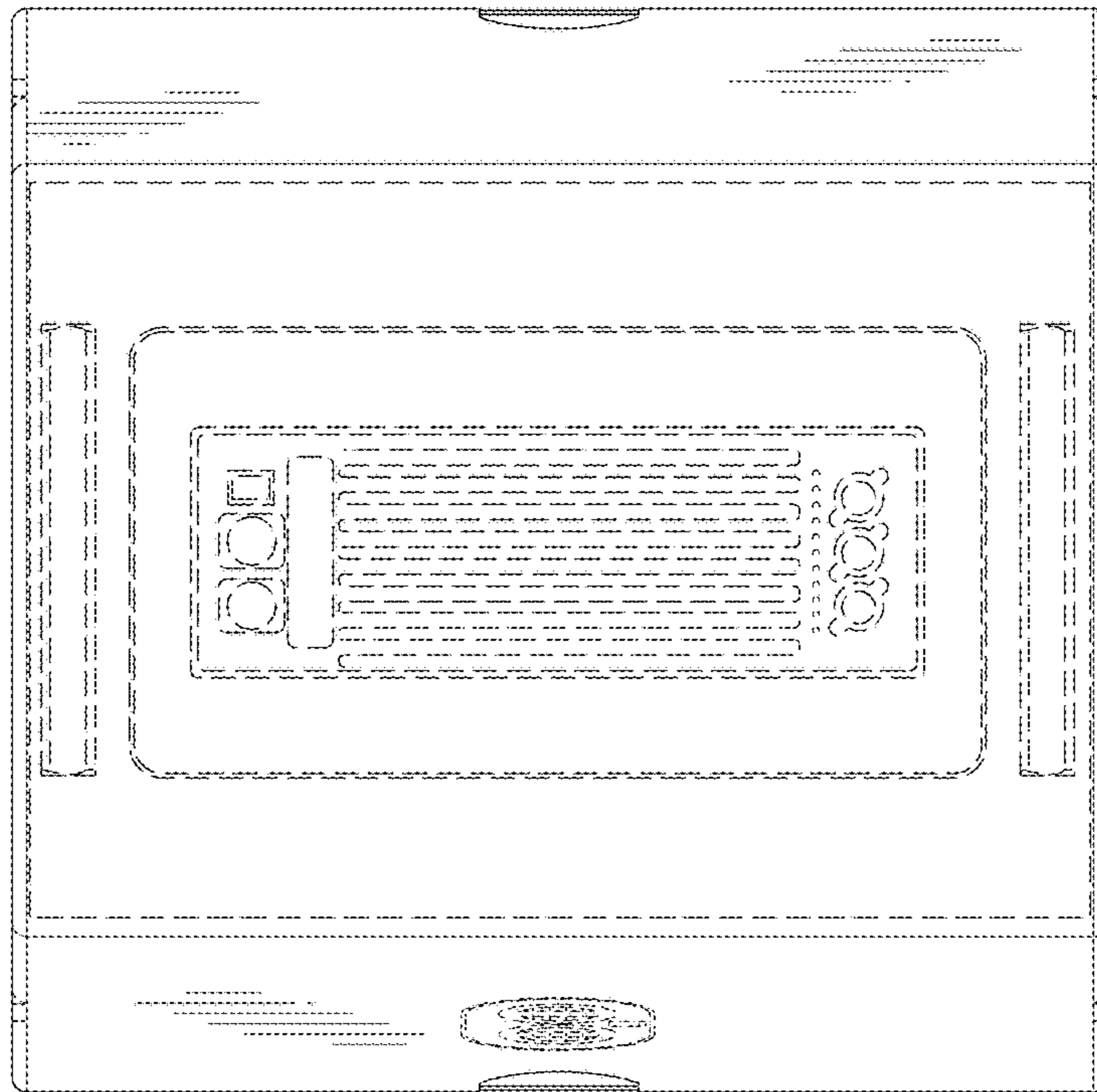


Fig. 3

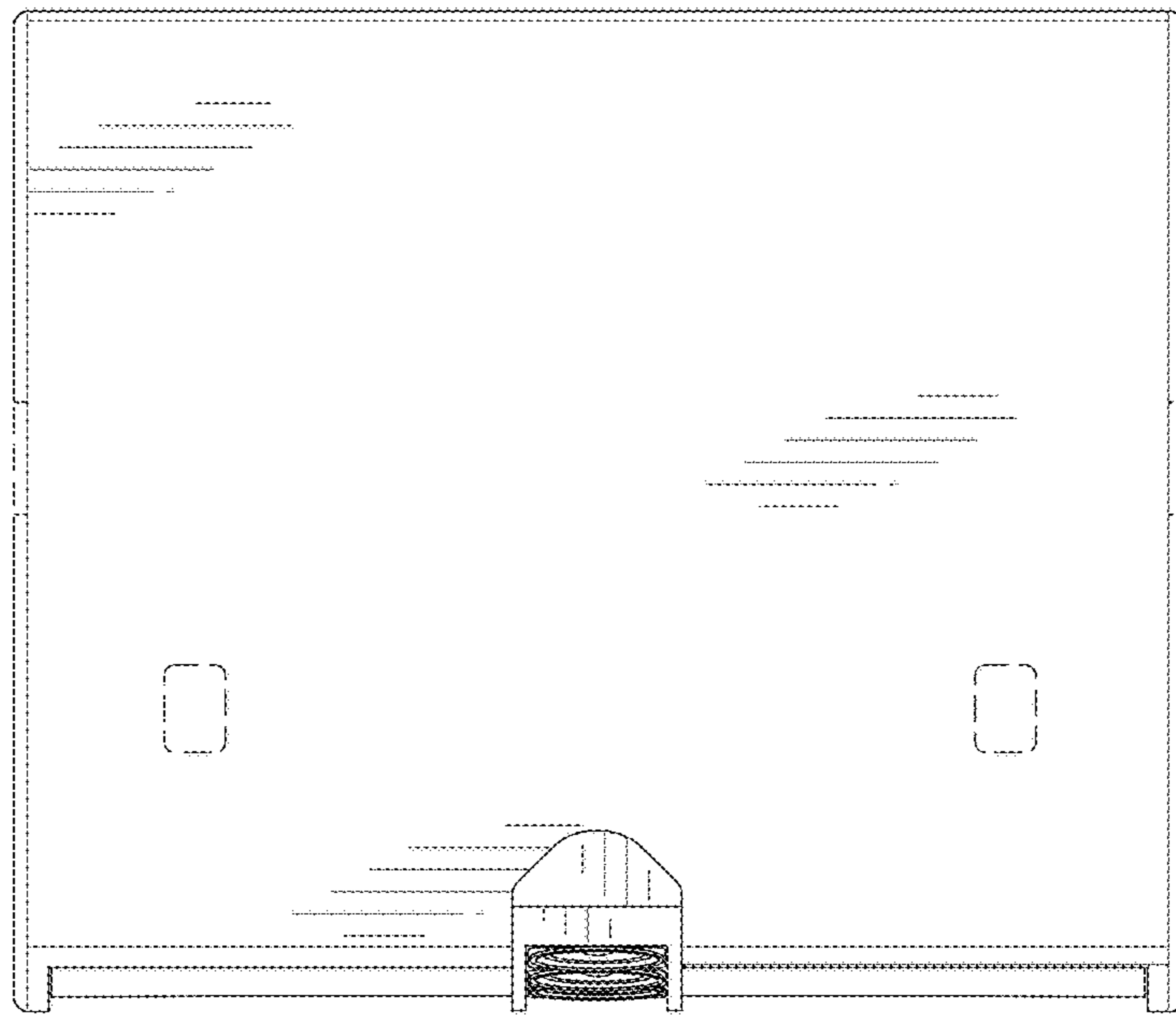


Fig. 4

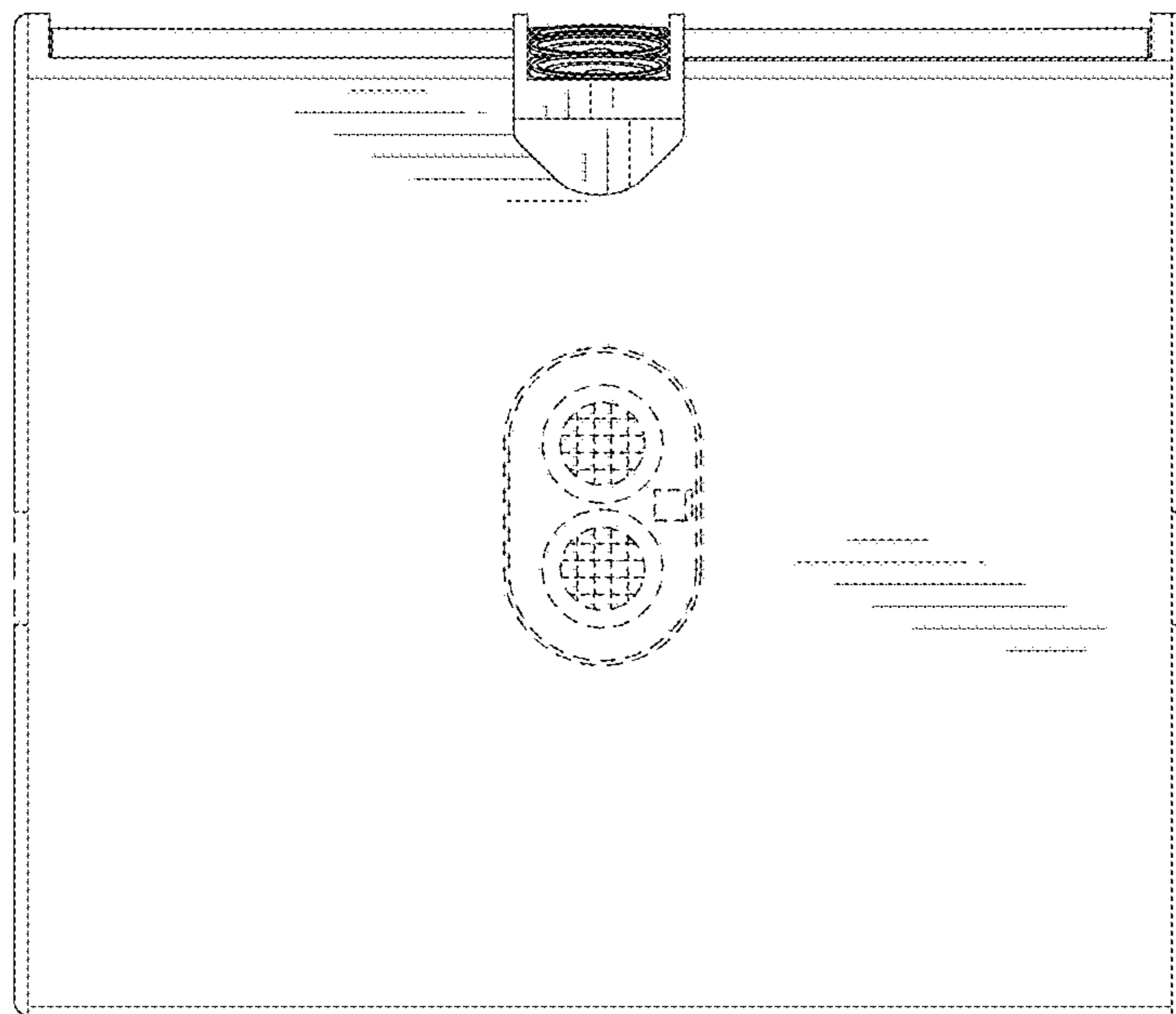


Fig. 5

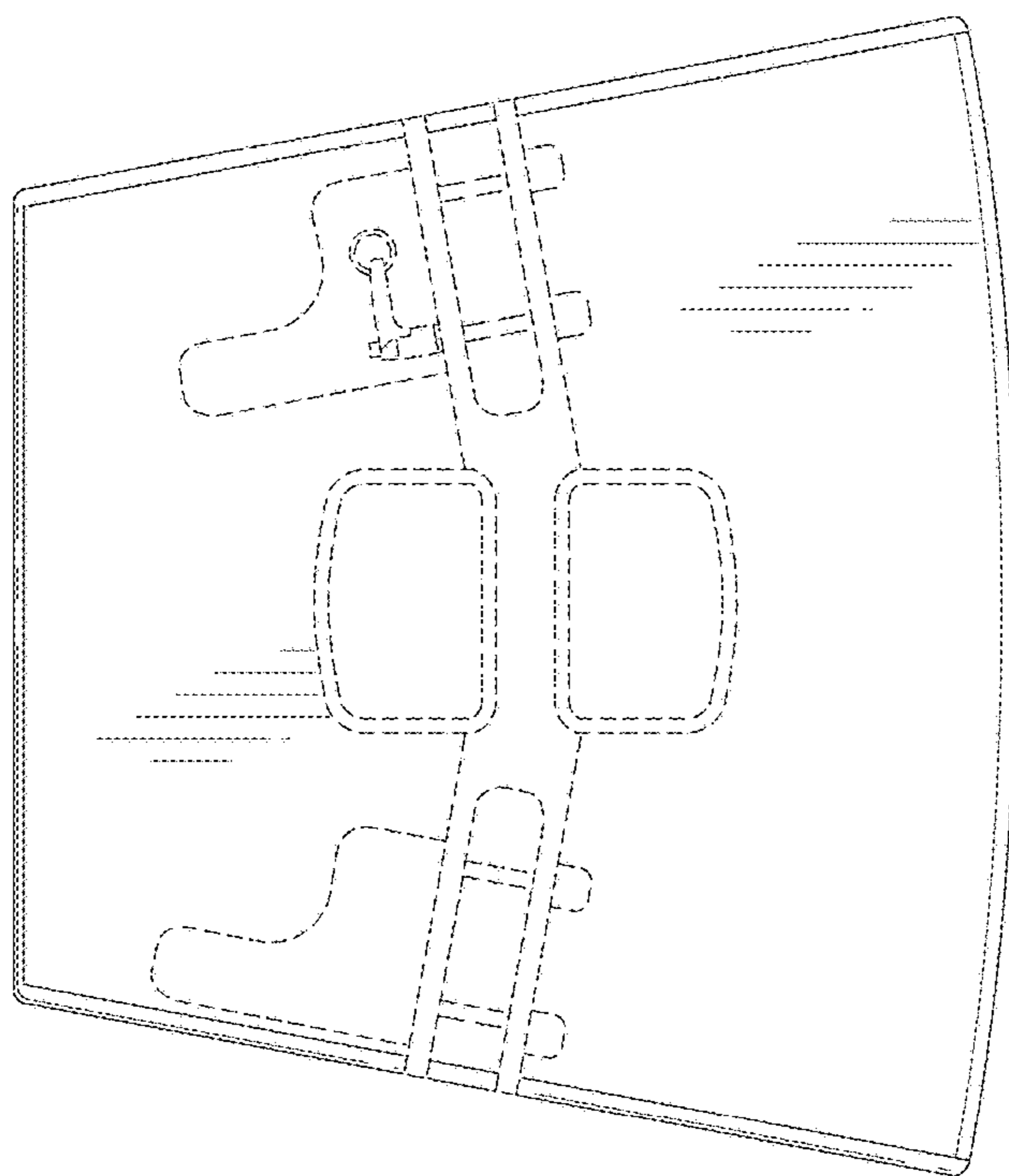


Fig. 6

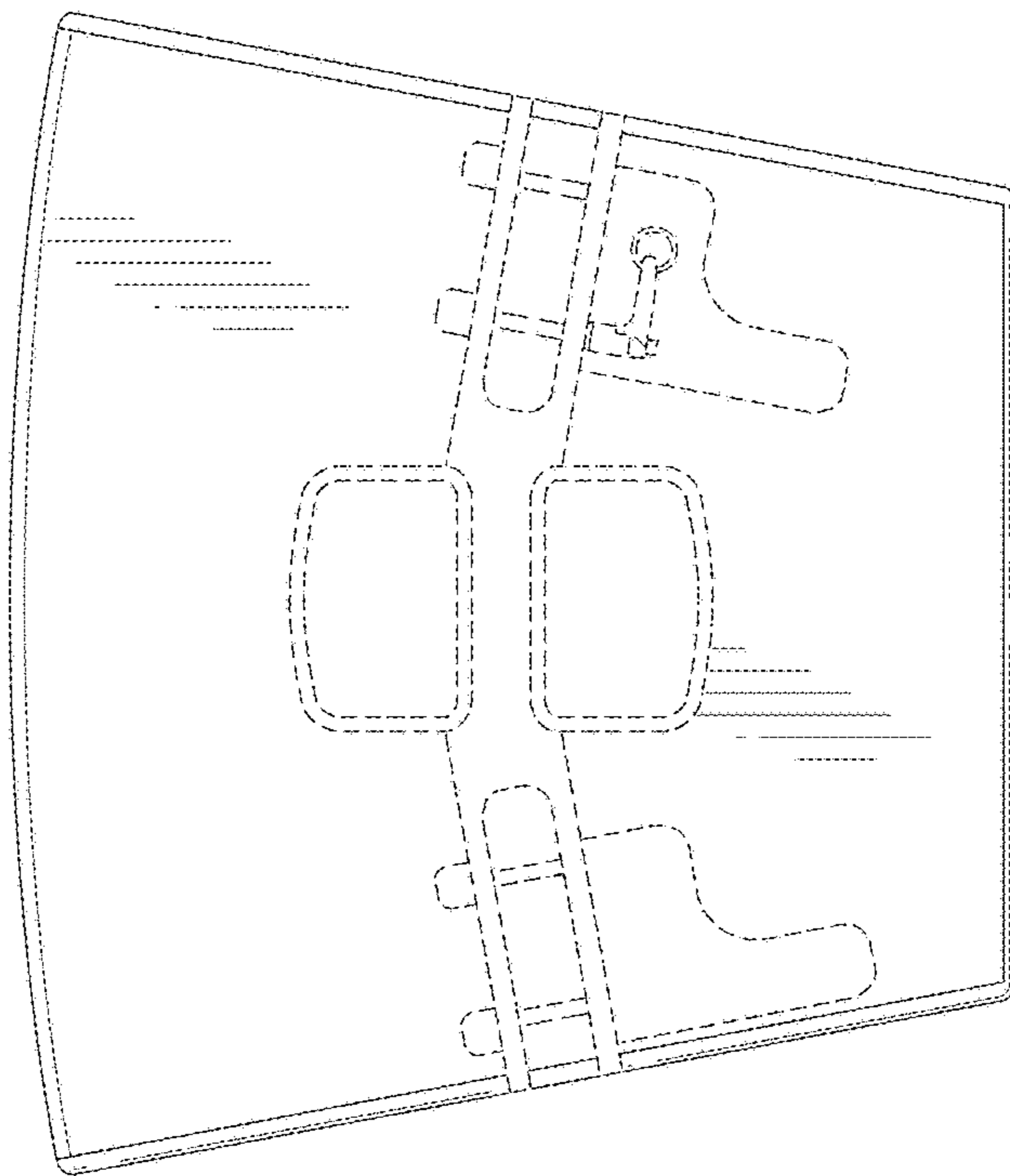


Fig. 7



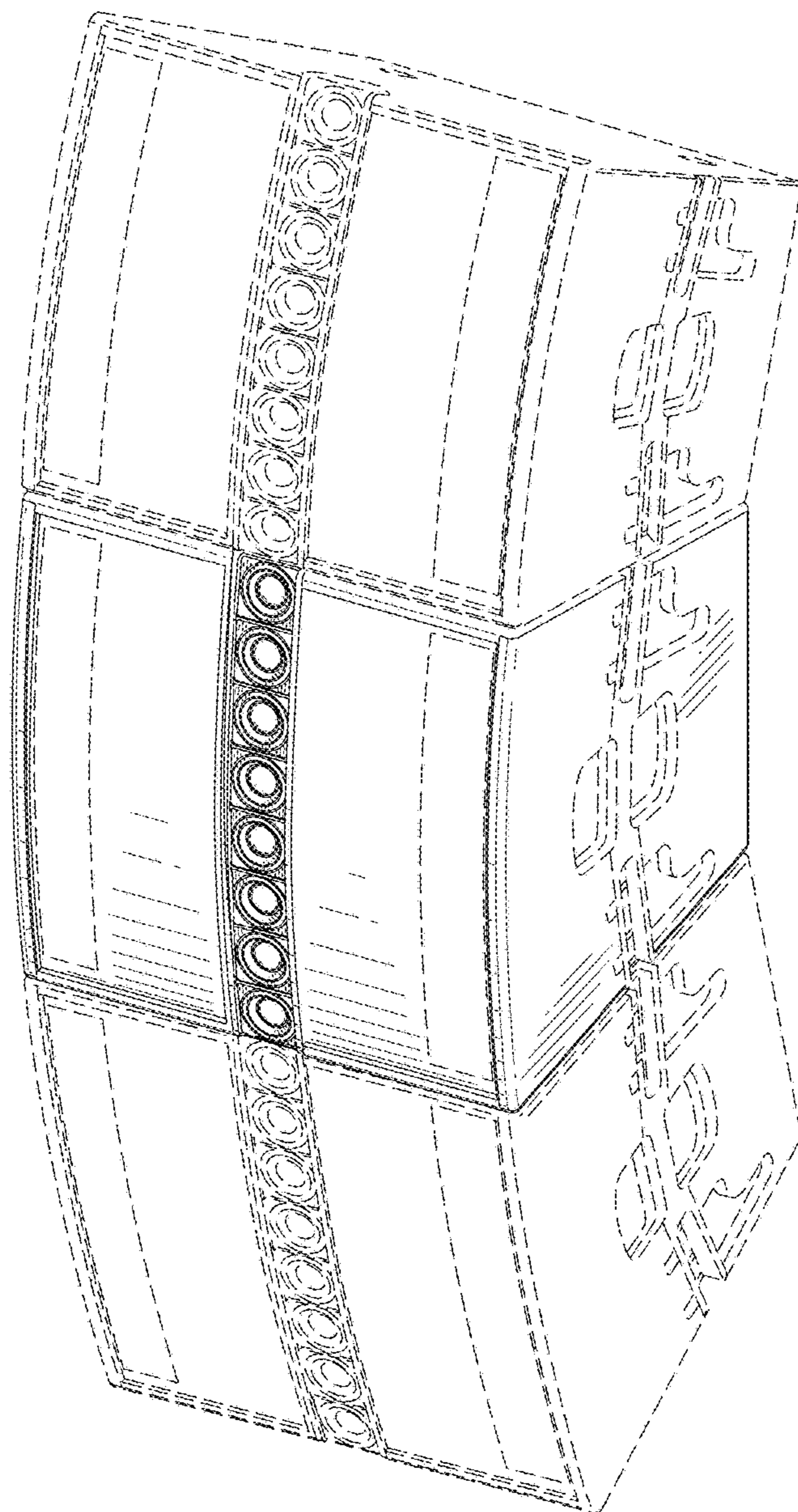


Fig. 8