



US00D853981S

(12) **United States Design Patent**  
**Nakano et al.**

(10) **Patent No.:** **US D853,981 S**  
(45) **Date of Patent:** **\*\* Jul. 16, 2019**

(54) **TELEPHONE**

FOREIGN PATENT DOCUMENTS

(71) Applicant: **NEC Platforms, Ltd.**, Kawasaki-shi,  
Kanagawa (JP)

JP	1497351	5/2014
JP	1497636	5/2014
KR	3020120017710	5/2016

(72) Inventors: **Hiromitsu Nakano**, Kawasaki (JP);  
**Katsufumi Matsuura**, Kawasaki (JP);  
**Wataru Kuwajima**, Kawasaki (JP);  
**Masakatsu Takizawa**, Kawasaki (JP);  
**Yasuhito Nagaki**, Kawasaki (JP);  
**Takayuki Yoshimoto**, Yokohama (JP)

OTHER PUBLICATIONS

Telephones. (Design—© Questel) orbit.com.[online PDF] 36 pgs.  
Print Dates Range Dec. 6, 2004 through Mar. 23, 2018 [Retrieved  
on Jan. 25, 2019] <https://sobjprd.questel.fr/export/QPTUJ214/pdf2/abe1c9d8-6356-4912-8d05-b05249704e76-213147.pdf>.\*

(Continued)

(73) Assignee: **NEC PLATFORMS, LTD.**,  
Kawasaki-Shi, Kanagawa (JP)

*Primary Examiner* — Susan Bennett Hattan

(74) *Attorney, Agent, or Firm* — Buchanan Ingersoll &  
Rooney PC

(\*\*) Term: **15 Years**

(57) **CLAIM**

(21) Appl. No.: **29/617,303**

The ornamental design for a telephone, as shown and  
described.

(22) Filed: **Sep. 13, 2017**

**DESCRIPTION**

(30) **Foreign Application Priority Data**

Apr. 17, 2017 (JP) ..... 2017-008191  
Apr. 17, 2017 (JP) ..... 2017-008196

(51) **LOC (11) Cl.** ..... **14-03**

(52) **U.S. Cl.**  
USPC ..... **D14/151**

(58) **Field of Classification Search**  
USPC ... D14/140, 140.1, 140.7, 140.8, 141.2, 142,  
D14/144, 147, 148, 149, 150, 151, 158,  
(Continued)

FIG. 1 is a front, right side, bottom perspective view of the  
first embodiment of a telephone showing our new design;  
FIG. 2 is a front elevational view of the first embodiment  
thereof;  
FIG. 3 is a rear elevational view of the first embodiment  
thereof;  
FIG. 4 is a left side view of the first embodiment thereof;  
FIG. 5 is a right side view of the first embodiment thereof;  
FIG. 6 is a top plan view of the first embodiment thereof;  
FIG. 7 is a bottom plan view of the first embodiment thereof;  
FIG. 8 is a reference front view of the first embodiment  
thereof, showing a state in which a receiver part detached  
from a main body;  
FIG. 9 is a front, right side, bottom perspective view of the  
second embodiment of a telephone showing our new design;  
FIG. 10 is a front elevational view of the second embodi-  
ment thereof;  
FIG. 11 is a rear elevational of the second embodiment view  
thereof;  
FIG. 12 is a left side view of the second embodiment thereof;

(Continued)

(56) **References Cited**

U.S. PATENT DOCUMENTS

D295,038 S \* 4/1988 Maliskas ..... D14/151  
5,121,427 A \* 6/1992 Gumb ..... H04M 1/0297  
379/419

(Continued)

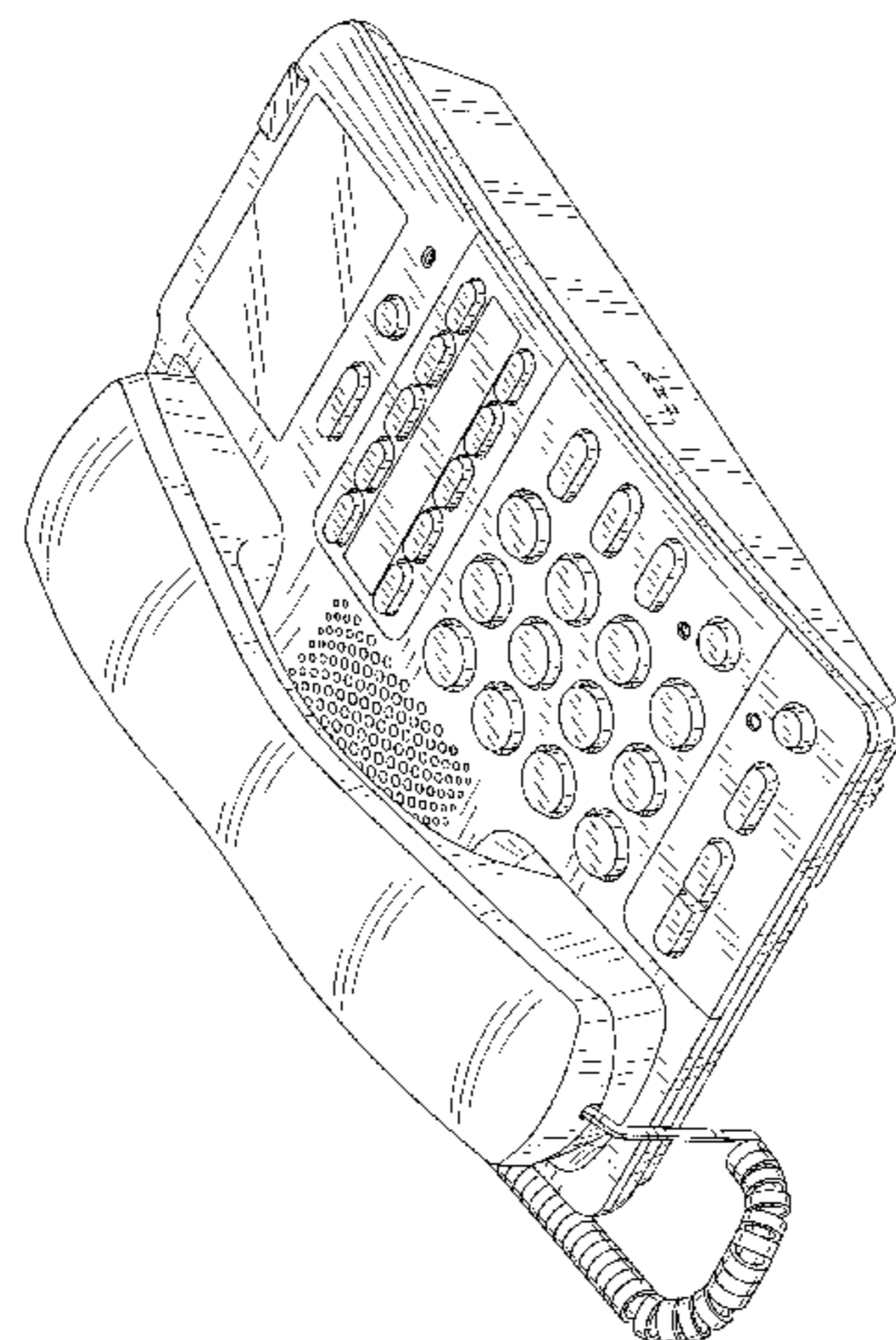
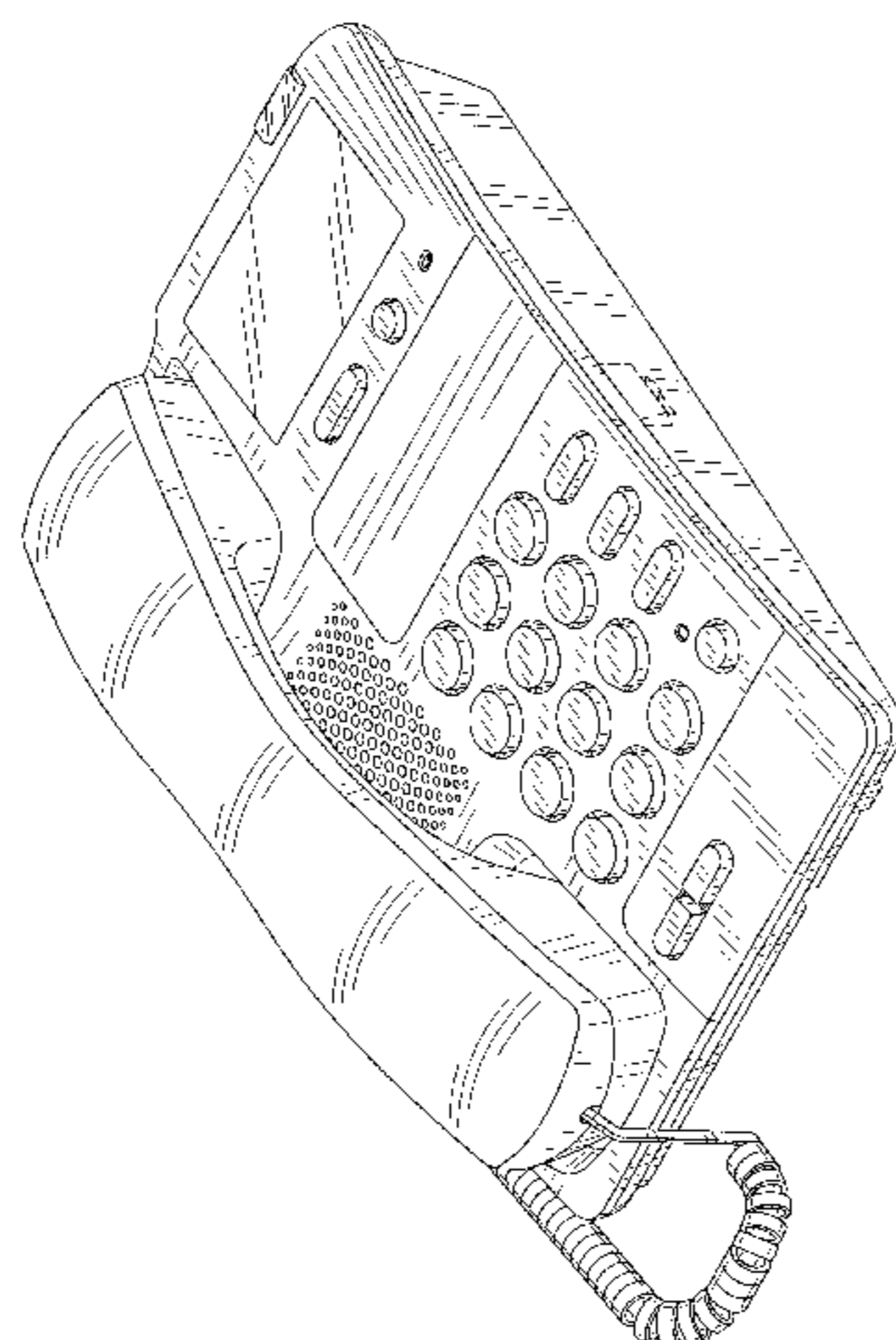


FIG. 13 is a right side view of the second embodiment thereof;

FIG. 14 is a top plan view of the second embodiment thereof;

FIG. 15 is a bottom plan view of the second embodiment thereof; and,

FIG. 16 is a reference front view of the second embodiment thereof, showing a state in which a receiver part detached from a main body.

The portions depicted by broken lines are shown for illustrative purposes only and form no part of the claimed design.

**1 Claim, 14 Drawing Sheets**

(58) **Field of Classification Search**

USPC ..... D14/159, 188, 217, 240, 243, 247, 248,  
D14/251, 299, 329, 462, 467, 471, 130;  
D21/517; D24/165

CPC ..... H04M 1/00; H04M 1/003; H04M 1/02;  
H04M 1/0289; H04M 1/0297; H04M  
1/0214; H04M 1/03; H04M 1/23; H04M  
1/253; H04M 1/2535; H04M 7/006

See application file for complete search history.

(56) **References Cited**

U.S. PATENT DOCUMENTS

5,131,034 A \* 7/1992 Read ..... H04M 1/0297  
379/435  
D330,028 S \* 10/1992 Gagnon ..... D14/144  
D356,087 S \* 3/1995 Jarrett ..... D14/151  
5,432,836 A \* 7/1995 Jarrett ..... H04M 1/0297  
379/435  
D366,484 S \* 1/1996 Levin ..... D14/151  
D368,091 S \* 3/1996 Yoshihiko ..... D14/151  
D372,912 S \* 8/1996 Yamada ..... D14/151  
D375,093 S \* 10/1996 Babbitt ..... D14/151  
D375,094 S \* 10/1996 Toh ..... D14/151  
D375,308 S \* 11/1996 Toh ..... D14/151  
D375,309 S \* 11/1996 Toh ..... D14/151  
D375,497 S \* 11/1996 Kuwajima ..... D14/151  
D384,347 S \* 9/1997 Hua ..... D14/151

D390,226 S \* 2/1998 Mak ..... D14/149  
5,862,214 A \* 1/1999 Aggus ..... H04M 1/02  
379/428.03  
D412,171 S \* 7/1999 Girardi ..... D14/151  
D432,108 S \* 10/2000 Isonaga ..... D14/151  
D442,158 S \* 5/2001 Isonaga ..... D13/108  
D457,509 S \* 5/2002 Ohwada ..... D14/151  
D481,699 S \* 11/2003 Jauregui ..... D14/151  
D481,700 S \* 11/2003 Jauregui ..... D14/151  
D482,341 S \* 11/2003 Jauregui ..... D14/151  
D490,795 S \* 6/2004 Watanabe ..... D14/151  
D493,441 S \* 7/2004 Sabick ..... D14/149  
D499,712 S \* 12/2004 Abe ..... D14/151  
D513,412 S \* 1/2006 Kodera ..... D14/151  
D529,477 S \* 10/2006 Hsu ..... D14/151  
D555,143 S \* 11/2007 Chou ..... D14/151  
D556,181 S \* 11/2007 Liu ..... D14/151  
D558,180 S \* 12/2007 Daly ..... D14/151  
D558,729 S \* 1/2008 Daly ..... D14/151  
D576,998 S \* 9/2008 Furuno ..... D14/151  
D577,706 S \* 9/2008 Andrews ..... D14/151  
D597,061 S \* 7/2009 Akatsu ..... D14/151  
D608,759 S \* 1/2010 Chun ..... D14/151  
D613,724 S \* 4/2010 Kao ..... D14/151  
D657,773 S \* 4/2012 Corsini ..... D14/151  
D676,411 S \* 2/2013 Taniguchi ..... D14/151  
D740,779 S \* 10/2015 Matsuura ..... D14/151  
D740,780 S \* 10/2015 Matsuura ..... D14/151  
D767,527 S \* 9/2016 Hillenmayer ..... D14/140.8  
D781,809 S \* 3/2017 Schwarz ..... D14/151  
D788,737 S \* 6/2017 Takei ..... D14/151  
2009/0161861 A1 \* 6/2009 Yoshida ..... H04M 1/0297  
379/436  
2013/0108037 A1 \* 5/2013 Chen ..... H04M 1/02  
379/446

OTHER PUBLICATIONS

Data Sheet NEC Analog Caller ID Telephones AT-50\_AT-55. [online pdf] 2 pgs. Copyright 2018. v.Sep. 26, 2018. [Retrieved on Jan. 28, 2019] <https://www.necam.com/docs/?id=61d3533f-a638-498d-9e58-2515a3a15164>.\*

Notice from JPO in corresponding Japanese Design Application No. 2017-008191 dated Aug. 18, 2017 and English translation.

Notice from JPO in corresponding Japanese Design Application No. 2017-008196 dated Aug. 18, 2017 and English translation.

\* cited by examiner

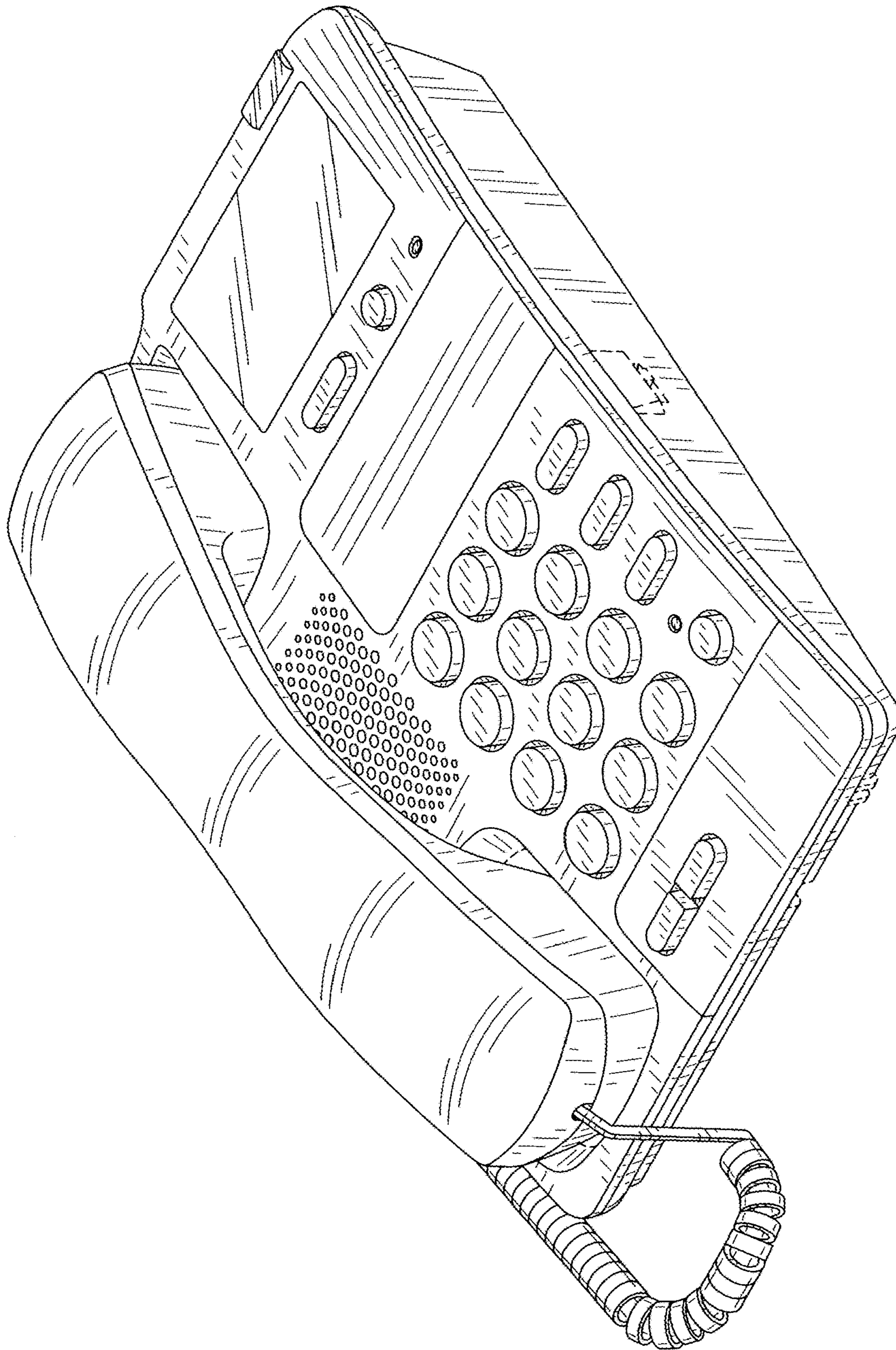


FIG. 1

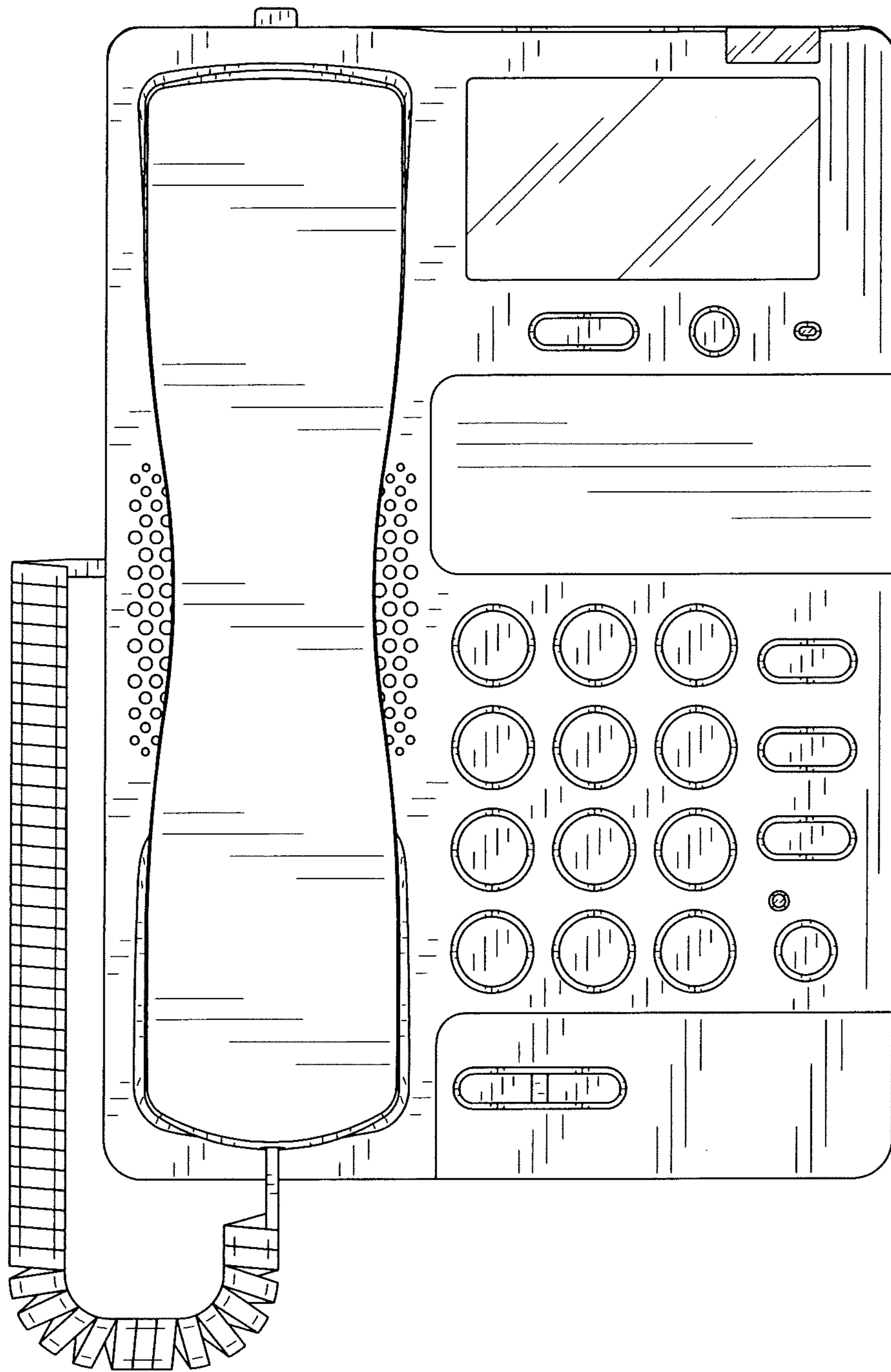


FIG. 2

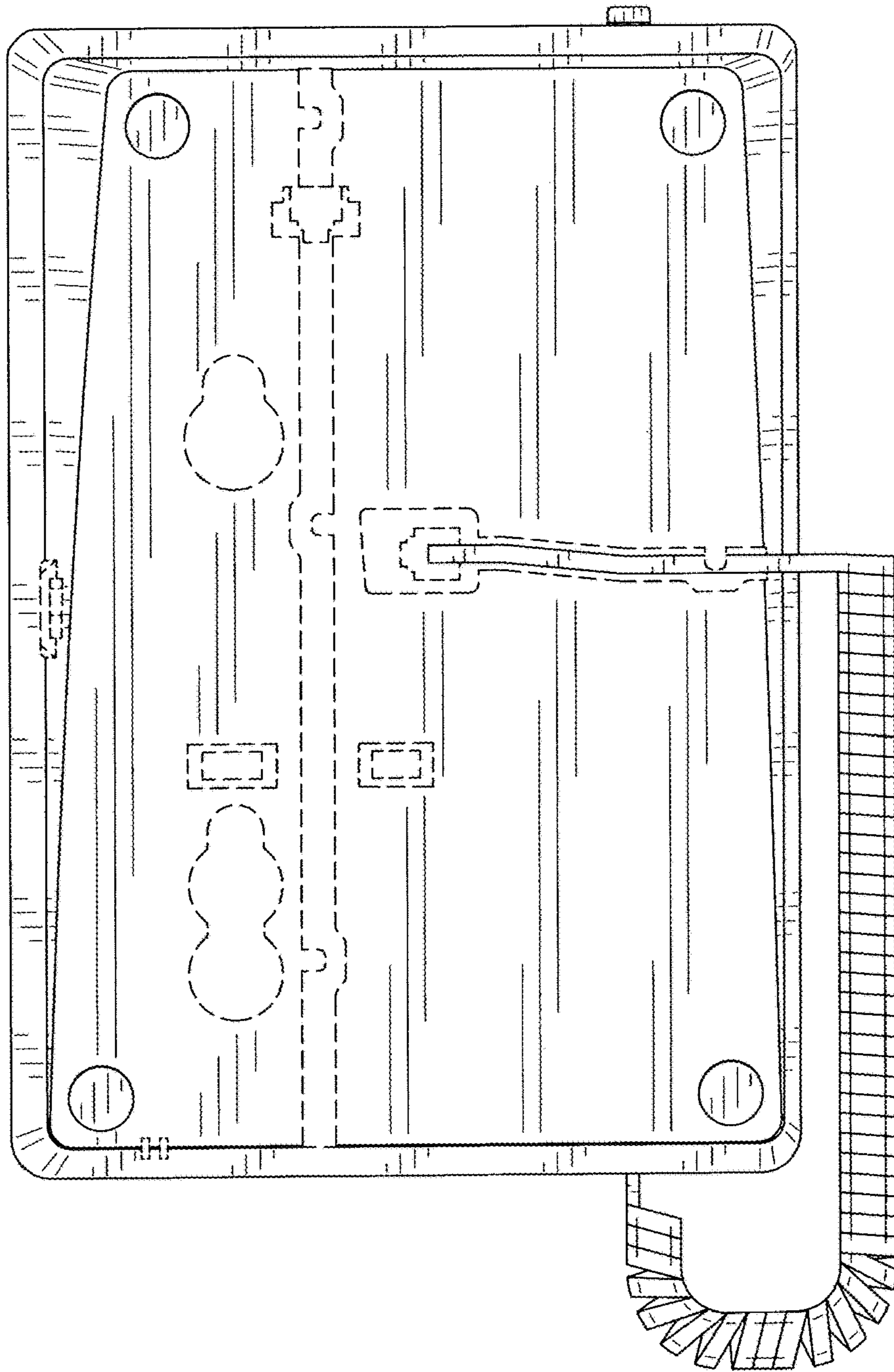
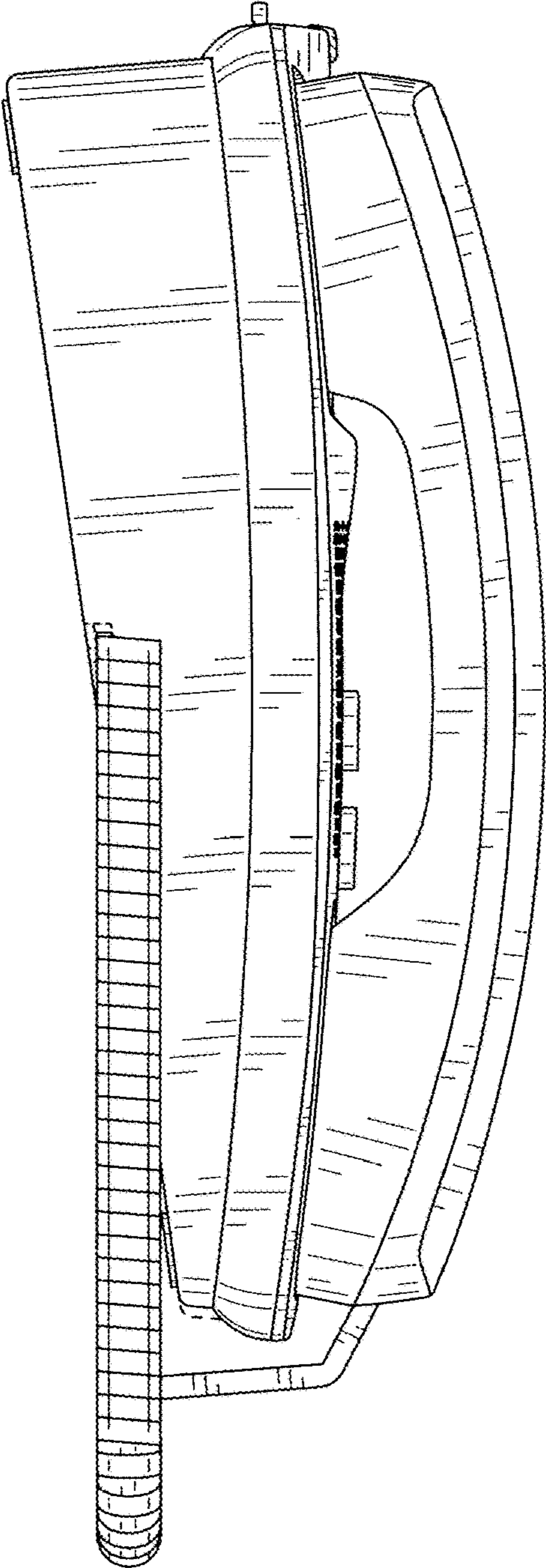
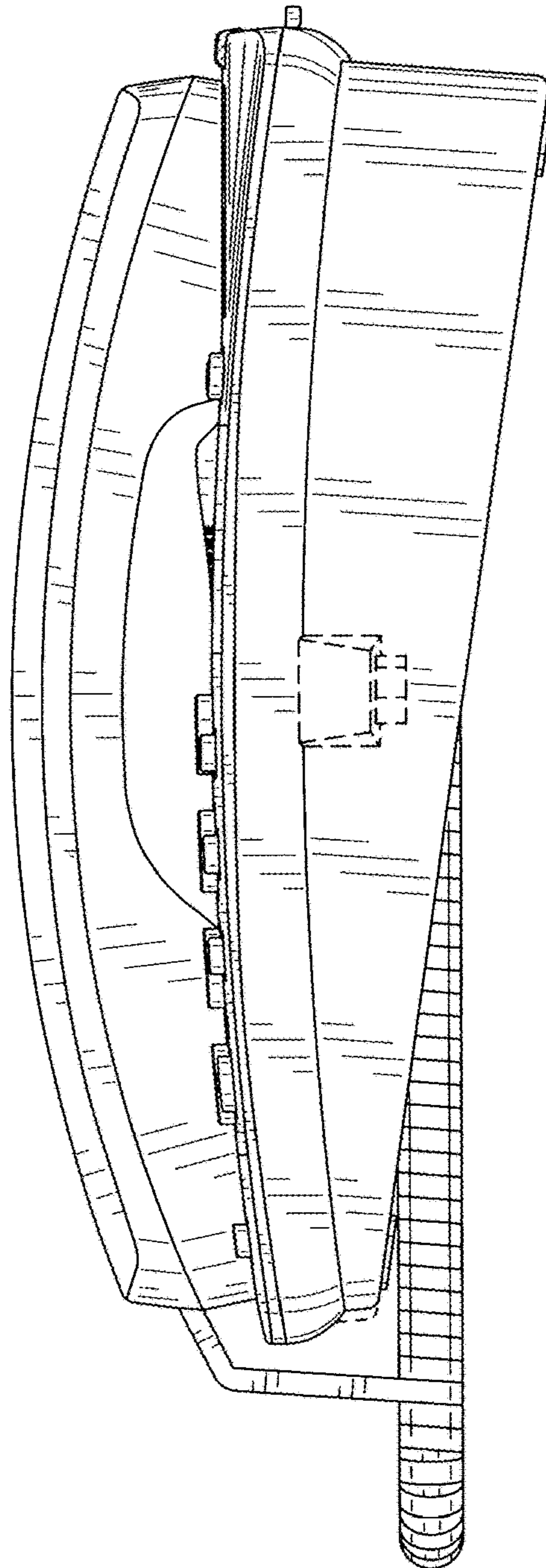


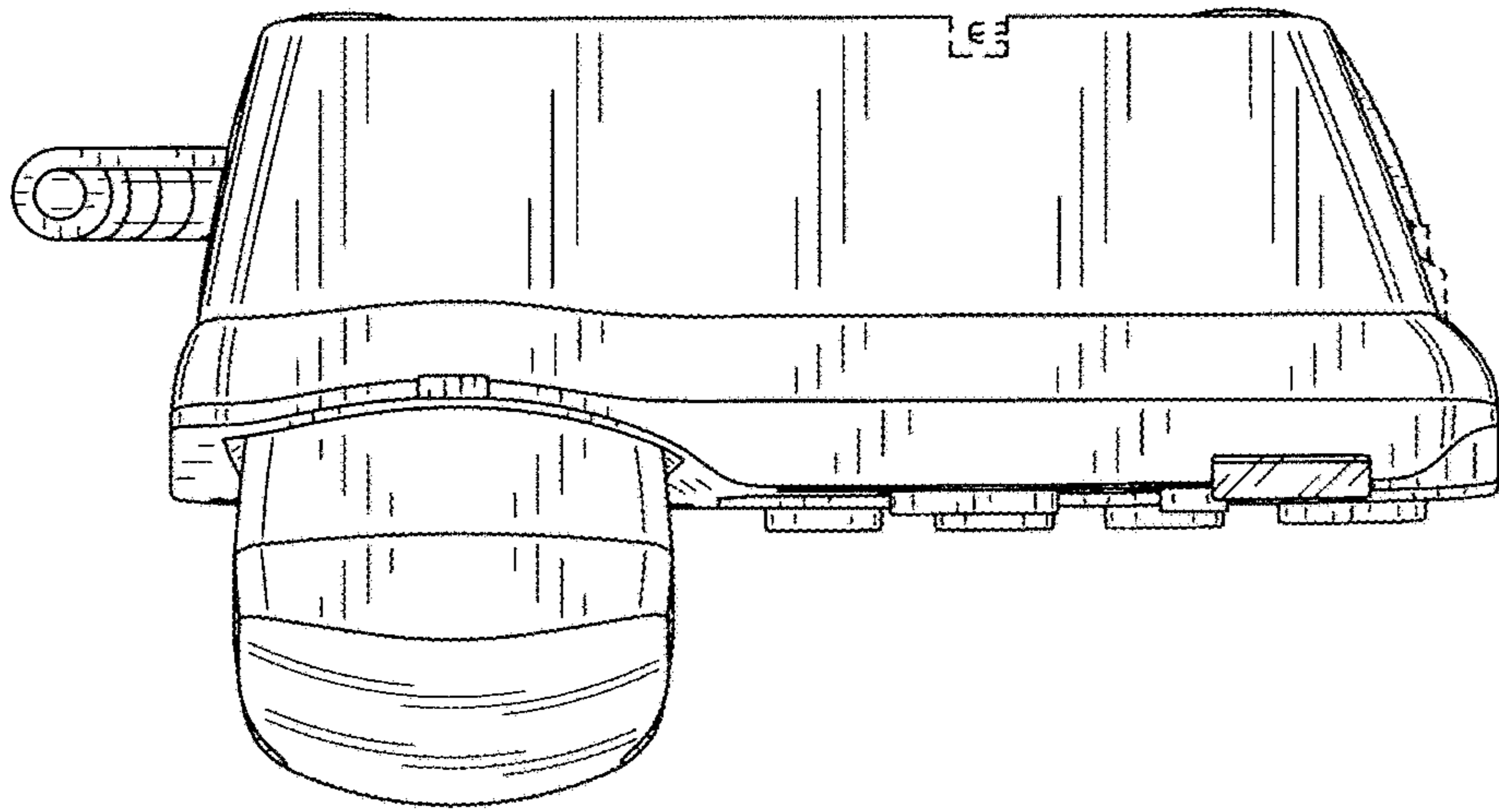
FIG. 3



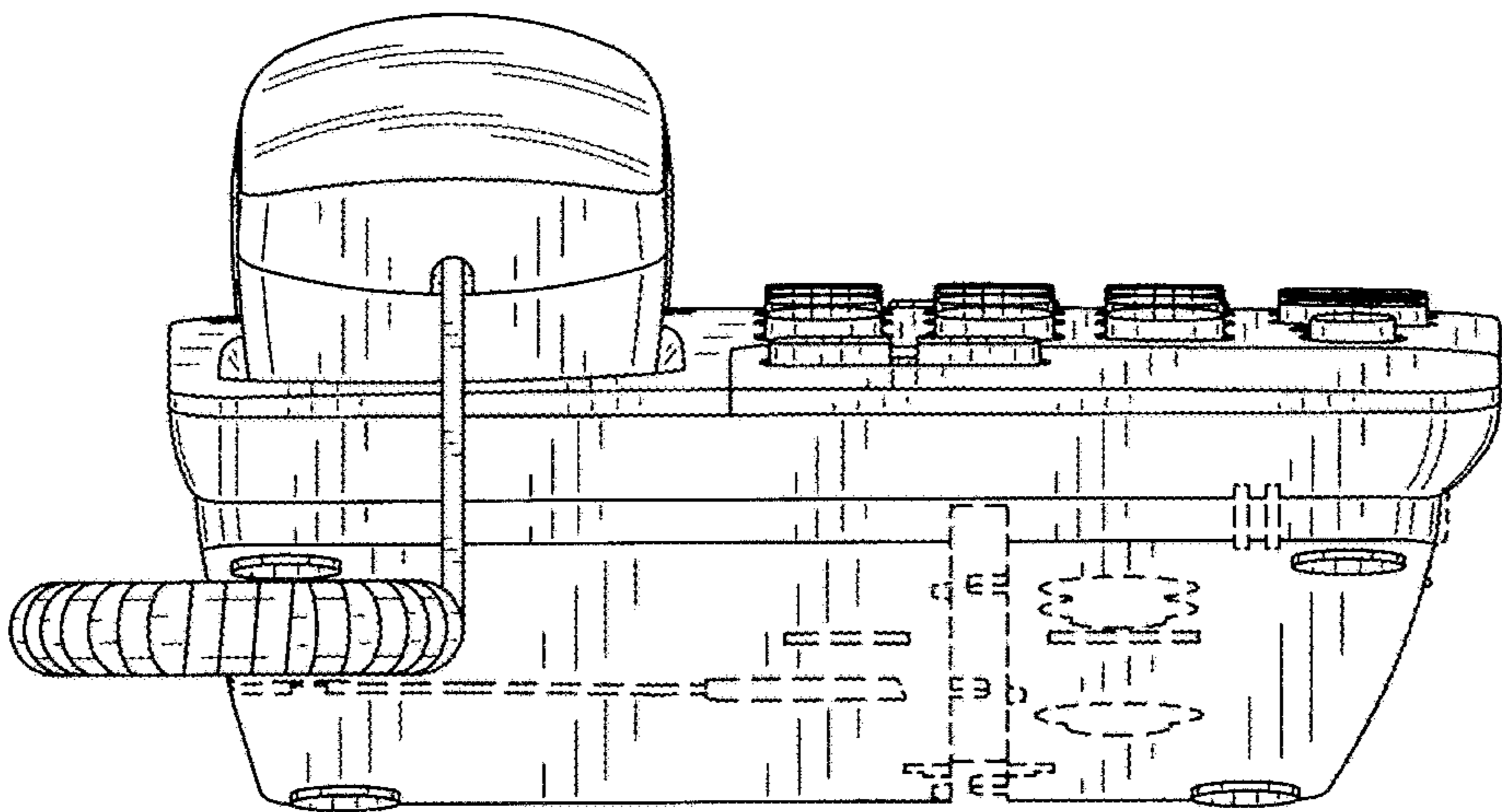
**FIG. 4**



**FIG. 5**



**FIG. 6**



**FIG. 7**



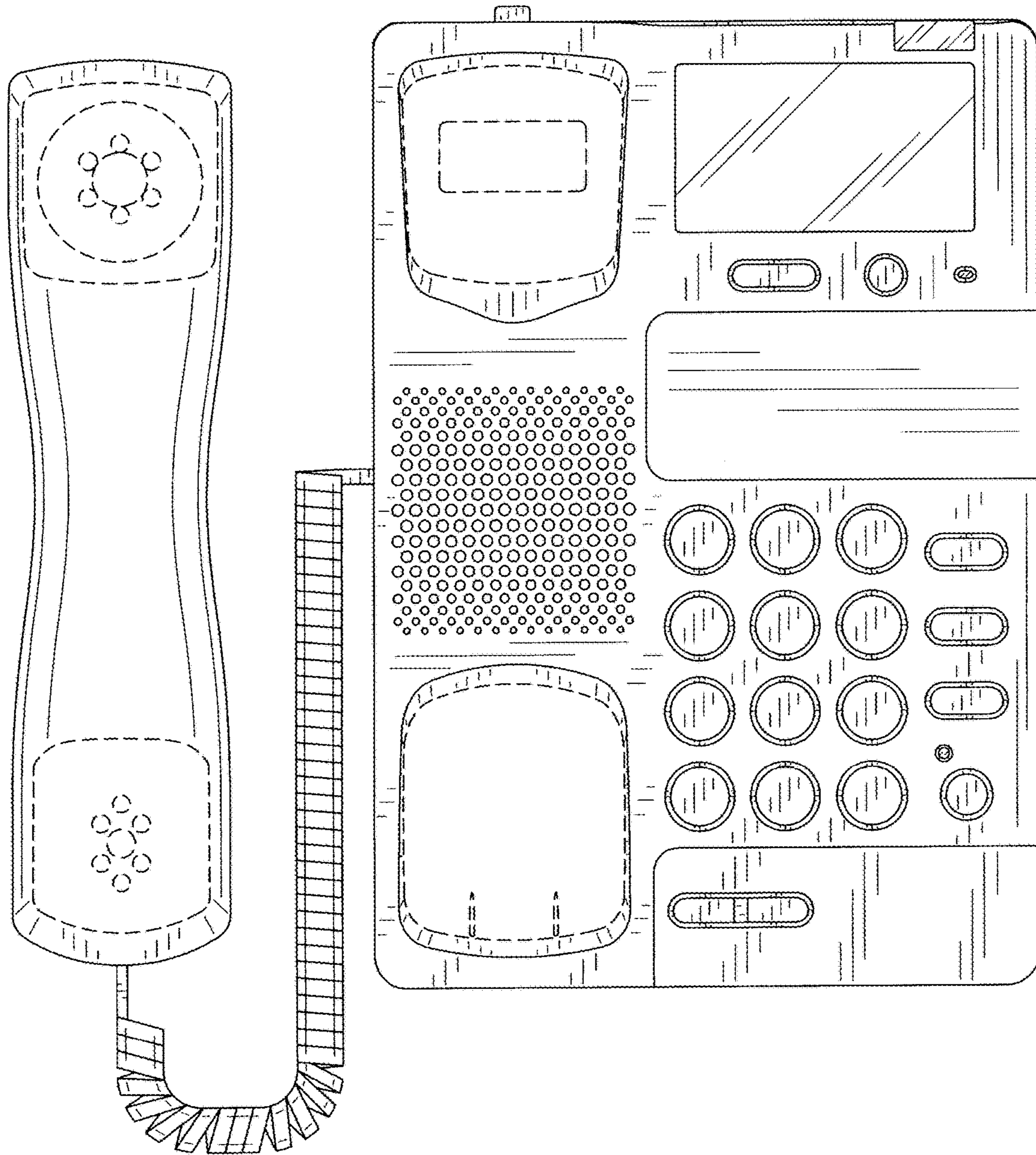


FIG. 8

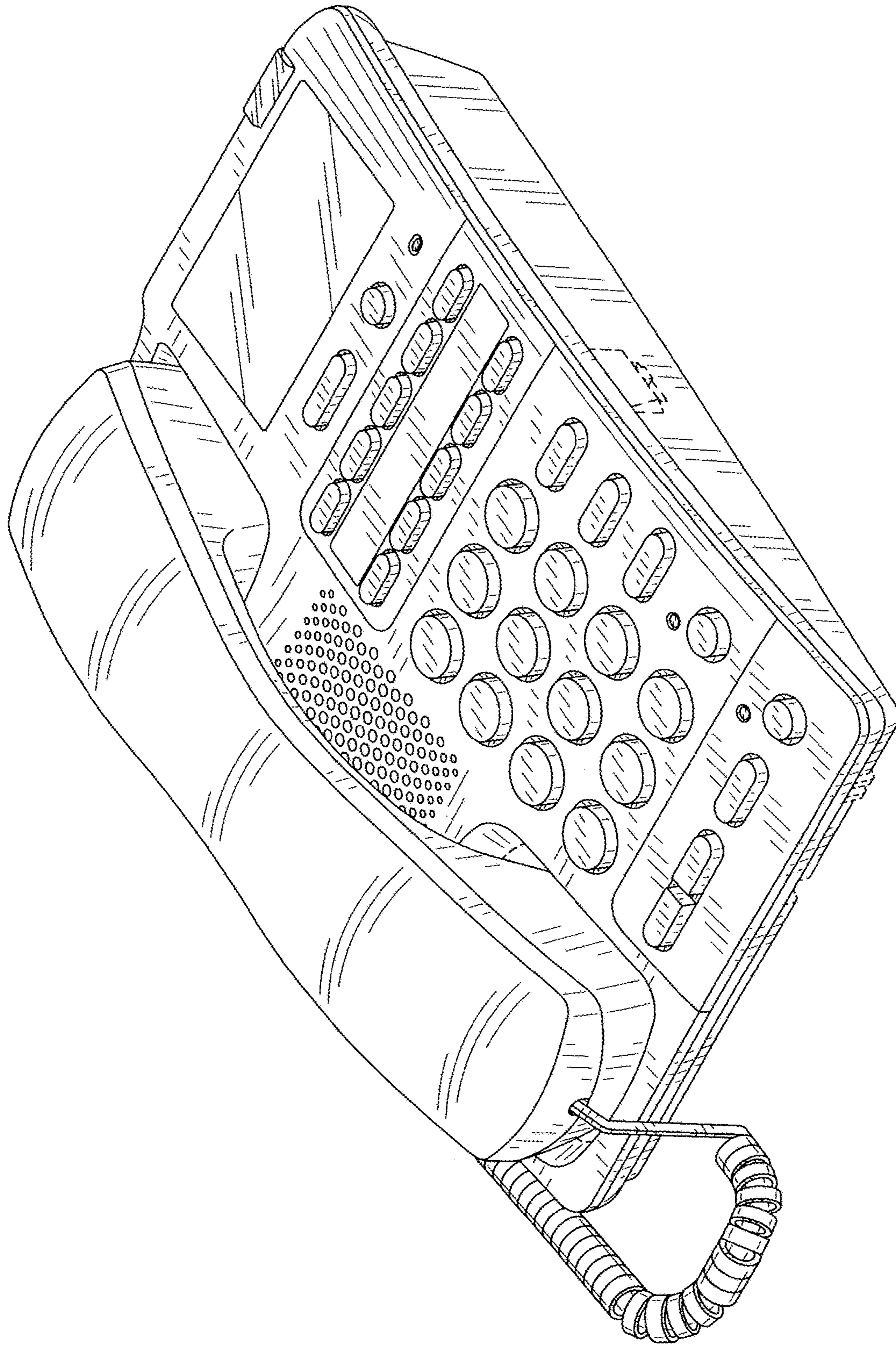


FIG. 9

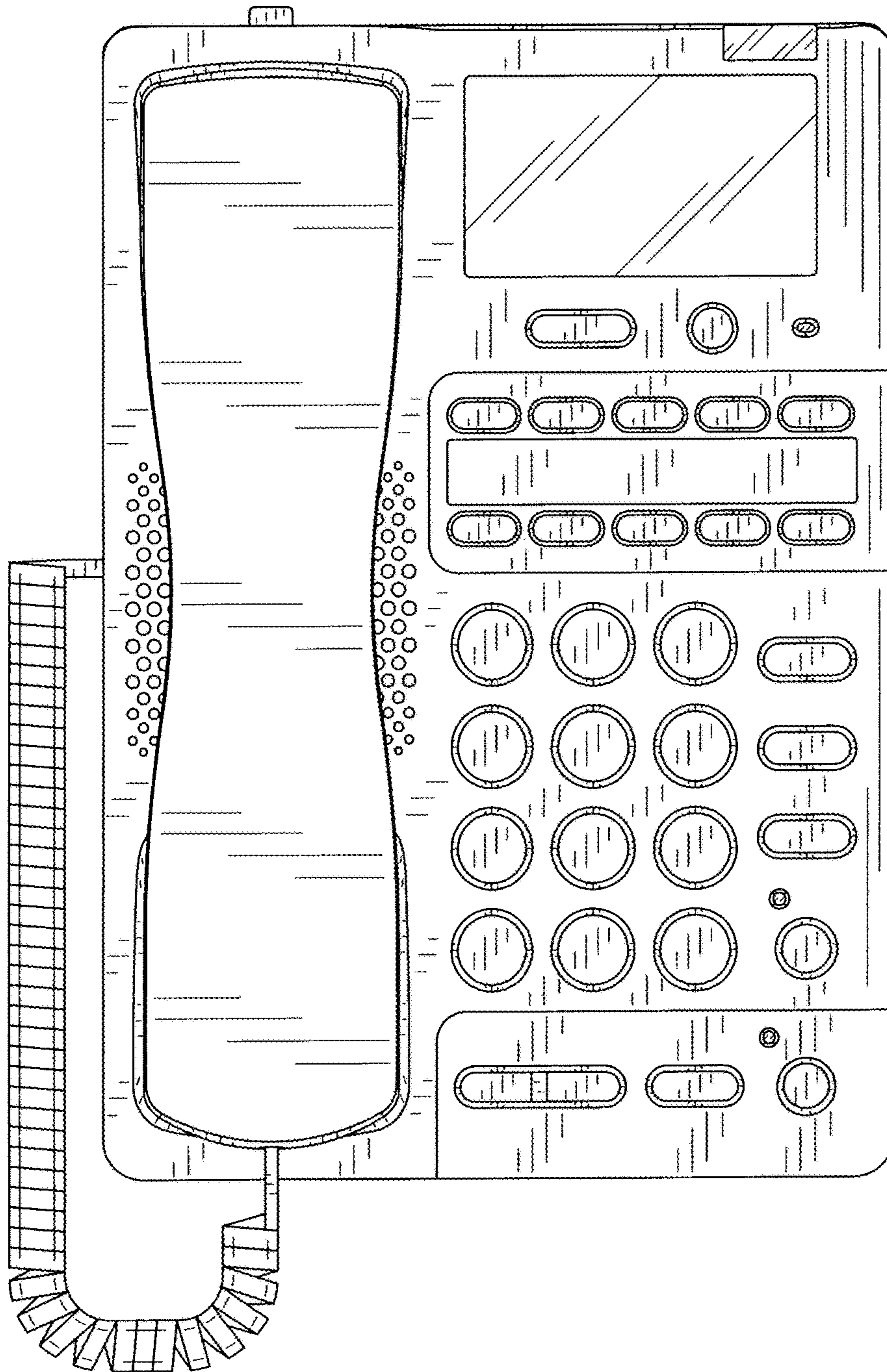


FIG. 10

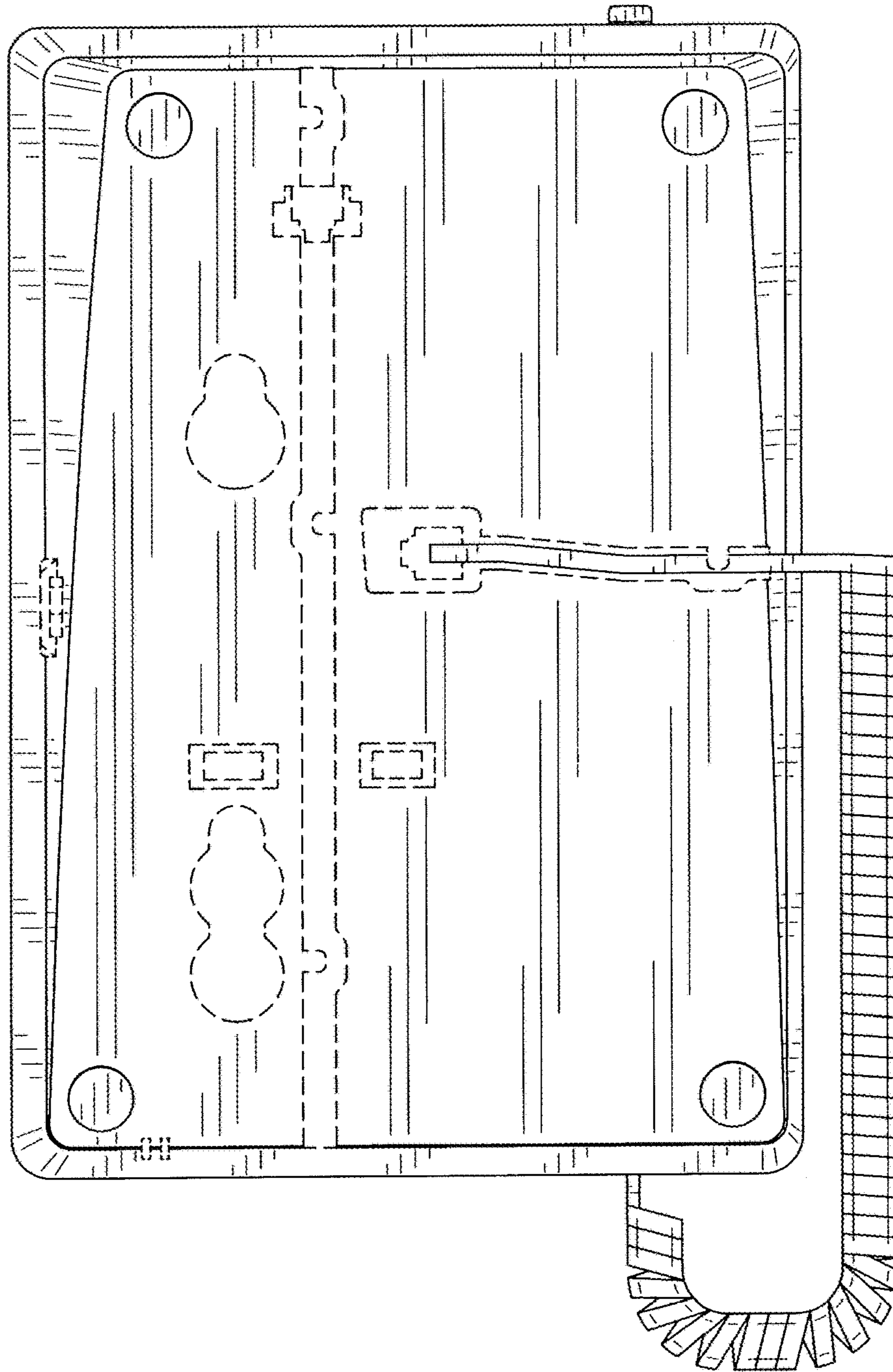
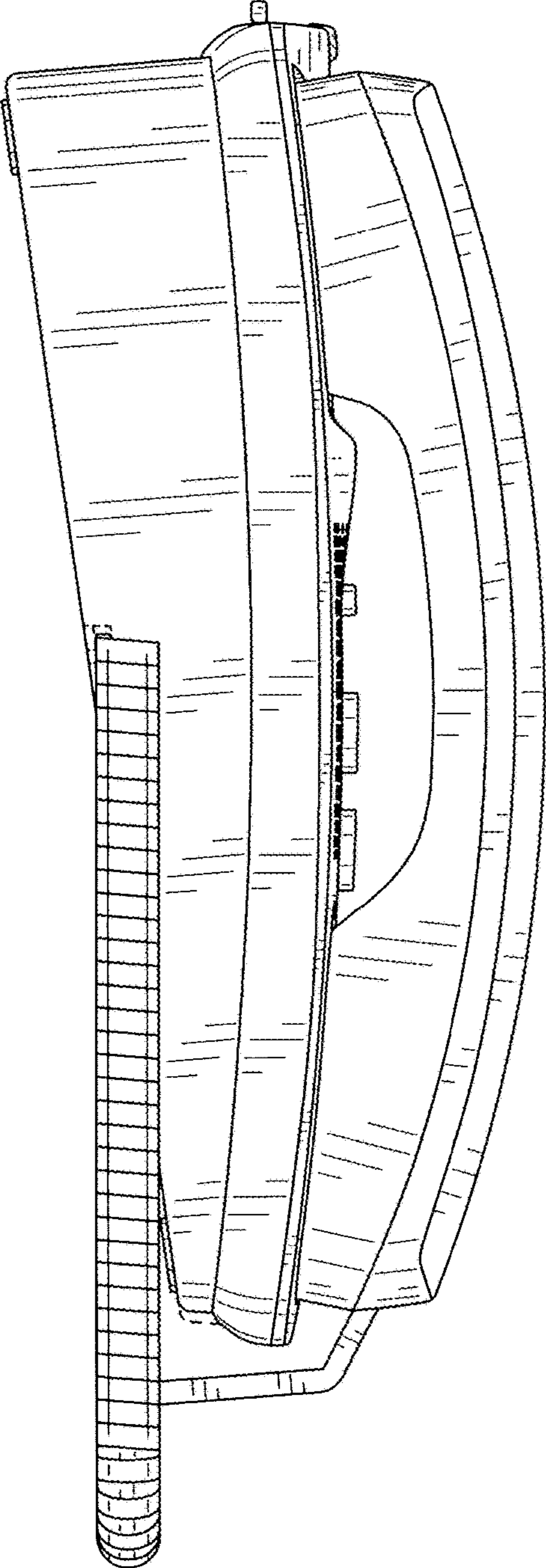
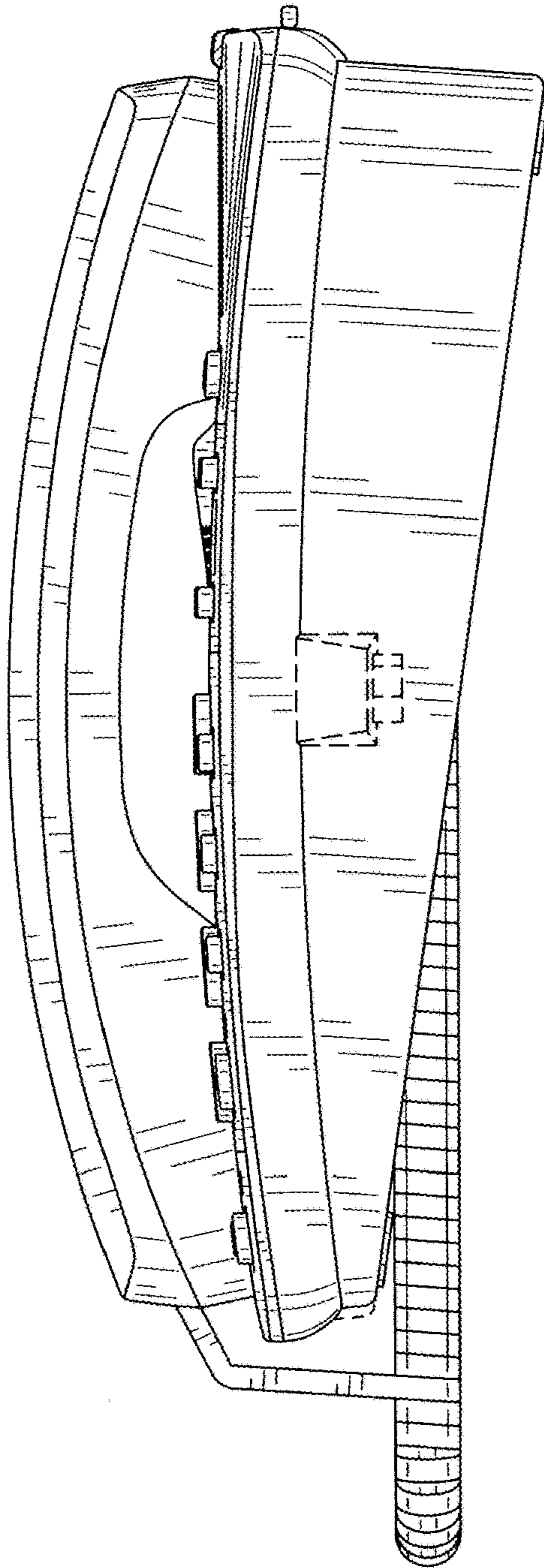


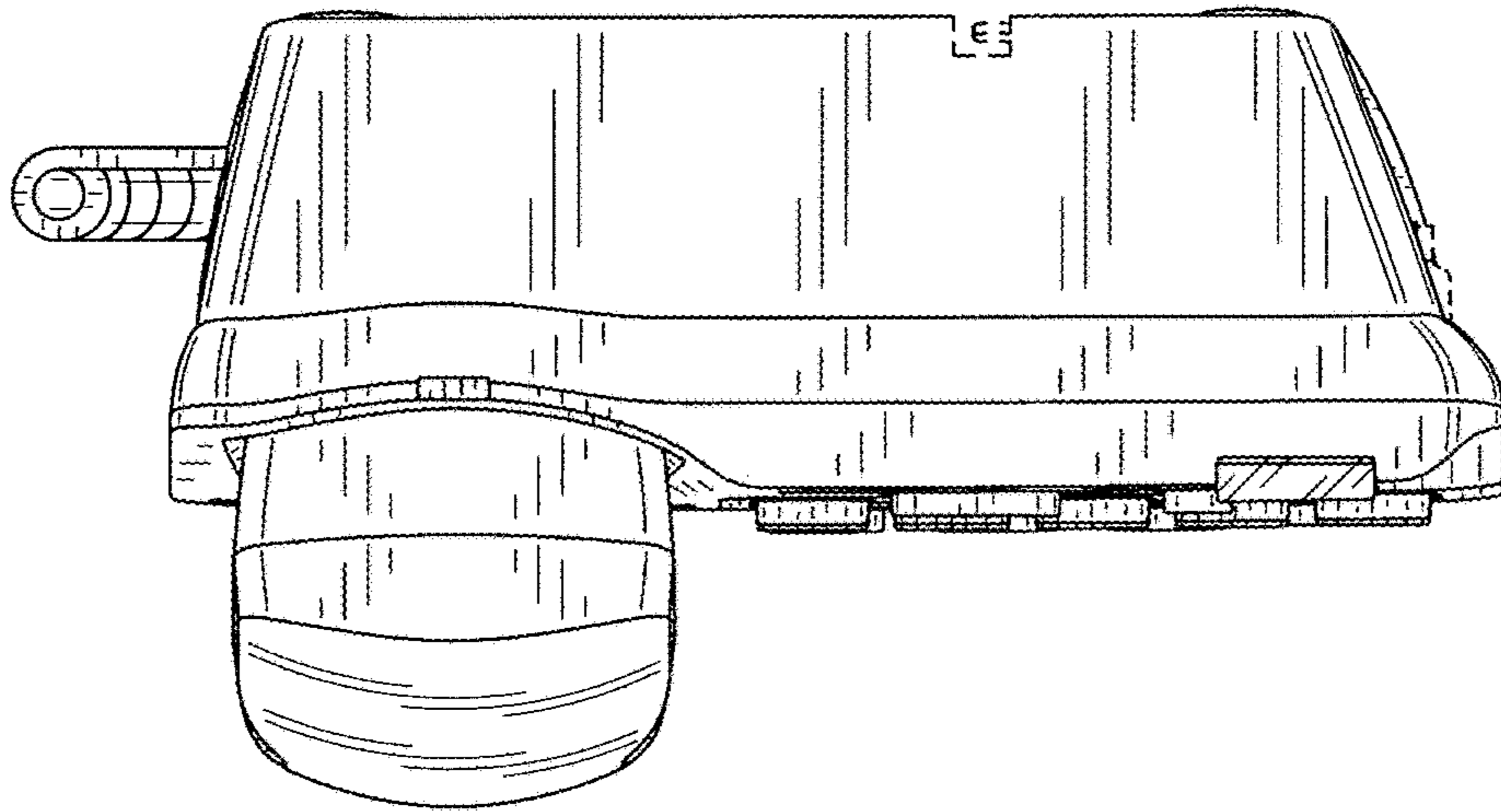
FIG. 11



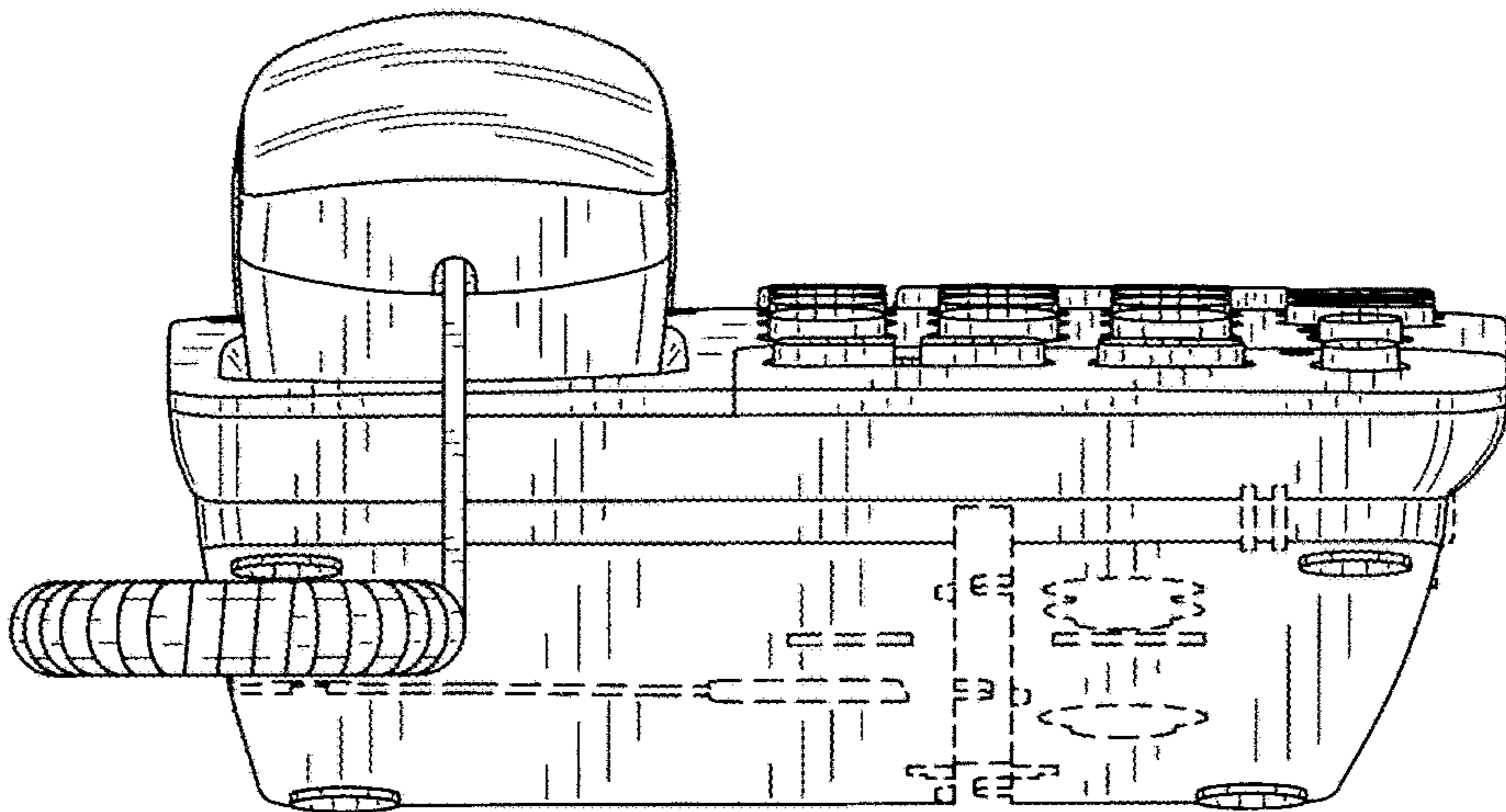
**FIG. 12**



**FIG. 13**



**FIG. 14**



**FIG. 15**

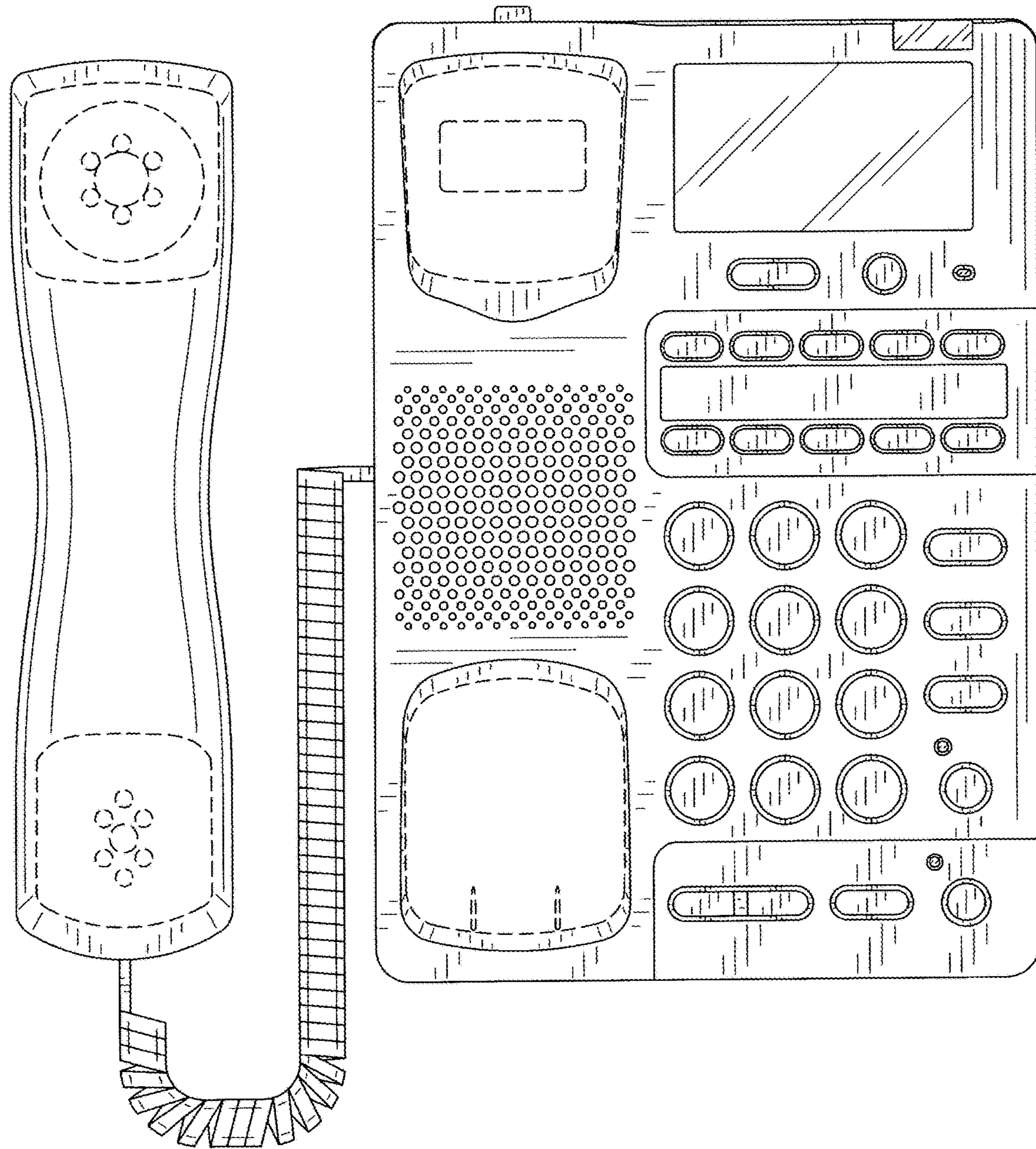


FIG. 16