



US00D853979S

(12) **United States Design Patent**
Kagaya et al.

(10) **Patent No.:** **US D853,979 S**
(45) **Date of Patent:** **** Jul. 16, 2019**

(54) **REACTION TUBE**

(71) Applicant: **Hitachi Kokusai Electric Inc.**, Tokyo (JP)

(72) Inventors: **Toru Kagaya**, Tokyo (JP); **Shinya Ebata**, Tokyo (JP); **Yusaku Okajima**, Tokyo (JP); **Hiroaki Hiramatsu**, Tokyo (JP)

(73) Assignee: **KOKUSAI ELECTRIC CORPORATION**, Tokyo (JP)

(**) Term: **15 Years**

(21) Appl. No.: **29/649,496**

(22) Filed: **May 30, 2018**

(30) **Foreign Application Priority Data**

Dec. 27, 2017 (JP) 2017-029309

(51) **LOC (11) Cl.** **13-03**

(52) **U.S. Cl.**
USPC **D13/182**

(58) **Field of Classification Search**
USPC D13/182
CPC H01L 21/67098; H01L 21/67103; H01L 21/67109; H01L 21/67115; C23C 16/455; C23C 16/45502; C23C 16/45504; C23C 16/45506; C23C 16/45508; C23C 16/4551; C23C 16/4586; C23C 16/4587; C23C 16/46; C23C 16/463; C23C 16/466
See application file for complete search history.

(56) **References Cited**

U.S. PATENT DOCUMENTS

4,950,870 A * 8/1990 Mitsuhashi C30B 25/10
219/390
5,618,349 A * 4/1997 Yuuki C23C 16/4412
118/715
D404,368 S * 1/1999 Shimazu D13/182

D405,062 S * 2/1999 Shimazu D13/182
D405,429 S * 2/1999 Hanagata D13/182
D405,431 S * 2/1999 Shimazu D13/182
D406,113 S * 2/1999 Hanagata D13/182
5,948,300 A * 9/1999 Gero C30B 25/14
118/725
5,968,593 A * 10/1999 Sakamoto H01L 21/67109
118/715
D417,438 S * 12/1999 Matsushima D13/182
D423,463 S * 4/2000 Hanagata D13/182
D424,024 S * 5/2000 Hanagata D13/182
6,251,189 B1 * 6/2001 Otake C23C 16/44
118/715
D521,464 S * 5/2006 Ishii D13/182
(Continued)

OTHER PUBLICATIONS

Design U.S. Appl. No. 29/635,262, filed Jan. 30, 2018.

Primary Examiner — Elizabeth J Oswecki

(74) *Attorney, Agent, or Firm* — Fitch, Even, Tabin & Flannery, LLP

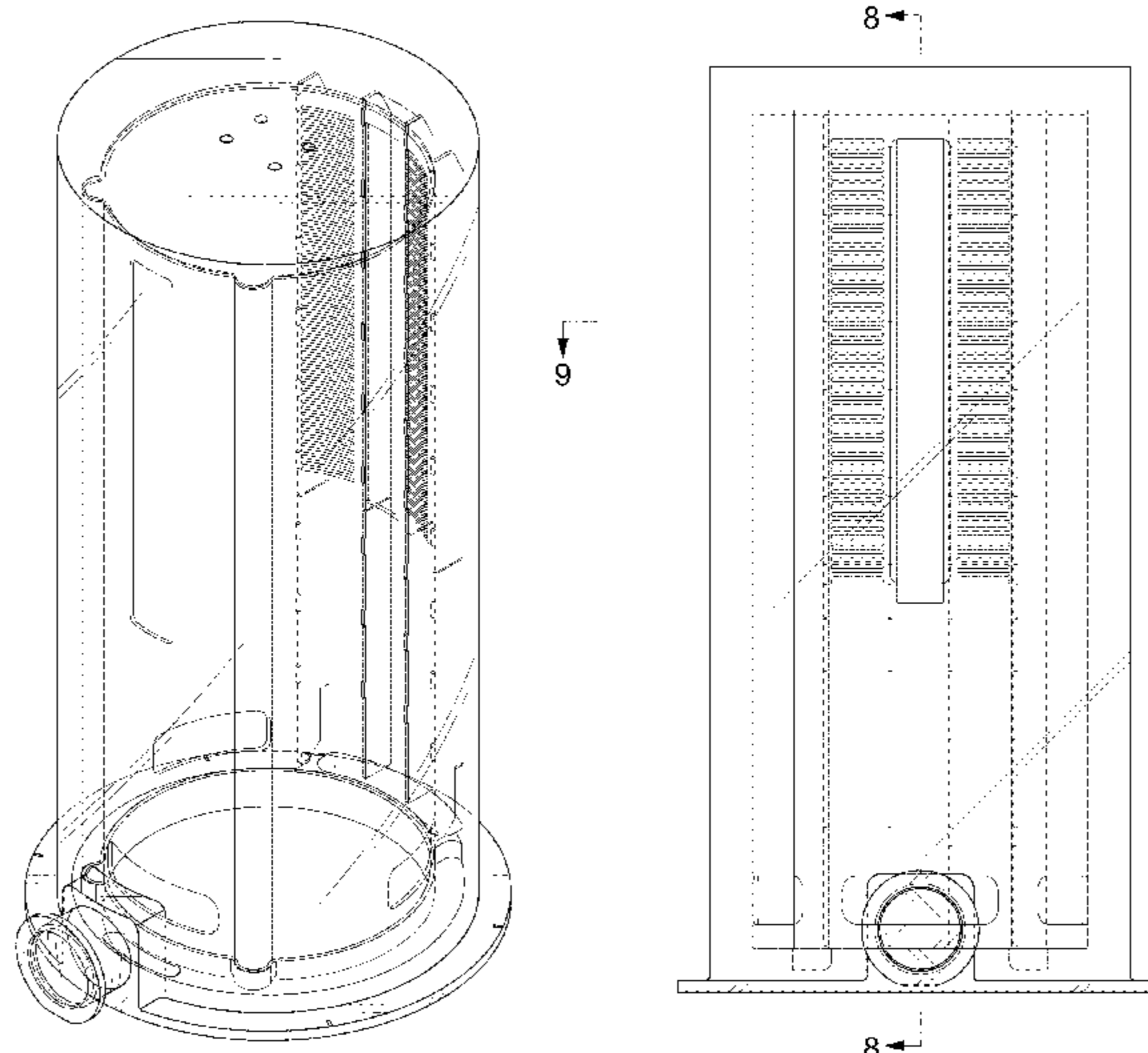
(57) **CLAIM**

The ornamental design for a reaction tube, as shown and described.

DESCRIPTION

FIG. 1 is a front, top and right side perspective view of a reaction tube showing our new design;
FIG. 2 is a front elevational view thereof;
FIG. 3 is a rear elevational view thereof;
FIG. 4 is a right side elevational view thereof;
FIG. 5 is a left side elevational view thereof;
FIG. 6 is a top plan view thereof;
FIG. 7 is a bottom plan view thereof;
FIG. 8 is a cross-sectional view take along line 8-8 in FIG. 2 thereof; and,
FIG. 9 is a cross-sectional view take along line 9-9 in FIG. 2.

1 Claim, 8 Drawing Sheets



(56)

References Cited

U.S. PATENT DOCUMENTS

D521,465	S *	5/2006	Ishii	D13/182
7,311,520	B2 *	12/2007	Saito	H01L 21/67109 118/725
D586,768	S *	2/2009	Inoue	D13/182
D590,359	S *	4/2009	Kaneko	D13/182
D600,659	S *	9/2009	Matsuura	D13/182
D610,559	S *	2/2010	Okada	D13/182
D611,013	S *	3/2010	Takahashi	D13/182
D618,638	S *	6/2010	Nakashima	D13/182
D698,641	S *	2/2014	Theisen	D9/418
D711,843	S *	8/2014	Yamazaki	D13/182
D719,114	S *	12/2014	Yamazaki	D13/182
D720,308	S *	12/2014	Kaneko	D13/182
D724,551	S *	3/2015	Kaneko	D13/182
D725,055	S *	3/2015	Yamazaki	D13/182
D739,832	S *	9/2015	Yamazaki	D13/182
9,460,946	B2 *	10/2016	Murata	C23C 16/46
D770,993	S *	11/2016	Yoshida	D13/182
D772,824	S *	11/2016	Yoshida	D13/182
D778,457	S *	2/2017	Hara	D24/224
D778,458	S *	2/2017	Tateno	D24/224
D791,090	S *	7/2017	Yoshida	D13/182
9,748,125	B2 *	8/2017	Wu	H01L 21/673
D800,080	S *	10/2017	Nagata	D13/182
2001/0050054	A1 *	12/2001	Kwag	C23C 16/4412 118/715
2002/0014483	A1 *	2/2002	Suzuki	H01L 21/67109 219/486

* cited by examiner

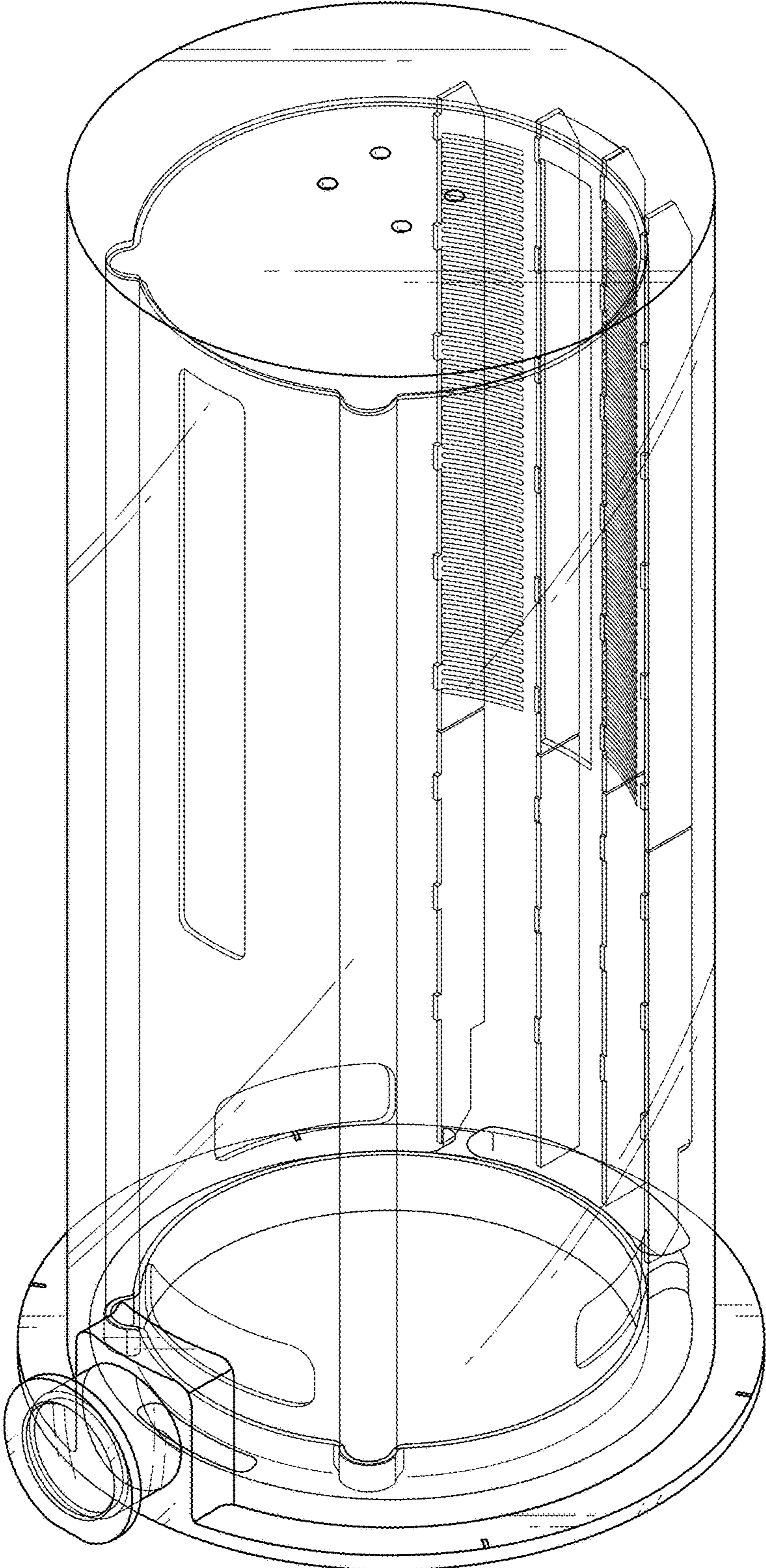


FIG. 1

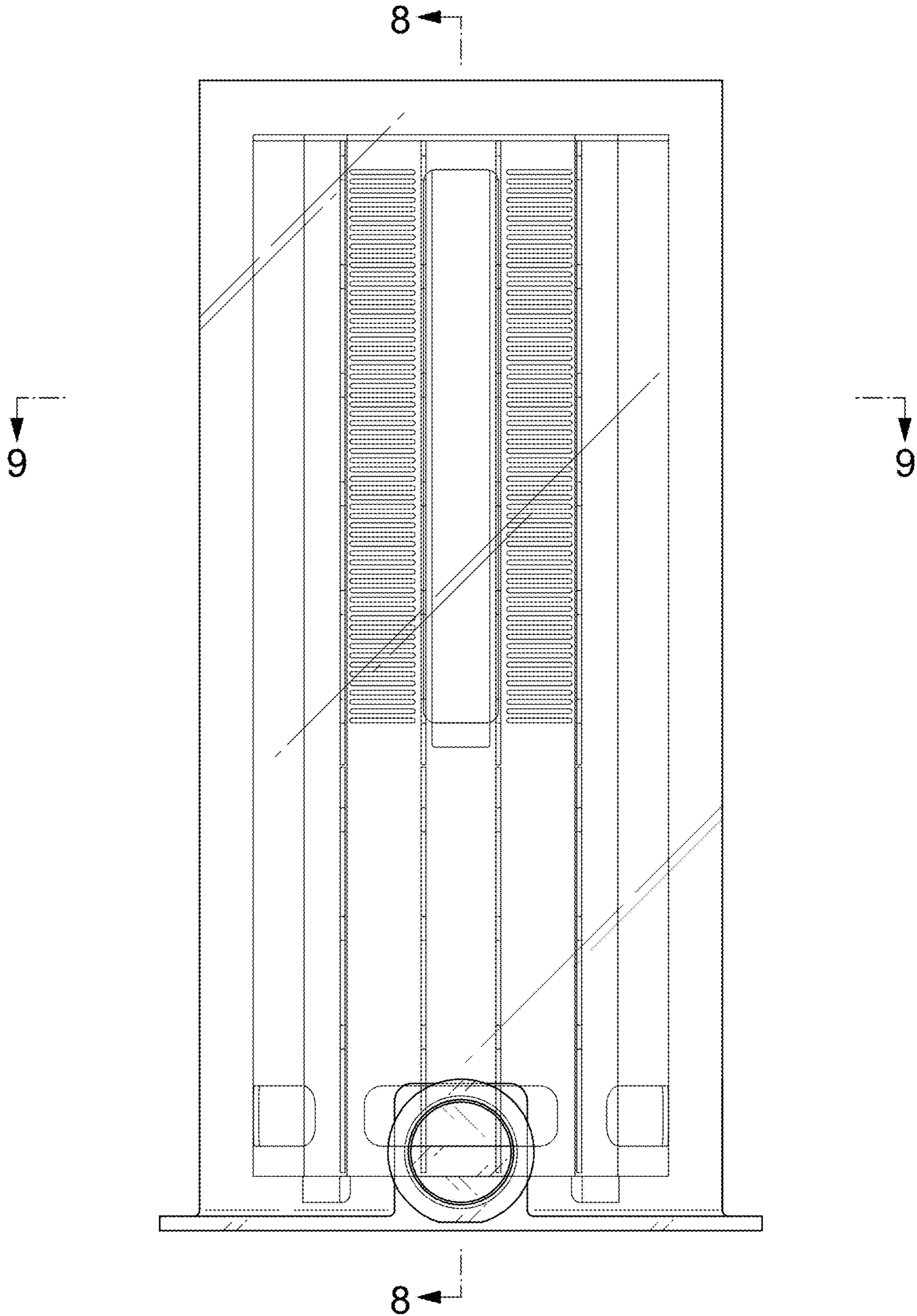


FIG. 2

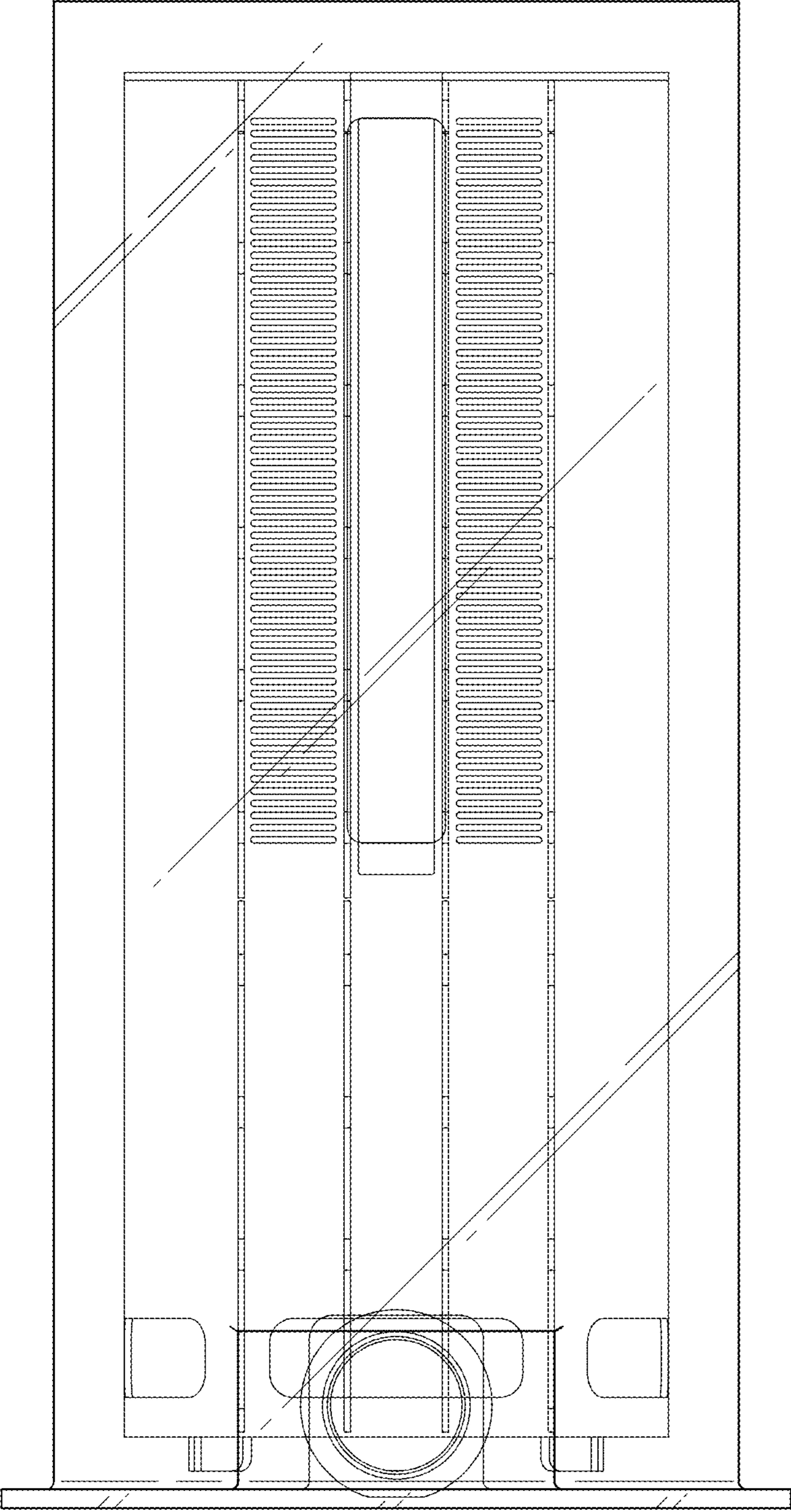


FIG. 3

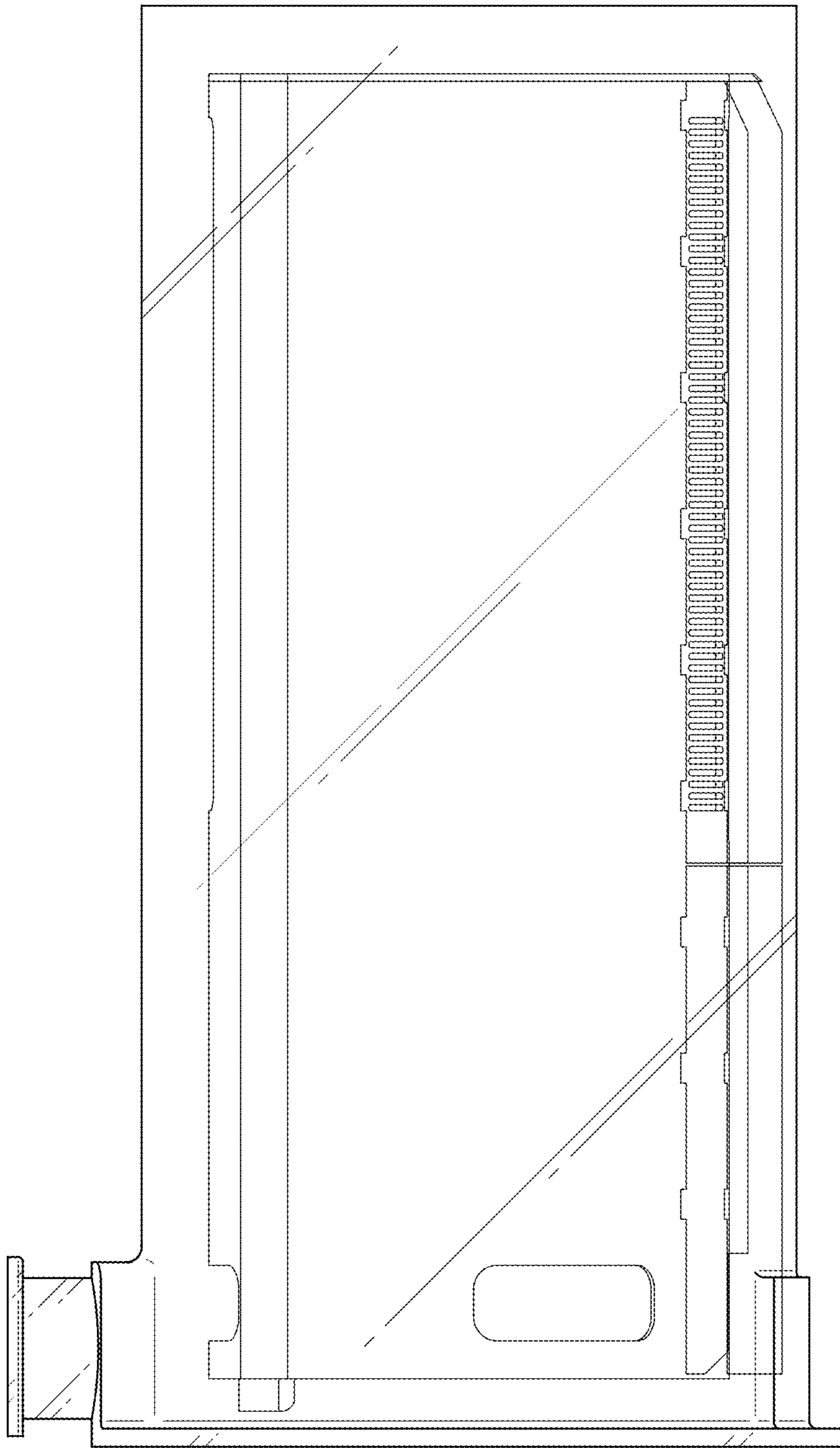


FIG. 4

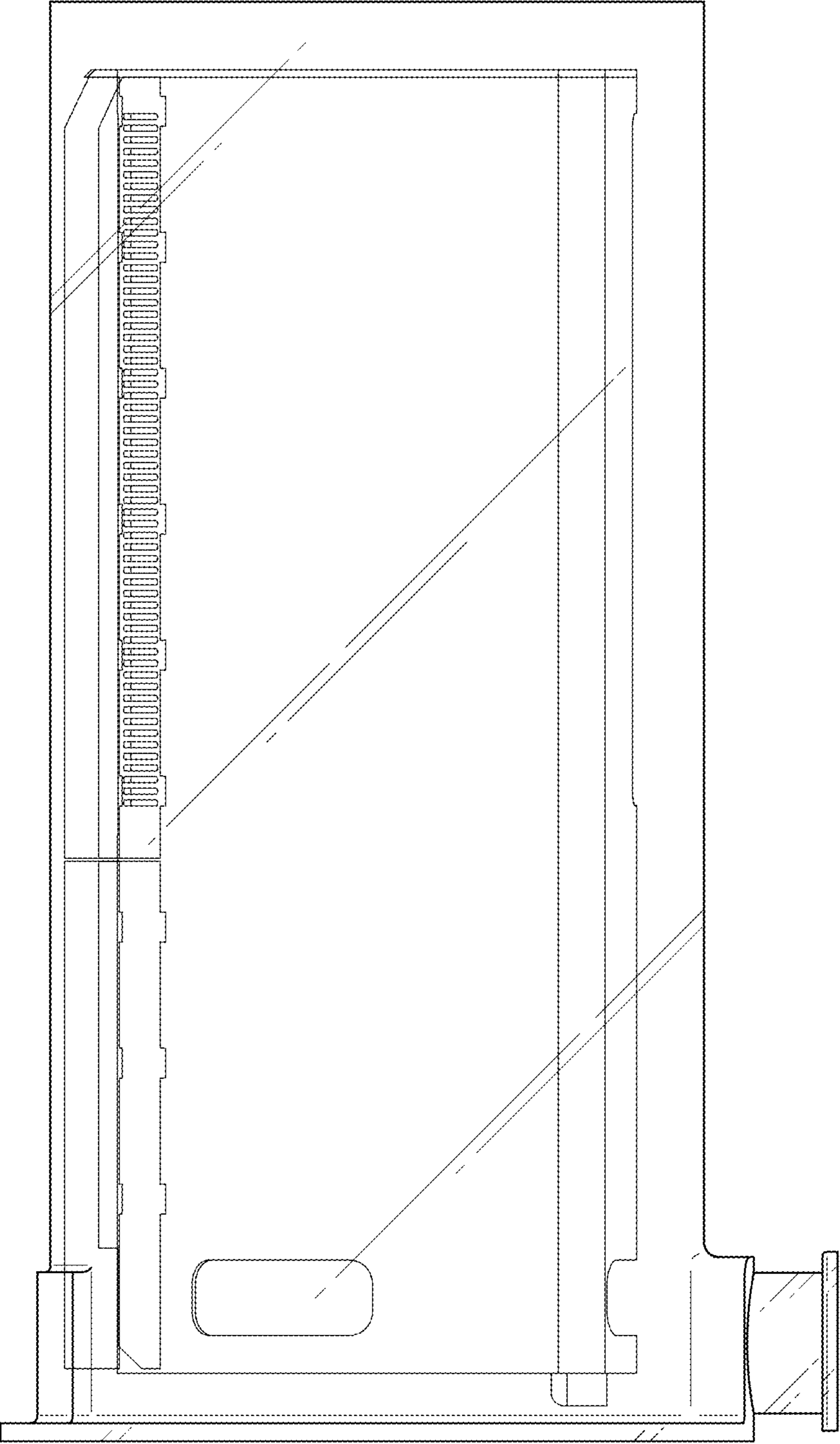


FIG. 5

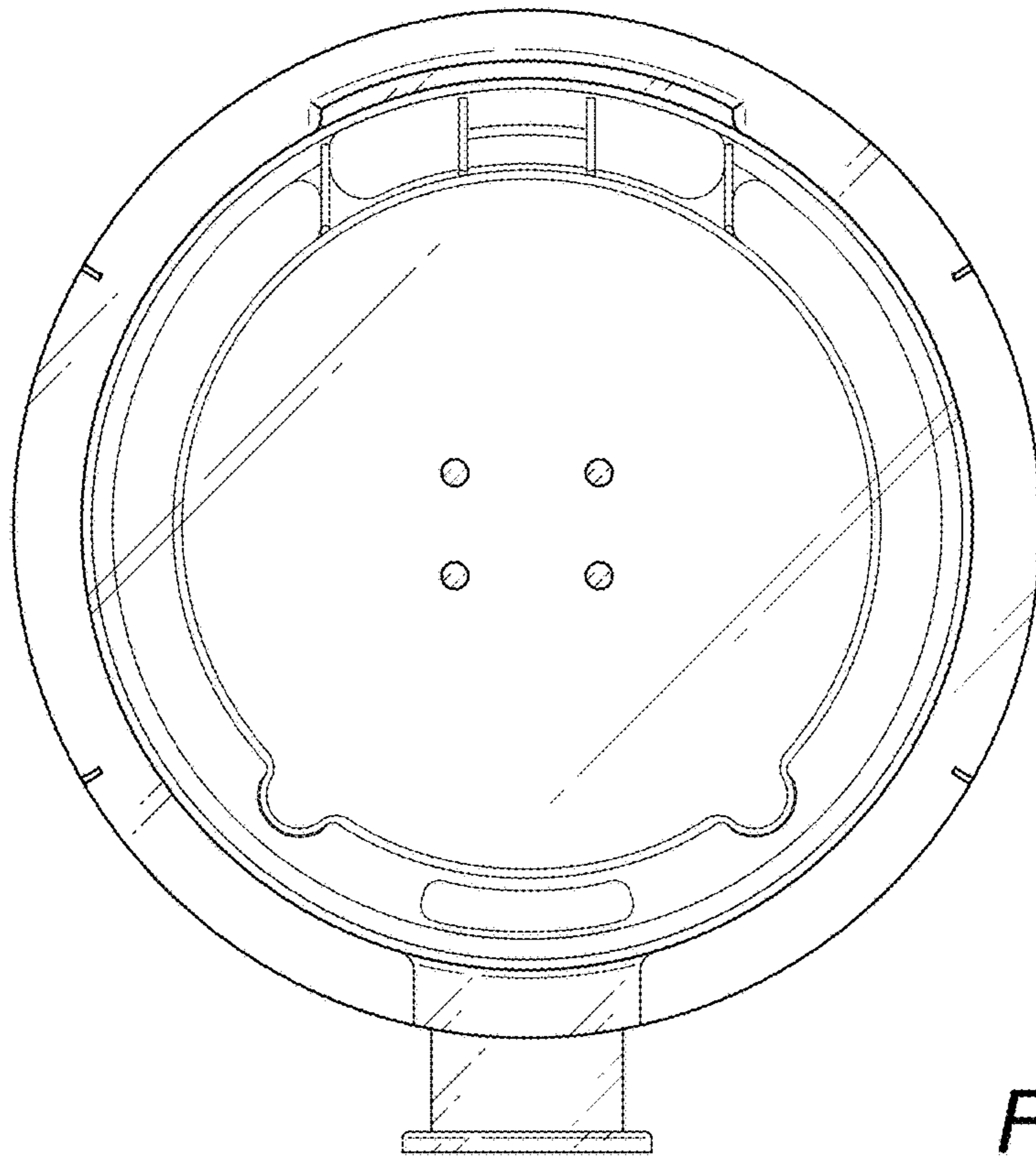


FIG. 6

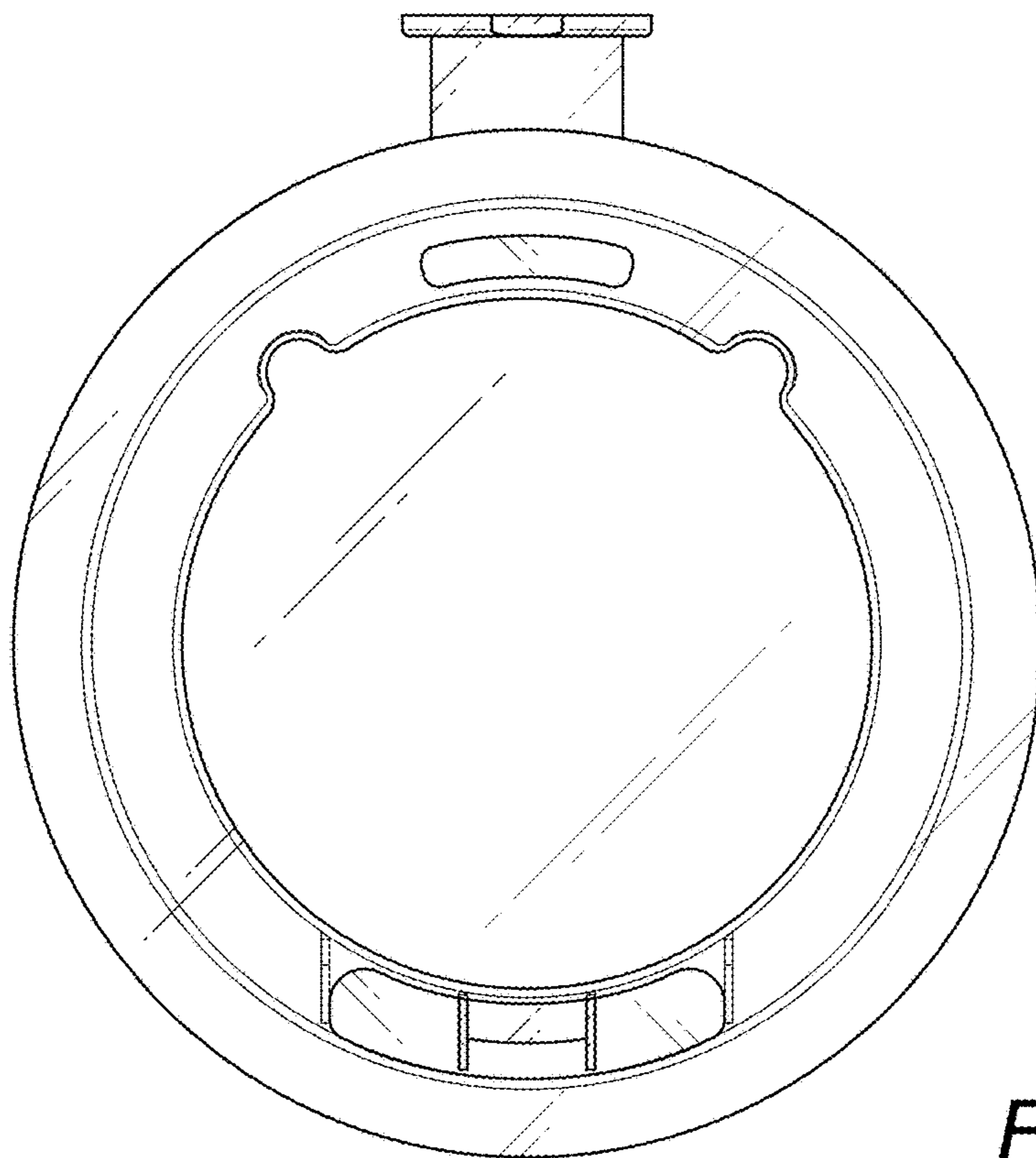


FIG. 7

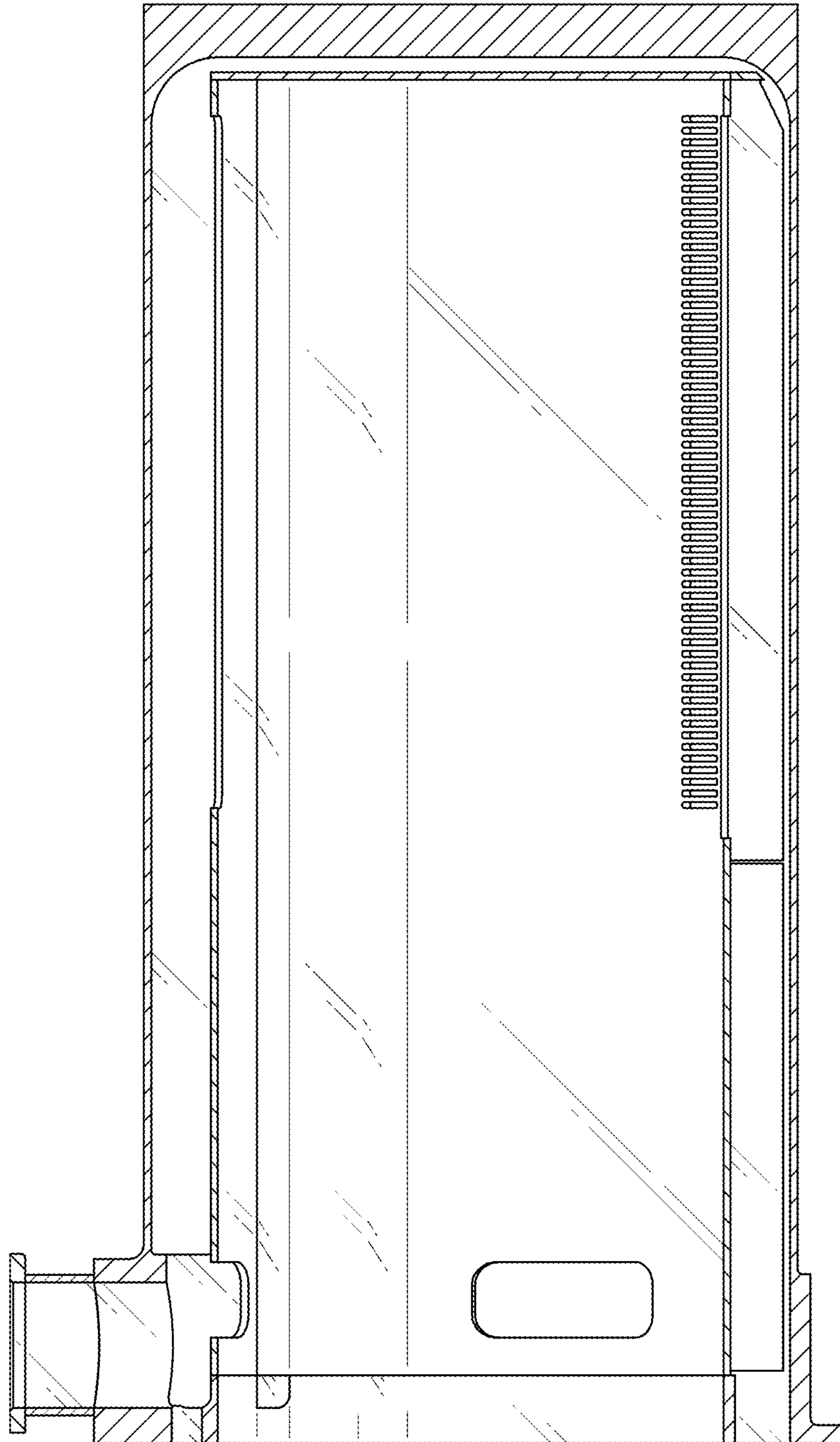


FIG. 8

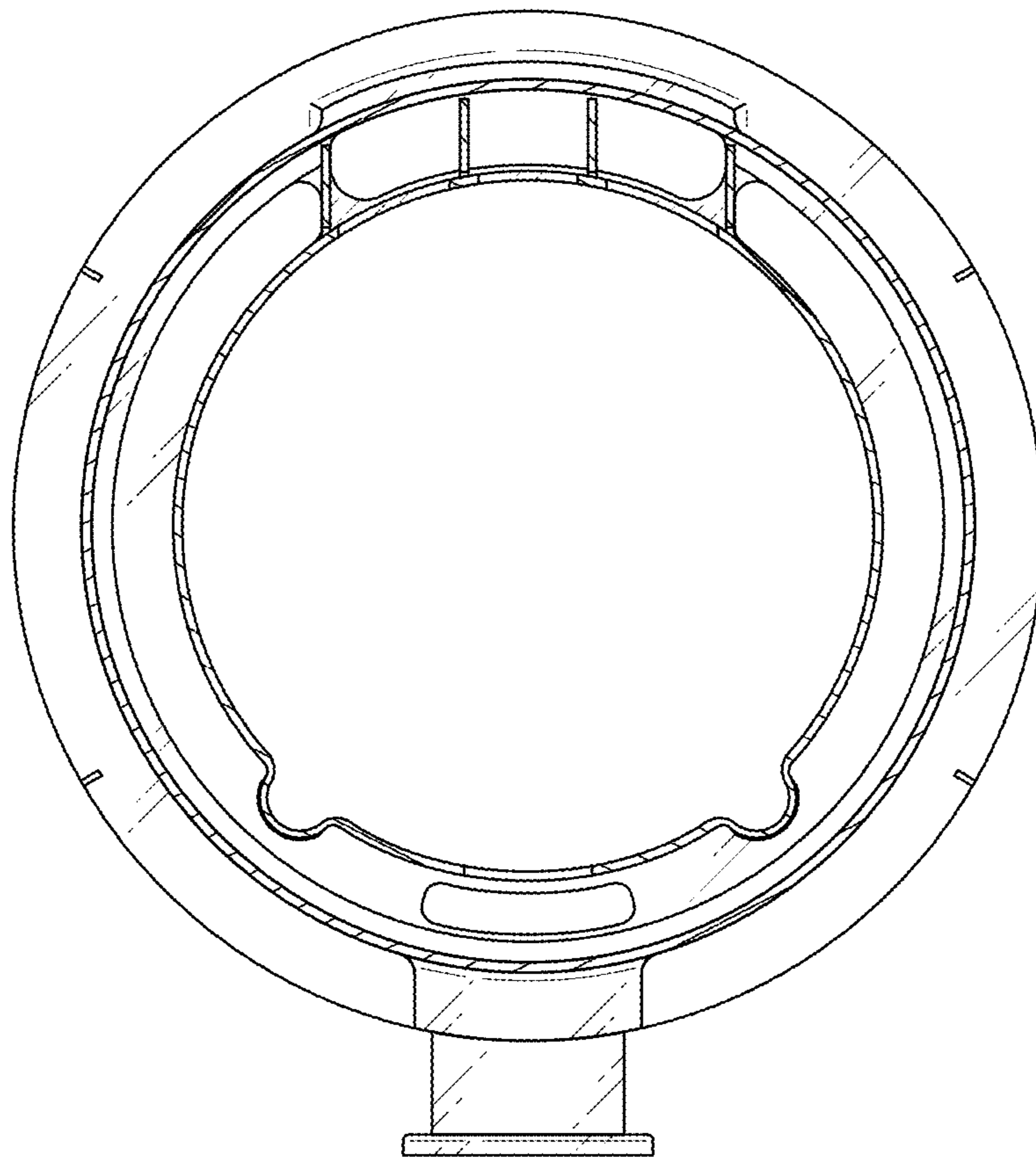


FIG. 9