



US00D853976S

(12) **United States Design Patent**
McCarthy et al.

(10) **Patent No.:** **US D853,976 S**
(45) **Date of Patent:** **** Jul. 16, 2019**

- (54) **COVER APPARATUS**
- (71) Applicant: **EATON INTELLIGENT POWER LIMITED**, Dublin (IE)
- (72) Inventors: **Kelly Julia McCarthy**, Pittsburgh, PA (US); **Richard Paul Malingowski**, McDonald, PA (US)
- (73) Assignee: **EATON INTELLIGENT POWER LIMITED**, Dublin (IE)
- (**) Term: **15 Years**
- (21) Appl. No.: **29/648,994**
- (22) Filed: **May 25, 2018**

Related U.S. Application Data

- (63) Continuation of application No. 29/640,241, filed on Mar. 13, 2018.
- (51) **LOC (11) Cl.** **13-03**
- (52) **U.S. Cl.**
USPC **D13/177; D13/178**
- (58) **Field of Classification Search**
USPC D13/123, 133, 146, 147, 153, 154, D13/158-161, 173, 177, 178, 184, 199
CPC .. H01H 3/38; H01H 3/40; H01H 9/00; H01H 9/02; H01H 9/20; H01H 9/26; H01H 9/28; H01H 19/14; H01H 71/10; H01H 83/00; H01R 13/44; H02B 11/00; H02J 9/06
See application file for complete search history.

(56) **References Cited**

U.S. PATENT DOCUMENTS

- 4,688,491 A * 8/1987 Herrera A47B 21/06
108/50.02
- 4,786,885 A * 11/1988 Morris H01H 83/20
200/309

- 4,924,041 A * 5/1990 Yee H01H 9/26
200/50.33
- 5,426,406 A * 6/1995 Morris H01H 9/10
335/202
- 6,191,947 B1 * 2/2001 Titus H01H 71/0228
335/202
- 6,275,126 B1 * 8/2001 Martelli H01H 71/0264
200/293
- 6,746,280 B1 * 6/2004 Lu H01R 24/00
361/737
- D564,979 S * 3/2008 Tatsuyama D13/173

(Continued)

Primary Examiner — Angela J Lee
Assistant Examiner — Shawn T Gingrich
(74) *Attorney, Agent, or Firm* — Eckert Seamans

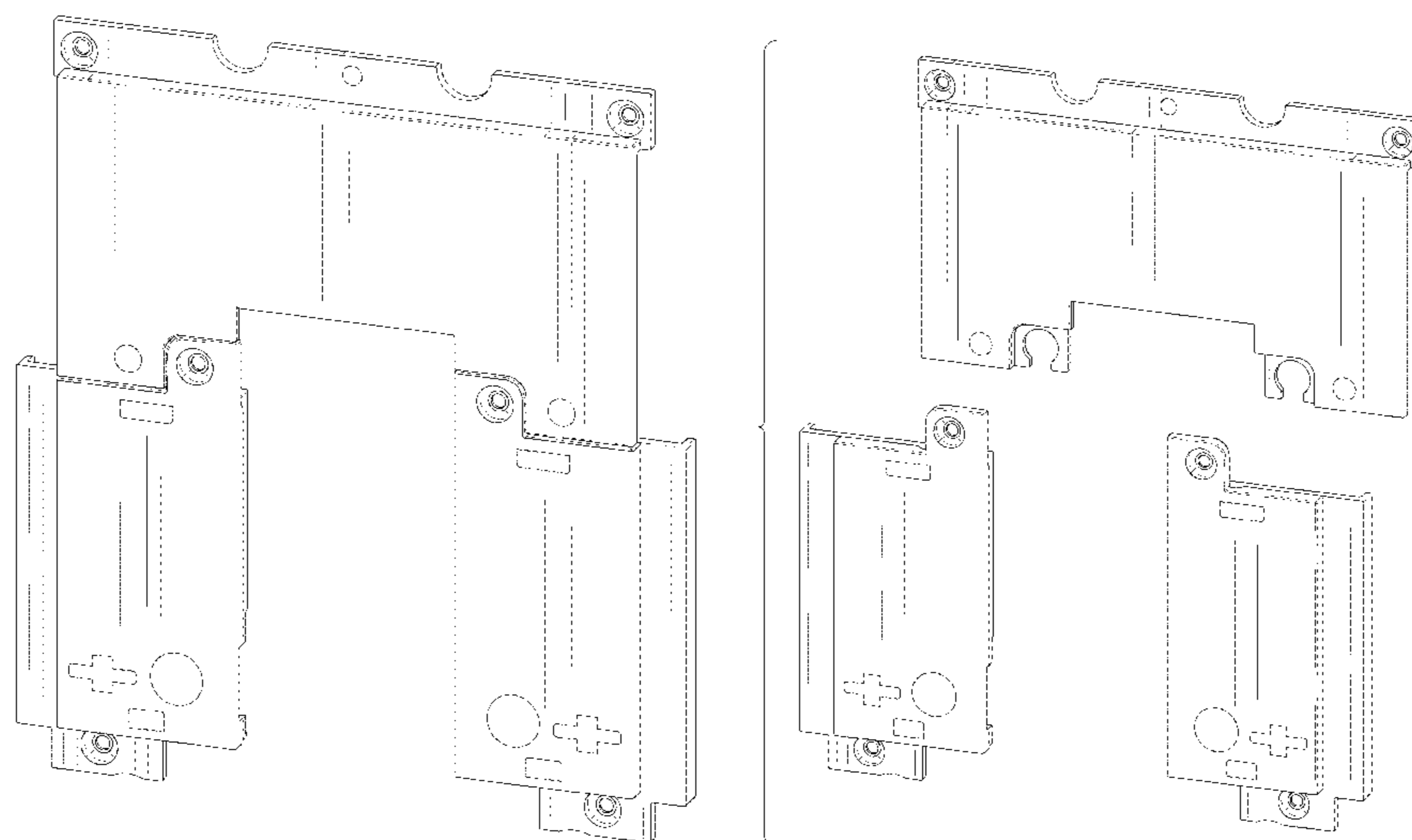
(57) **CLAIM**

The ornamental design for a cover apparatus, as shown and described.

DESCRIPTION

FIG. 1 is an upper right frontal perspective view of the cover apparatus;
FIG. 2 is a lower left frontal perspective view of the cover apparatus;
FIG. 3 is a front elevational view of the cover apparatus;
FIG. 4 is a left side elevational view of the cover apparatus;
FIG. 5 is a right side elevational view of the cover apparatus;
FIG. 6 is a rear elevational view of the cover apparatus;
FIG. 7 is a top plan view of the cover apparatus;
FIG. 8 is a bottom plan view of the cover apparatus;
FIG. 9 is an upper right frontal exploded perspective view of the cover apparatus; and,
FIG. 10 is a lower left frontal exploded perspective view of the cover apparatus.
The dashed lines are for the purpose of illustrating environmental subject matter that forms no part of the claimed design.

1 Claim, 8 Drawing Sheets



(56)

References Cited

U.S. PATENT DOCUMENTS

7,701,313 B2 * 4/2010 Kim H01H 71/02
335/202
D640,983 S * 7/2011 Alves D13/152
8,350,154 B1 * 1/2013 Shotey H02G 3/14
174/57
9,524,842 B2 * 12/2016 Sisley H01H 71/0207
2011/0259883 A1 * 10/2011 DeCosta H02G 3/14
220/3.94

* cited by examiner

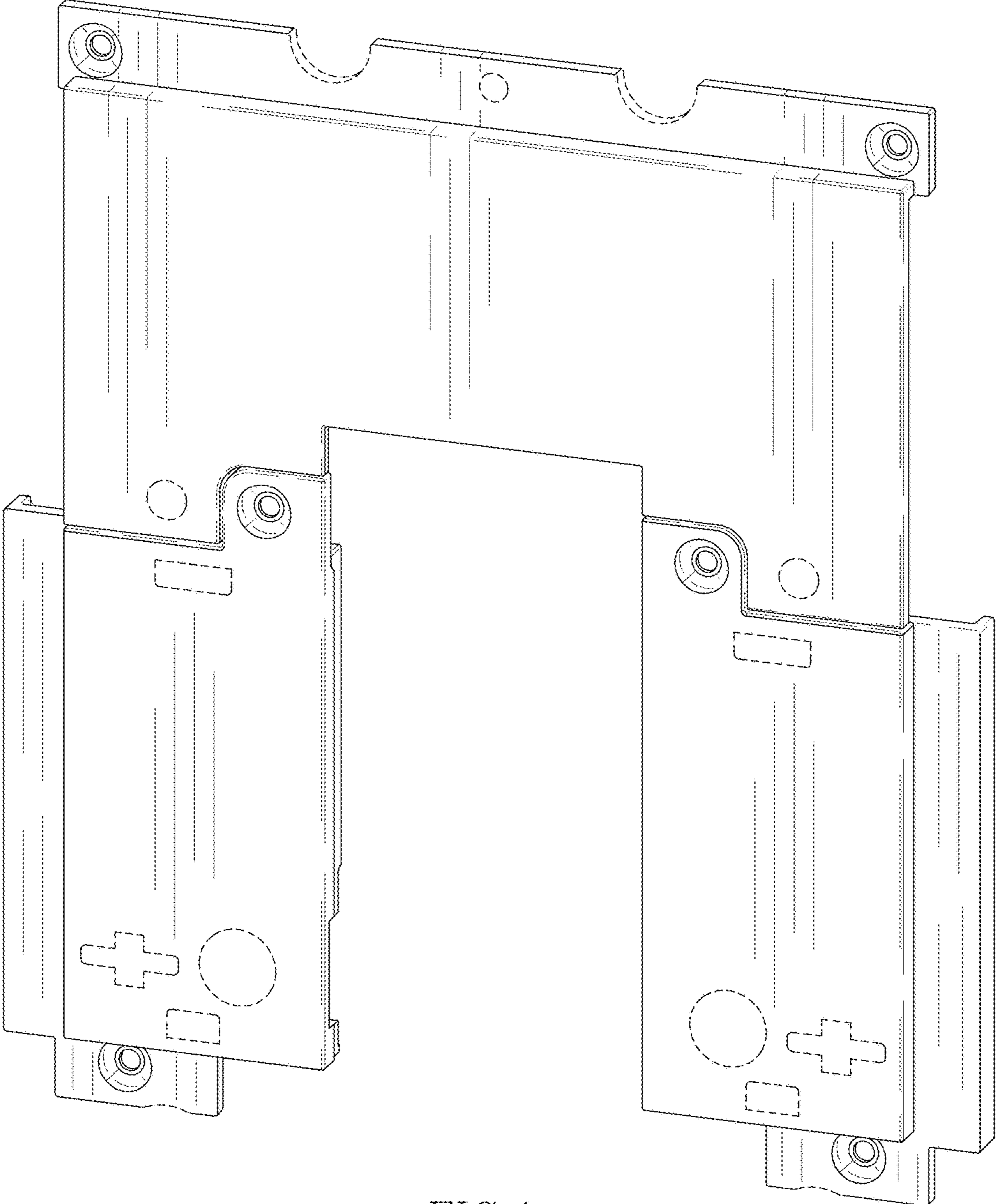


FIG. 1

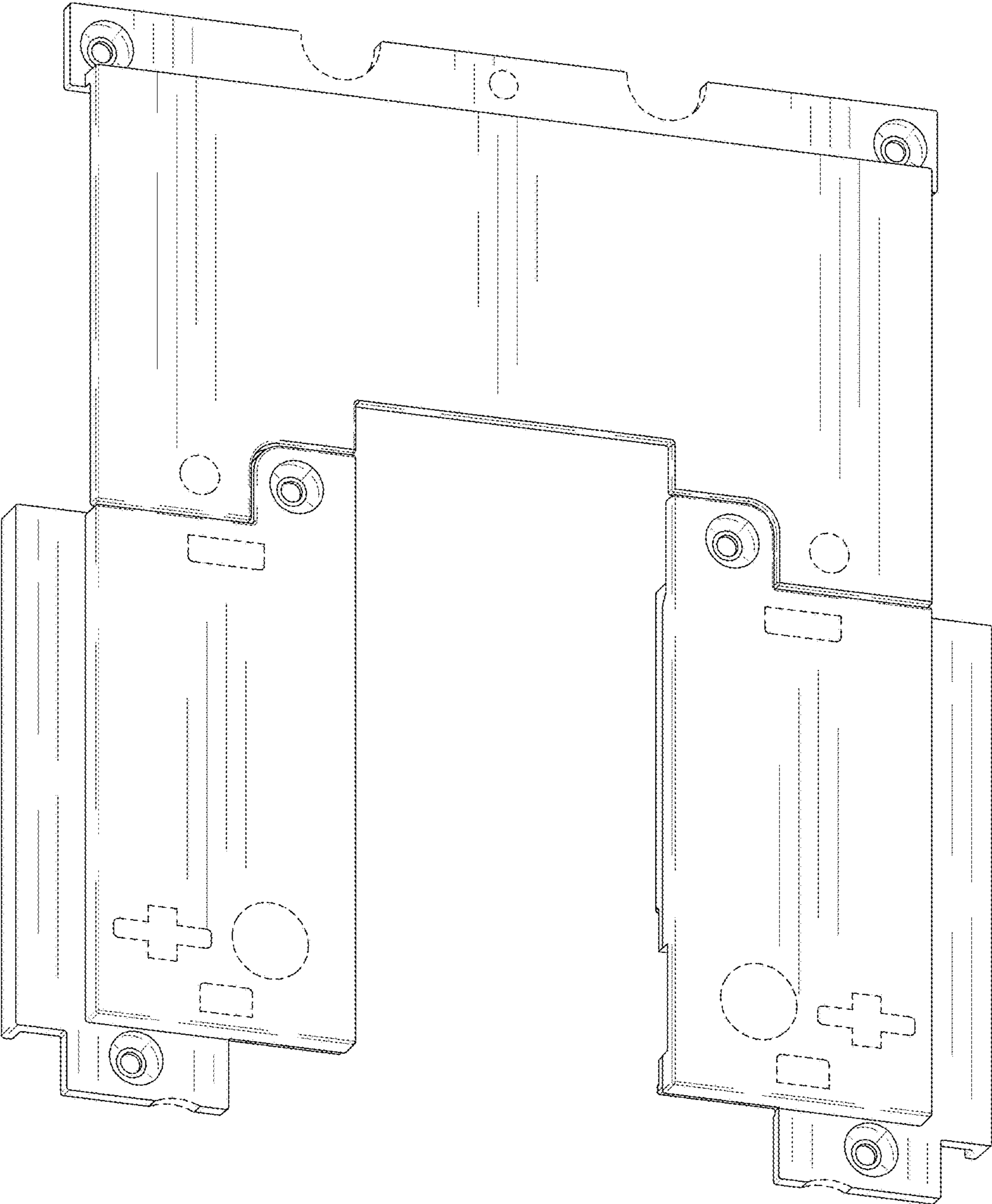


FIG. 2

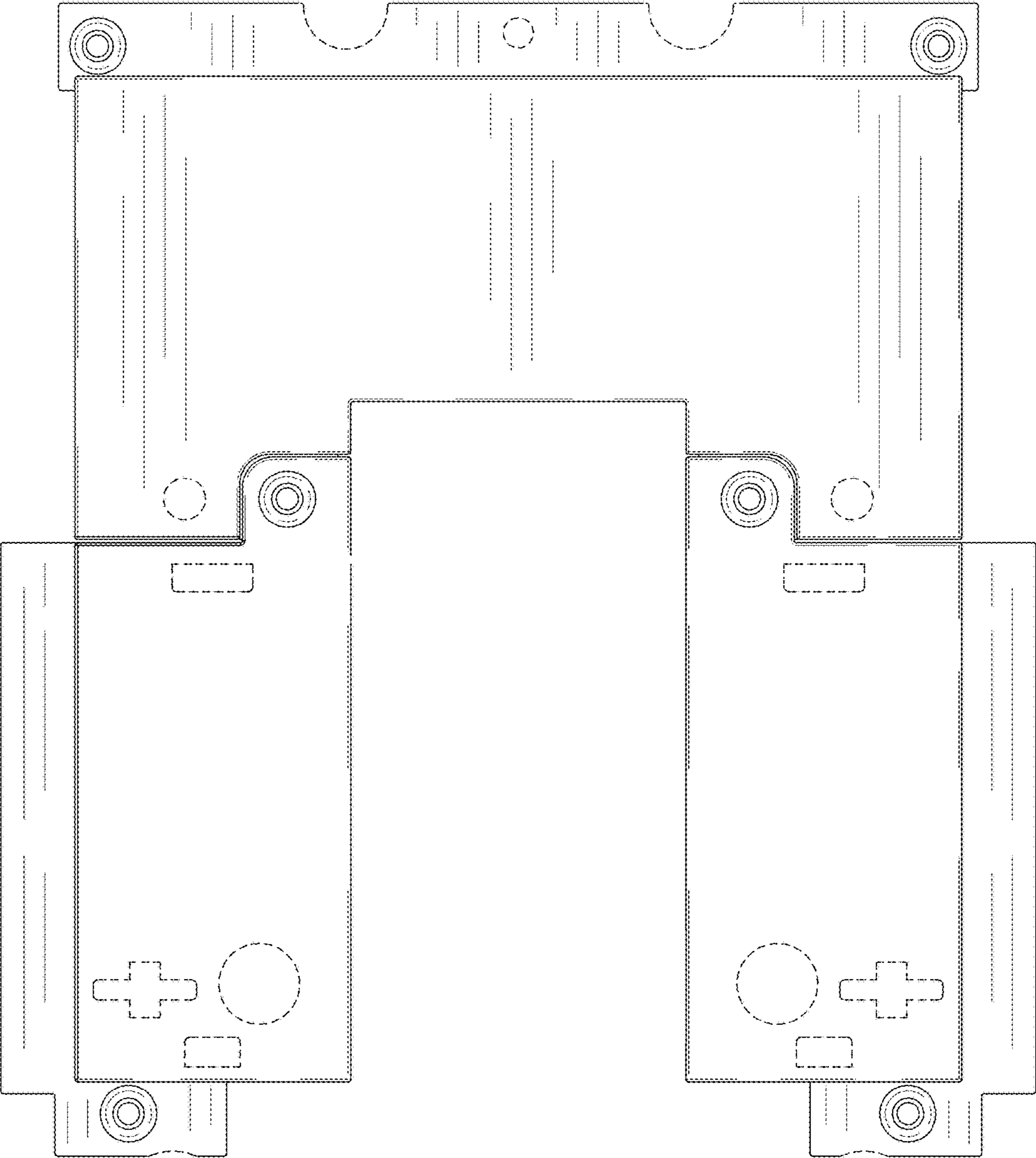


FIG. 3

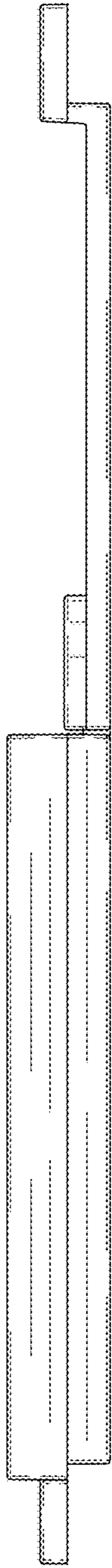


FIG. 4

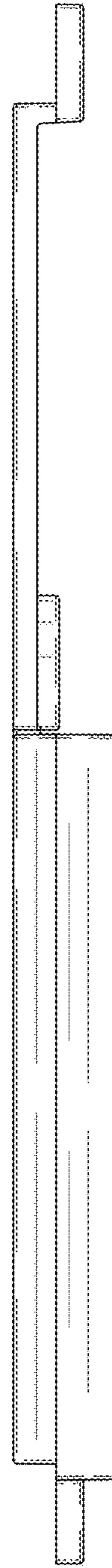


FIG. 5

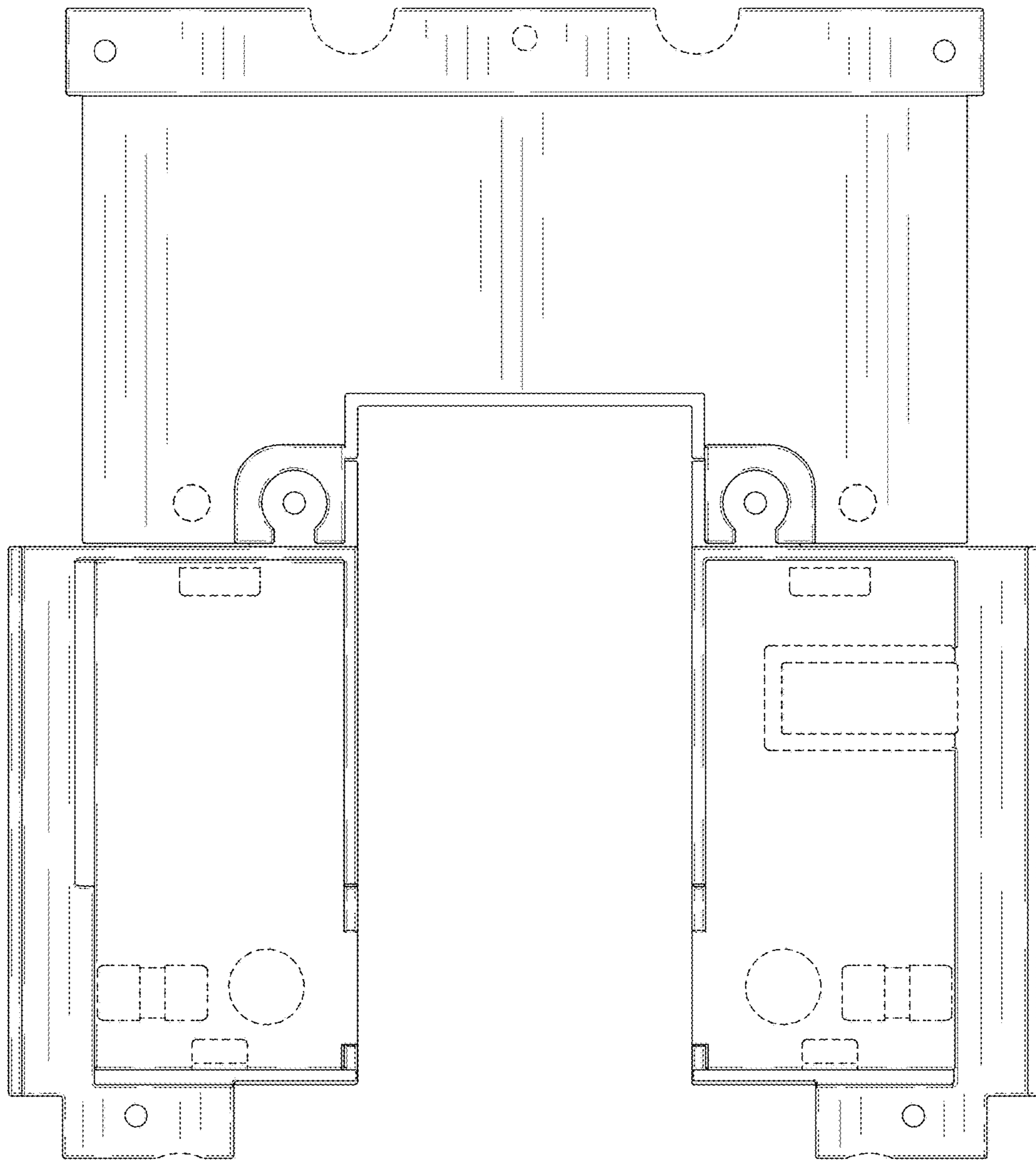


FIG. 6

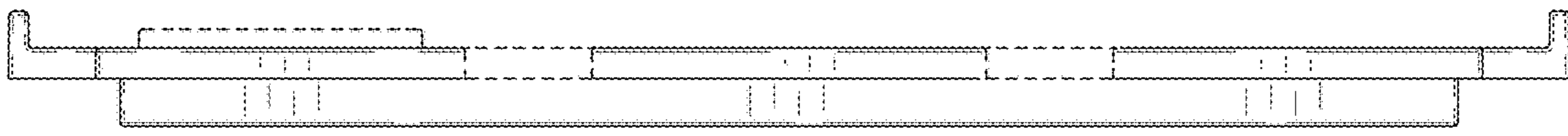


FIG. 7

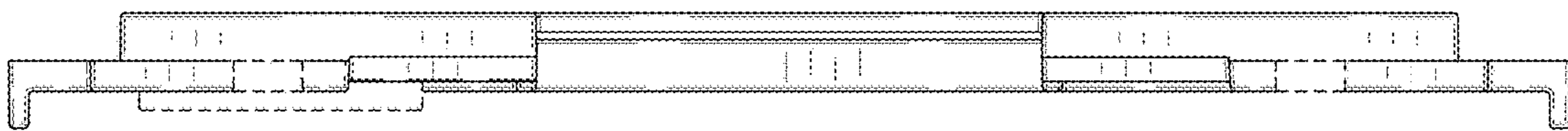


FIG. 8

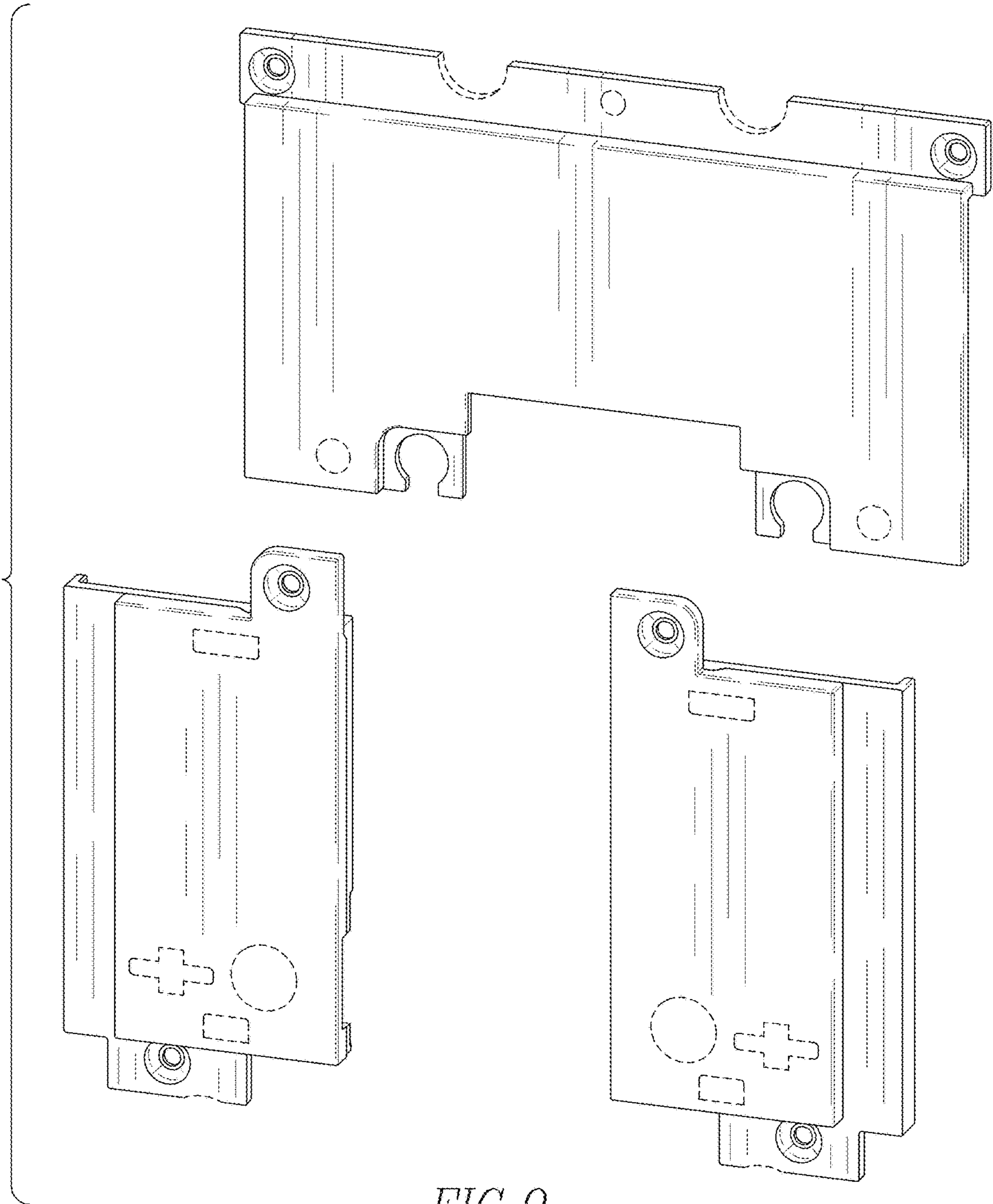


FIG. 9

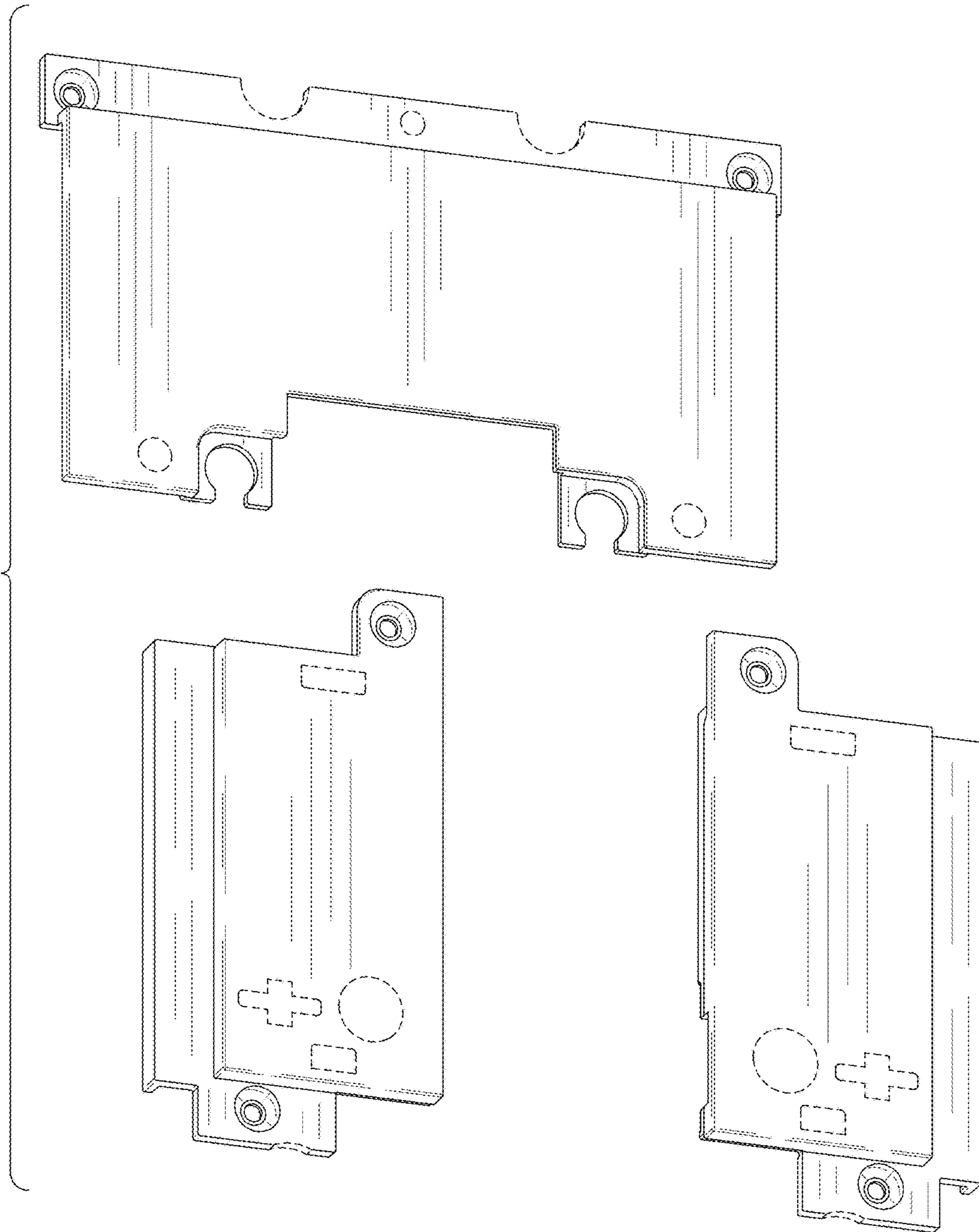


FIG. 10