



US00D853975S

(12) **United States Design Patent** (10) **Patent No.:** **US D853,975 S**
Gassner (45) **Date of Patent:** **** Jul. 16, 2019**

(54) **EMBEDDED USB HAND CONTROLLER**

- (71) Applicant: **Limoss (Shenzhen) Co., Ltd.**,
Shenzhen, Guangdong (CN)
- (72) Inventor: **Christian Gassner**, Guangdong (CN)
- (73) Assignee: **Limoss (Dongguan) Co., Ltd.**,
Dongguan, Guangdong (CN)
- (**) Term: **15 Years**
- (21) Appl. No.: **29/629,947**
- (22) Filed: **Dec. 18, 2017**

Related U.S. Application Data

- (63) Continuation of application No. 29/571,042, filed on Jul. 14, 2016, now Pat. No. Des. 808,910.

Foreign Application Priority Data

- Apr. 1, 2016 (CN) 2016 3 0105231
- (51) **LOC (11) Cl.** **13-03**
- (52) **U.S. Cl.**
USPC **D13/169**

Field of Classification Search

USPC D13/158, 162, 169, 174; D14/218
 CPC H01H 3/02; H01H 3/022; H01H 3/12;
 H01H 3/122; H01H 9/02; H01H 9/0235;
 H01H 13/023; H01H 13/04; H01H 13/06;
 H01H 13/063; H01H 13/10; H01H 13/12;
 H01H 13/142; H01H 13/20; H01H 13/30;
 H01H 13/36; H01H 13/70; H01H 13/86;
 H01H 21/24; H01H 25/065; H01H 23/00;
 H01H 23/02; H01H 23/025; H01H 23/04;
 H01H 23/08; H01H 23/14; H01H 23/145;
 A47C 7/506; A47C 1/0345; A47C 1/035;
 H01R 13/70

See application file for complete search history.

(56) **References Cited**

U.S. PATENT DOCUMENTS

- 5,149,924 A * 9/1992 Priesemuth B60Q 1/1461
200/315
- 6,724,102 B1 * 4/2004 Kelwaski B60L 1/00
307/10.1
- D518,793 S * 4/2006 Hedderich D13/162
- 8,106,325 B2 * 1/2012 Laurent H01H 13/70
200/296
- 8,754,344 B2 * 6/2014 Chiba H01H 23/145
200/556
- D720,305 S * 12/2014 Wenji D13/174
- 9,024,215 B2 * 5/2015 Chiba H01H 1/44
200/16 R
- D733,078 S * 6/2015 Wu D13/171

(Continued)

Primary Examiner — Selina Sikder

(74) *Attorney, Agent, or Firm* — Rankin, Hill & Clark
LLP

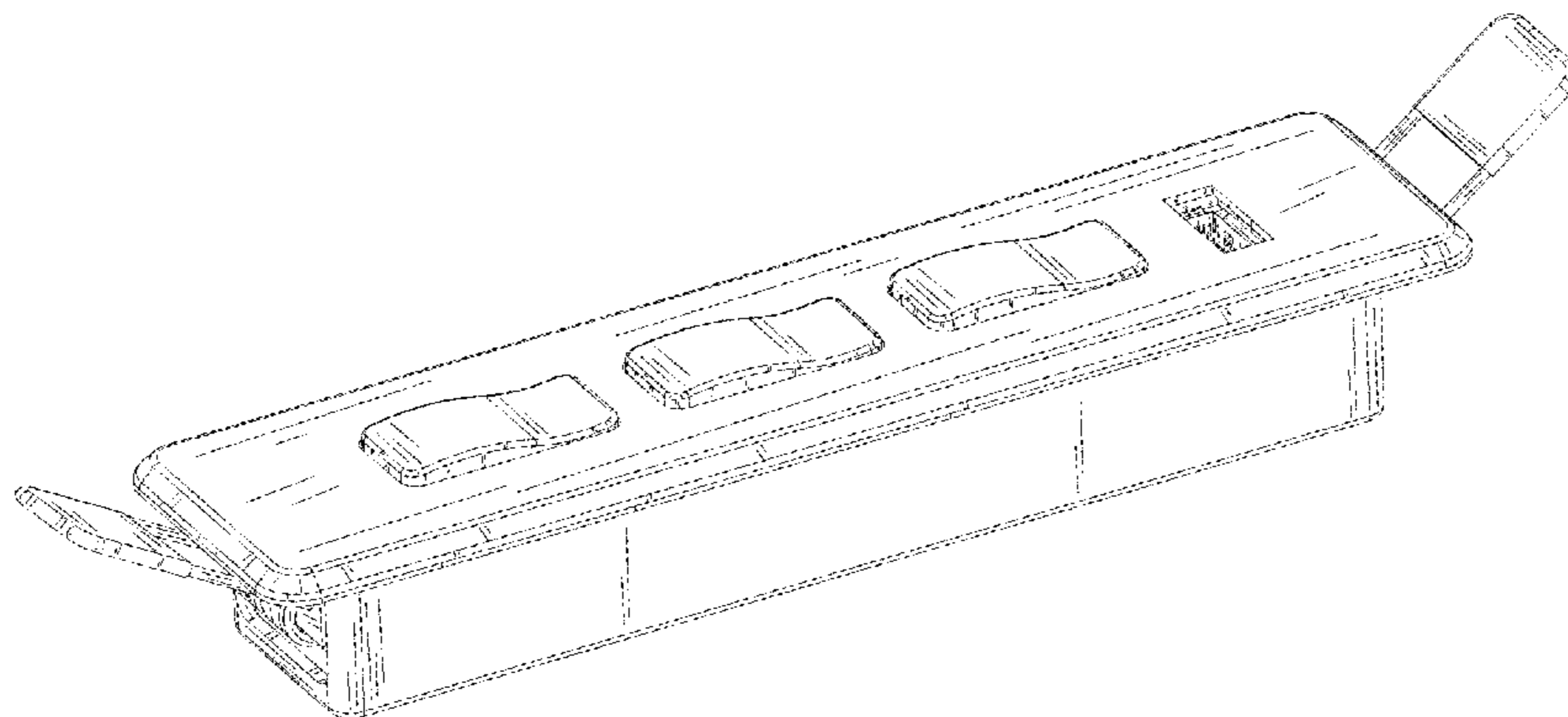
(57) **CLAIM**

The ornamental designs for an “embedded USB hand controller,” as shown and described.

DESCRIPTION

FIG. 1 is a perspective view of the embedded USB hand controller;
 FIG. 2 is a front view of the embedded USB hand controller;
 FIG. 3 is a rear view of the embedded USB hand controller;
 FIG. 4 is a left side view of the embedded USB hand controller;
 FIG. 5 is a right side view of the embedded USB hand controller;
 FIG. 6 is a top view of the embedded USB hand controller;
 and,
 FIG. 7 is a bottom view of the embedded USB hand controller.

1 Claim, 4 Drawing Sheets



(56)

References Cited

U.S. PATENT DOCUMENTS

D733,652 S * 7/2015 Wenji D13/123
D758,975 S * 6/2016 Hunter D13/162
D764,420 S * 8/2016 Naka D13/171
D782,987 S * 4/2017 Gassner D13/171
D784,960 S * 4/2017 Gassner D14/218
D786,805 S * 5/2017 Anderson D13/174
D788,718 S * 6/2017 Tang D13/169
9,673,579 B2 * 6/2017 Gassner H01R 24/60
D808,910 S * 1/2018 Gassner D13/169
D813,179 S * 3/2018 Wu D13/169
2002/0055306 A1 * 5/2002 Jenks H01R 31/065
439/855
2005/0258023 A1 * 11/2005 Nagai H01H 23/14
200/339
2011/0198894 A1 * 8/2011 Hsieh A47C 1/0242
297/68
2014/0306505 A1 * 10/2014 Koch H01H 9/0207
297/330
2014/0353134 A1 * 12/2014 Muller H01H 3/20
200/5 A

* cited by examiner

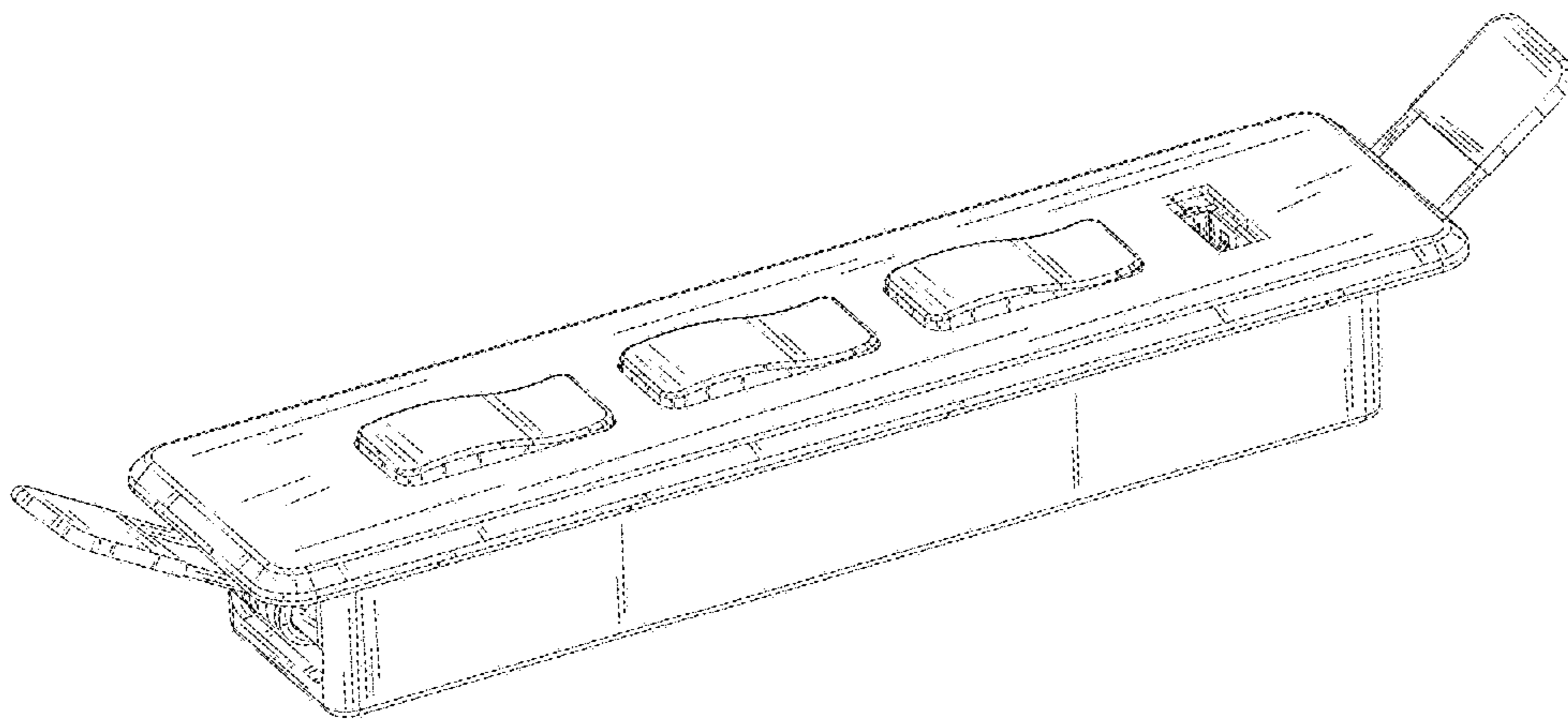


FIG.1

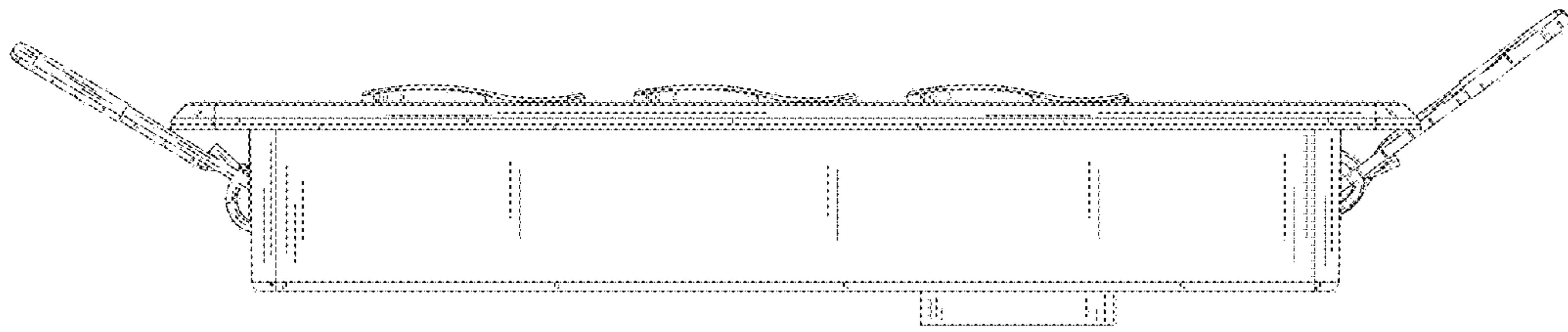


FIG. 2

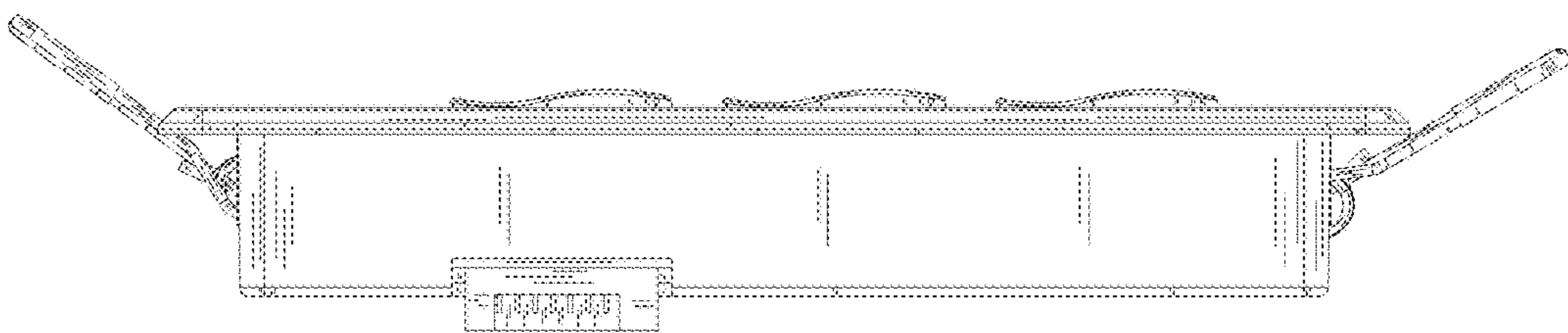


FIG. 3

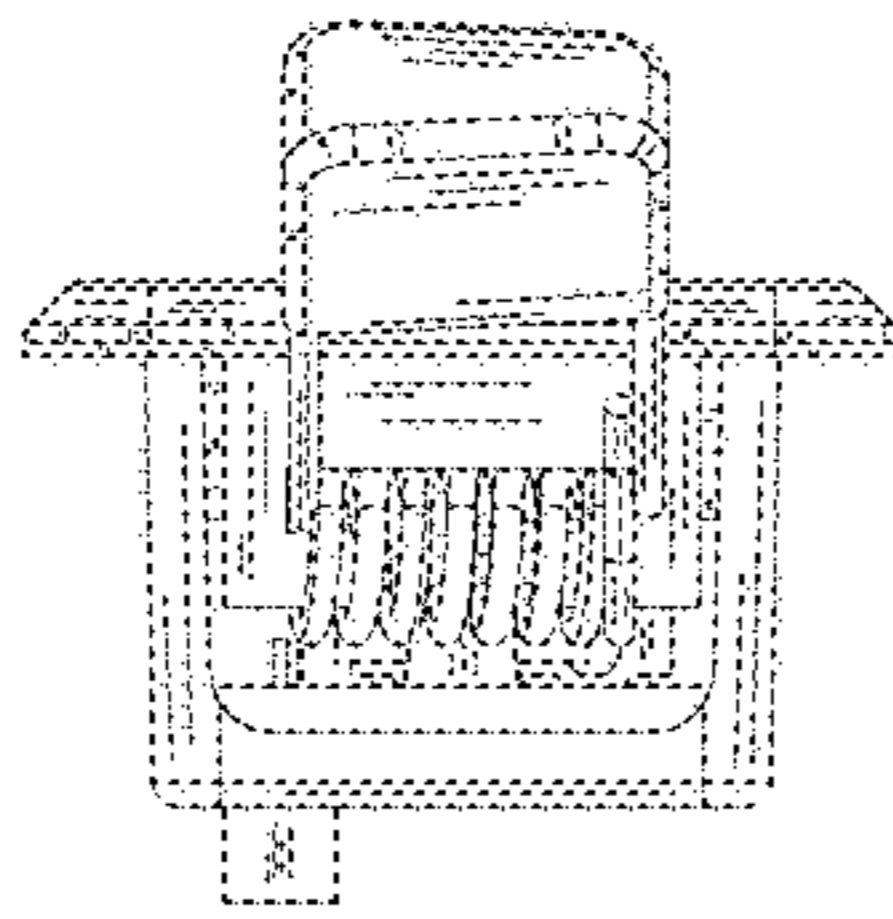


FIG.4

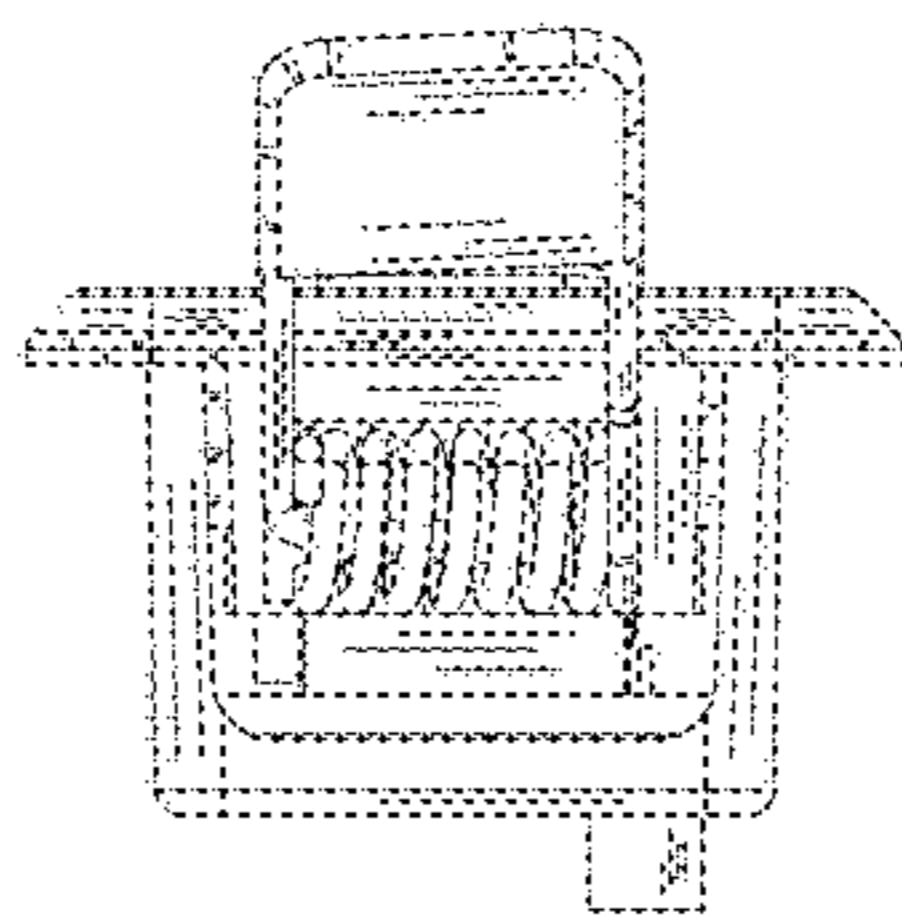


FIG.5

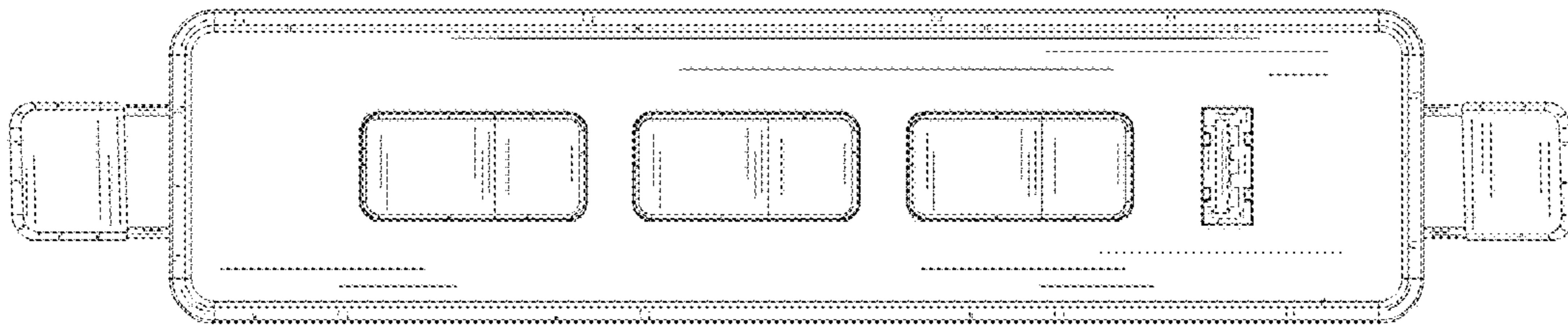


FIG.6

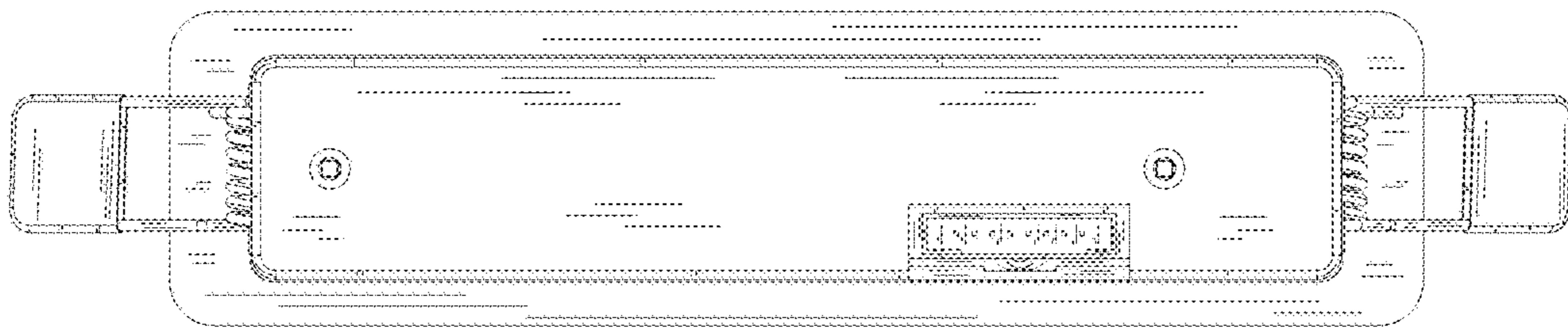


FIG.7