



US00D853973S

(12) **United States Design Patent**
Sharp et al.

(10) **Patent No.:** **US D853,973 S**
(45) **Date of Patent:** **** Jul. 16, 2019**

(54) **FACE PACK FOR ELECTRONIC IRRIGATION CONTROLLER**

(71) Applicant: **Hunter Industries, Inc.**, San Marcos, CA (US)

(72) Inventors: **Stephen A. Sharp**, San Diego, CA (US); **Thomas E. Veloskey**, San Marcos, CA (US)

(73) Assignee: **Hunter Industries, Inc.**, San Marcos, CA (US)

(**) Term: **15 Years**

(21) Appl. No.: **29/640,255**

(22) Filed: **Mar. 13, 2018**

(51) **LOC (11) Cl.** **13-03**

(52) **U.S. Cl.**
USPC **D13/162**

(58) **Field of Classification Search**
USPC D13/162, 164, 177; D10/40, 46, 49
(Continued)

(56) **References Cited**

U.S. PATENT DOCUMENTS

7,225,058 B1 * 5/2007 Porter A01G 25/165
137/624.11
D613,255 S * 4/2010 Paul D13/162
(Continued)

Primary Examiner — Selina Sikder

(74) *Attorney, Agent, or Firm* — Knobbe, Martens, Olson & Bear, LLP

(57) **CLAIM**

The ornamental design for a face pack for an electronic irrigation controller, as shown and described.

DESCRIPTION

FIG. 1 illustrates a top, front, and right side perspective view of a face pack for an electronic irrigation controller embodying a new design.

FIG. 2 illustrates a bottom, back, and right side perspective view of the face pack for an electronic irrigation controller of FIG. 1.

FIG. 3 illustrates a front view of the face pack for an electronic irrigation controller of FIG. 1.

FIG. 4 illustrates a back view of the face pack for an electronic irrigation controller of FIG. 1.

FIG. 5 illustrates a right side view of the face pack for an electronic irrigation controller of FIG. 1.

FIG. 6 illustrates a left side view of the face pack for an electronic irrigation controller of FIG. 1.

FIG. 7 illustrates a top view of the face pack for an electronic irrigation controller of FIG. 1.

FIG. 8 illustrates a bottom view of the face pack for an electronic irrigation controller of FIG. 1.

FIG. 9 illustrates a top, front, and right side perspective view of a face pack for an electronic irrigation controller embodying a new design.

FIG. 10 illustrates a bottom, back, and right side perspective view of the face pack for an electronic irrigation controller of FIG. 9.

FIG. 11 illustrates a front view of the face pack for an electronic irrigation controller of FIG. 9.

FIG. 12 illustrates a back view of the face pack for an electronic irrigation controller of FIG. 9.

FIG. 13 illustrates a right side view of the face pack for an electronic irrigation controller of FIG. 9.

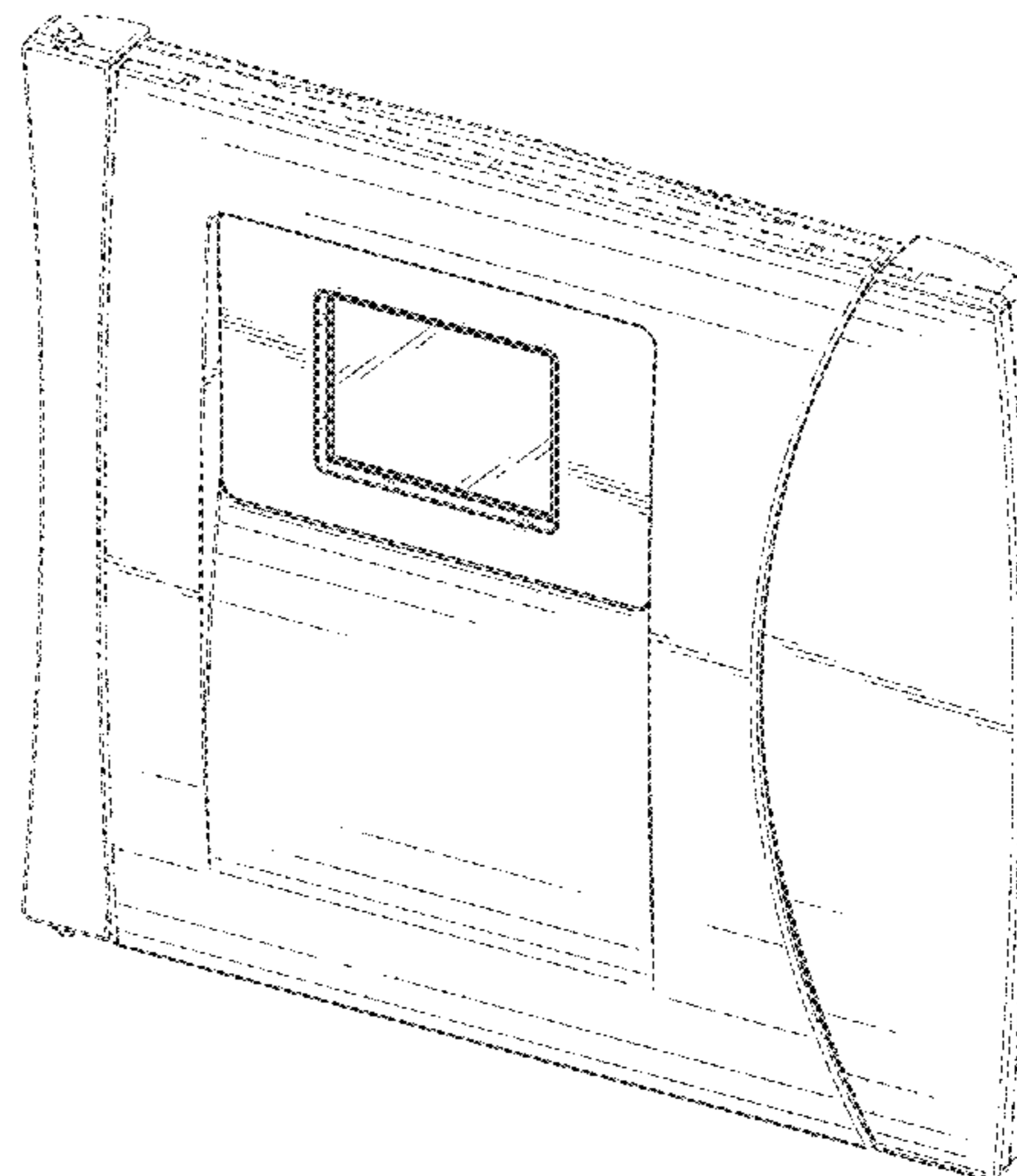
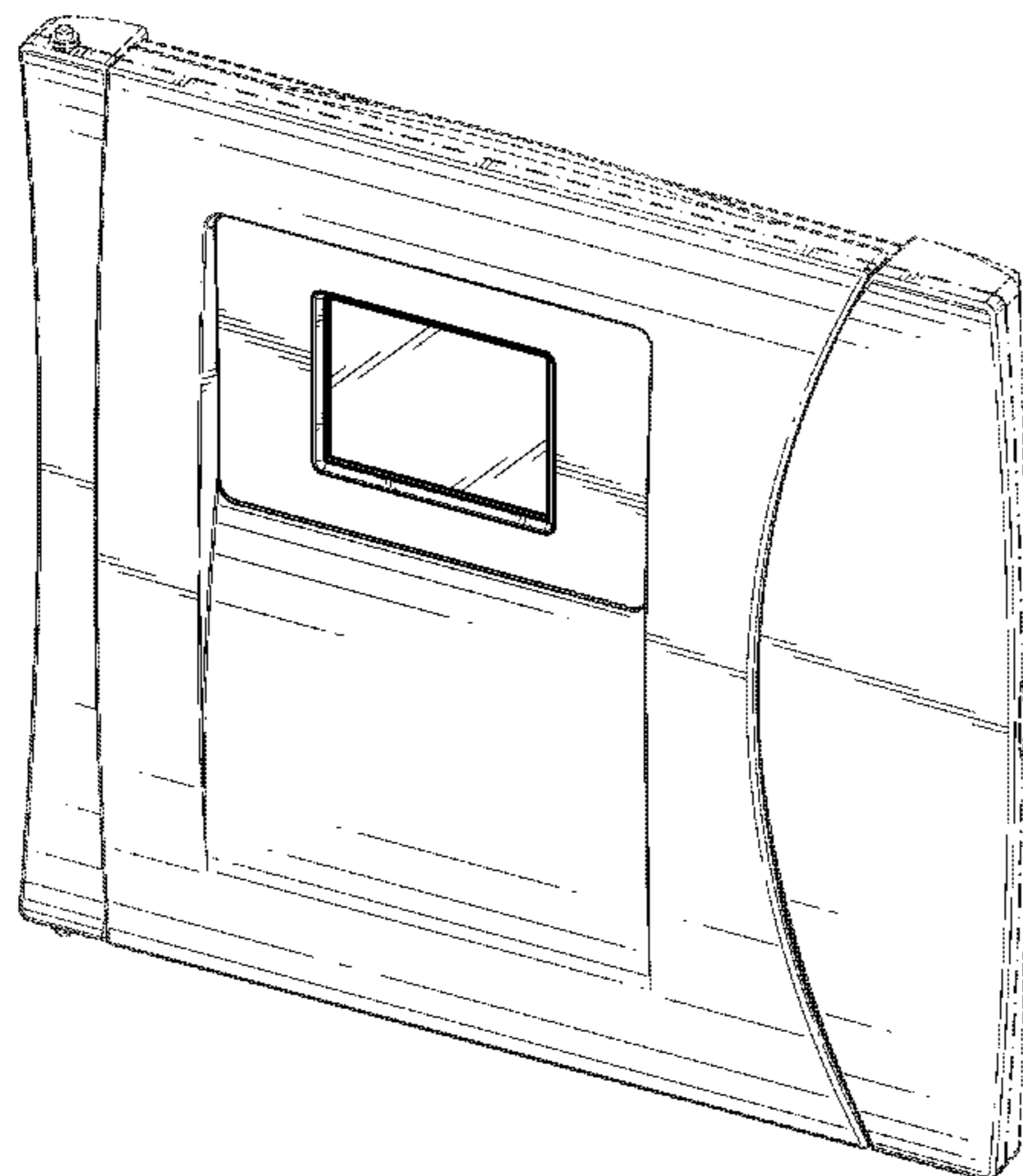
FIG. 14 illustrates a left side view of the face pack for an electronic controller of FIG. 9.

FIG. 15 illustrates a top view of the face pack for an electronic irrigation controller of FIG. 9; and,

FIG. 16 illustrates a bottom view of the face pack for an electronic irrigation controller of FIG. 9.

Broken lines are used to illustrate features of the face pack for an electronic irrigation controller, which form no part of the claimed design. Dot-dash lines are used to illustrate boundary lines and form no part of the claimed design.

1 Claim, 12 Drawing Sheets



(58) **Field of Classification Search**

CPC .. H02G 3/14; H05B 37/0209; H05B 37/0218;
H05B 37/0281; H05B 37/029; F05K
5/0017; F05K 5/0026; Y02B 20/42
See application file for complete search history.

(56) **References Cited**

U.S. PATENT DOCUMENTS

7,953,517	B1 *	5/2011	Porter	A01G 25/165 700/284
D680,501	S *	4/2013	Elliott	H05K 5/0017 D13/162
D691,968	S *	10/2013	Schmuckle	D13/162
8,867,194	B2 *	10/2014	Woytowitz	H05K 5/0017 361/600
8,957,588	B1 *	2/2015	Ericksen	H05B 37/0218 315/153
9,577,415	B1 *	2/2017	Veloskey	H02G 3/14
D797,682	S *	9/2017	Sharp	D13/162
D808,908	S *	1/2018	Paul	D13/162
10,069,284	B1 *	9/2018	Paul	H02B 1/44
D838,238	S *	1/2019	Wu	D13/102

* cited by examiner

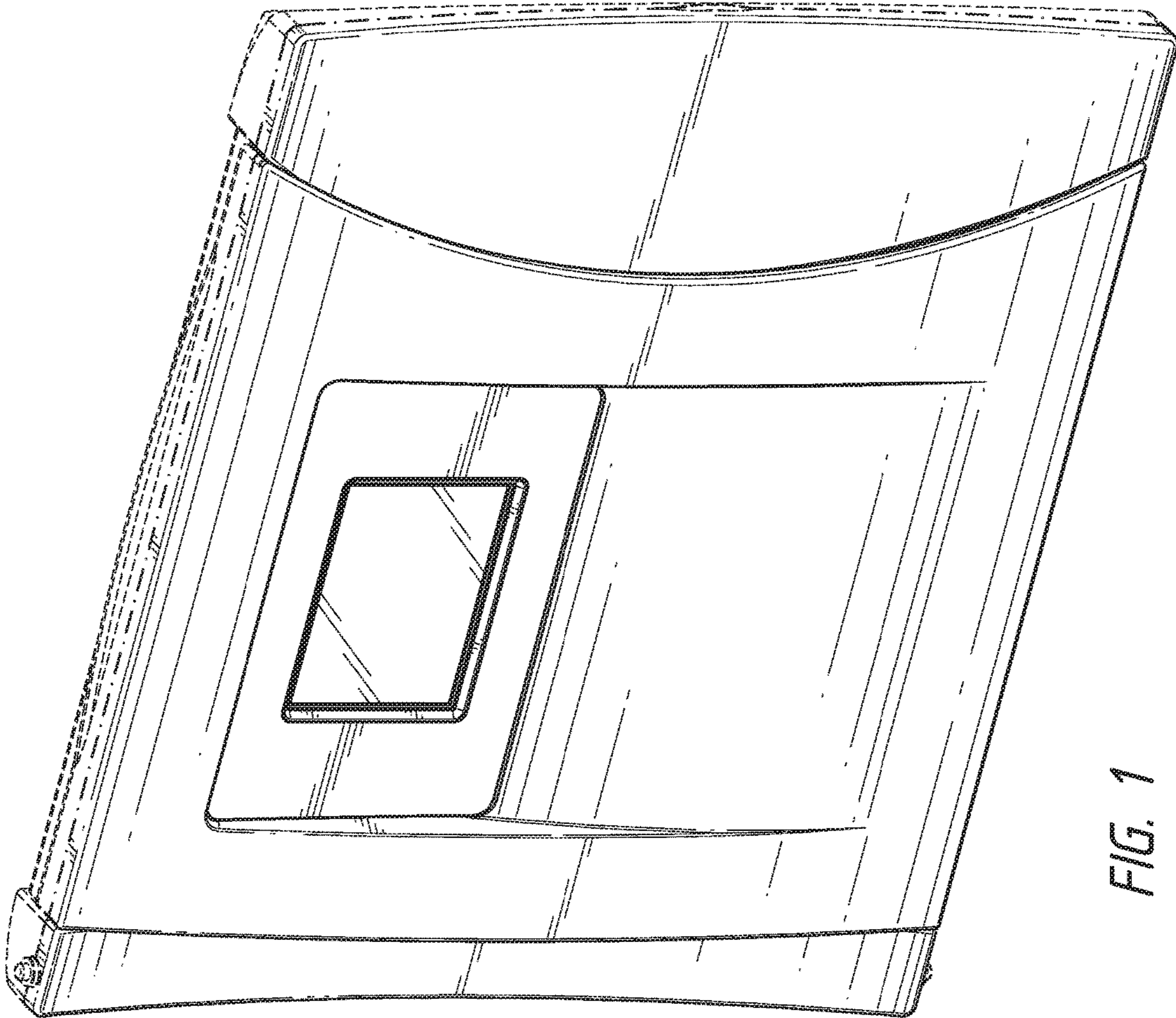


FIG. 1

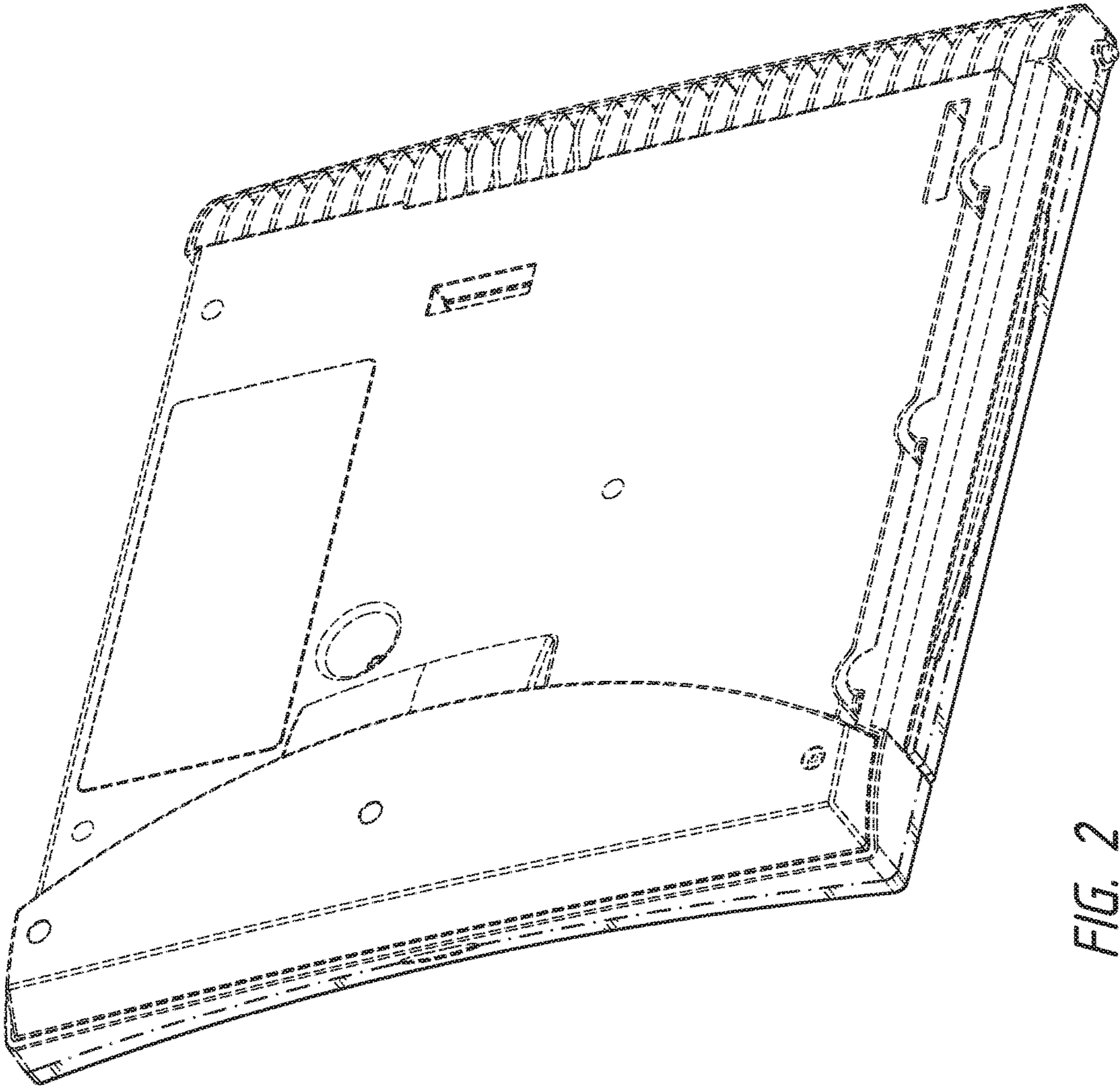
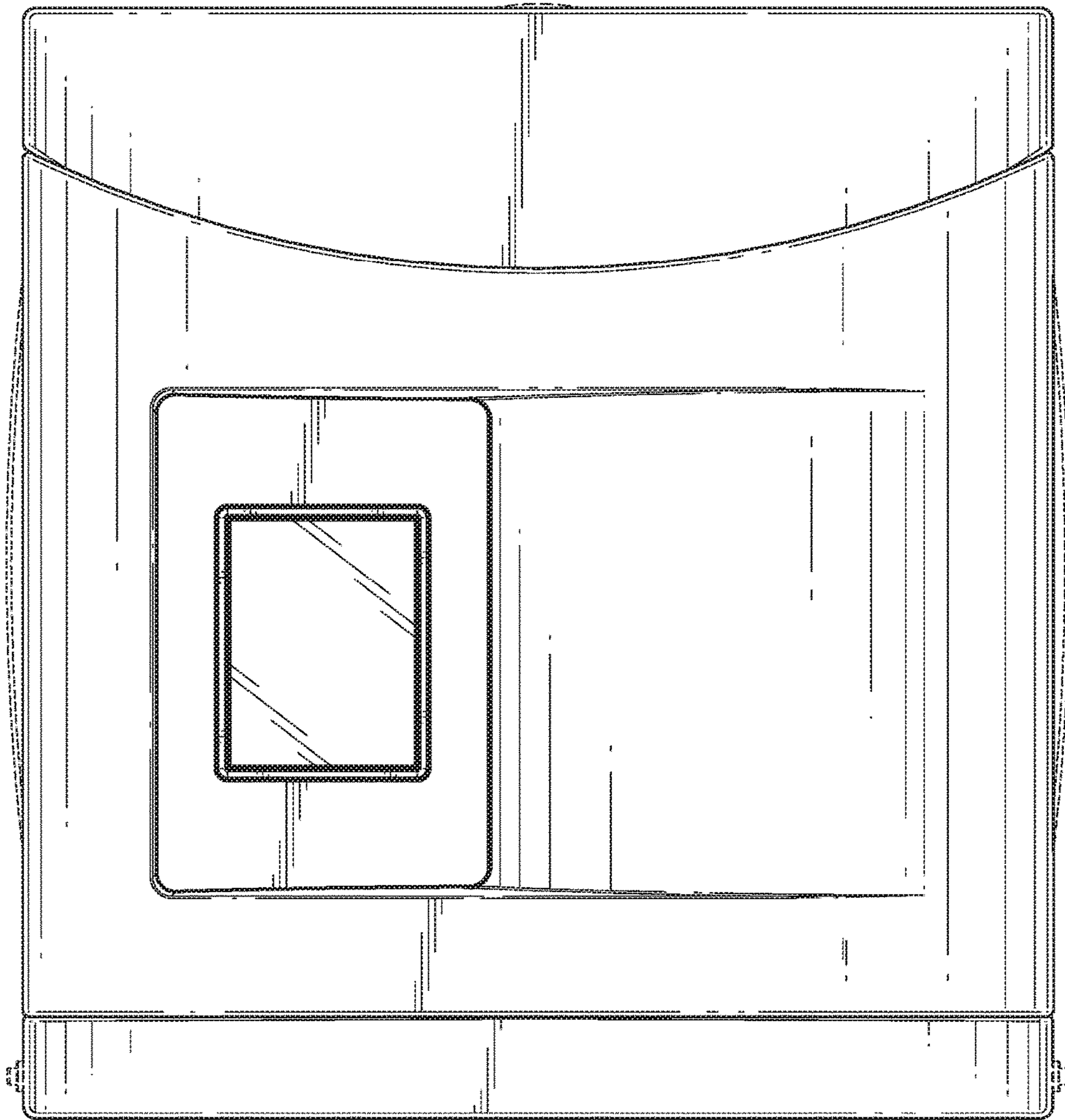


FIG. 2

FIG. 3



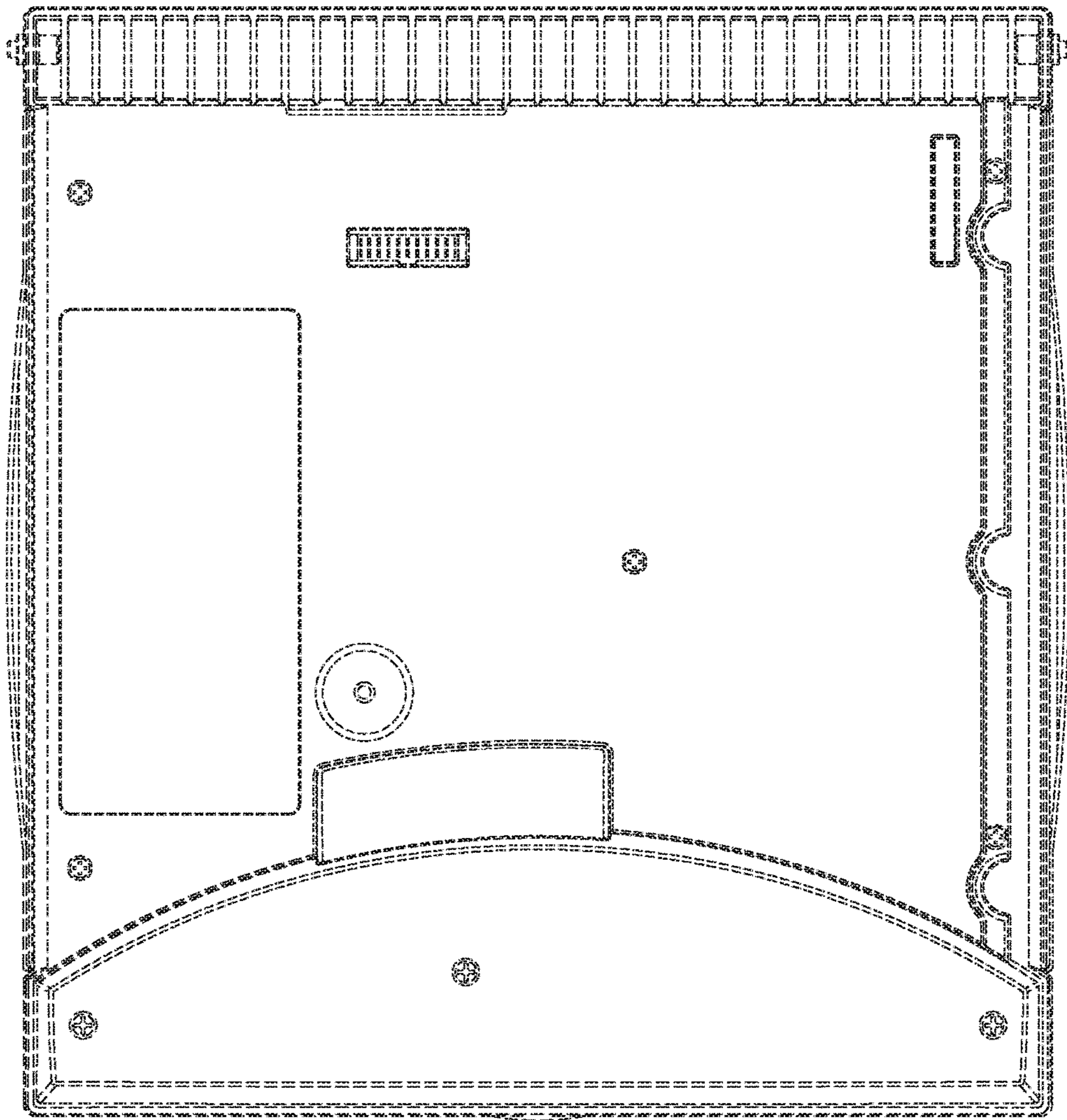


FIG. 4

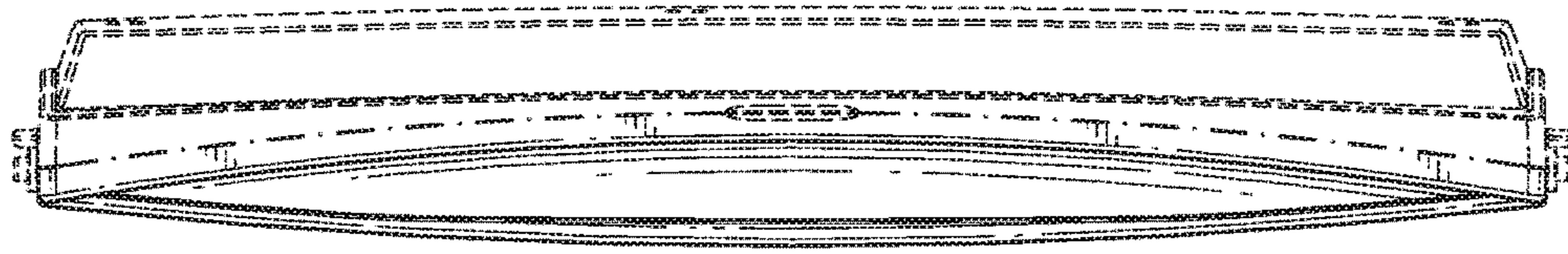


FIG. 6

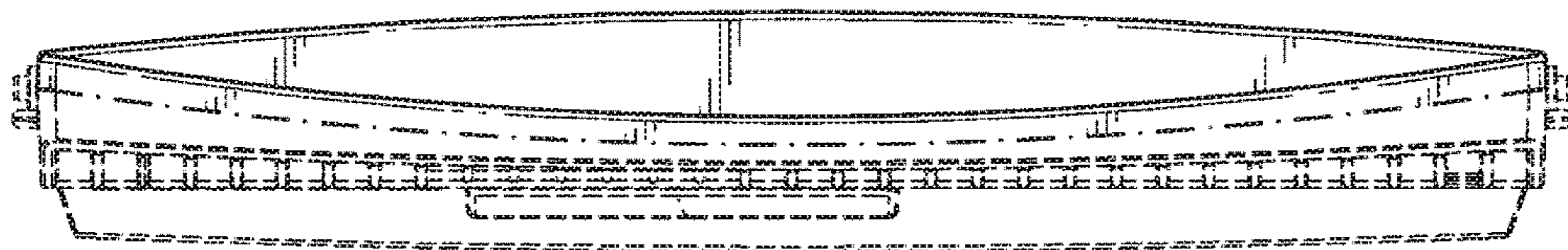


FIG. 5

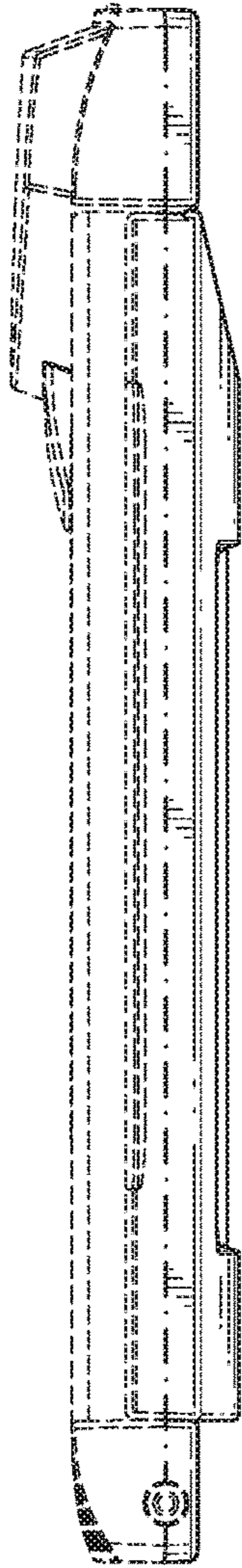


FIG. 7

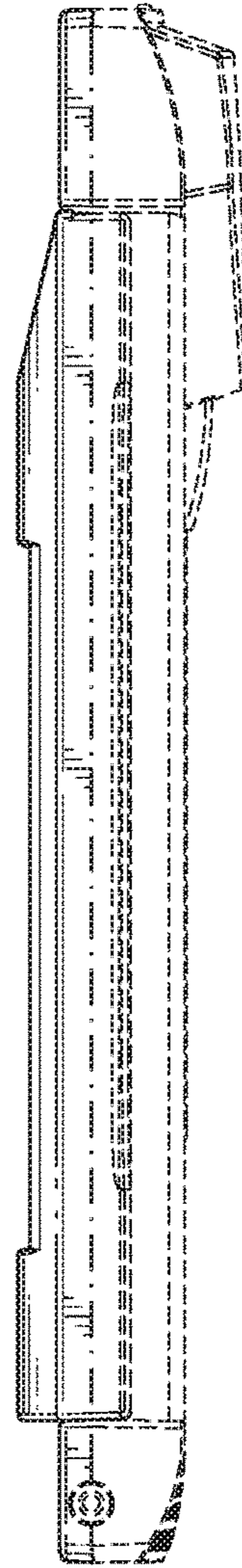


FIG. 8

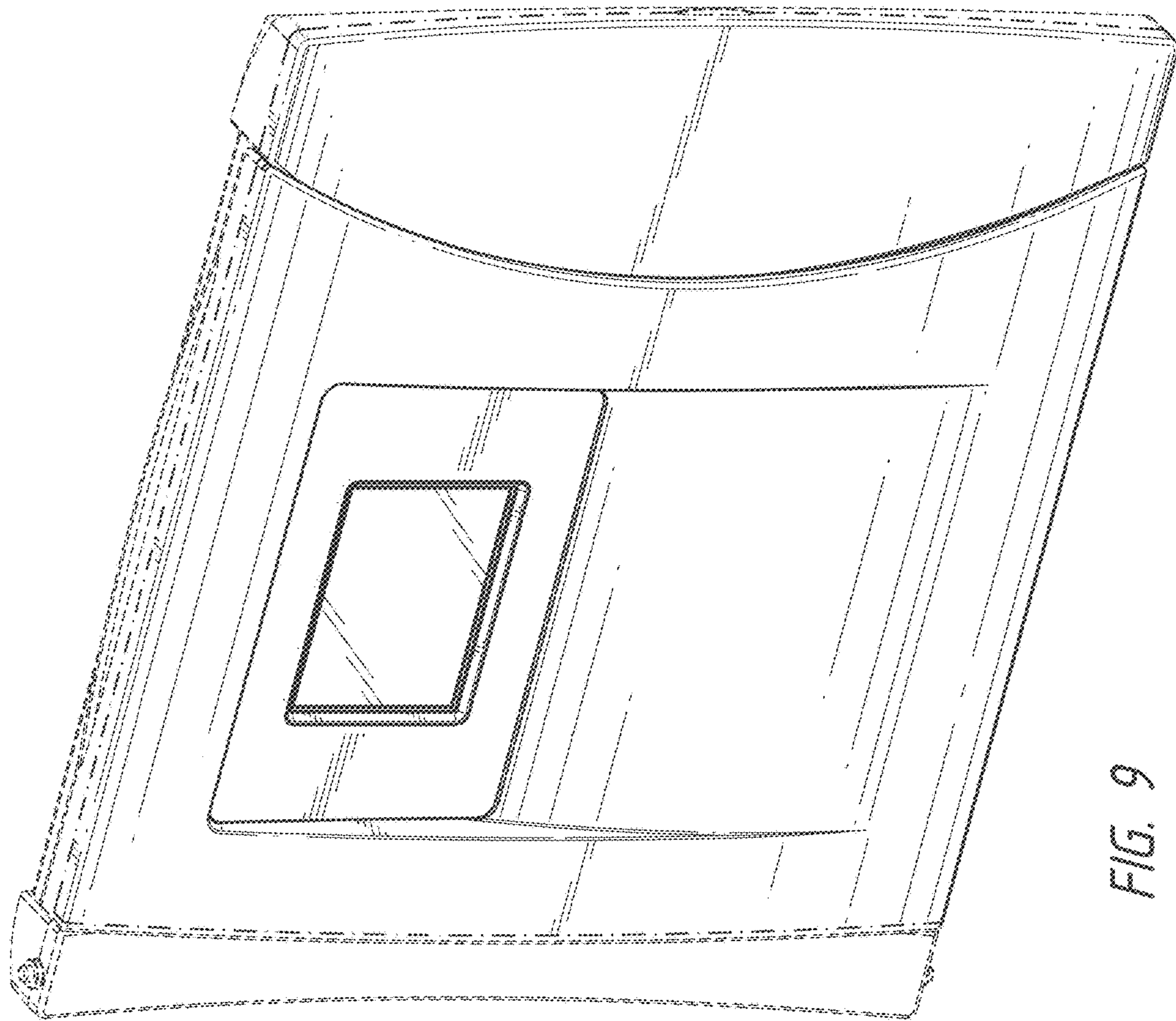


FIG. 9

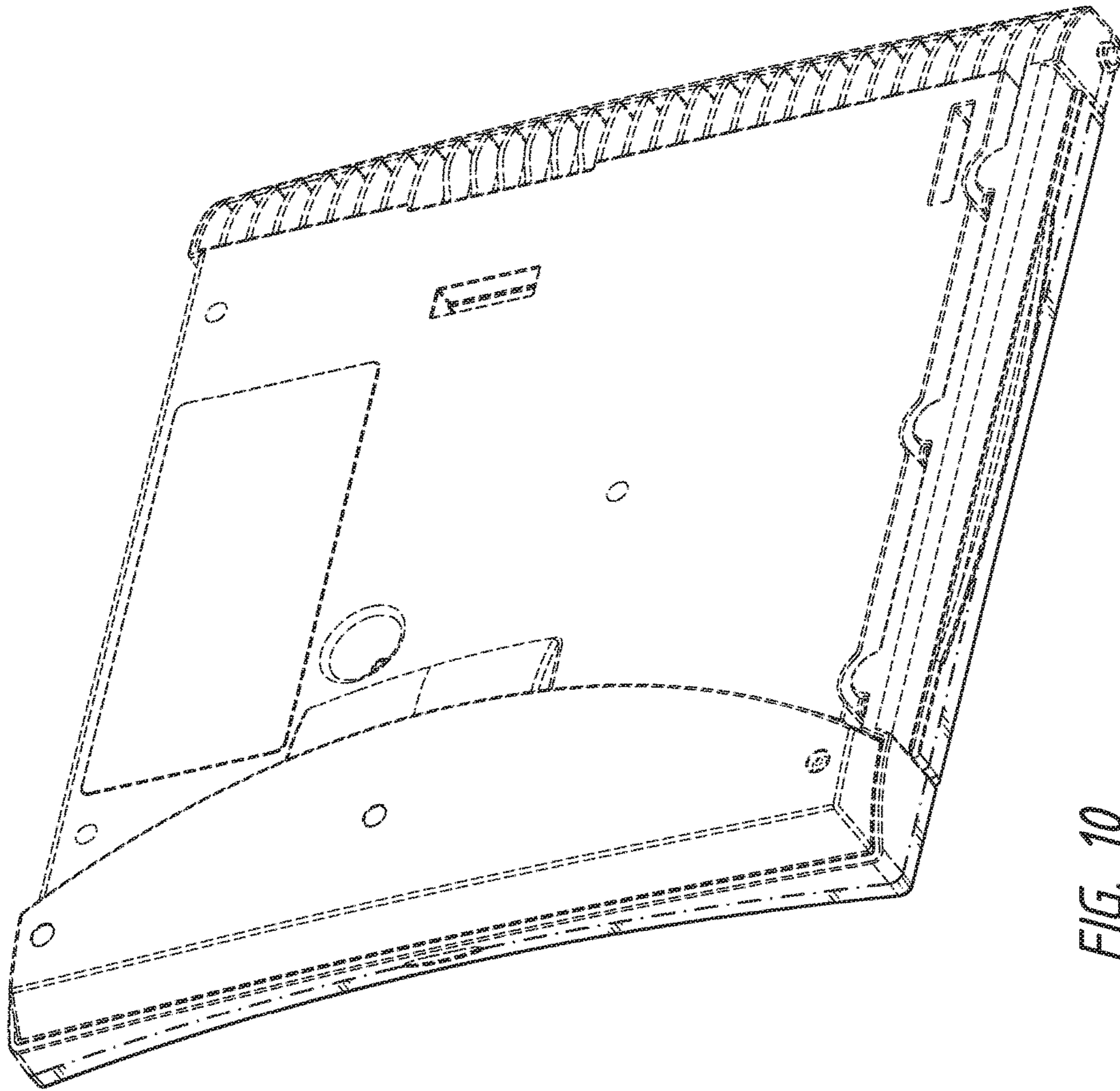


FIG. 10

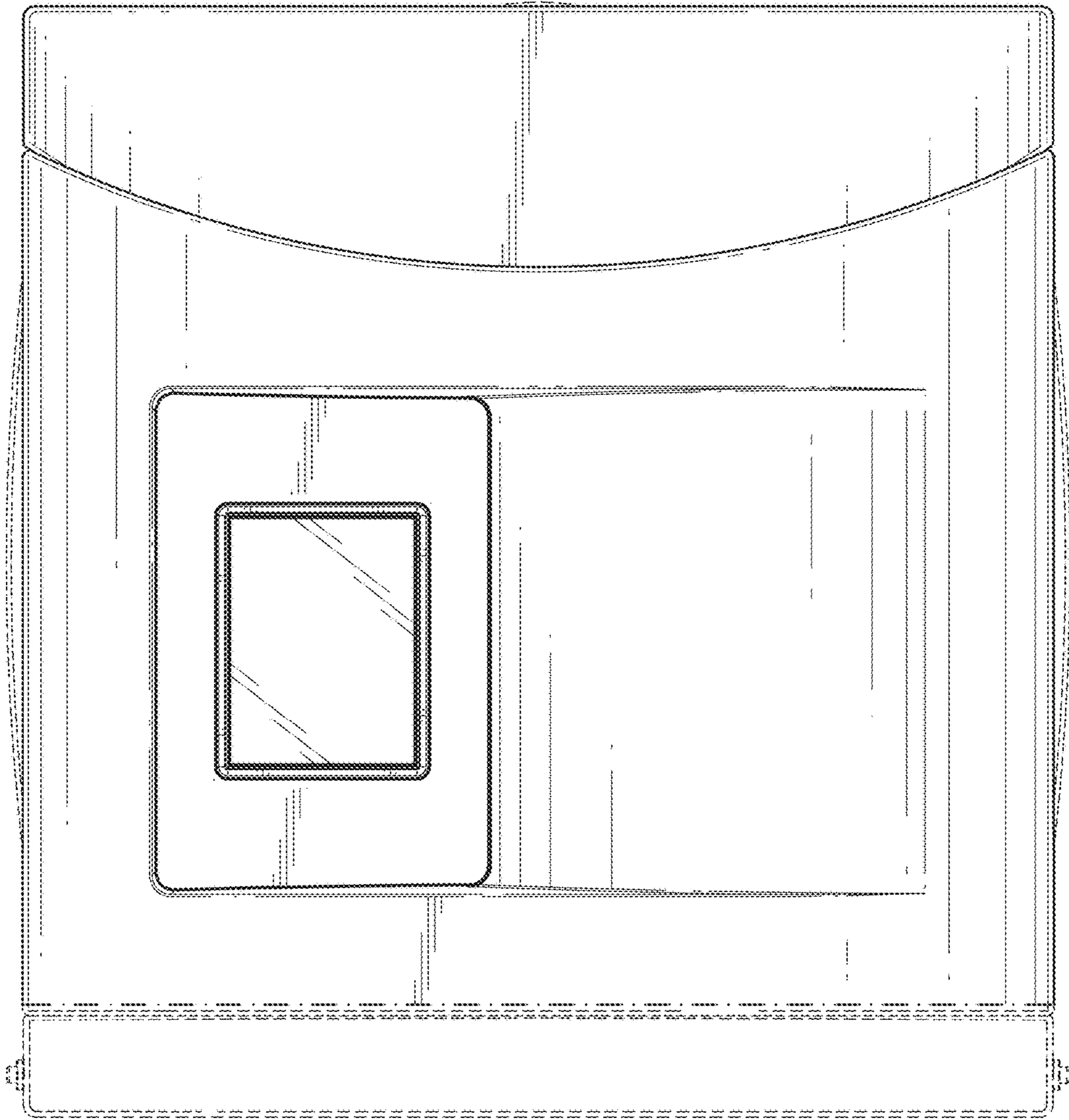


FIG. 11

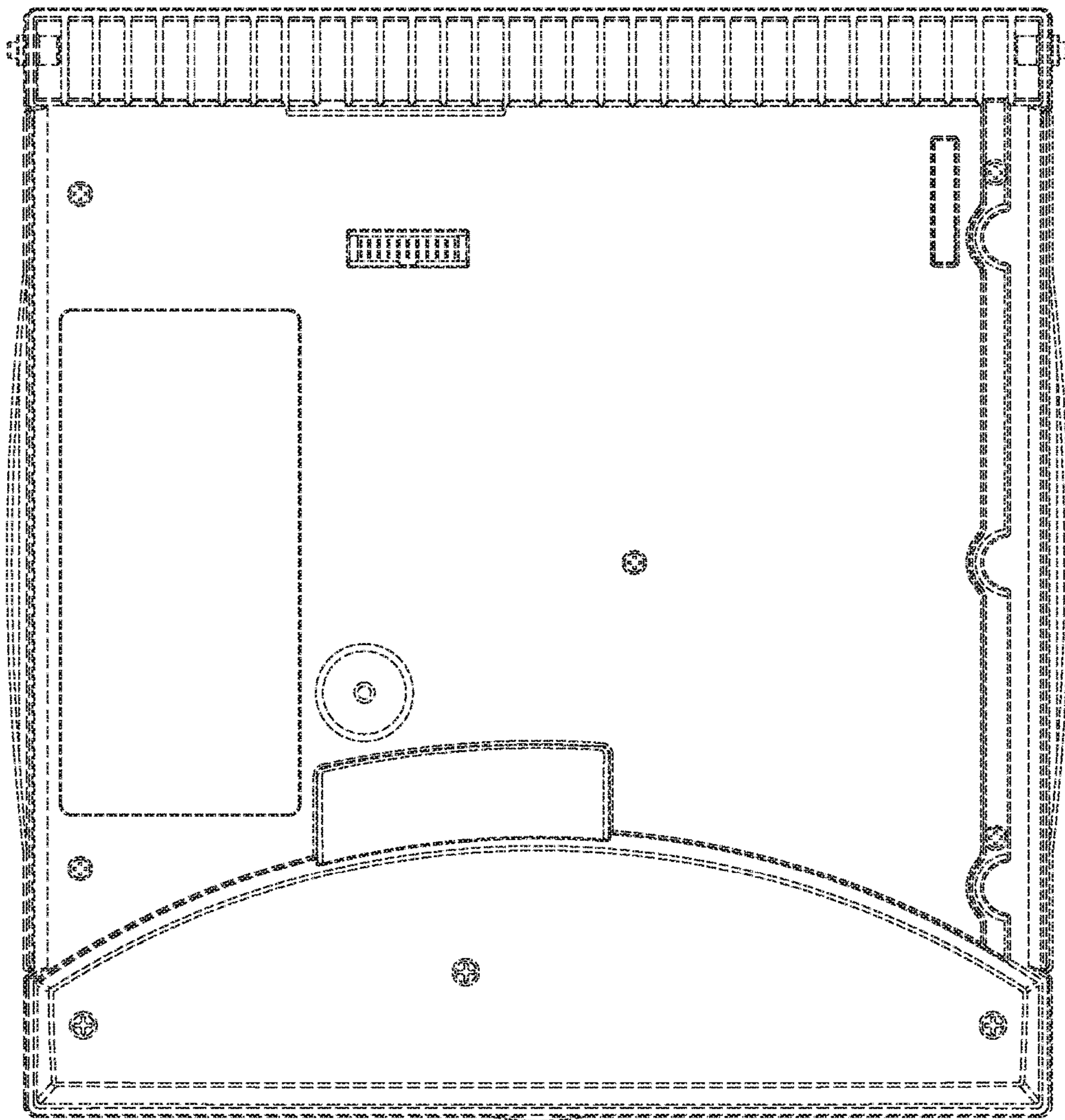


FIG. 12

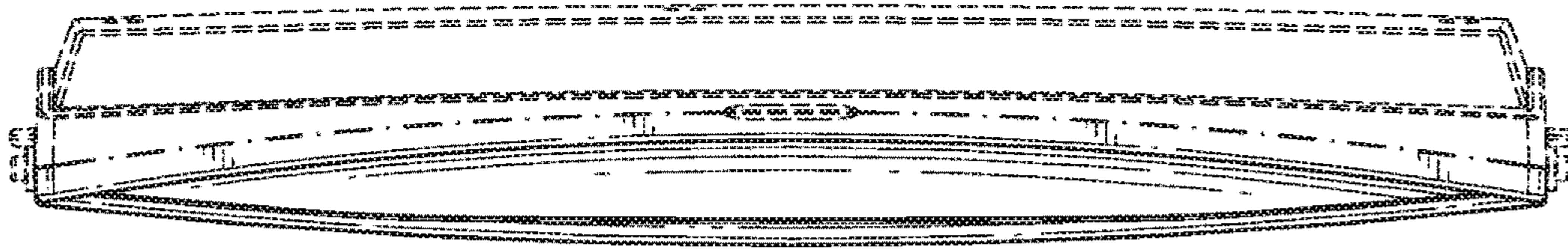


FIG. 14

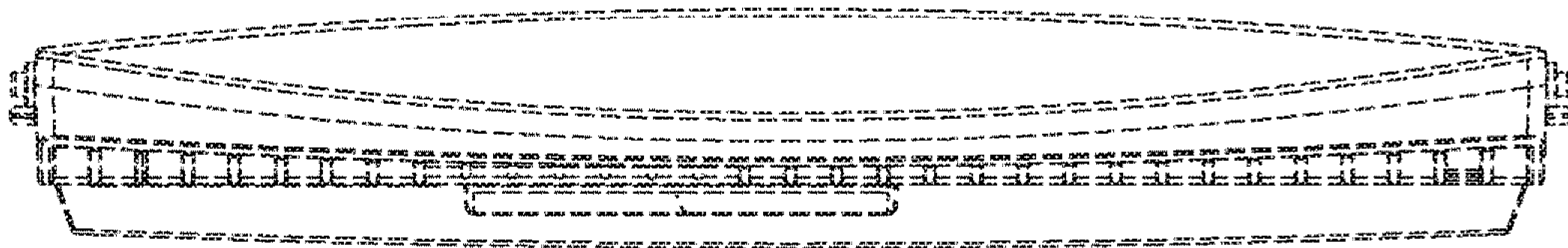


FIG. 13

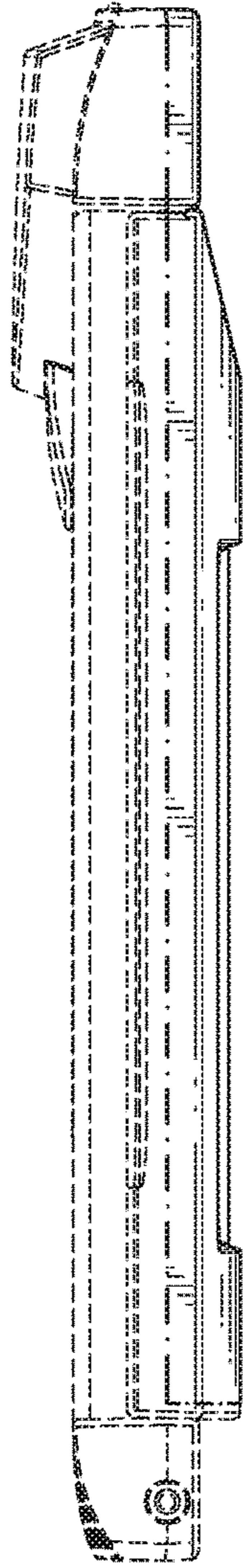


FIG. 15

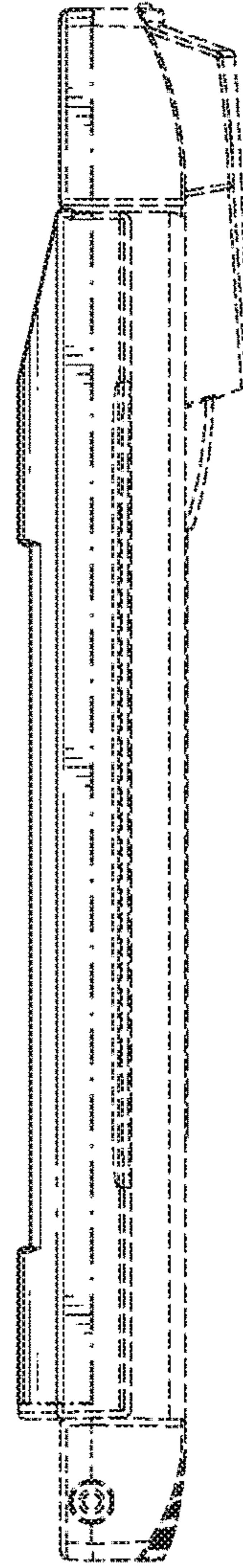


FIG. 16