



US00D853972S

(12) **United States Design Patent**  
**Eberts et al.**

(10) **Patent No.:** **US D853,972 S**  
(45) **Date of Patent:** **\*\* Jul. 16, 2019**

(54) **FACE PACK FOR ELECTRONIC LIGHTING CONTROLLER**

(71) Applicant: **Hunter Industries, Inc.**, San Marcos, CA (US)

(72) Inventors: **Carl A. Eberts**, Solana Beach, CA (US); **Stephen A. Sharp**, San Diego, CA (US)

(73) Assignee: **Hunter Industries, Inc.**, San Marcos, CA (US)

(\*\*) Term: **15 Years**

(21) Appl. No.: **29/639,057**

(22) Filed: **Mar. 2, 2018**

(51) **LOC (11) Cl.** ..... **13-03**

(52) **U.S. Cl.**  
USPC ..... **D13/162**

(58) **Field of Classification Search**  
USPC ..... D13/162, 164, 177; D10/40, 46, 49  
(Continued)

(56) **References Cited**

**U.S. PATENT DOCUMENTS**

7,225,058 B1 \* 5/2007 Porter ..... A01G 25/165  
137/624.11  
D613,255 S \* 4/2010 Paul ..... D13/162  
(Continued)

*Primary Examiner* — Selina Sikder

(74) *Attorney, Agent, or Firm* — Knobbe, Martens, Olson & Bear, LLP

(57) **CLAIM**

The ornamental design for a face pack for an electronic lighting controller, as shown and described.

**DESCRIPTION**

FIG. 1 illustrates a top, front, and right side perspective view of a face pack for an electronic lighting controller embodying a new design.

FIG. 2 illustrates a bottom, back, and right side perspective view of the face pack for an electronic lighting controller of FIG. 1.

FIG. 3 illustrates a front view of the face pack for an electronic lighting controller of FIG. 1.

FIG. 4 illustrates a back view of the face pack for an electronic lighting controller of FIG. 1.

FIG. 5 illustrates a right side view of the face pack for an electronic lighting controller of FIG. 1.

FIG. 6 illustrates a left side view of the face pack for an electronic lighting controller of FIG. 1.

FIG. 7 illustrates a top view of the face pack for an electronic lighting controller of FIG. 1.

FIG. 8 illustrates a bottom view of the face pack for an electronic lighting controller of FIG. 1.

FIG. 9 illustrates a top, front, and right side perspective view of a face pack for an electronic lighting controller embodying a new design.

FIG. 10 illustrates a bottom, back, and right side perspective view of the face pack for an electronic lighting controller of FIG. 9.

FIG. 11 illustrates a front view of the face pack for an electronic lighting controller of FIG. 9.

FIG. 12 illustrates a back view of the face pack for an electronic lighting controller of FIG. 9.

FIG. 13 illustrates a right side view of the face pack for an electronic lighting controller of FIG. 9.

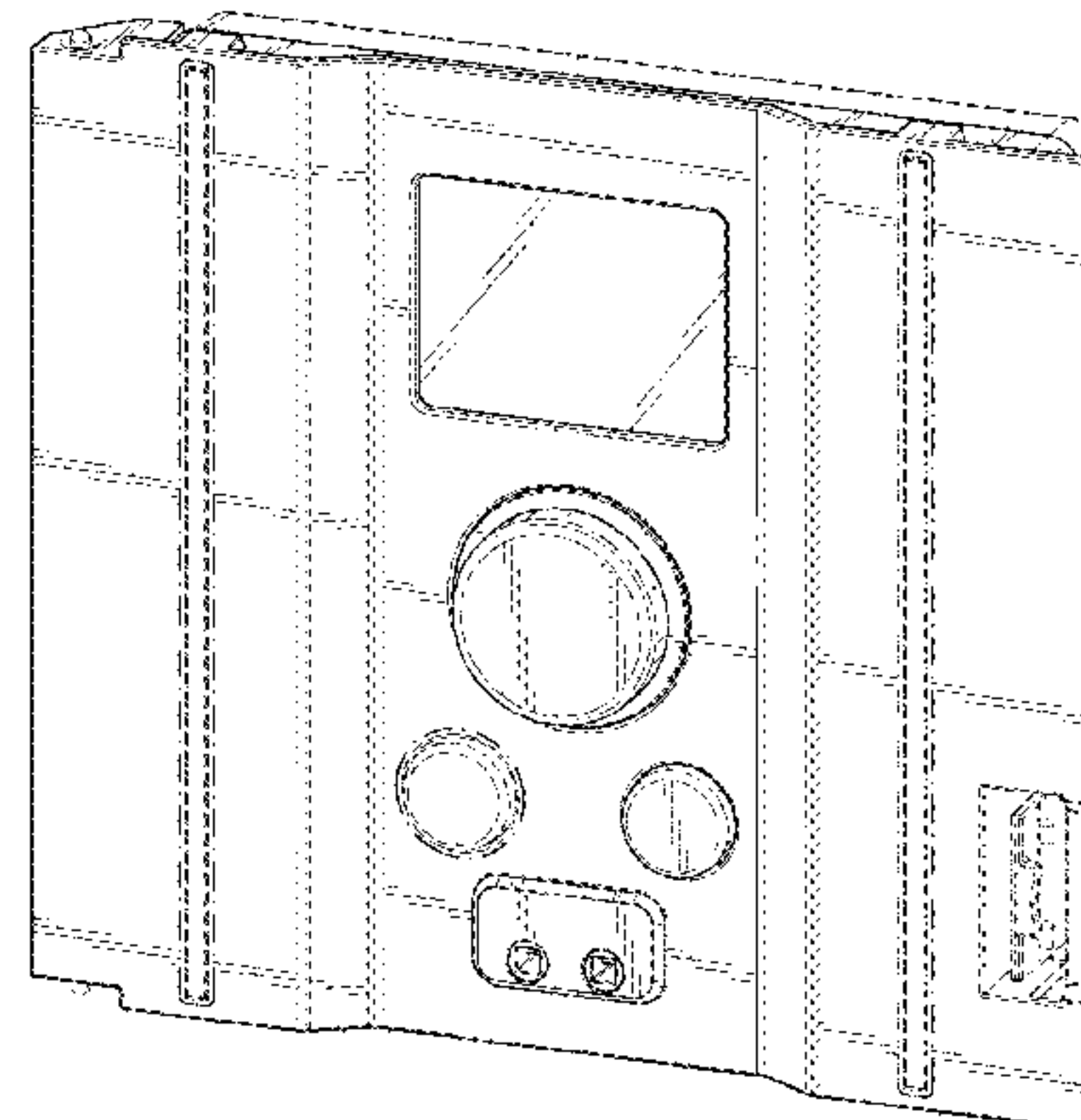
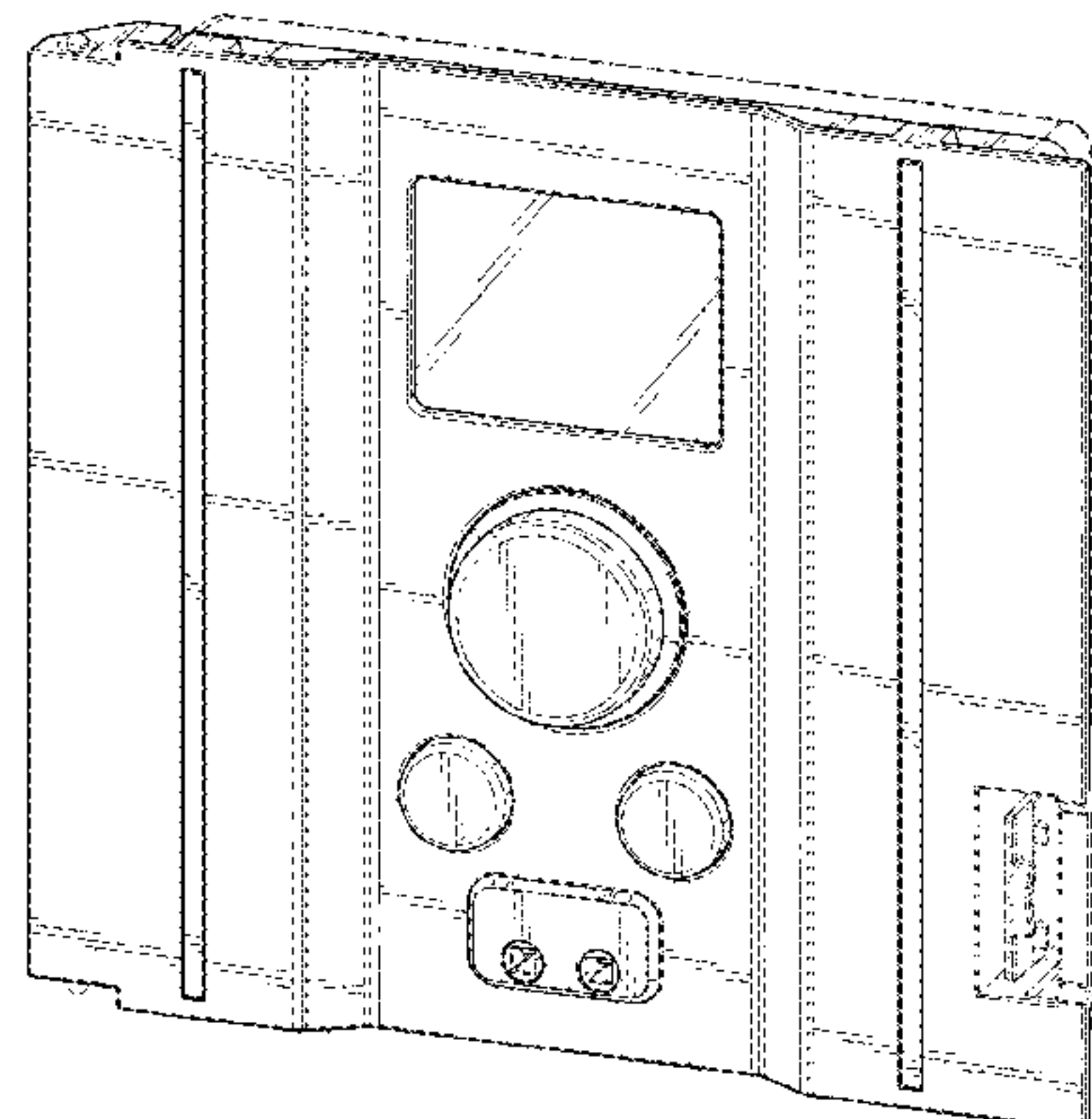
FIG. 14 illustrates a left side view of the face pack for an electronic lighting controller of FIG. 9.

FIG. 15 illustrates a top view of the face pack for an electronic lighting controller of FIG. 9; and,

FIG. 16 illustrates a bottom view of the face pack for an electronic lighting controller of FIG. 9.

Broken lines are used to illustrate features of the face pack for an electronic lighting controller which form no part of the claimed design. Dot-dash lines are used to illustrate boundary lines and form no part of the claimed design.

**1 Claim, 12 Drawing Sheets**



(58) **Field of Classification Search**

CPC .. H02G 3/14; H05B 37/0209; H05B 37/0218;  
H05B 37/0281; H05B 37/029; F05K  
5/0017; F05K 5/0026; Y02B 20/42  
See application file for complete search history.

(56) **References Cited**

U.S. PATENT DOCUMENTS

7,953,517	B1 *	5/2011	Porter	.....	A01G 25/165 700/284
D680,501	S *	4/2013	Elliott	.....	H05K 5/0017 D13/162
D691,968	S *	10/2013	Schmuckle	.....	D13/162
8,867,194	B2 *	10/2014	Woytowitz	.....	H05K 5/0017 361/600
8,957,588	B1 *	2/2015	Ericksen	.....	H05B 37/0218 315/153
9,577,415	B1 *	2/2017	Veloskey	.....	H02G 3/14
D797,682	S *	9/2017	Sharp	.....	D13/162
D808,908	S *	1/2018	Paul	.....	D13/162
10,069,284	B1 *	9/2018	Paul	.....	H02B 1/44
D838,238	S *	1/2019	Wu	.....	D13/102

\* cited by examiner

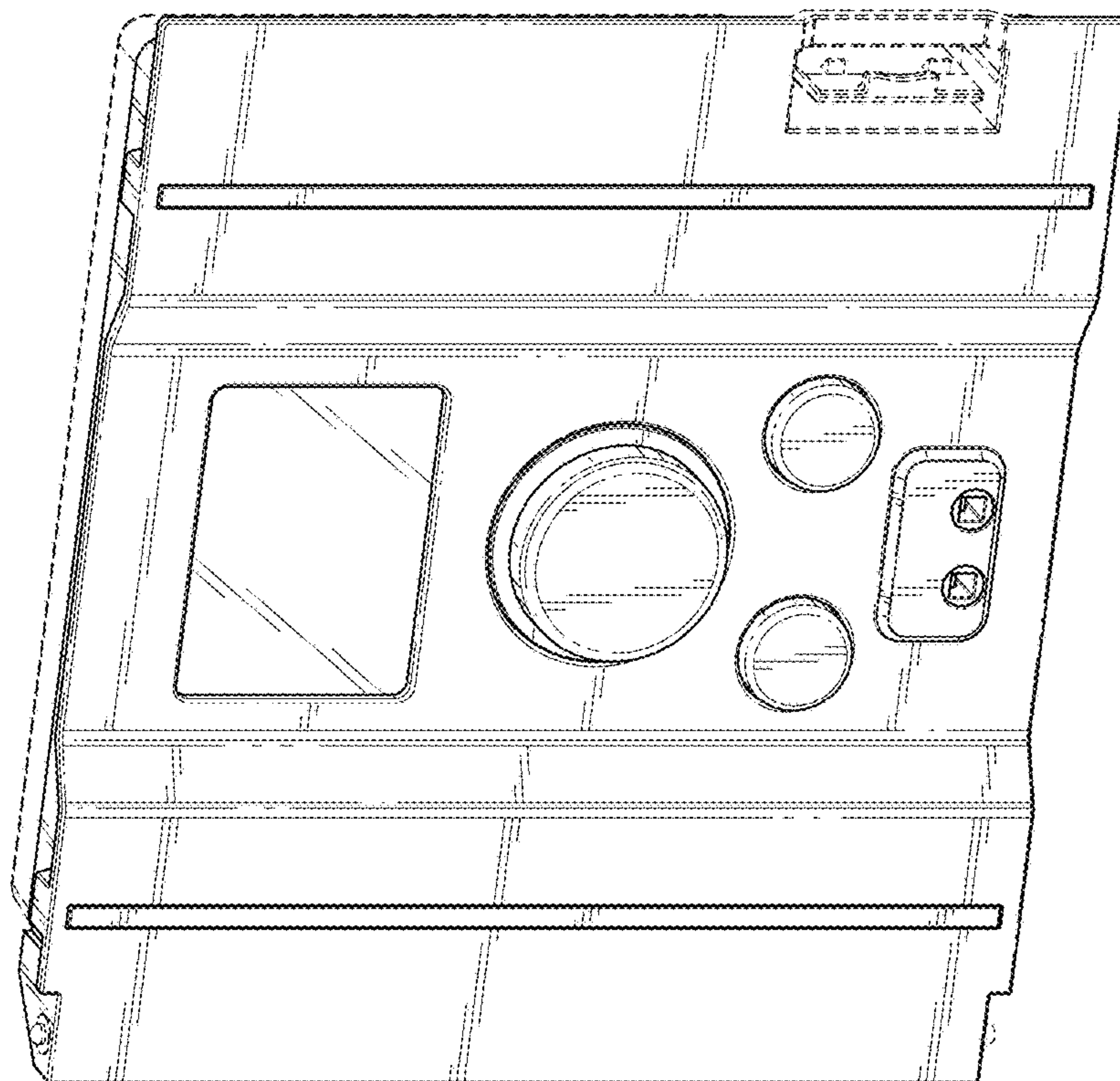


FIG. 1

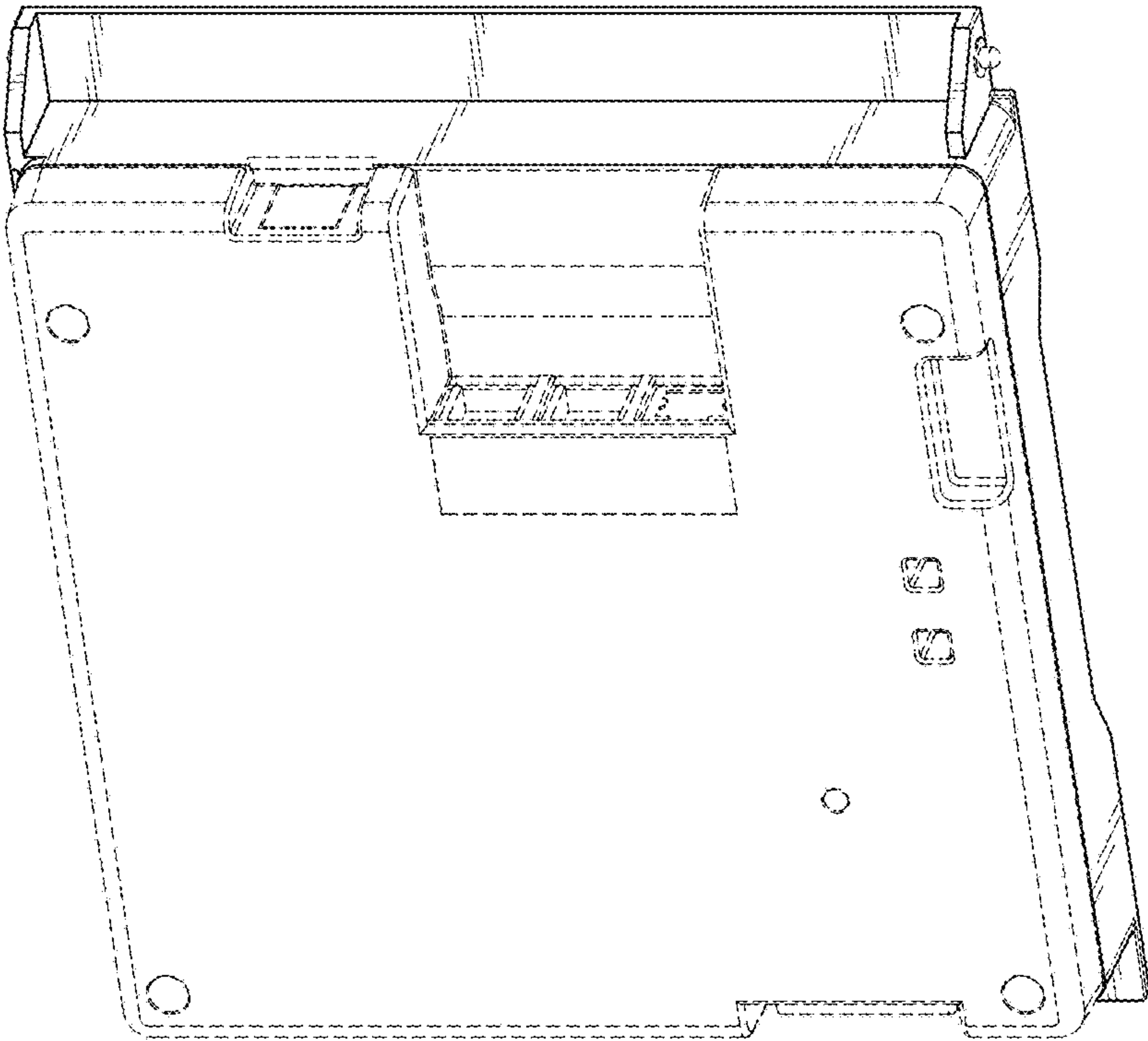


FIG. 2



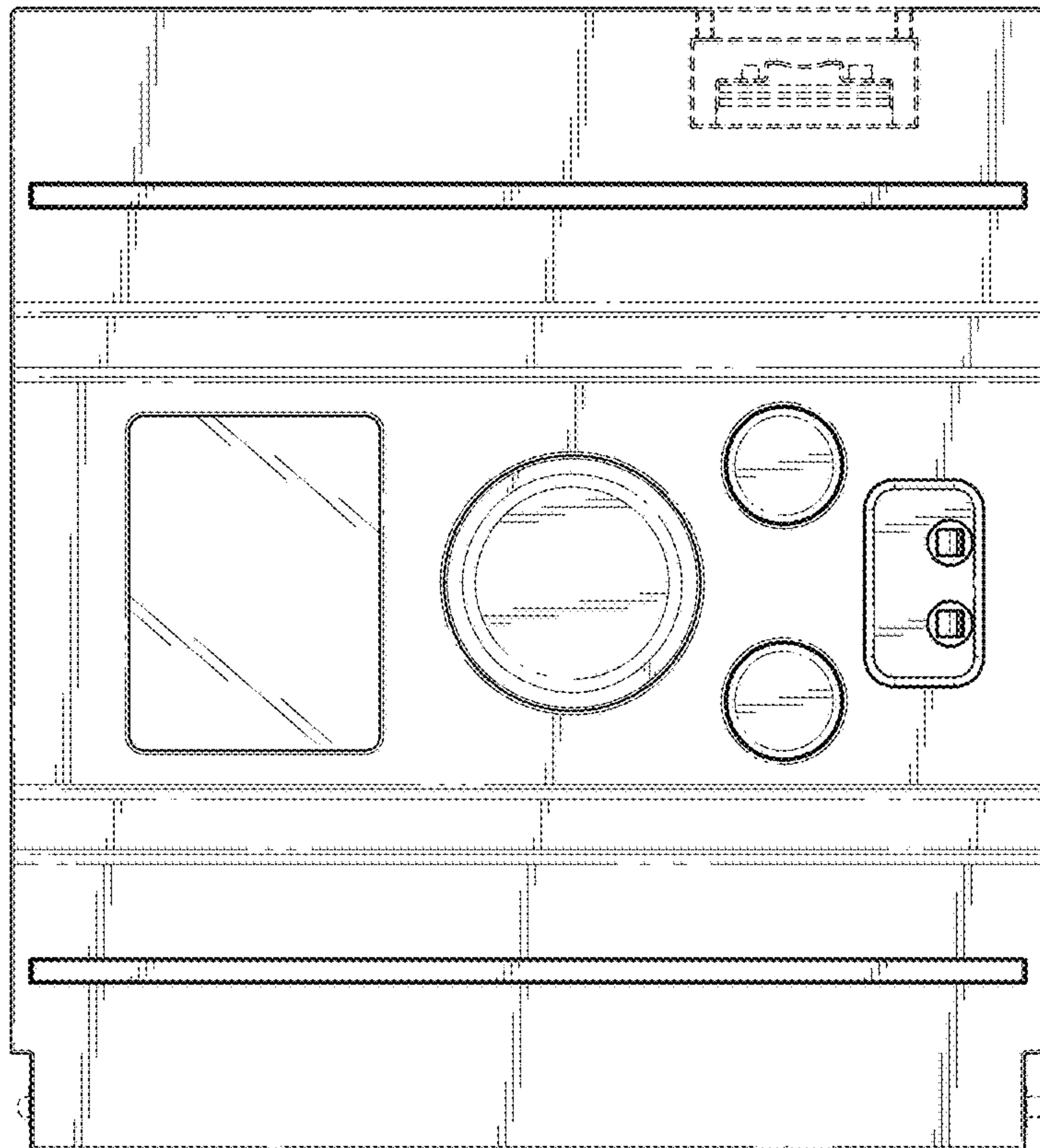


FIG. 3

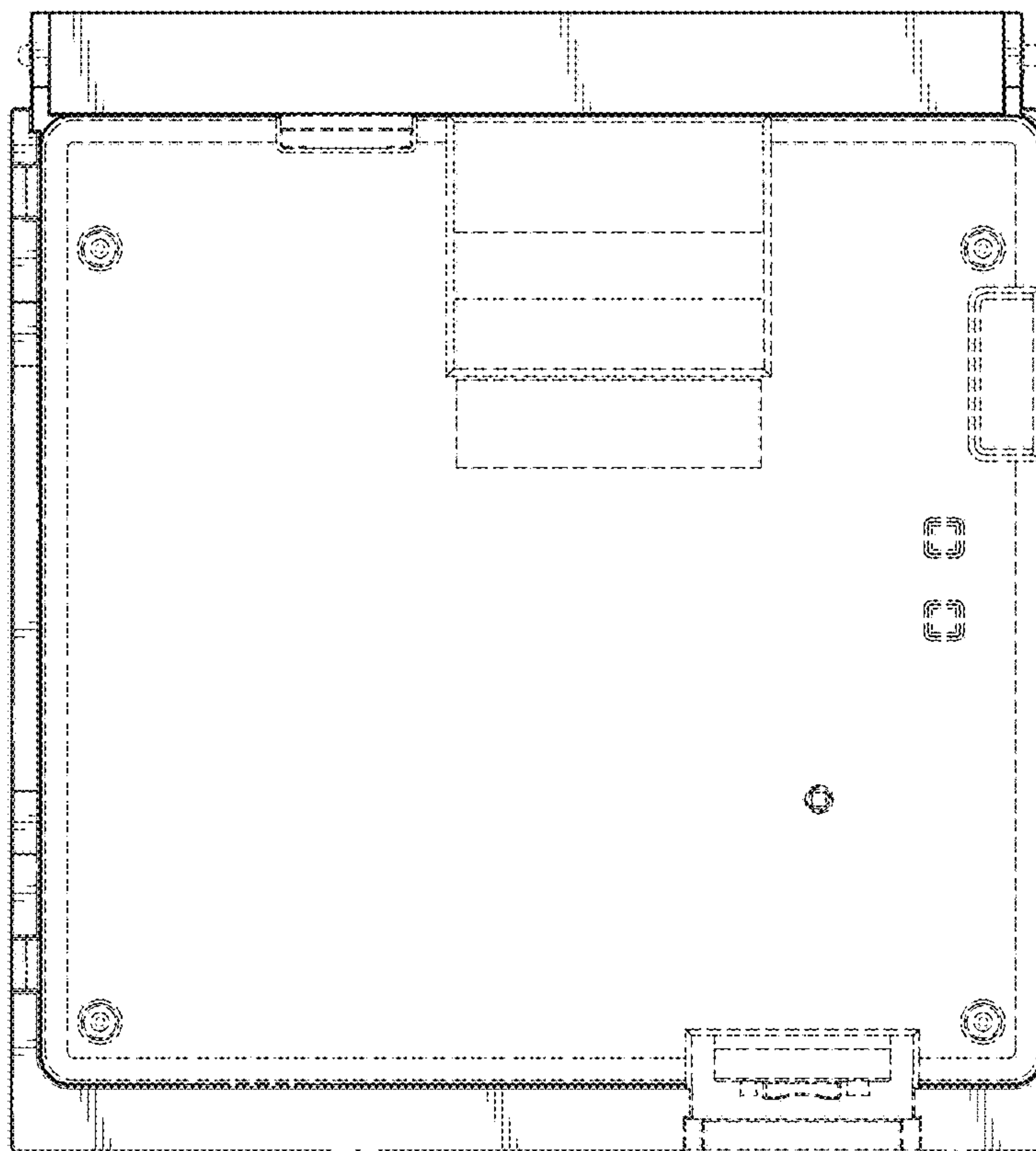


FIG. 4

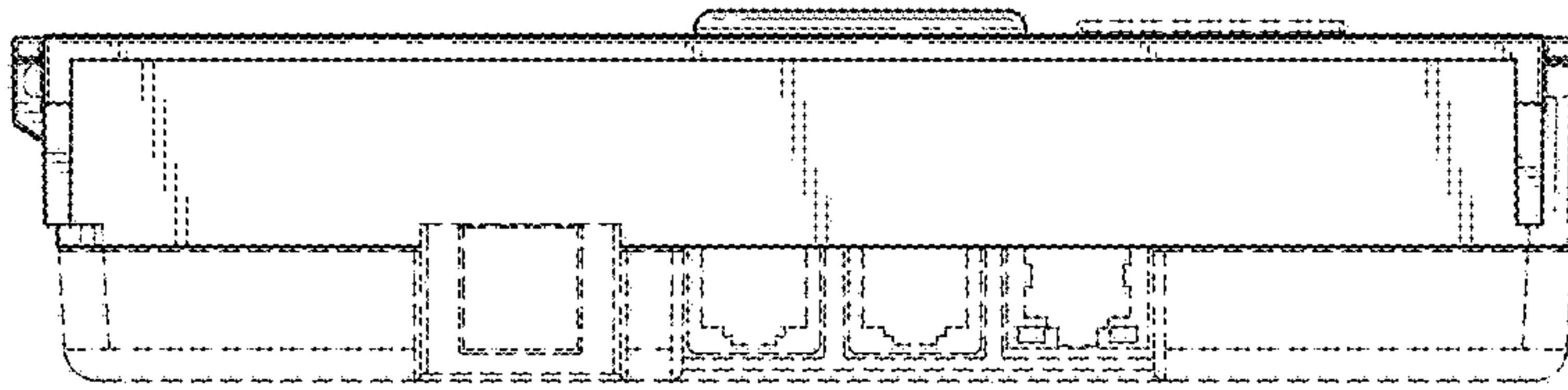


FIG. 6

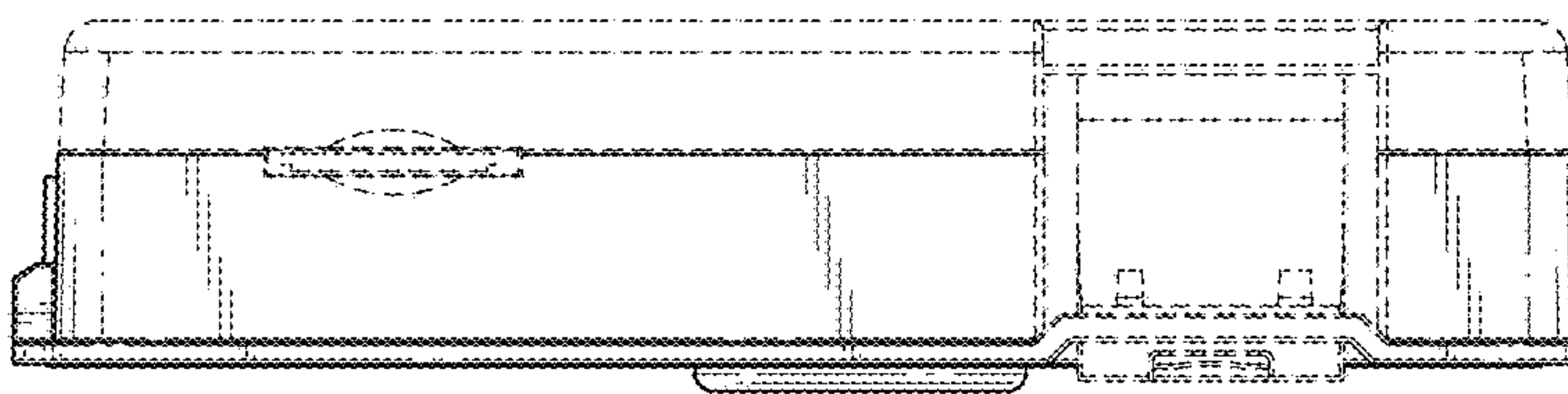


FIG. 5

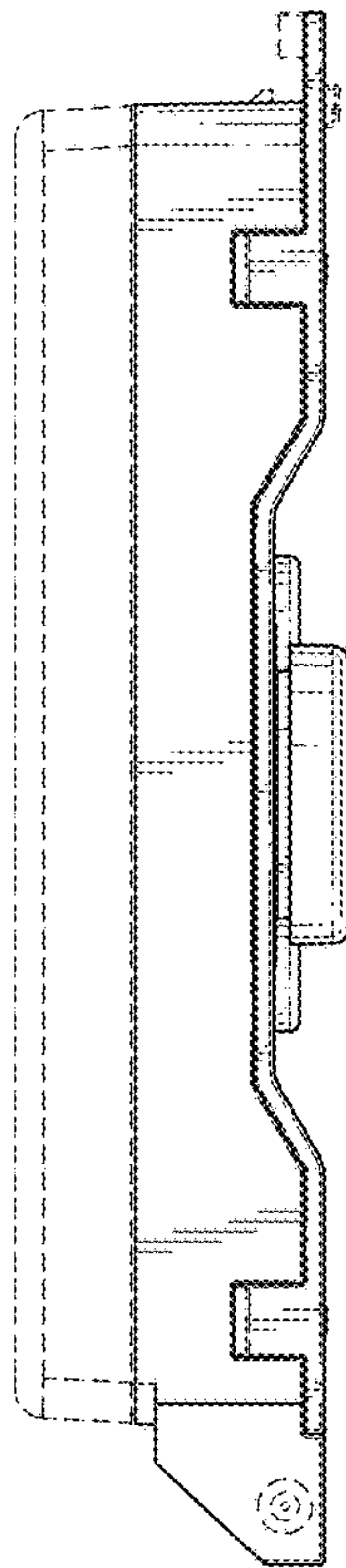


FIG. 7

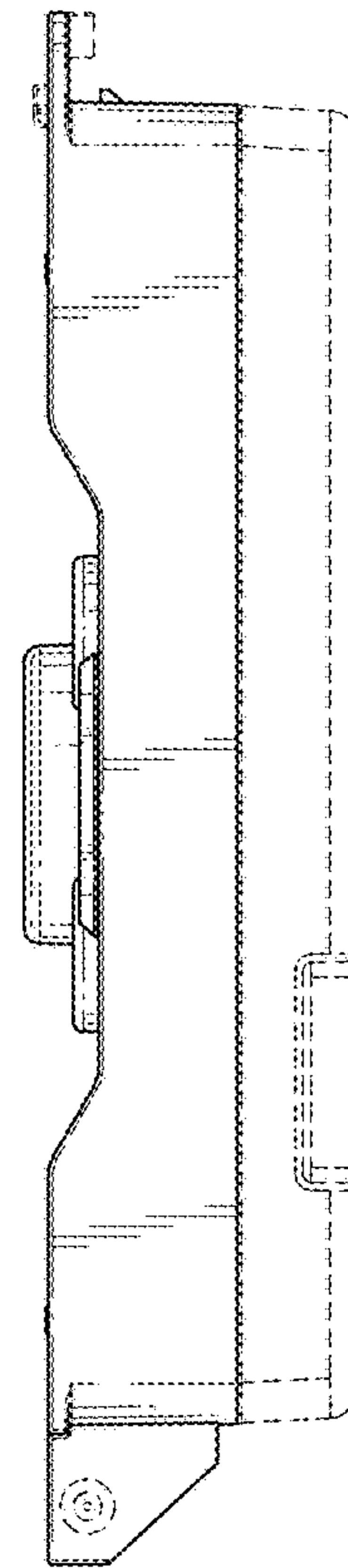


FIG. 8



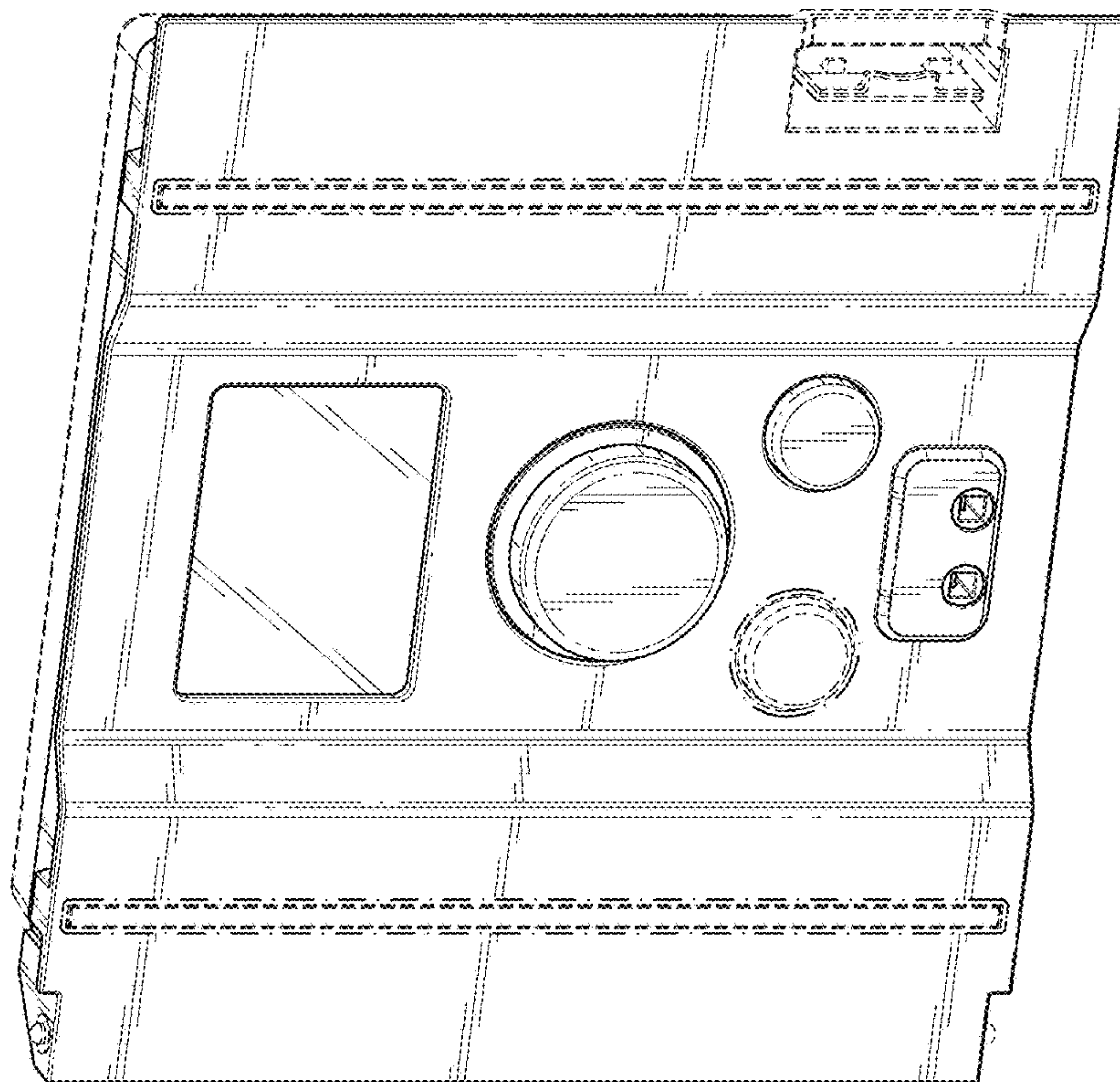


FIG. 9

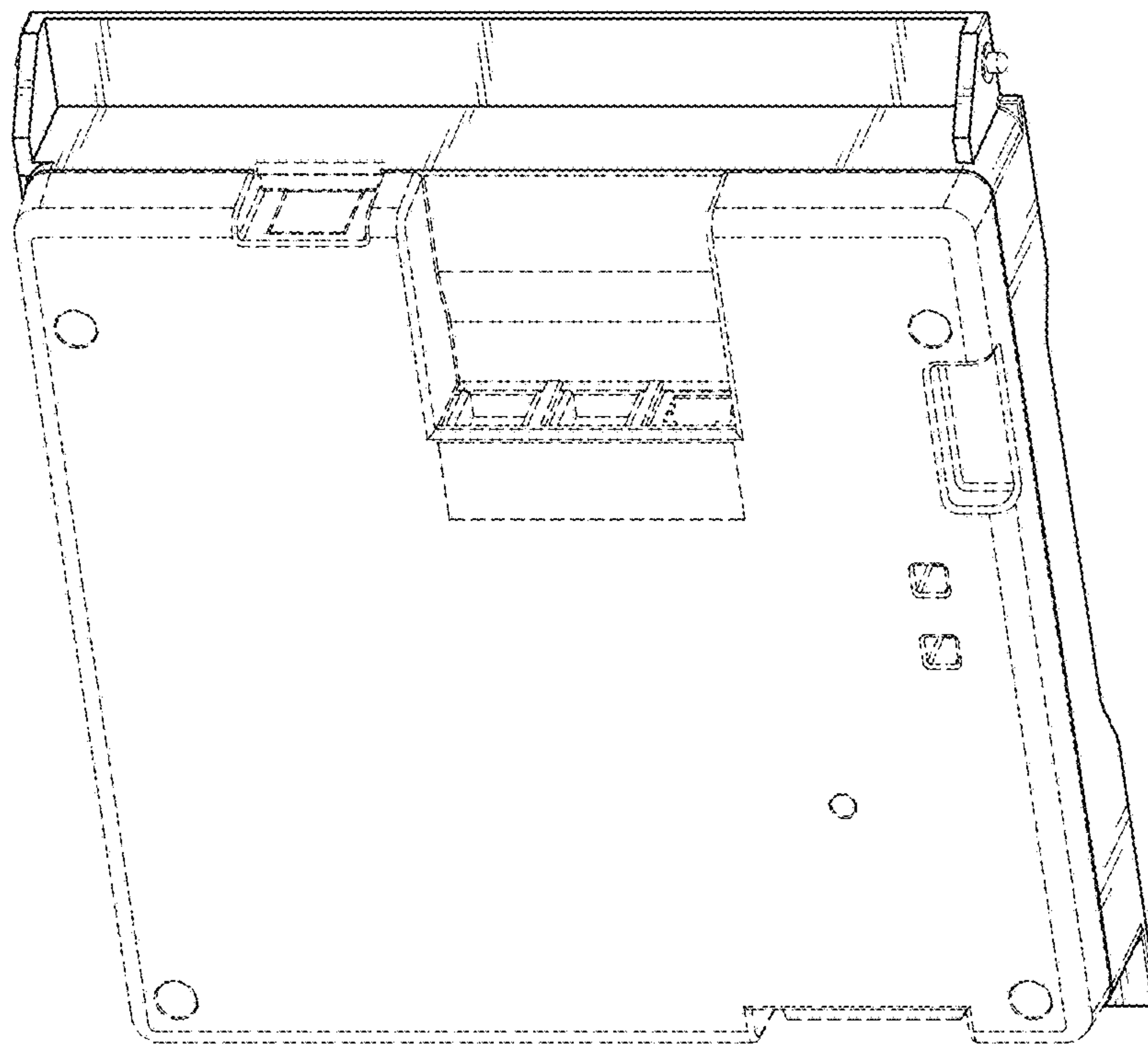


FIG. 10

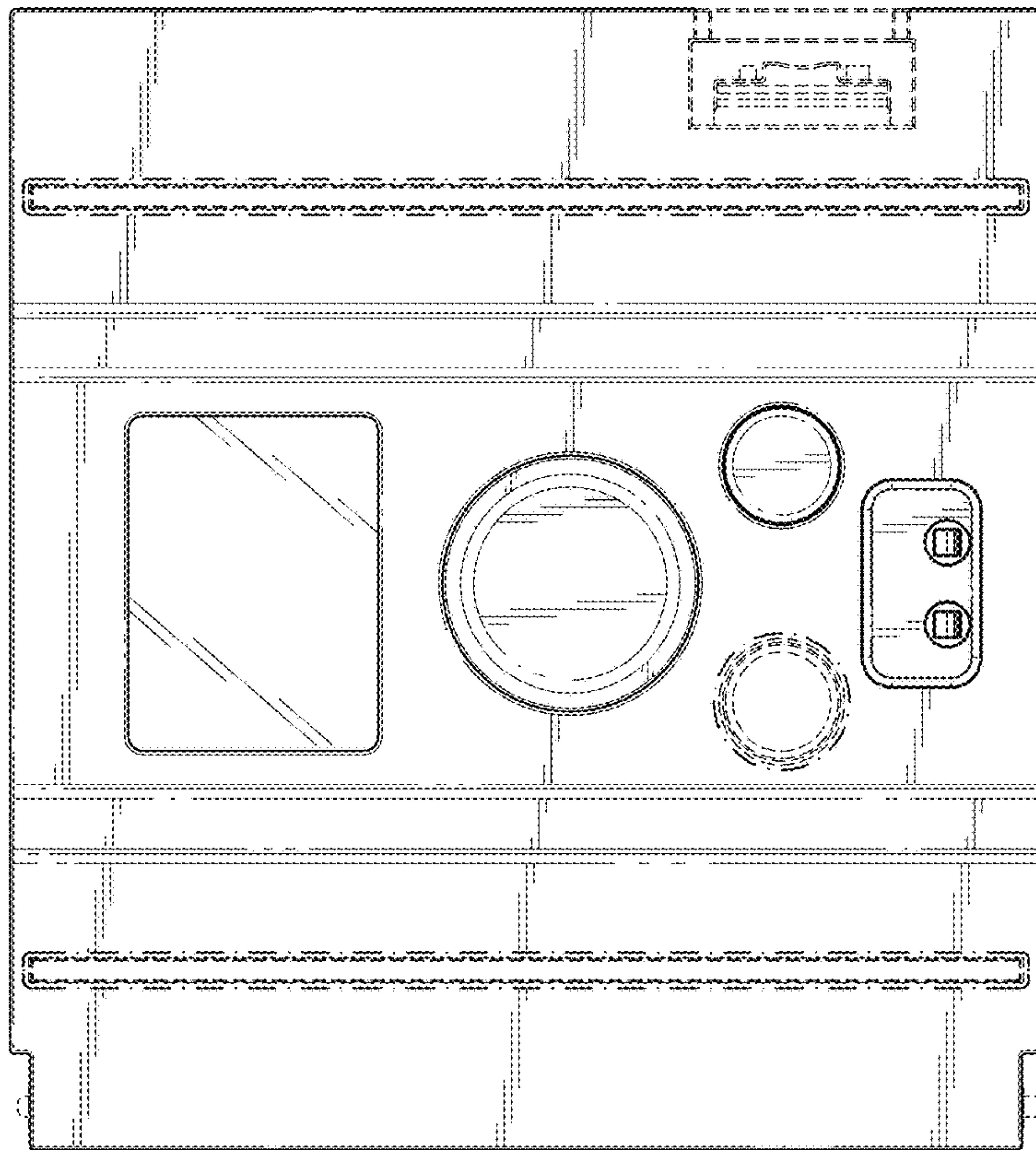


FIG. 11

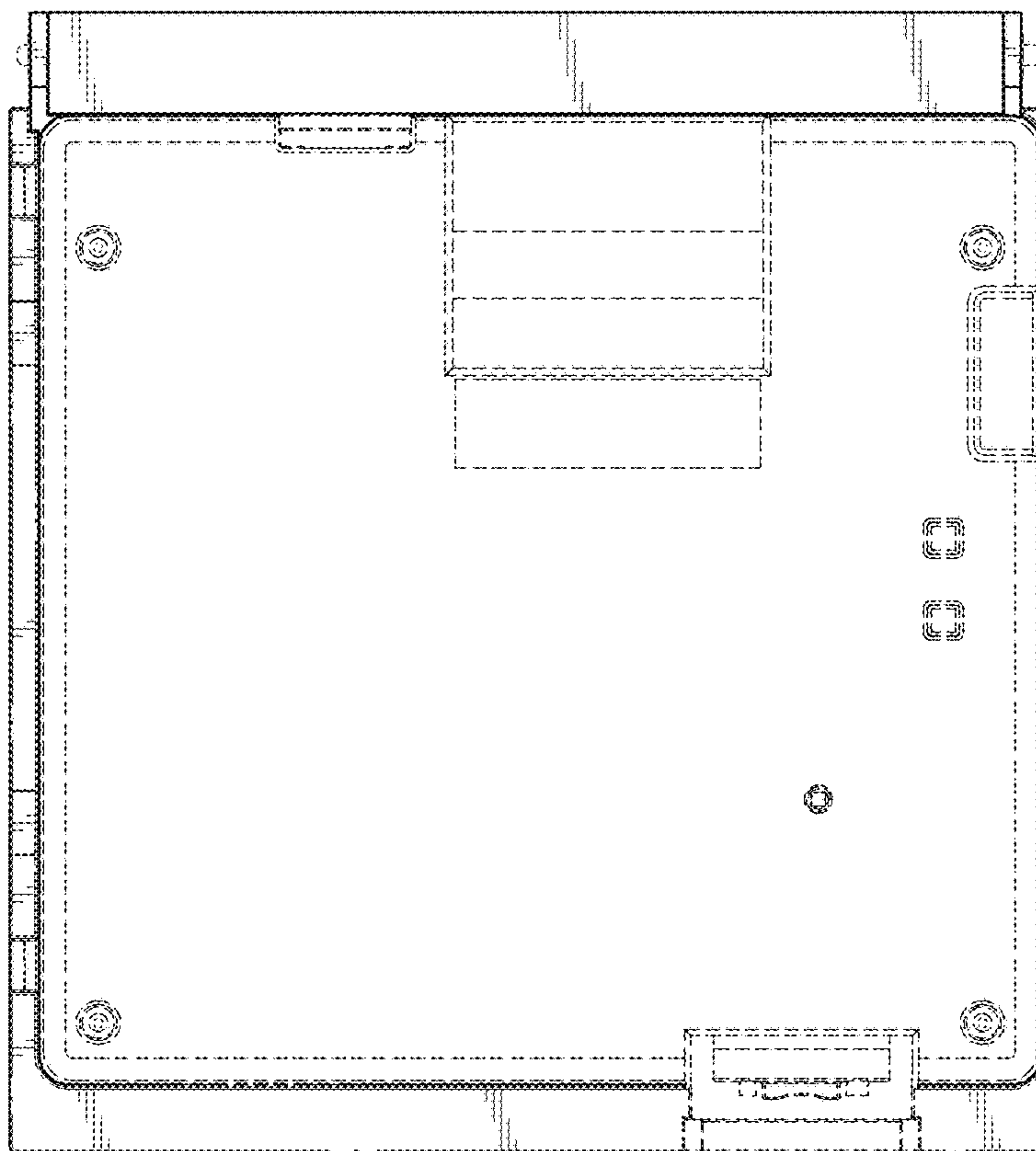


FIG. 12

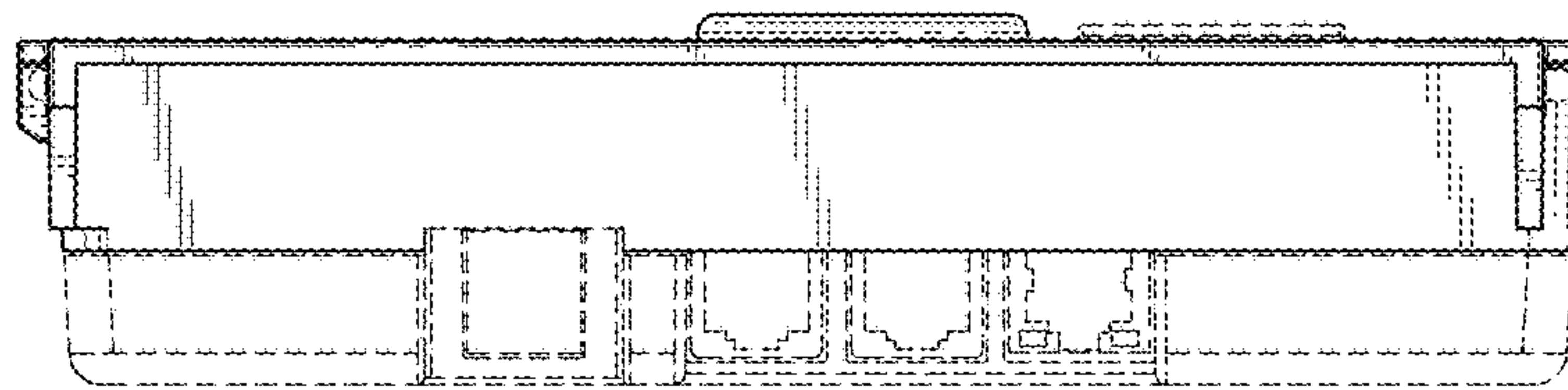


FIG. 14

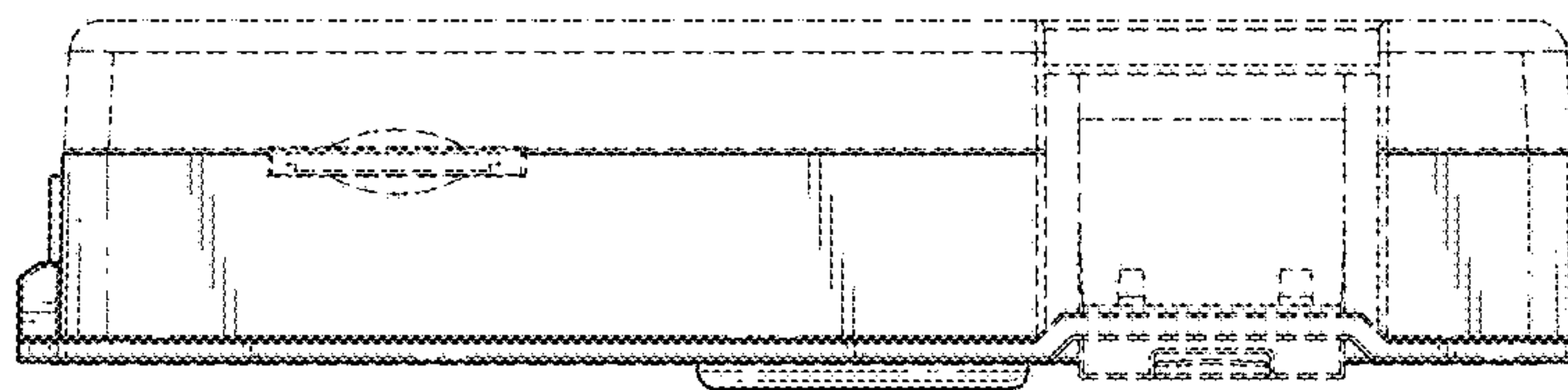


FIG. 13



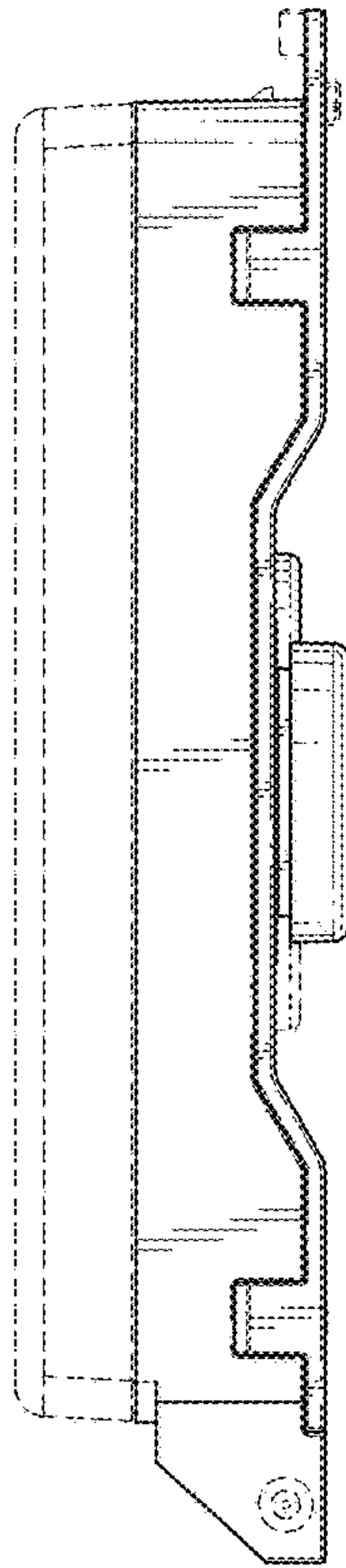


FIG. 15

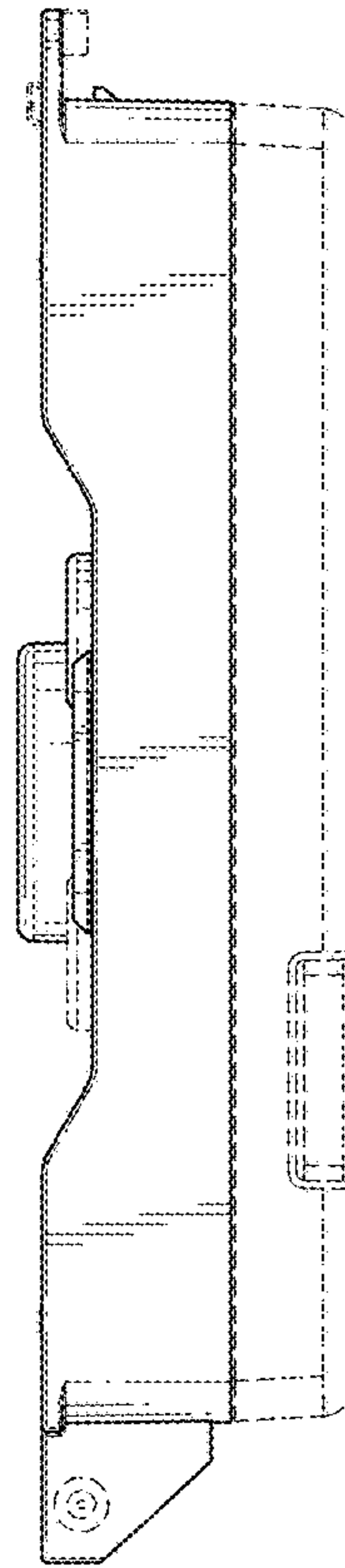


FIG. 16