



US00D853971S

(12) **United States Design Patent** (10) **Patent No.:** **US D853,971 S**
Hayes (45) **Date of Patent:** **** Jul. 16, 2019**

(54) **SWITCH WITH TRIM PLATE**
(71) Applicant: **ECOBEE INC.**, Toronto (CA)
(72) Inventor: **Jonathan Hayes**, Cambridge, MA (US)
(73) Assignee: **ECOBEE INC.**, Toronto (CA)

(**) Term: **15 Years**

(21) Appl. No.: **29/602,424**

(22) Filed: **May 1, 2017**

(51) **LOC (11) Cl.** **13-03**

(52) **U.S. Cl.**
USPC **D13/162**; D10/106.8

(58) **Field of Classification Search**
USPC D13/162, 164, 171; D10/106.8
CPC H01H 3/02; H01H 3/0213; H01H 3/12;
H01H 3/122; H01H 9/02; H01H 9/16;
H01H 9/161; H01H 9/18; H05B 33/0803;
H05B 33/0863; H05B 37/0227; H05B
37/0272; H05B 39/02; H05B 39/085;
H05B 39/086; H05B 39/088
See application file for complete search history.

(56) **References Cited**

U.S. PATENT DOCUMENTS

D380,452 S * 7/1997 Mix D10/104.1
D472,486 S * 4/2003 Eckel D10/106.8
D535,204 S * 1/2007 Bender D10/106.8
D565,984 S * 4/2008 Lidong D10/106.8
D654,030 S * 2/2012 Hoffknecht D13/164
D706,726 S * 6/2014 Mathew D10/106.8
9,136,839 B2 * 9/2015 Ni H03K 17/941
D744,960 S * 12/2015 Branham D13/162

D755,732 S * 5/2016 Moeller D13/162
D781,245 S * 3/2017 Okawa D13/162
D781,792 S * 3/2017 Okawa D13/162
2009/0058193 A1 * 3/2009 Reid H05B 37/0227
307/116
2011/0253516 A1 * 10/2011 Figueroa H01H 9/161
200/297

* cited by examiner

Primary Examiner — Selina Sikder

(74) *Attorney, Agent, or Firm* — Perry + Currier Inc.

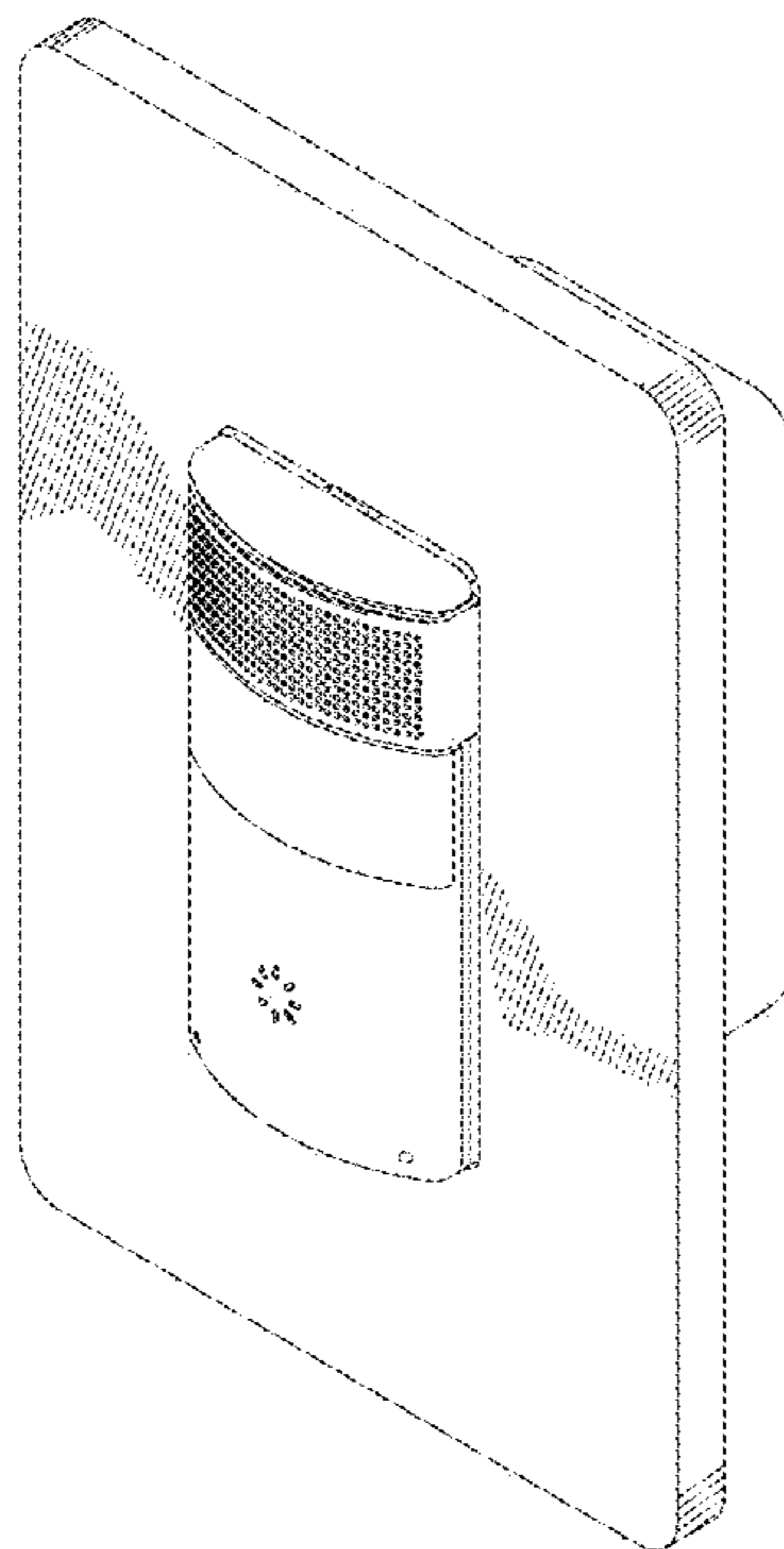
(57) **CLAIM**

I claim the ornamental design for a switch with trim plate, as shown and described.

DESCRIPTION

FIG. 1 is a perspective view of the switch with trim plate showing my new design;
FIG. 2 is a front elevation view thereof;
FIG. 3 is a rear elevation view thereof;
FIG. 4 is a top plan view thereof;
FIG. 5 is a bottom plan view;
FIG. 6 is a left side elevation view thereof;
FIG. 7 is right side elevation view thereof; and,
FIG. 8 is a perspective view of the switch of FIG. 1 with the trim plate excluded to show portions of the design not visible in the other views.
The broken lines shown in the drawings views are for illustrative purposes only and form no part of the claimed design.

1 Claim, 6 Drawing Sheets



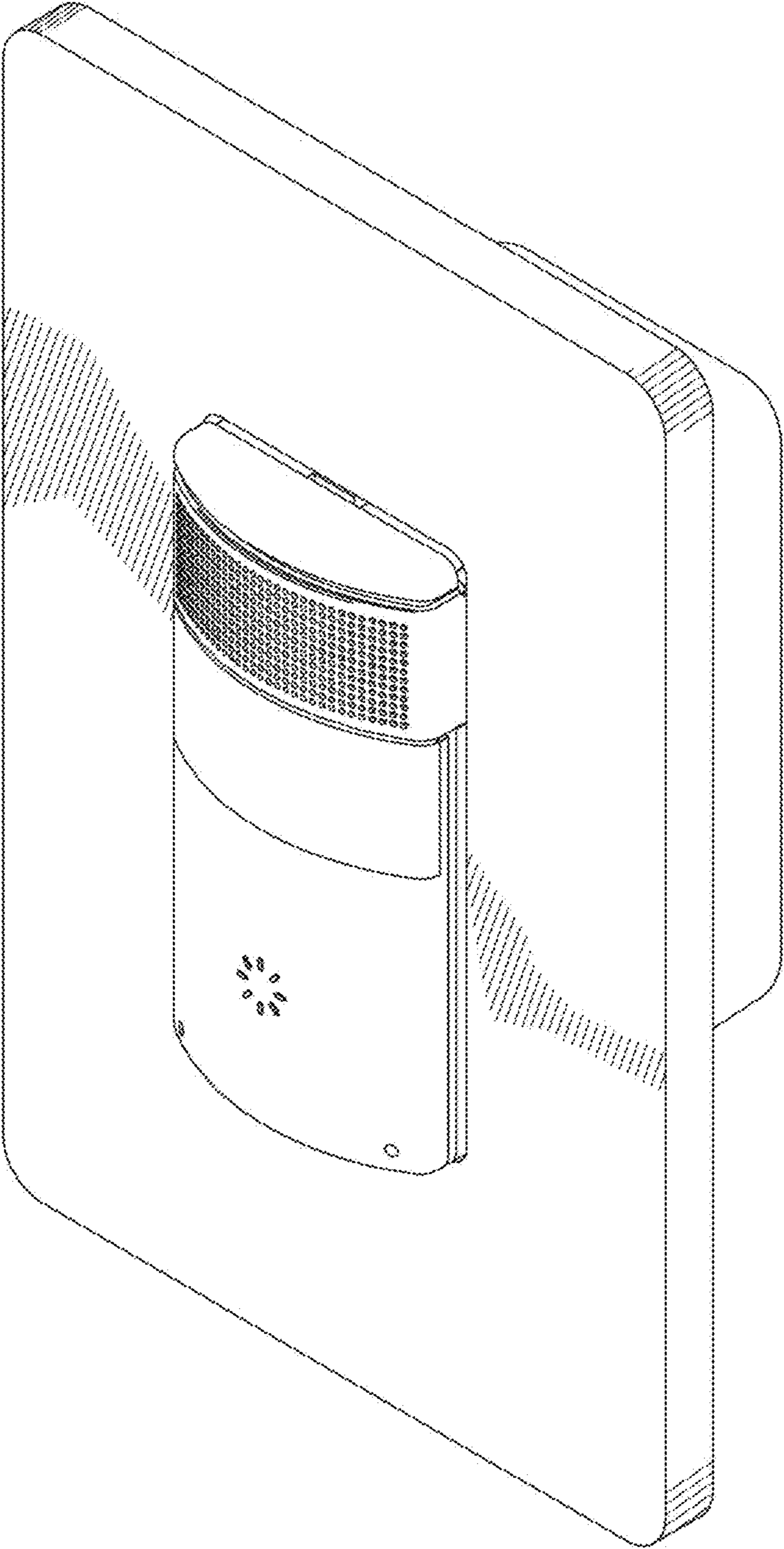


FIG. 1

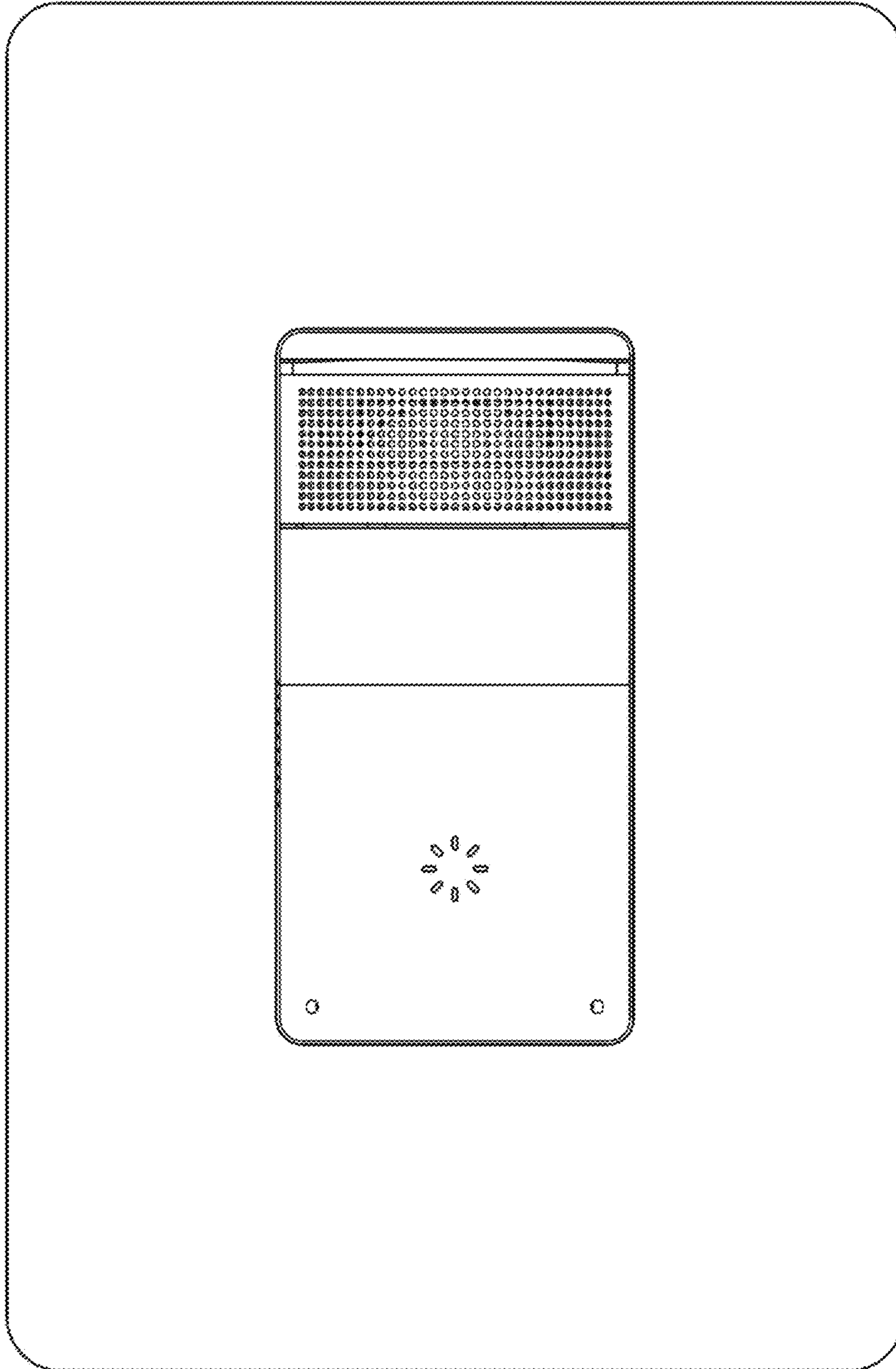


FIG. 2

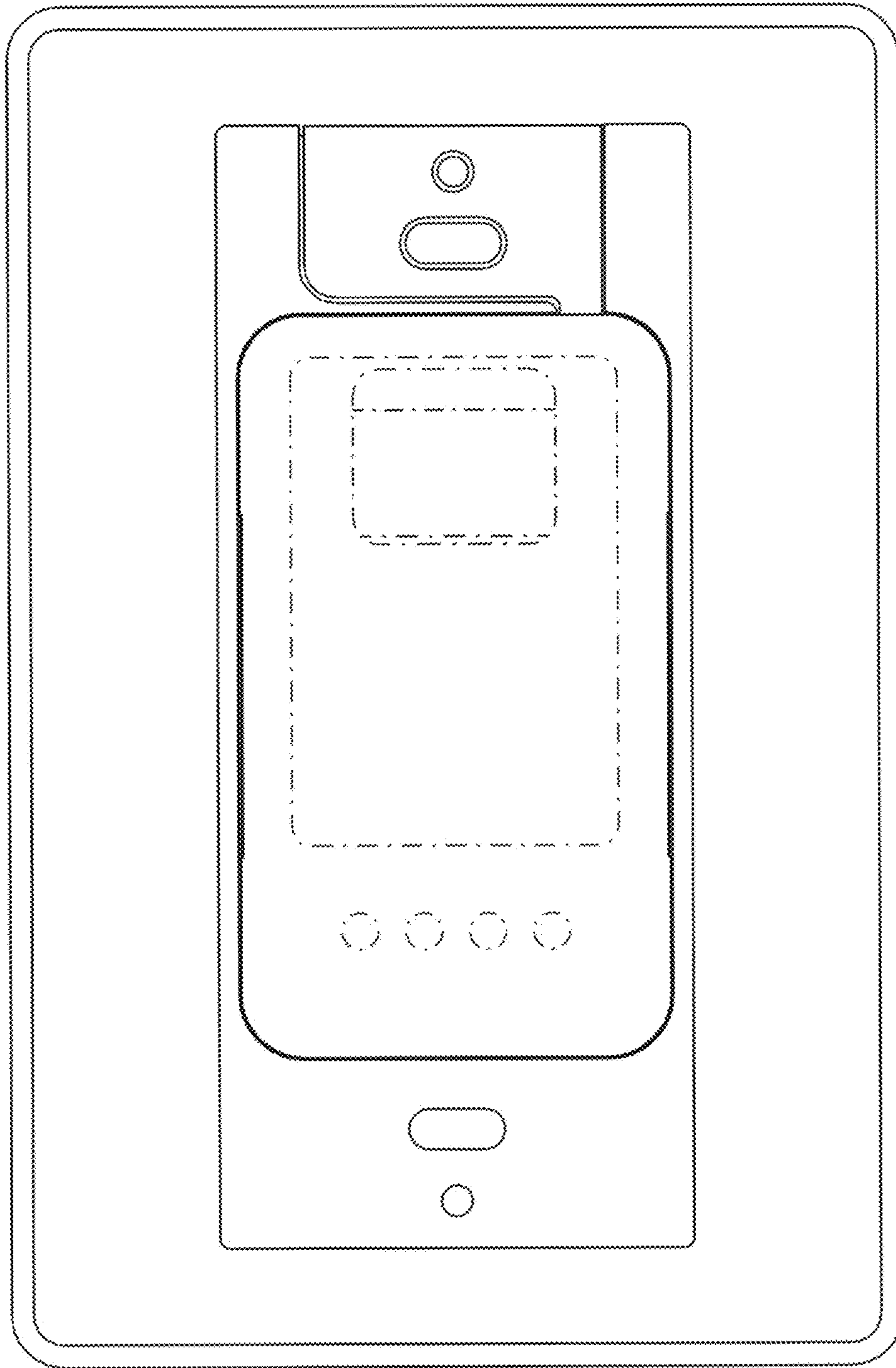


FIG. 3

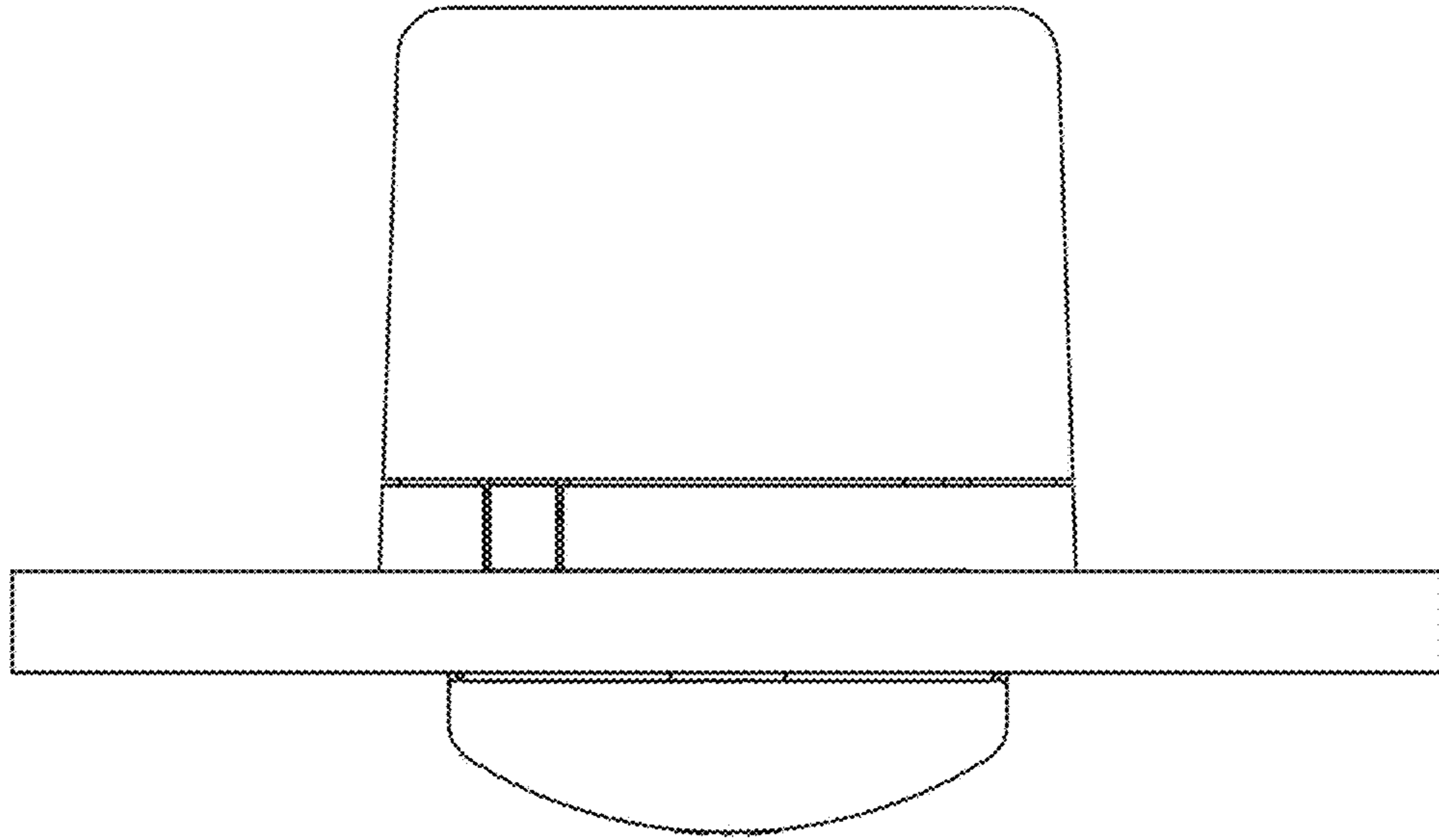


FIG. 4

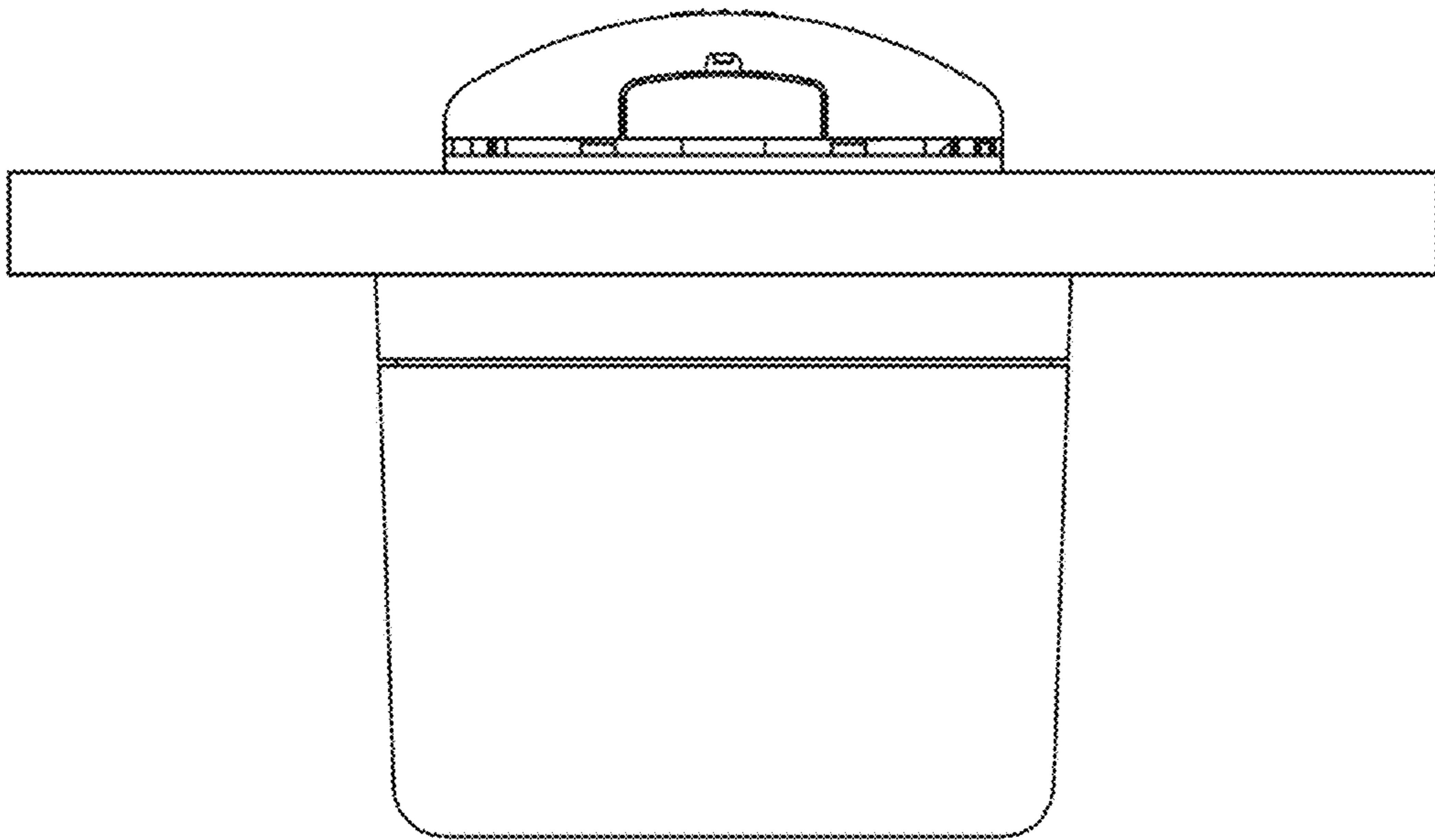


FIG. 5

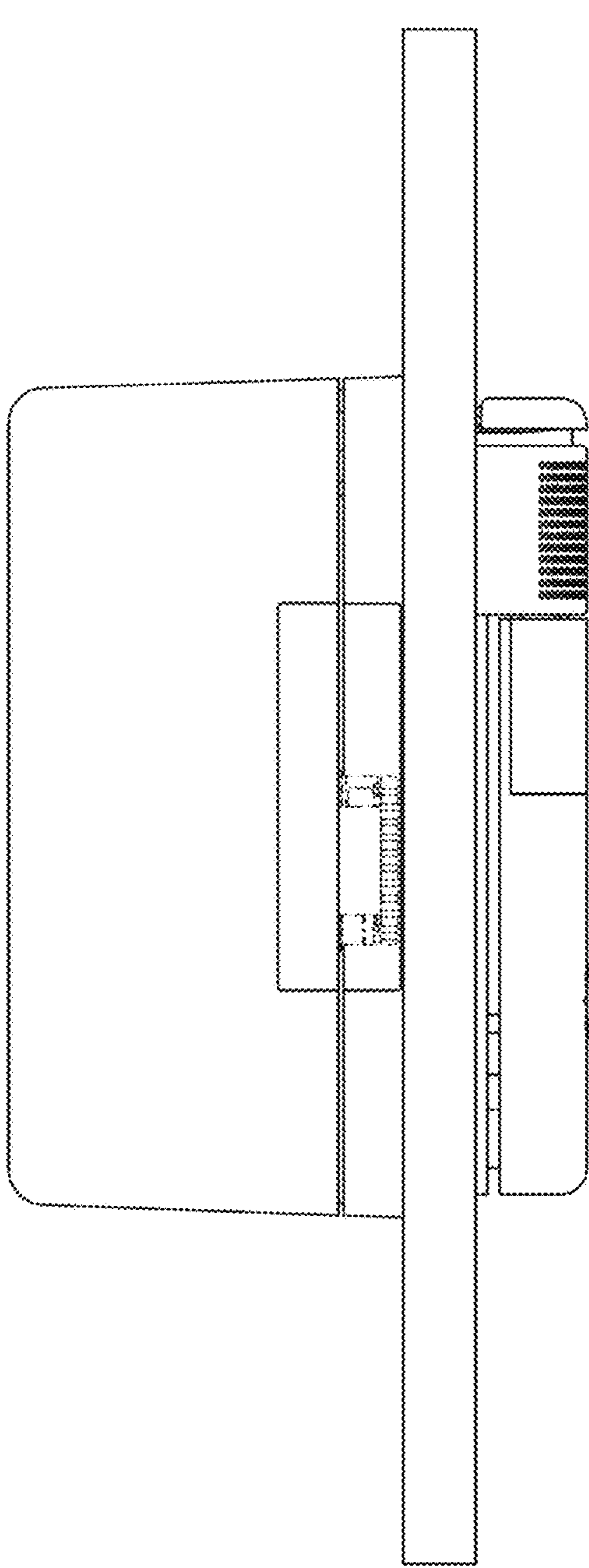


FIG. 6

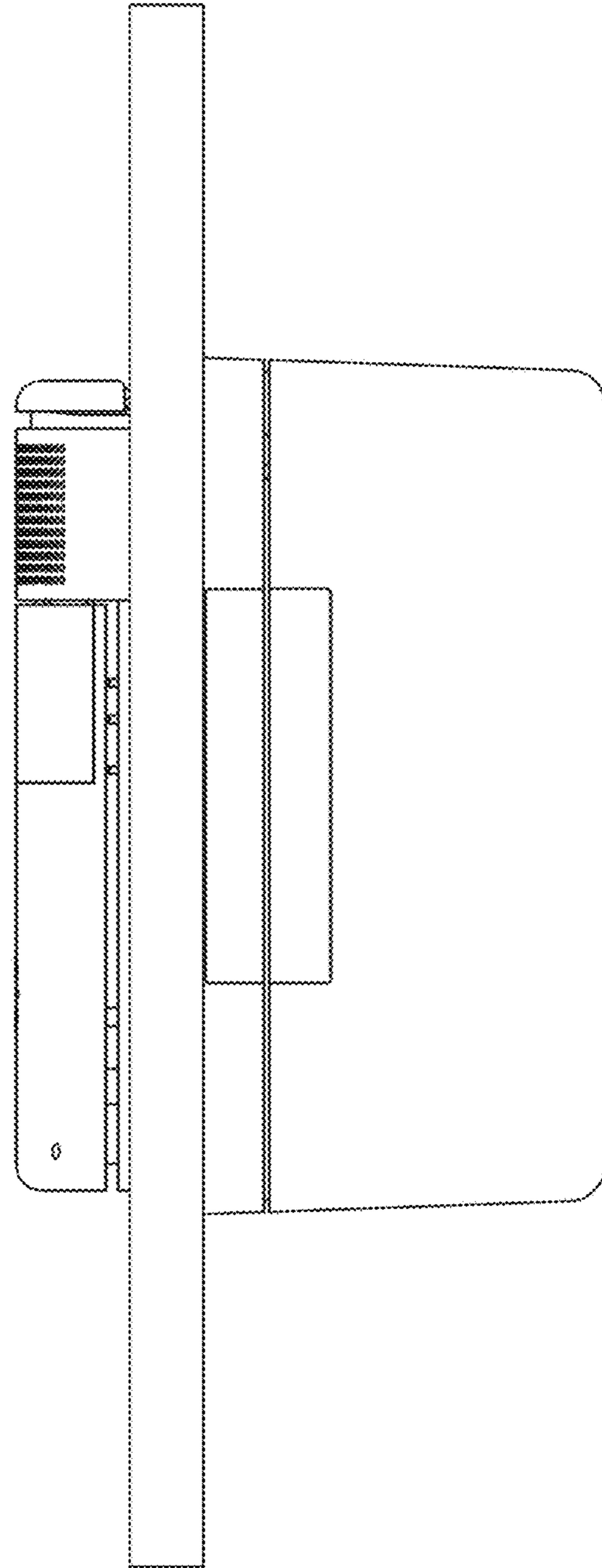


FIG. 7

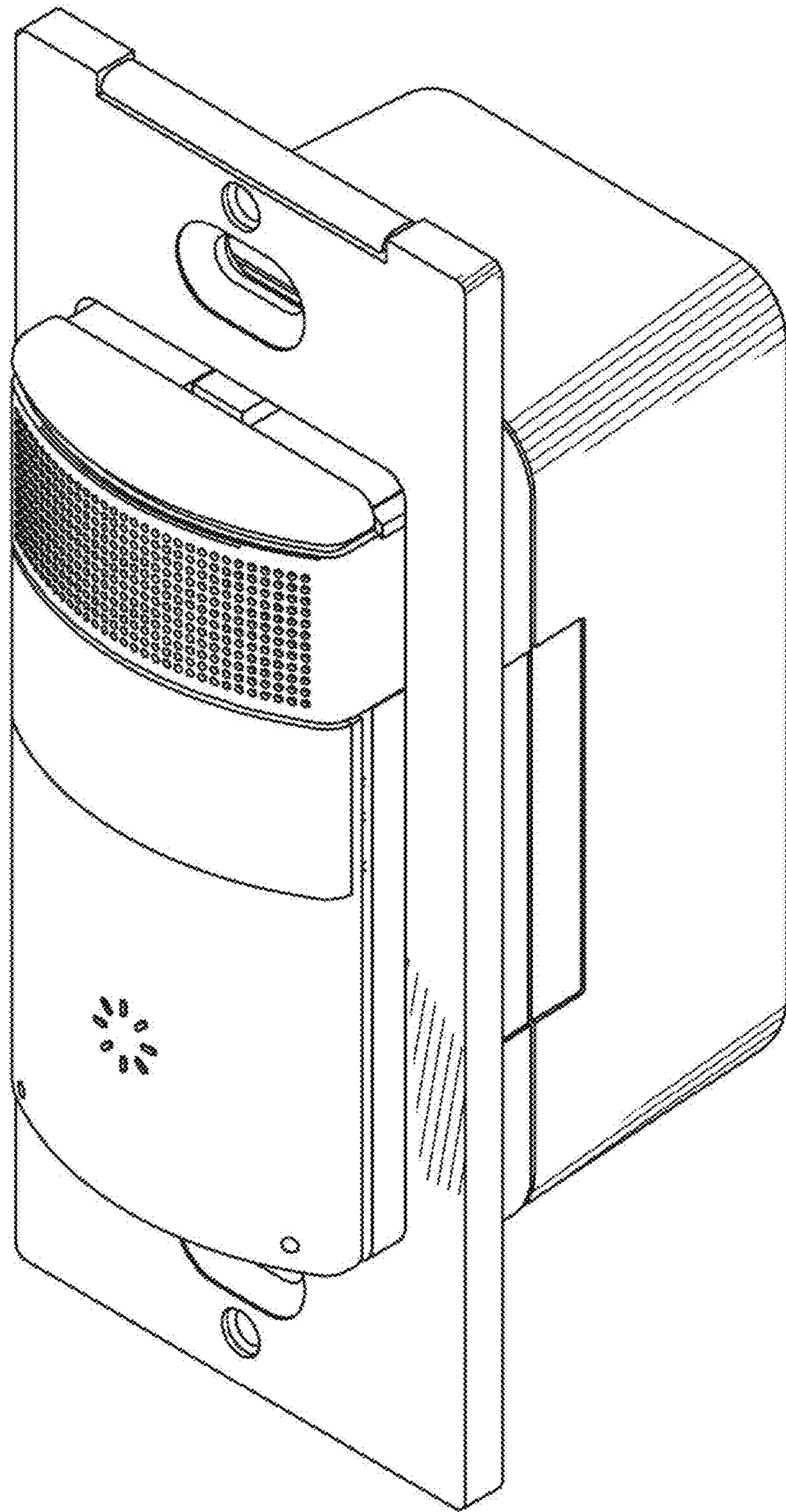


FIG. 8