



US00D853969S

(12) **United States Design Patent**
Huang

(10) **Patent No.:** **US D853,969 S**

(45) **Date of Patent:** **** *Jul. 16, 2019**

(54) **PORTION OF A SIGNAL CONNECTOR**

(71) Applicant: **Happy Island Tech Co., Ltd**, Taipei (TW)

(72) Inventor: **Chun-Ying Huang**, Taipei (TW)

(73) Assignee: **Happy Island Tech Co., Ltd**, Taipei (TW)

(*) Notice: This patent is subject to a terminal disclaimer.

(**) Term: **15 Years**

(21) Appl. No.: **29/566,835**

(22) Filed: **Jun. 3, 2016**

(51) **LOC (11) Cl.** **13-03**

(52) **U.S. Cl.**
USPC **D13/147**

(58) **Field of Classification Search**
USPC D13/133, 146, 147, 154, 184, 199
CPC H01R 9/09; H01R 9/091; H01R 9/098;
H01R 9/22; H01R 9/24; H01R 9/2408;
H01R 9/2691; H01R 9/28; H01R 4/029;
H01R 4/28; H01R 4/4836; H01R 4/4818;
H01R 4/4845; H01R 9/2475; H01R
12/53; H01R 12/58; H01R 13/502
See application file for complete search history.

(56) **References Cited**

U.S. PATENT DOCUMENTS

D415,467 S * 10/1999 Starkey D13/133
D478,321 S * 8/2003 Peng D13/154

D699,186 S * 2/2014 Suzuki D13/146
D699,187 S * 2/2014 Suzuki D13/146
D740,291 S * 10/2015 Turksu D14/433
D772,879 S * 11/2016 Eliyahu D14/433
D777,676 S * 1/2017 Haley D13/146

* cited by examiner

Primary Examiner — Daniel Bui

(57) **CLAIM**

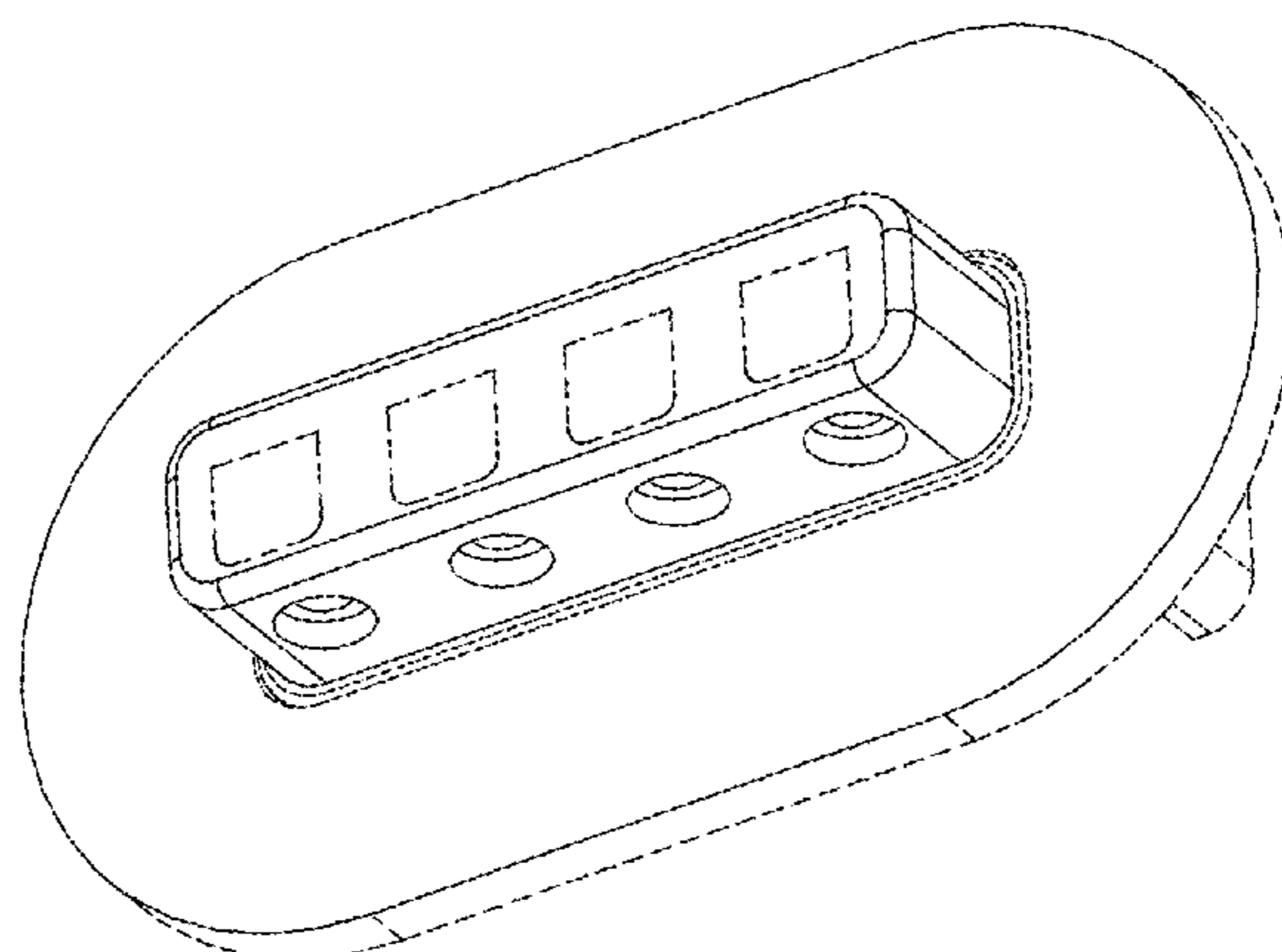
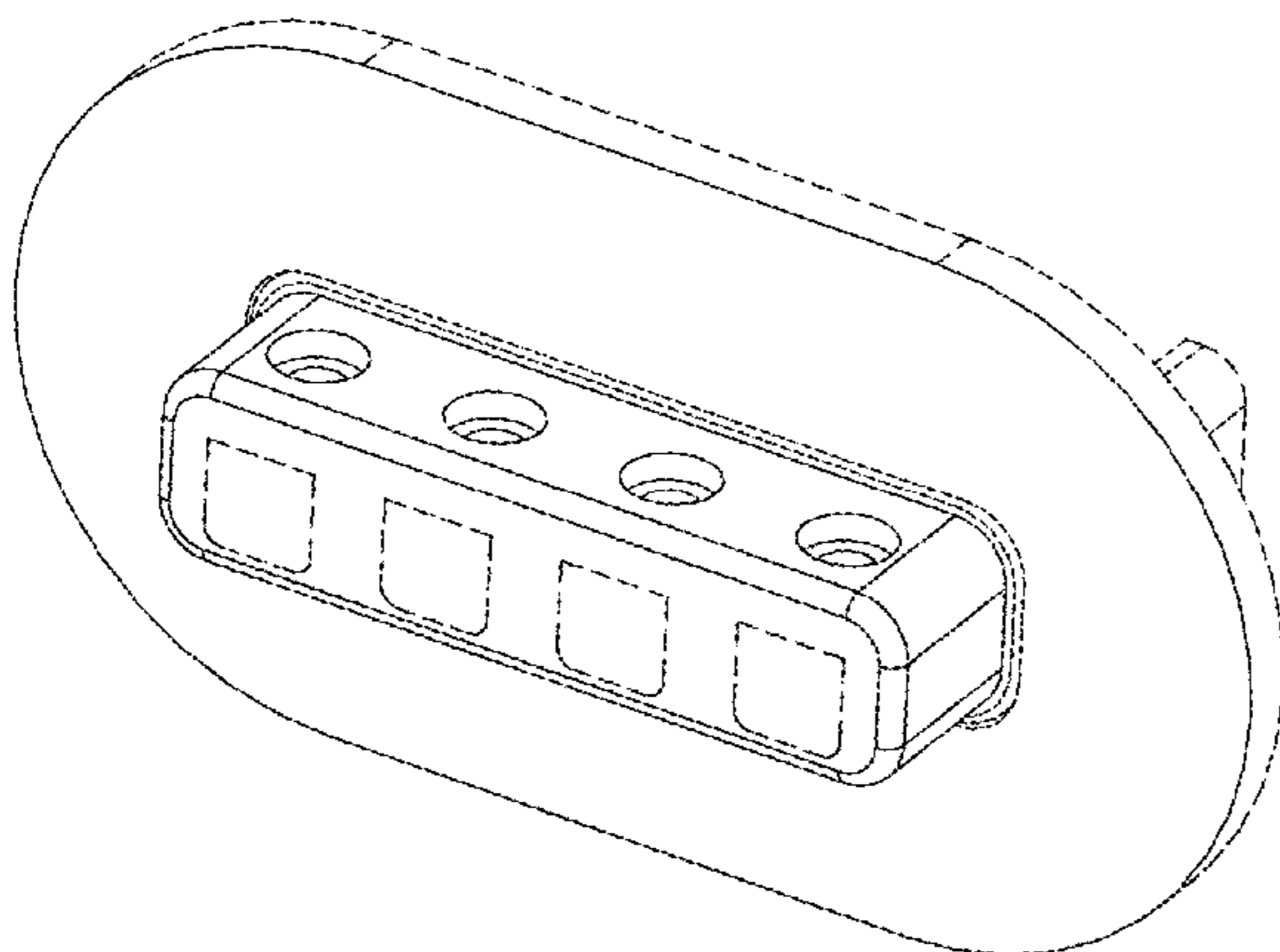
I claim the ornamental design for a portion of a signal connector, as shown and described.

DESCRIPTION

FIG. 1 is a front, top and right side perspective view of a portion of a signal connector showing my new design.
FIG. 2 is a front elevational view thereof.
FIG. 3 is a rear elevational view thereof.
FIG. 4 is a left side elevational view thereof.
FIG. 5 is a right side elevational view thereof.
FIG. 6 is a top plan view thereof.
FIG. 7 is a bottom plan view thereof; and,
FIG. 8 is a front, bottom and right side perspective view thereof.

In each of the figures, portions or features that are shown in broken lines are provided as illustrative exemplary structures, and are not to be considered as limitations of the claimed subject matter.

1 Claim, 5 Drawing Sheets



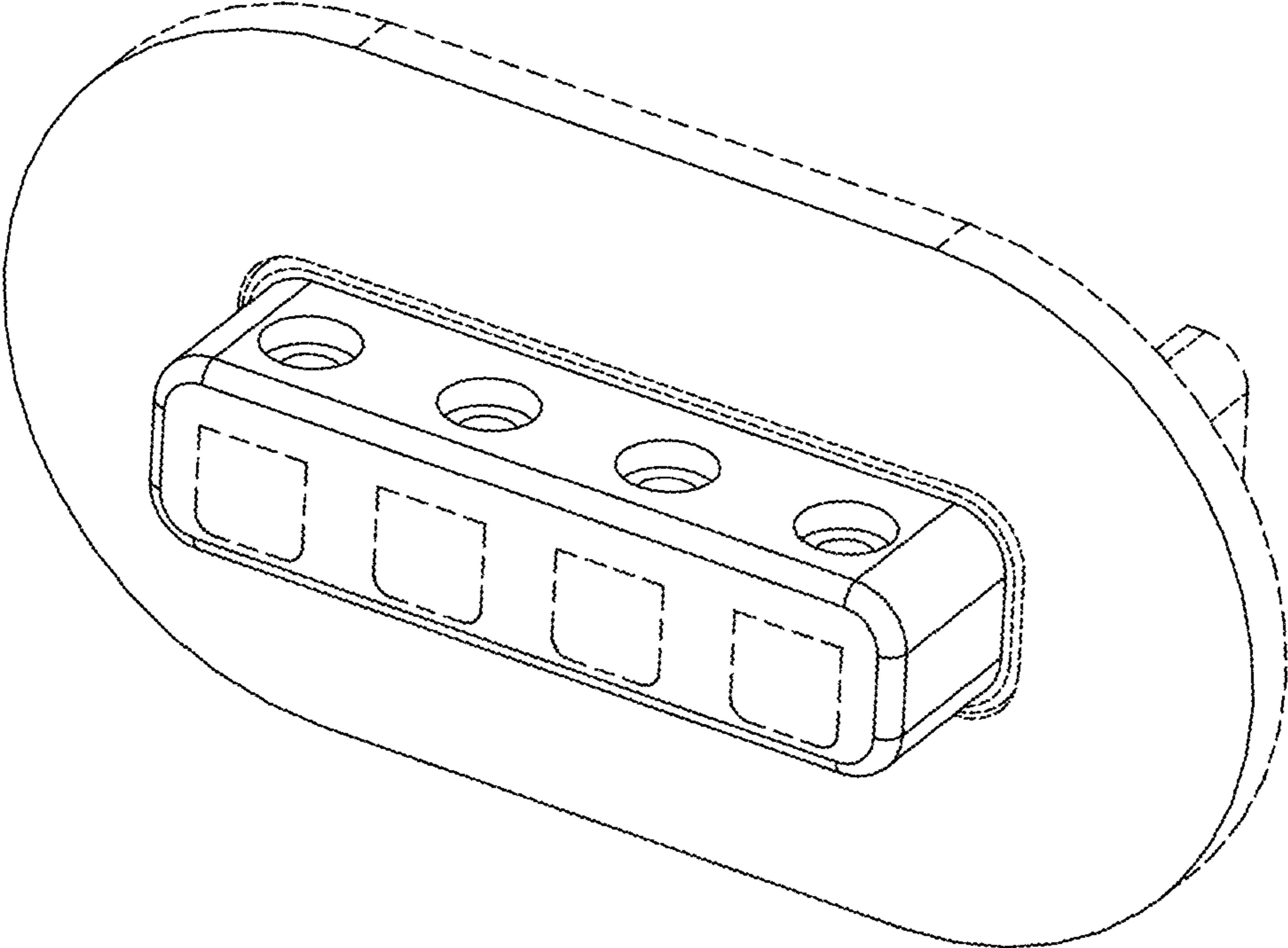


FIG. 1

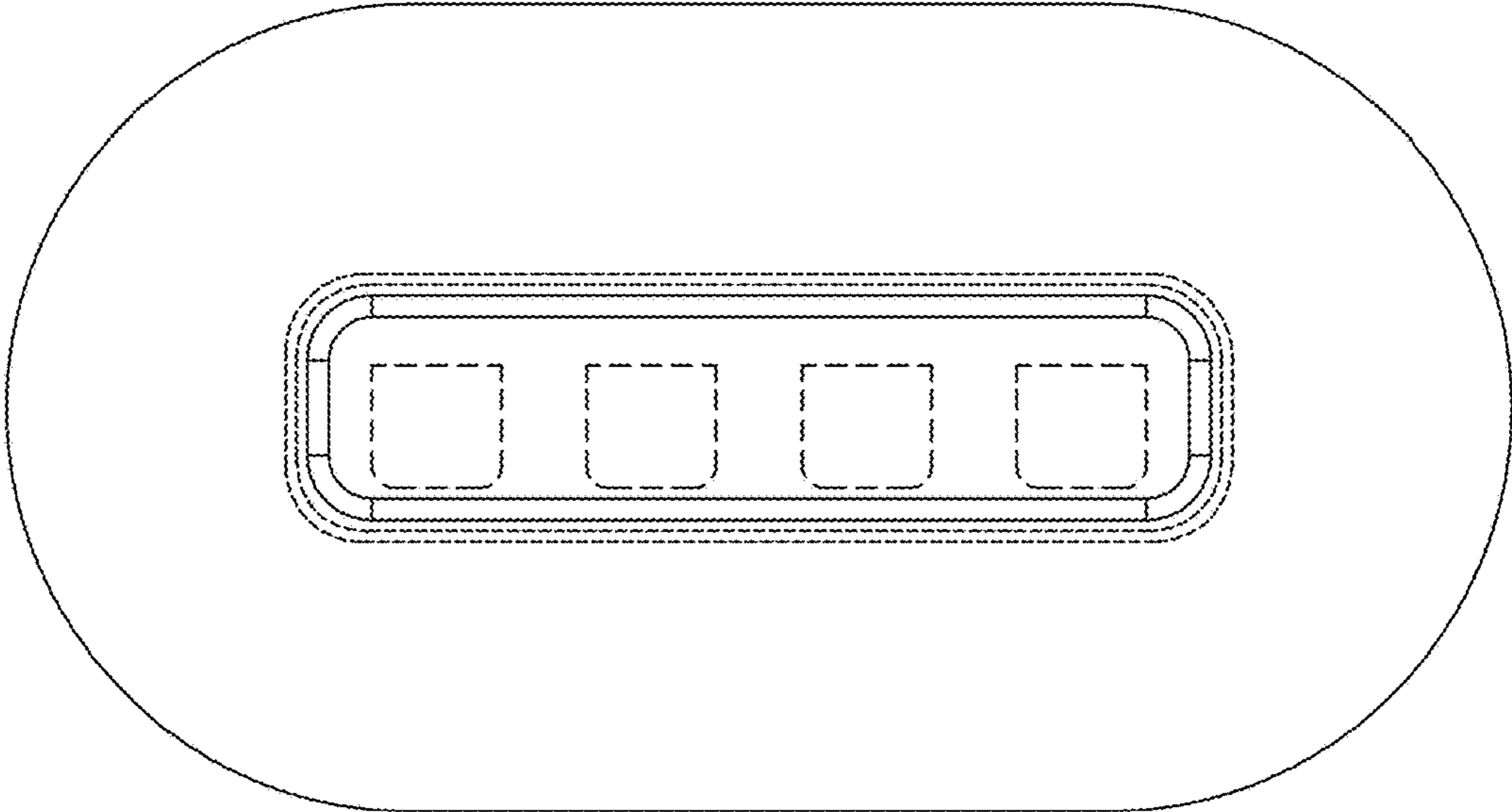


FIG. 2

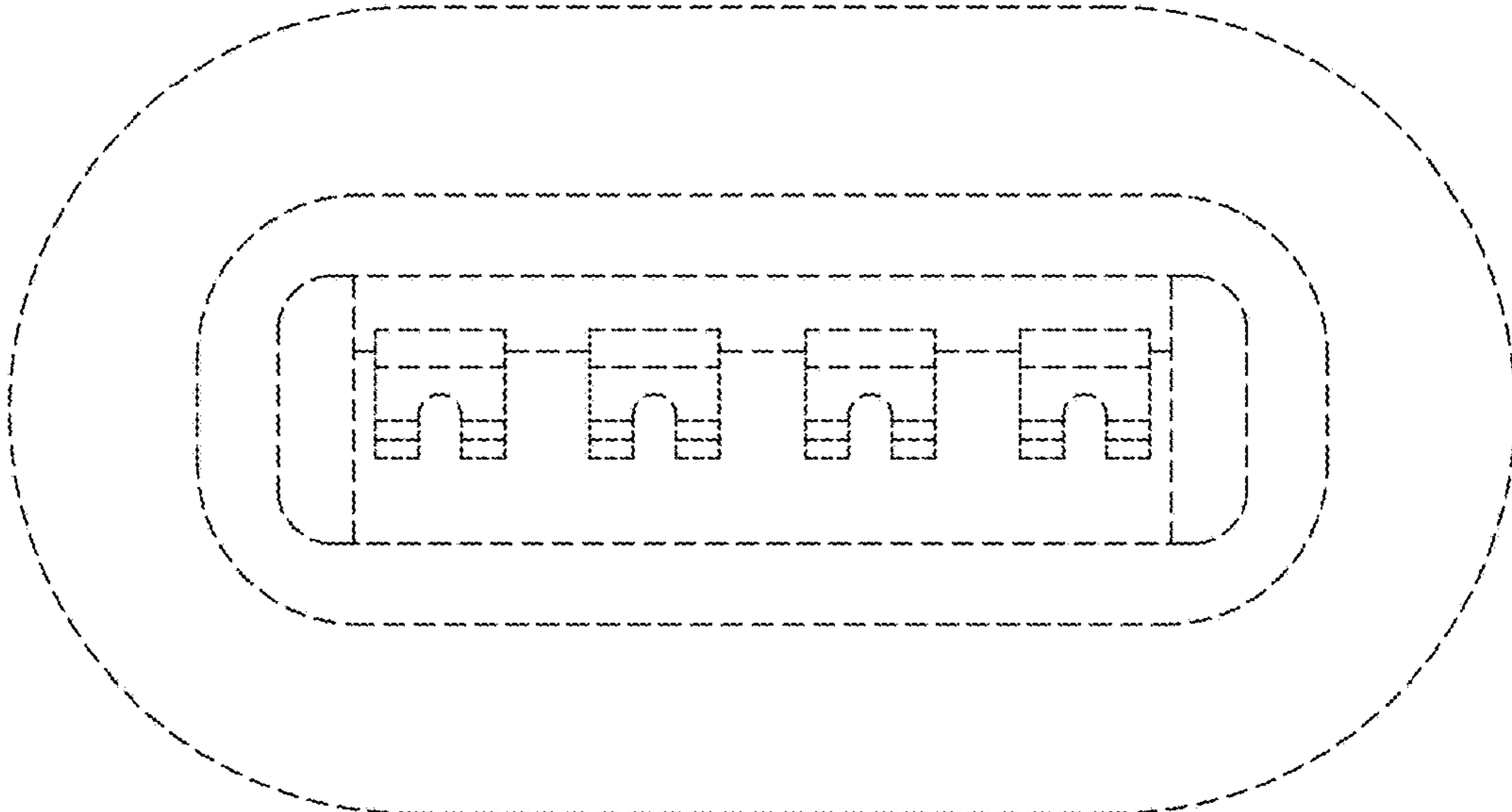


FIG. 3

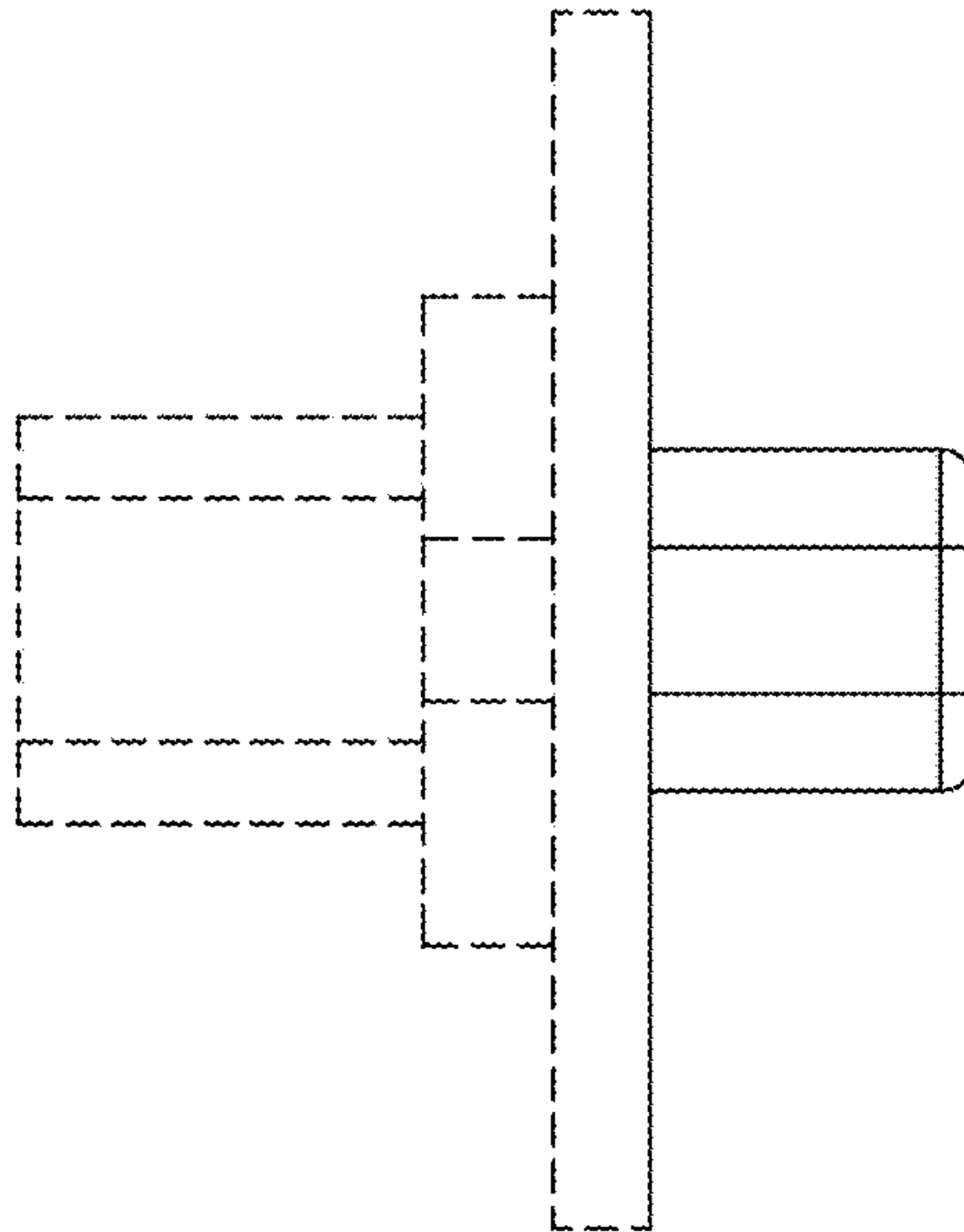


FIG. 4

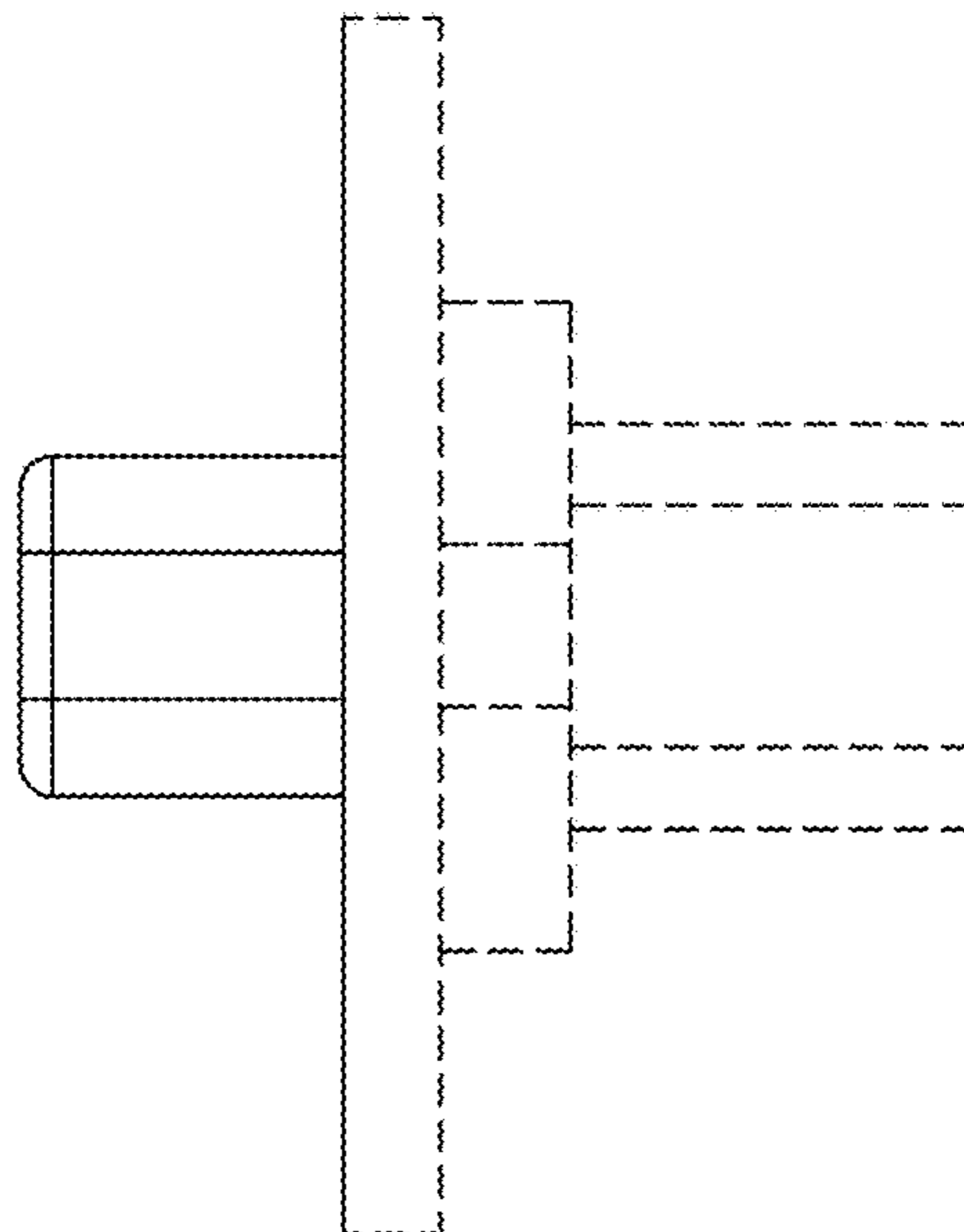


FIG. 5

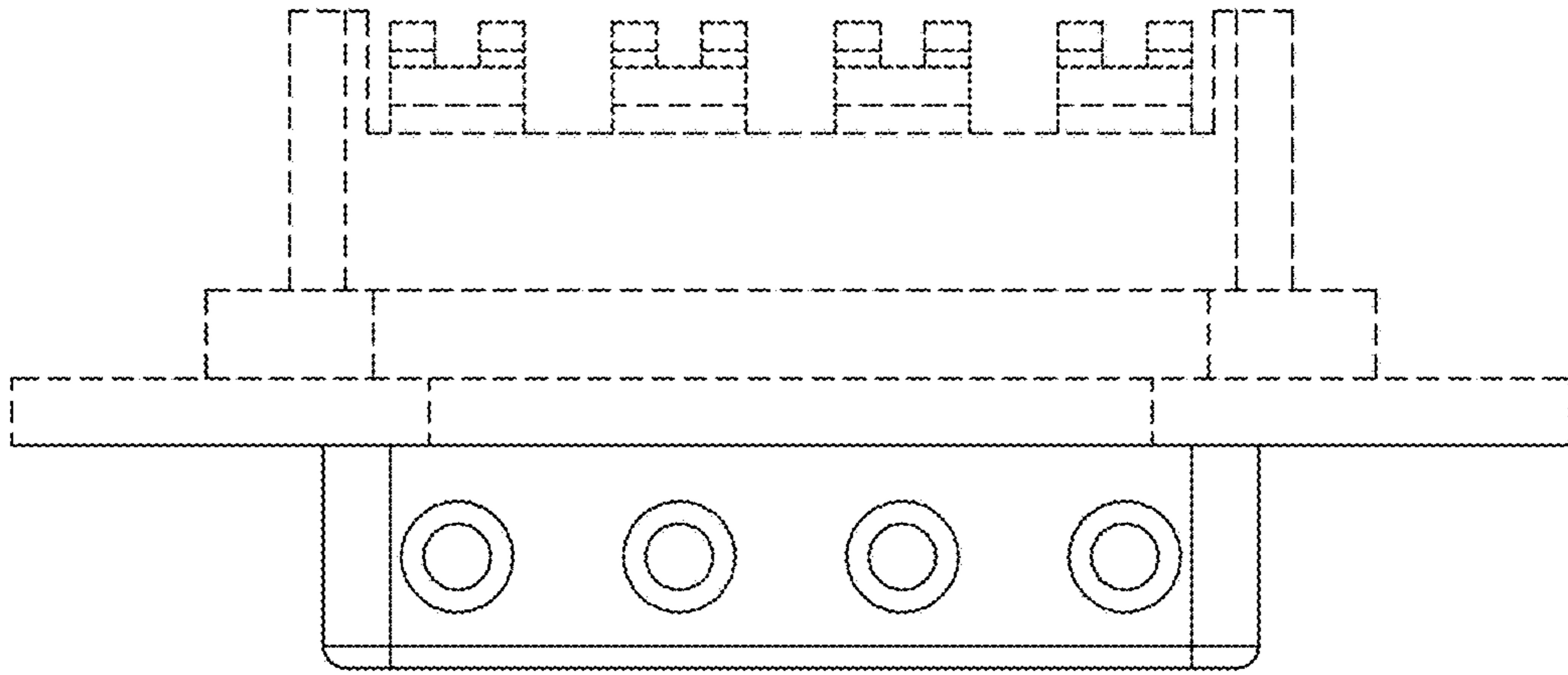


FIG. 6

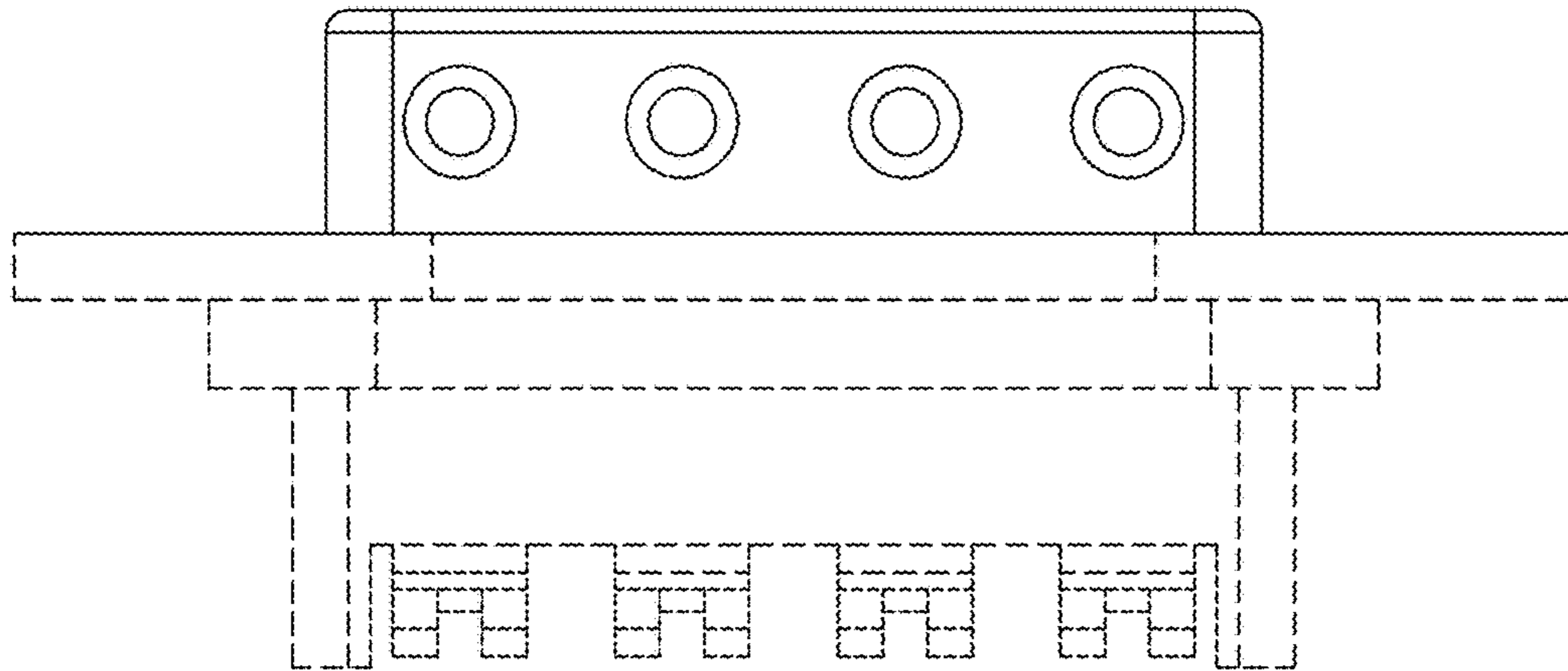


FIG. 7

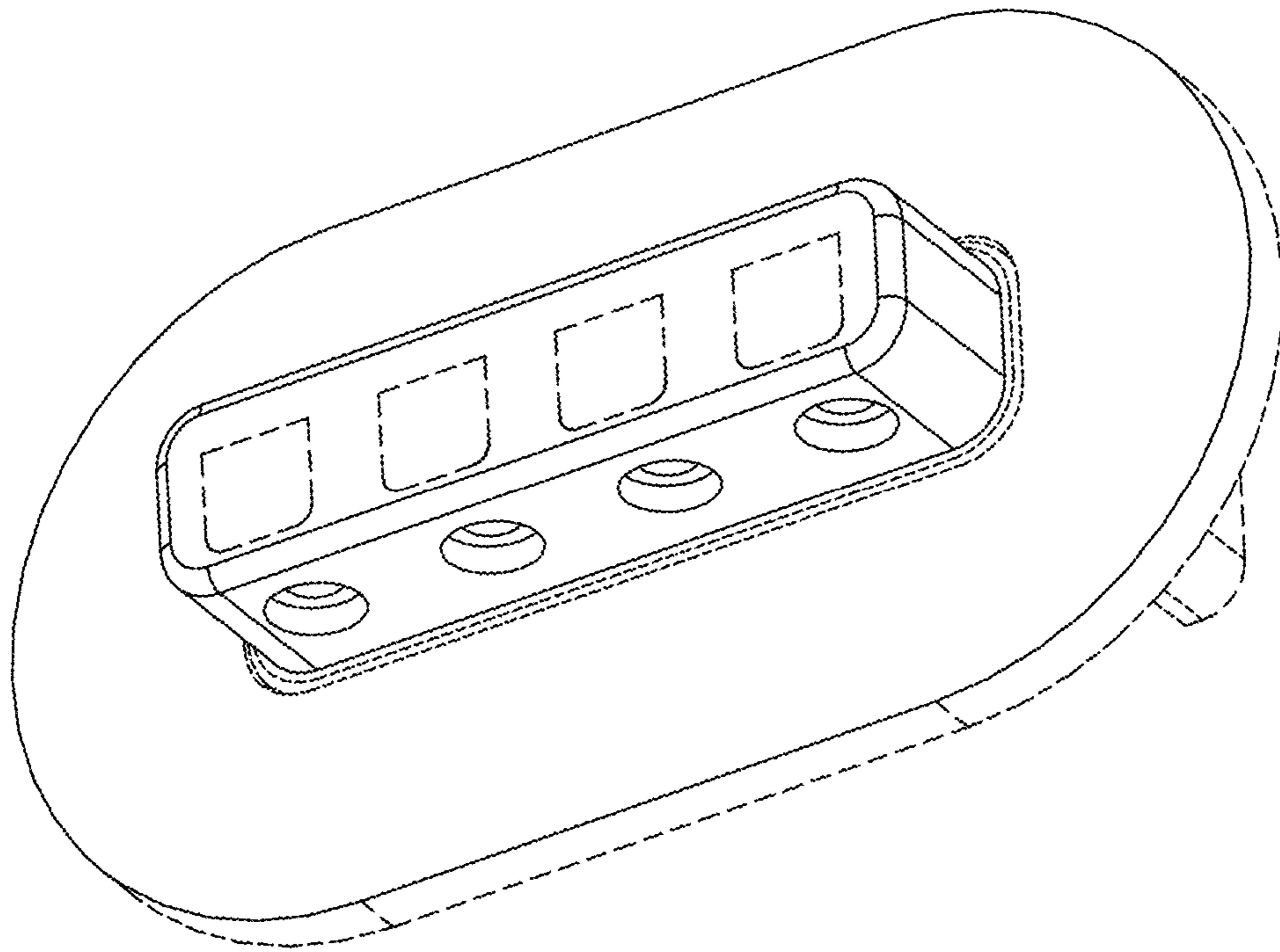


FIG. 8