



US00D853968S

(12) **United States Design Patent** (10) **Patent No.:** **US D853,968 S**
Lehman et al. (45) **Date of Patent:** **** Jul. 16, 2019**

(54) **ELECTRICAL SWITCH RATED CONNECTOR**

(71) Applicant: **Cooper Technologies Company**,
Houston, TX (US)

(72) Inventors: **Gregg Lehman**, Peachtree City, GA
(US); **Eric Cheney**, Syracuse, NY (US)

(73) Assignee: **Eaton Intelligent Power Limited**,
Dublin (IE)

5,044,977 A 9/1991 Vindigni
5,234,350 A 8/1993 Marechal et al.
D361,313 S * 8/1995 Sai D13/146
D367,644 S * 3/1996 Fukao D13/146
5,697,798 A 12/1997 Marechal
D392,618 S * 3/1998 Fukao D13/146
5,743,752 A 4/1998 Masseur
D399,187 S * 10/1998 Kay D13/146

(Continued)

(**) Term: **15 Years**

(21) Appl. No.: **29/617,544**

(22) Filed: **Sep. 14, 2017**

Related U.S. Application Data

(63) Continuation of application No. 15/700,848, filed on Sep. 11, 2017, now abandoned.

(51) **LOC (11) Cl.** **13-03**

(52) **U.S. Cl.**
USPC **D13/133; D13/146**

(58) **Field of Classification Search**
USPC D13/118, 123, 133, 146, 147, 154, 156,
D13/158, 173, 184, 199
CPC .. F16L 55/10; H01H 9/02; H01H 9/04; H01R
13/44; H01R 13/52; H01R 13/68; H01R
27/00; H01R 29/00; H01R 12/00; H01R
13/4532; H01R 13/46; H01R 13/627;
H01R 13/629; H02G 3/10; H02G 3/14;
H02G 3/18
See application file for complete search history.

(56) **References Cited**

U.S. PATENT DOCUMENTS

3,737,839 A 6/1973 Marechal
3,853,376 A 12/1974 Marechal
3,982,804 A 9/1976 Marechal
4,140,358 A 2/1979 Marechal

FOREIGN PATENT DOCUMENTS

WO 2017046496 A1 3/2017

Primary Examiner — Angela J Lee

Assistant Examiner — Shawn T Gingrich

(74) *Attorney, Agent, or Firm* — Stinson Leonard Street
LLP

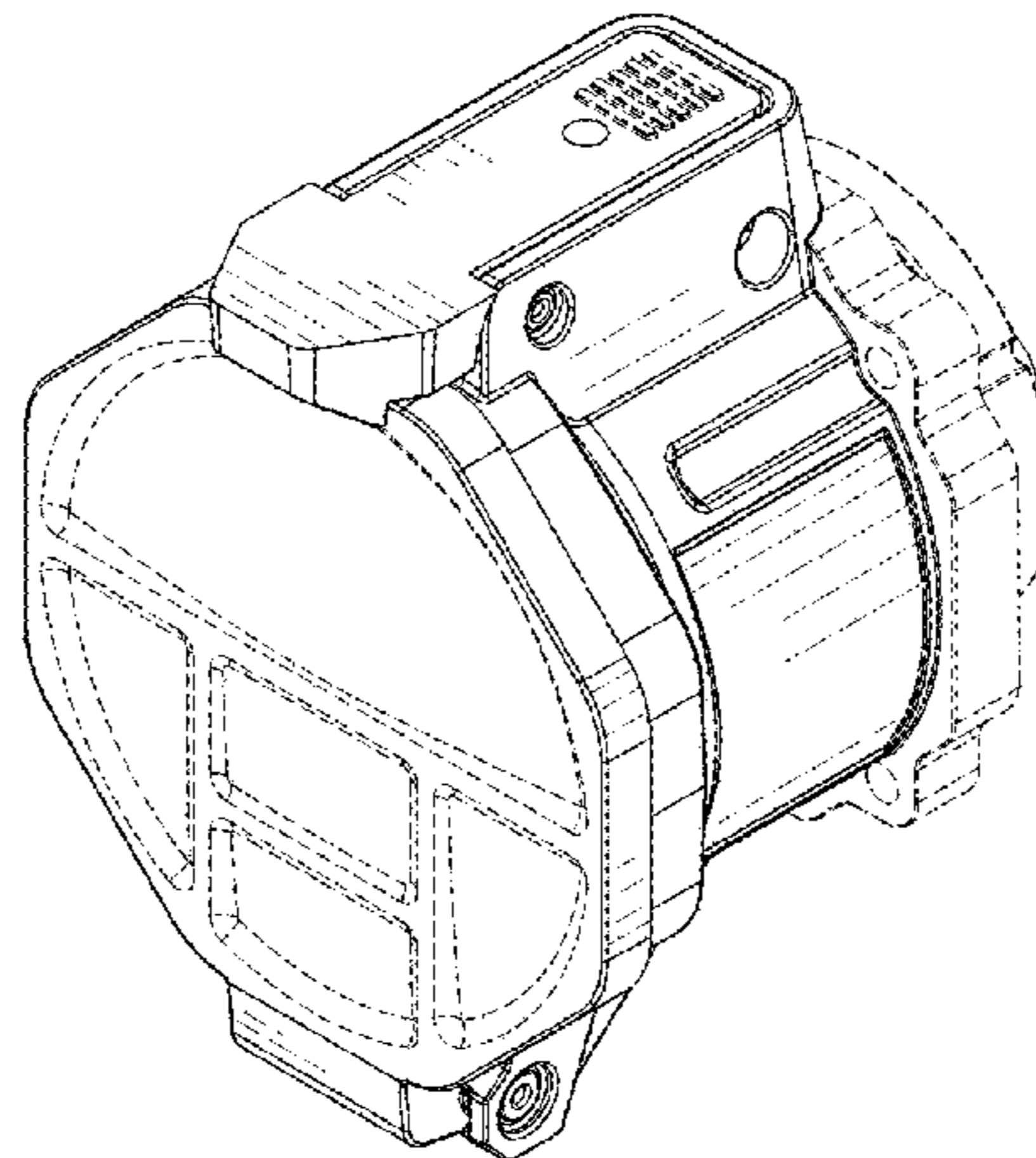
(57) **CLAIM**

The ornamental design for an electrical switch rated connector, as shown and described.

DESCRIPTION

FIG. 1 is a perspective of an electrical switch rated connector;
FIG. 2 is a front elevational view of the electrical switch rated connector;
FIG. 3 is a right elevational view of the electrical switch rated connector;
FIG. 4 is a top plan view of the electrical switch rated connector;
FIG. 5 is a rear elevational view of the electrical switch rated connector;
FIG. 6 is a left elevational view of the electrical switch rated connector; and,
FIG. 7 is a bottom plan view of the electrical switch rated connector.
The broken lines in the drawings illustrate portions of the electrical switch rated connector that form no part of the claimed design.

1 Claim, 7 Drawing Sheets



(56)

References Cited

U.S. PATENT DOCUMENTS

5,980,278	A	11/1999	Winkler	
D449,581	S *	10/2001	Bosatelli	D13/146
6,302,726	B1	10/2001	Marechal	
6,382,990	B1	5/2002	Marechal et al.	
6,479,773	B2	11/2002	Bienvenu	
6,685,513	B2	2/2004	Bienvenu	
7,491,080	B2	2/2009	Houir Alami et al.	
D595,238	S *	6/2009	Vigorito	D13/156
D597,487	S *	8/2009	Barnes, Jr.	D13/139.1
D618,176	S *	6/2010	Kato	D13/146
7,967,630	B2	6/2011	Houir Alami	
8,092,250	B2	1/2012	Alami	
8,221,150	B2	7/2012	Houir Alami	
D698,729	S *	2/2014	Fukushima	D13/146
D699,681	S *	2/2014	Slack	D13/146
D700,142	S *	2/2014	Fukushima	D13/146
D709,461	S *	7/2014	Dahl	D13/156
9,512,921	B2	12/2016	Zagroun et al.	
2015/0155691	A1 *	6/2015	Dahl	H02G 3/088 174/67
2015/0162691	A1	6/2015	Choiselat et al.	

* cited by examiner

FIG. 1

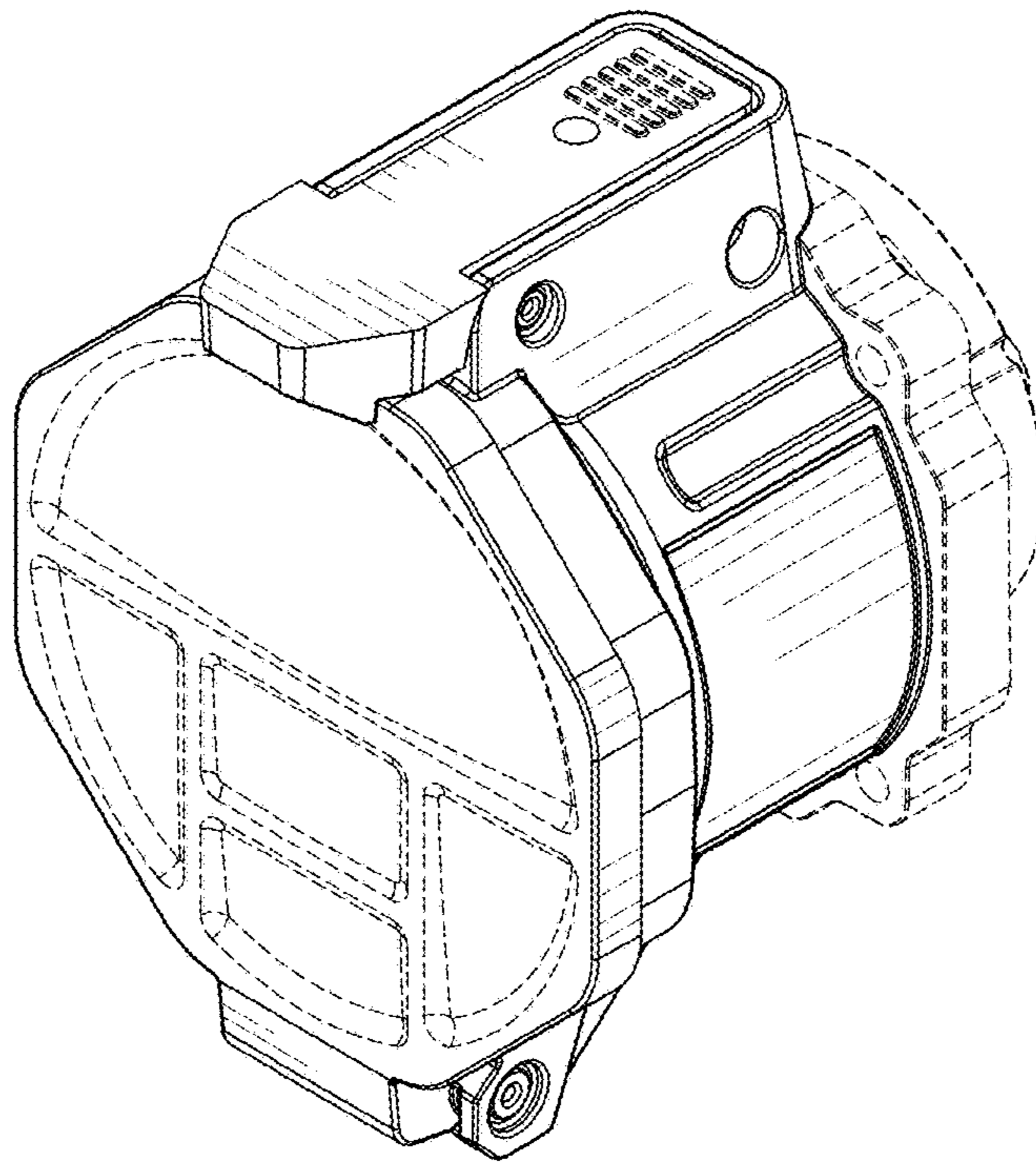


FIG. 2

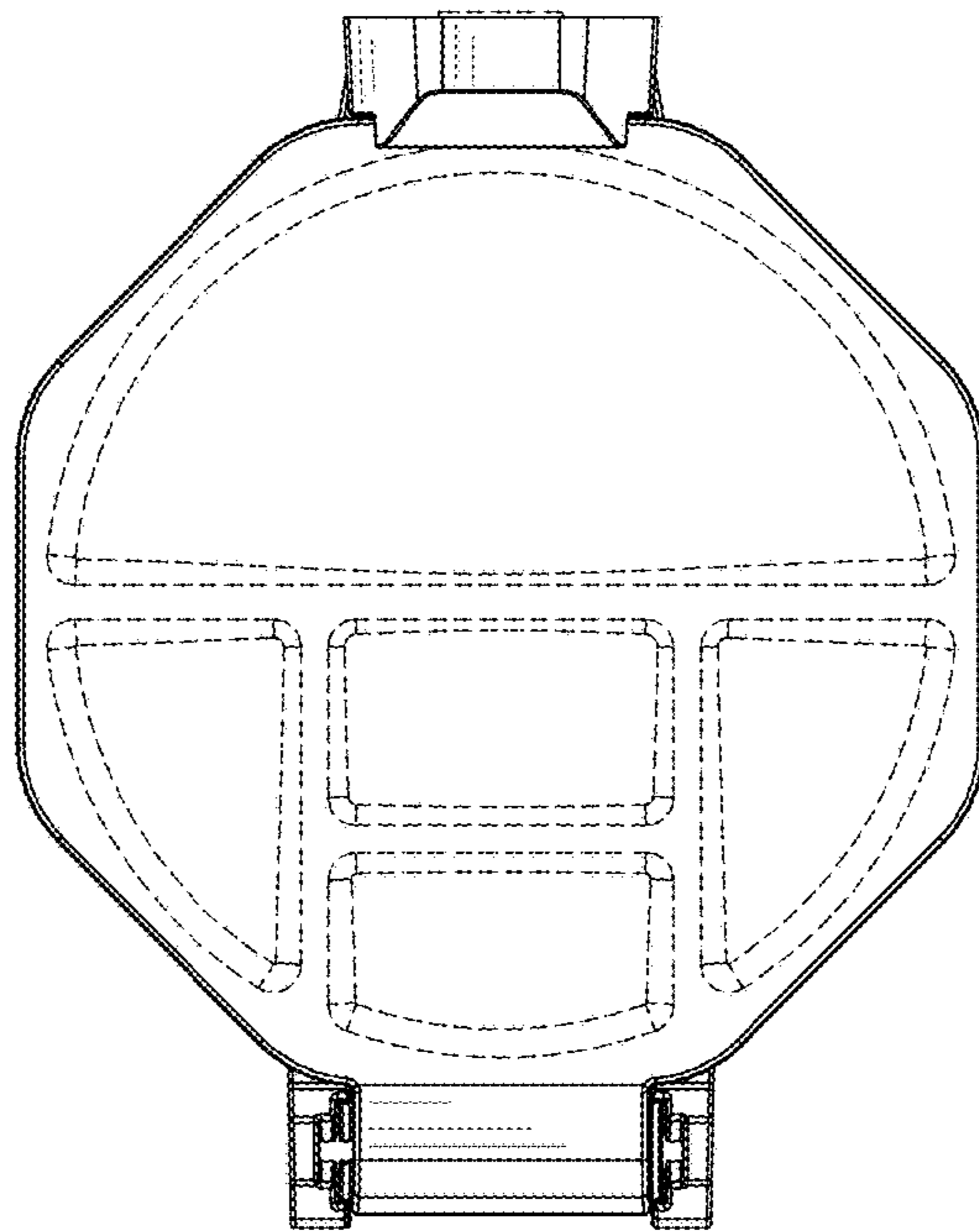


FIG. 3

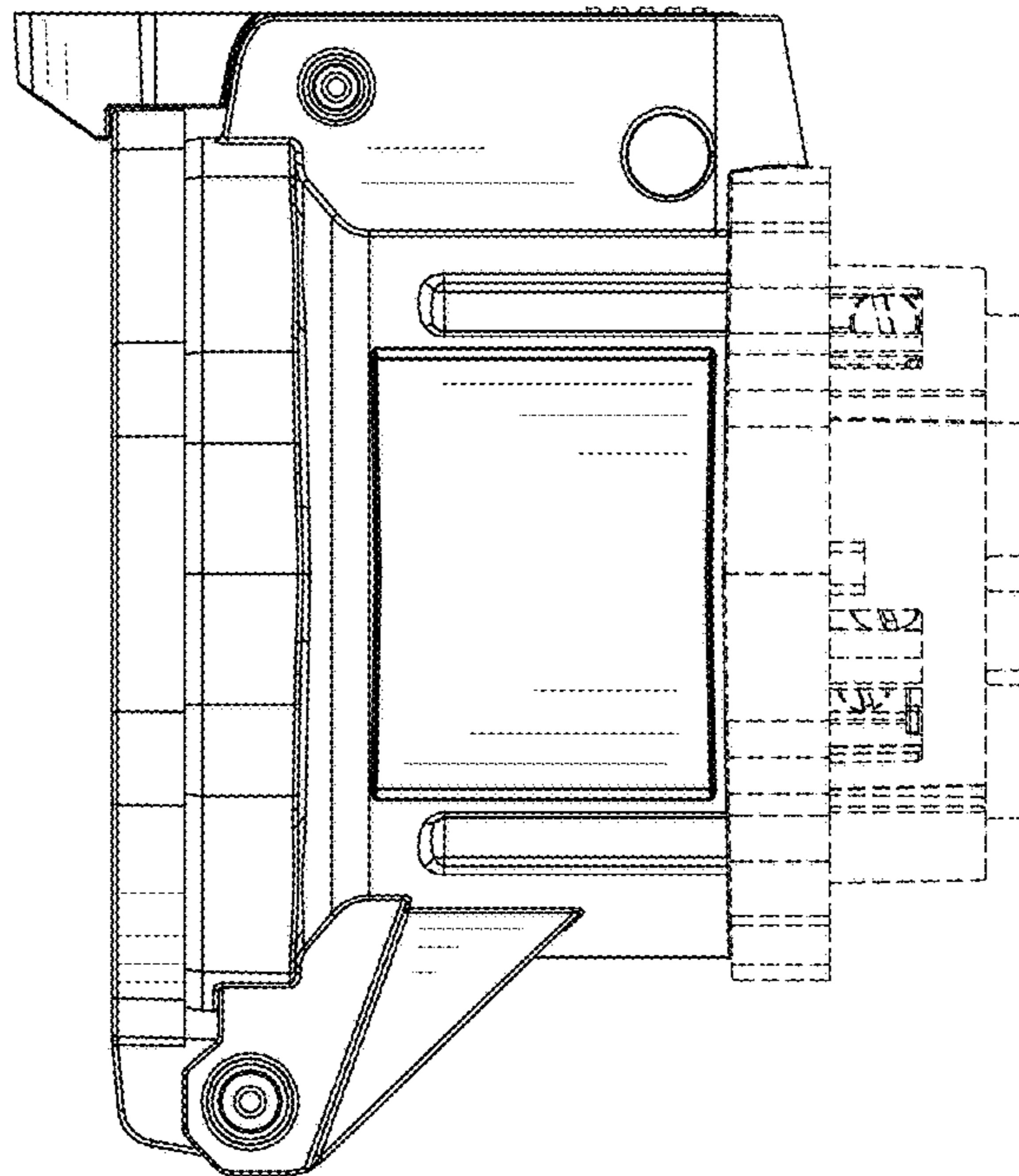


FIG. 4

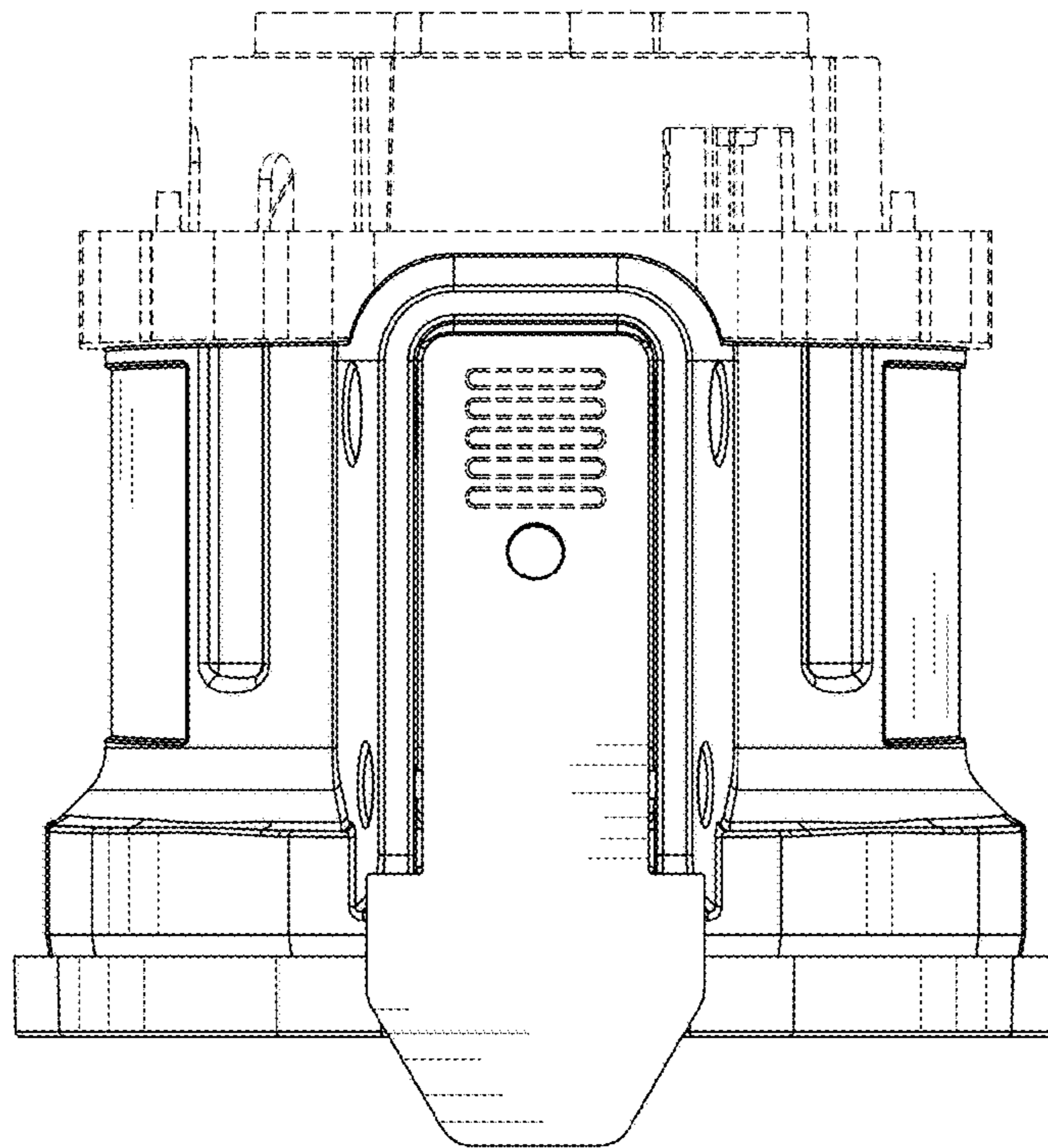


FIG. 5

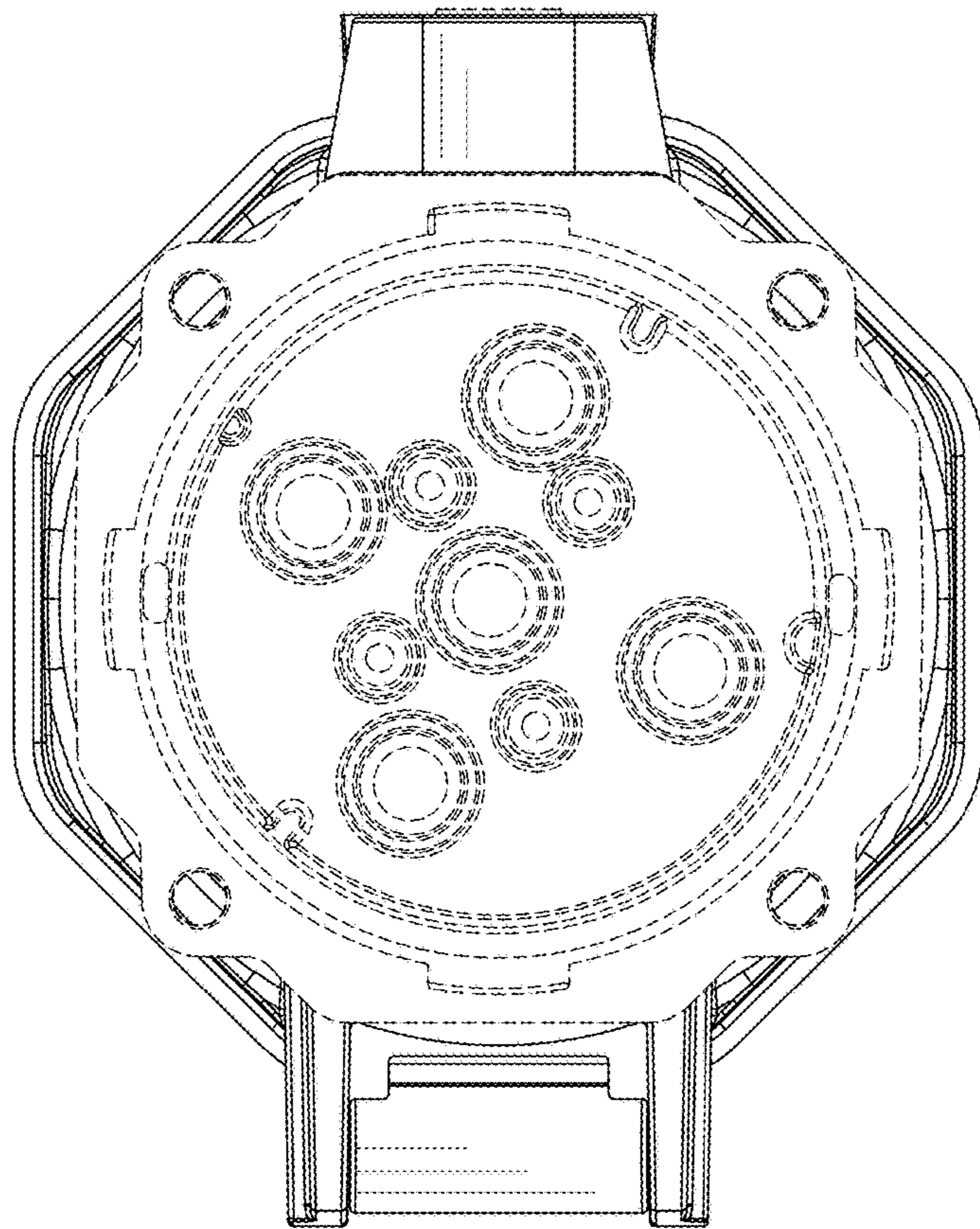


FIG. 6

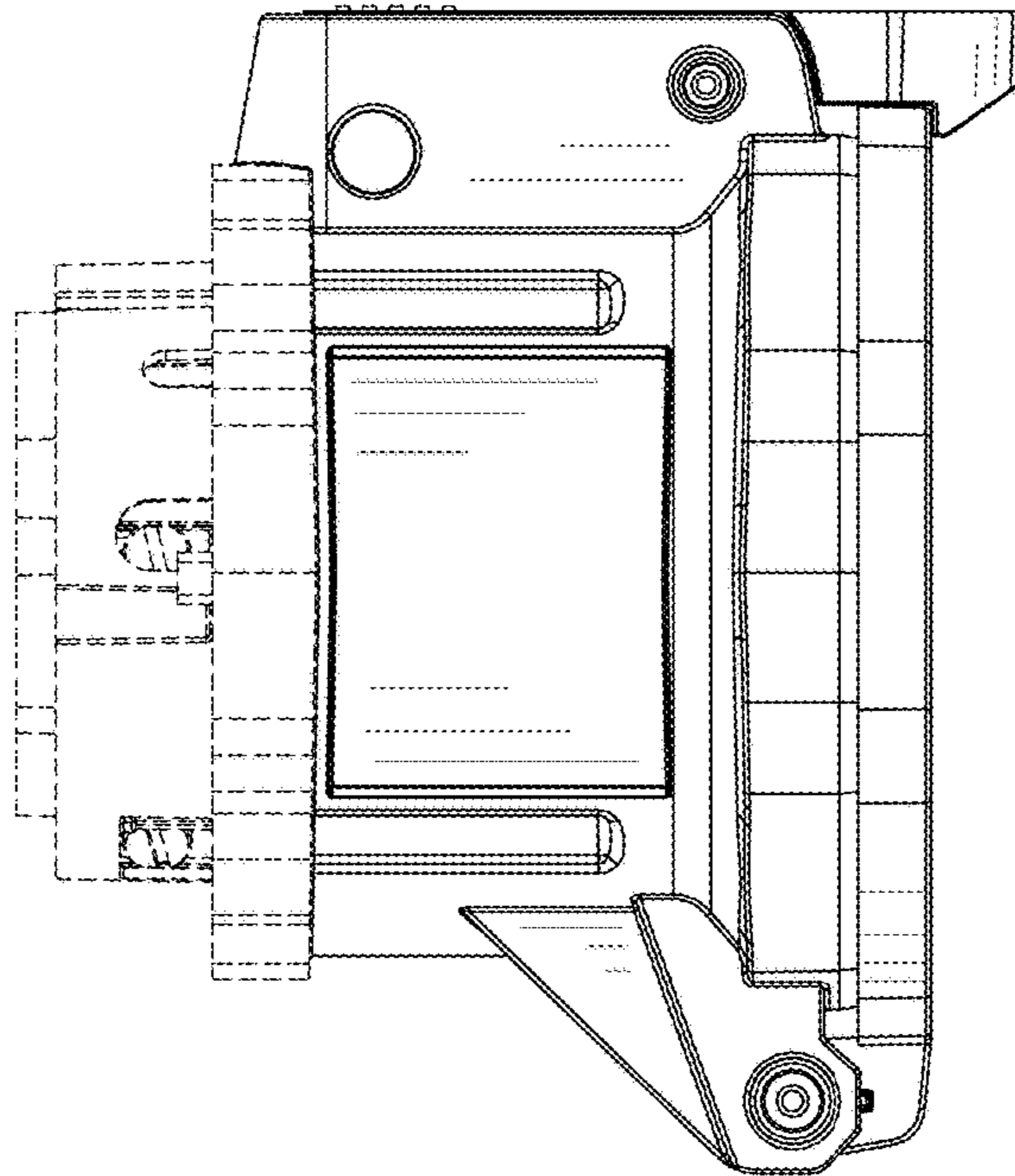


FIG. 7

