



US00D853967S

(12) **United States Design Patent** (10) **Patent No.:** **US D853,967 S**  
**Shepard et al.** (45) **Date of Patent:** **\*\* Jul. 16, 2019**

(54) **PNEUMATIC CONNECTOR**  
(71) Applicant: **Virginia Panel Corporation,**  
Wayneboro, VA (US)  
(72) Inventors: **Adam Peter Shepard,** McGaheysville,  
VA (US); **David Lawrence Rocker,**  
Earlysville, VA (US)

(73) Assignee: **Virginia Panel Corporation,**  
Wayneboro, VA (US)

(\*\*) Term: **15 Years**

(21) Appl. No.: **29/595,853**

(22) Filed: **Mar. 2, 2017**

(51) **LOC (11) Cl.** ..... **13-03**

(52) **U.S. Cl.**  
USPC ..... **D13/133**

(58) **Field of Classification Search**  
USPC ..... D13/118, 123, 133, 148–151, 153–156,  
D13/173, 184, 199; D8/339; D23/259,  
D23/262; D24/107, 127, 129; D15/152;  
D10/60

CPC ..... F16L 11/118; F16L 21/00; F16L 21/02;  
F16L 21/08; F16L 33/207; F16L 33/092;  
F16L 37/00; F16L 37/088; F16L 37/14;  
F16L 37/144; F16L 39/00; F16L 37/24;  
F16L 41/00; F16B 41/00; F16B 41/002;  
H01R 4/00; H01R 4/24; H01R 4/38;  
H01R 9/05; H01R 9/0524; H01R 11/03;  
H01R 12/00; H01R 13/00; H01R 13/40;  
H01R 13/44; H01R 13/52; H01R 13/62;  
H01R 13/622; H01R 13/639; H01R  
24/525; H01R 43/16; G06F 1/1613; G06F  
1/1626; G06F 1/1628; G06F 1/1656

See application file for complete search history.

(56) **References Cited**

**U.S. PATENT DOCUMENTS**

3,544,954 A \* 12/1970 Yeager ..... H01R 13/434  
439/871  
D239,175 S \* 3/1976 Mouttet ..... D13/133

D261,504 S \* 10/1981 Hollingsworth ..... D13/133  
D312,813 S \* 12/1990 Takizawa ..... D13/133  
D317,293 S \* 6/1991 Brisson ..... D13/133  
D593,038 S \* 5/2009 Singer ..... D13/154  
D599,739 S \* 9/2009 Holliday ..... D13/133  
D605,595 S \* 12/2009 Thomas ..... D13/133  
D639,242 S \* 6/2011 Ohmori ..... D13/133  
D708,138 S \* 7/2014 Sticker ..... D13/133

(Continued)

*Primary Examiner* — Angela J Lee

*Assistant Examiner* — Shawn T Gingrich

(74) *Attorney, Agent, or Firm* — 24IP Law Group USA,  
PLLC; Timothy Dewitt

(57) **CLAIM**

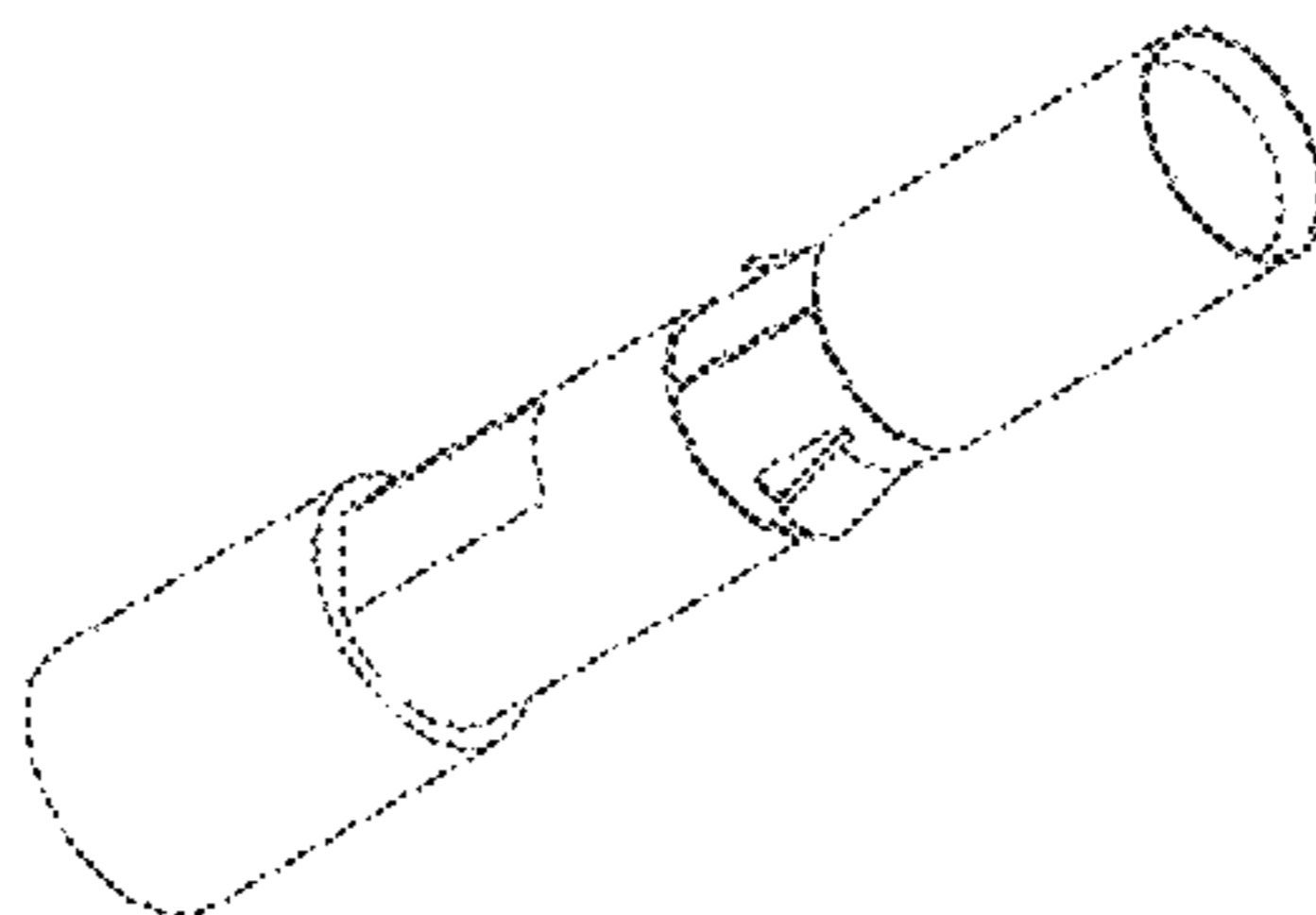
The ornamental design for a pneumatic connector, as shown  
and described.

**DESCRIPTION**

FIG. 1 is a perspective view of a pneumatic connector  
showing our new design;  
FIG. 2 is a right side view of the pneumatic connector shown  
in FIG. 1;  
FIG. 3 is a left side view of the pneumatic connector shown  
in FIG. 1;  
FIG. 4 is a front view of the pneumatic connector shown in  
FIG. 1;  
FIG. 5 is a back view of the pneumatic connector shown in  
FIG. 1;  
FIG. 6 is a top view of the pneumatic connector shown in  
FIG. 1; and,  
FIG. 7 is a bottom view of the pneumatic connector shown  
in FIG. 1.

The broken lines in the drawings illustrate portions of the  
pneumatic connector that form no part of the claimed design.

**1 Claim, 4 Drawing Sheets**



(56)

**References Cited**

U.S. PATENT DOCUMENTS

2008/0108241 A1\* 5/2008 Kocher ..... H01R 4/26  
439/345  
2010/0273363 A1\* 10/2010 Orris ..... H01R 13/432  
439/745  
2011/0021041 A1\* 1/2011 Galloway ..... H01R 13/627  
439/63

\* cited by examiner

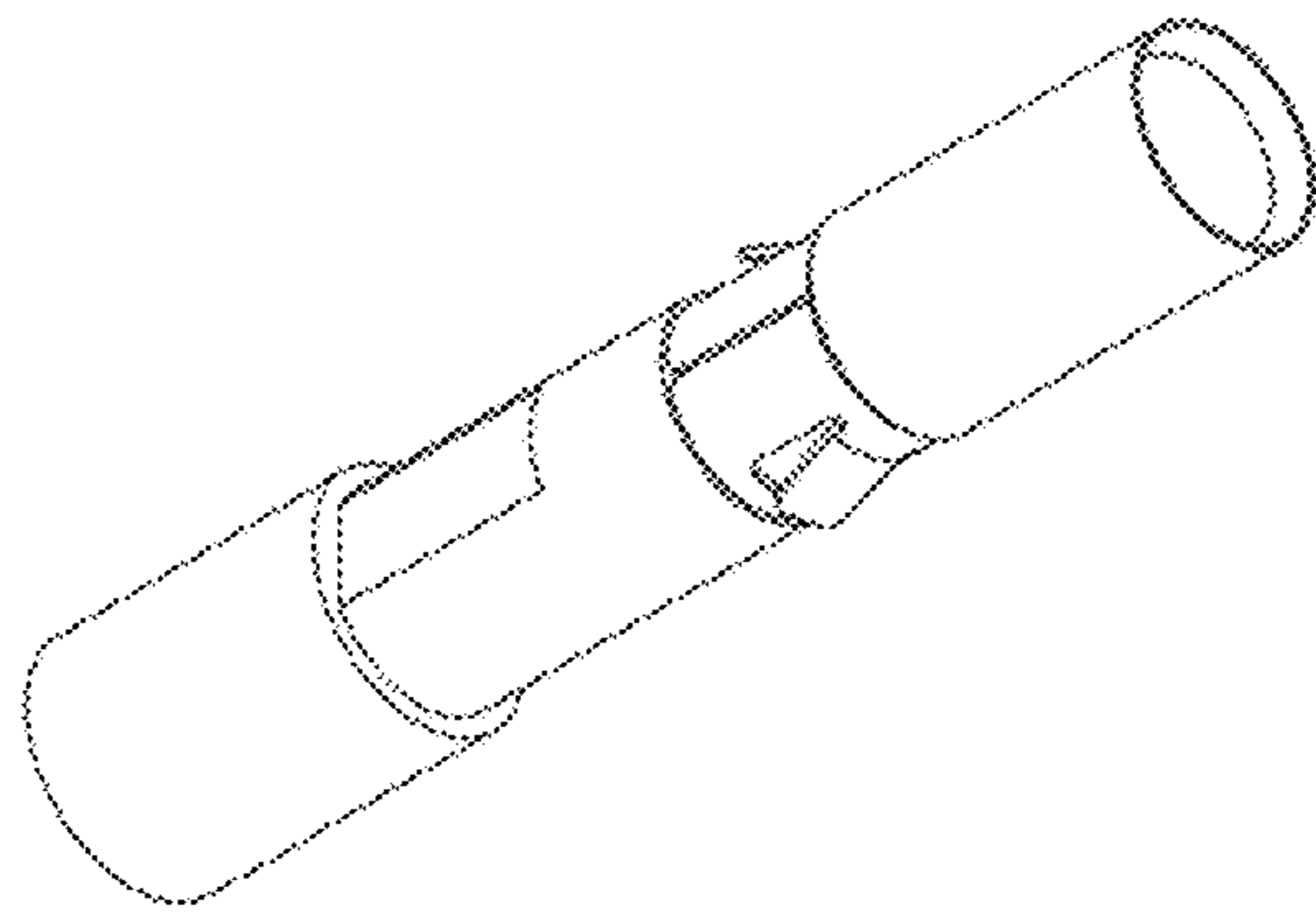


FIG. 1

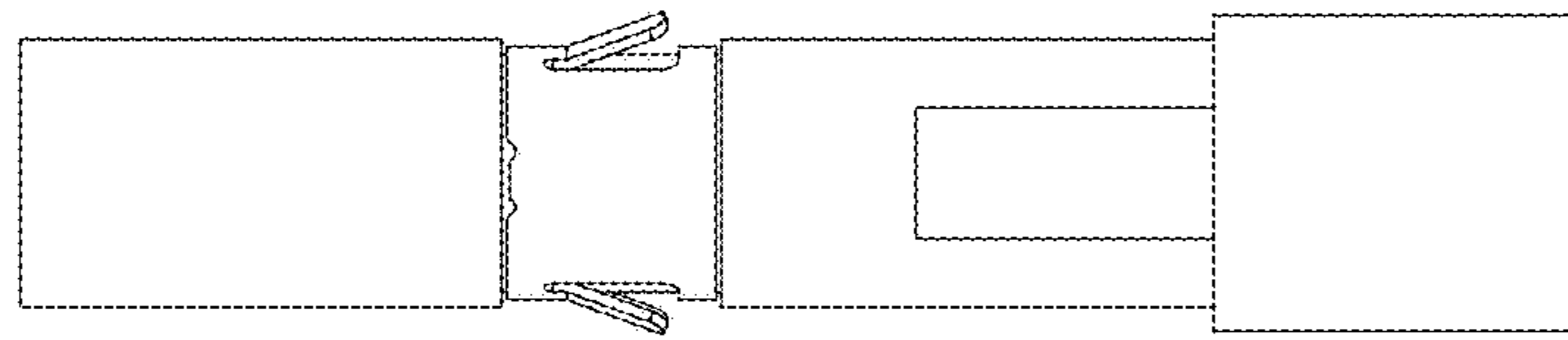


FIG. 2

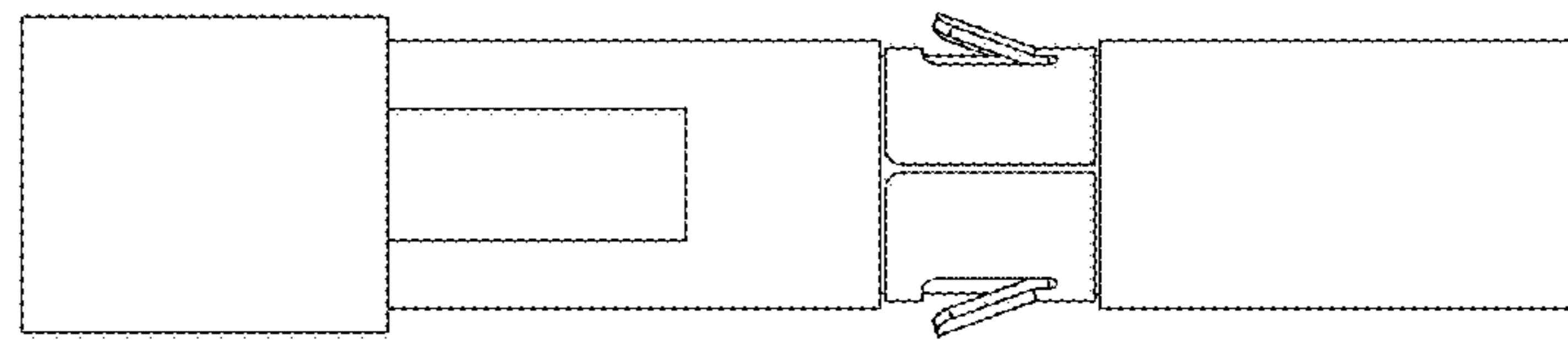


FIG. 3

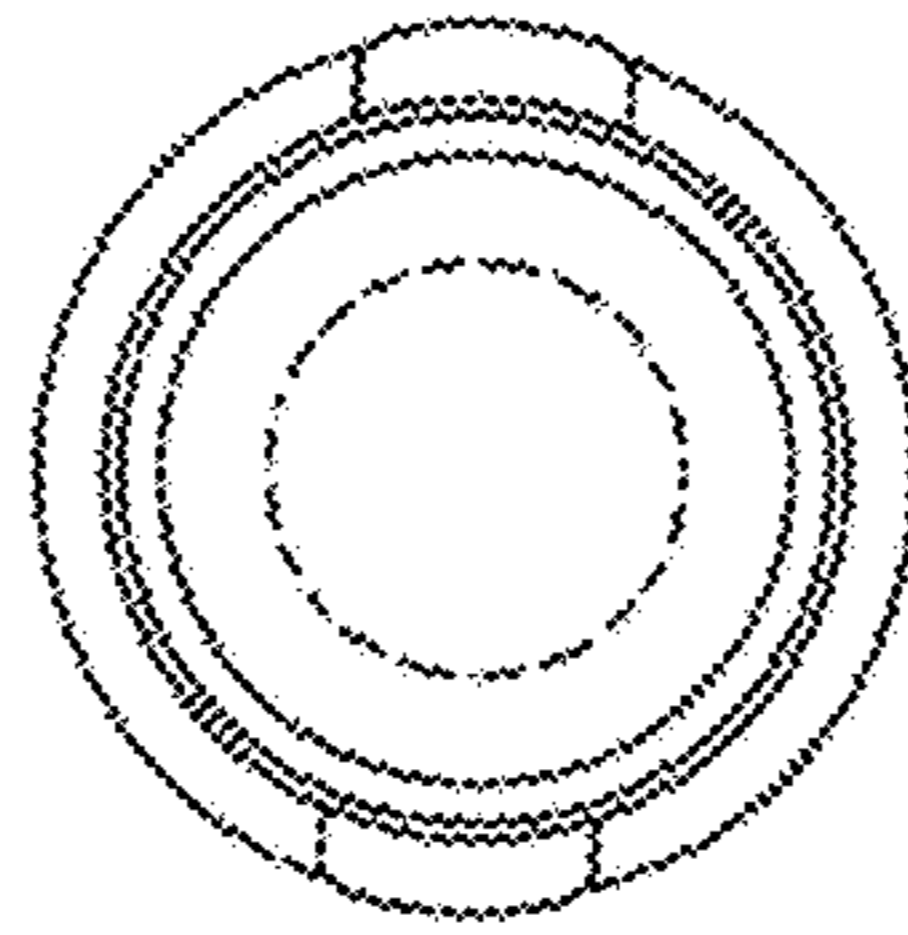


FIG. 4

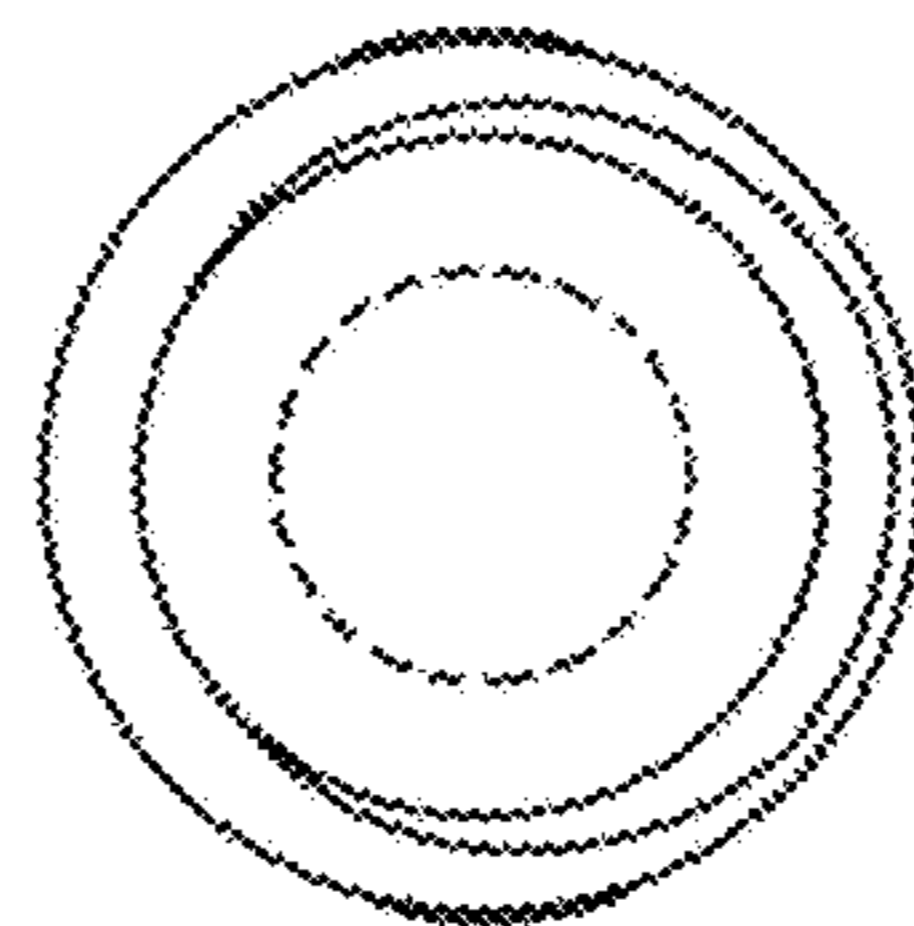


FIG. 5

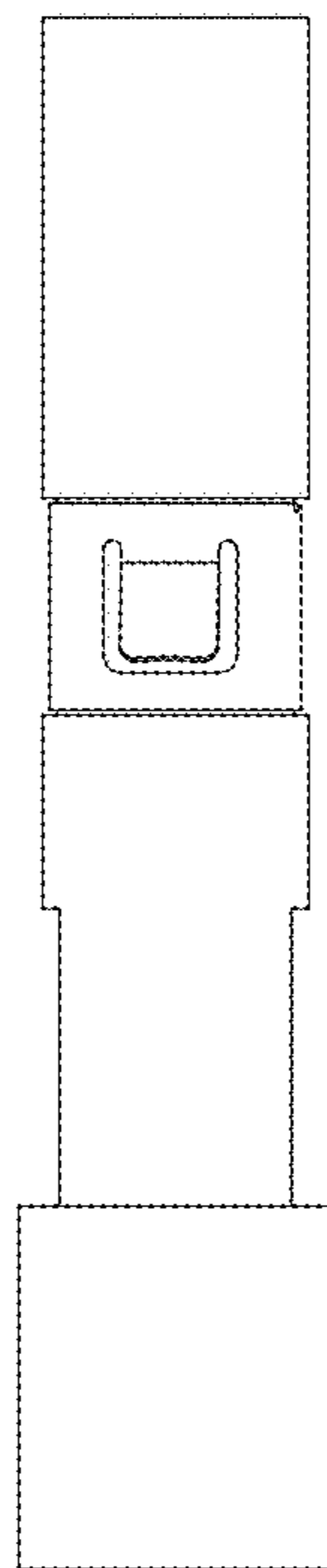


FIG. 6

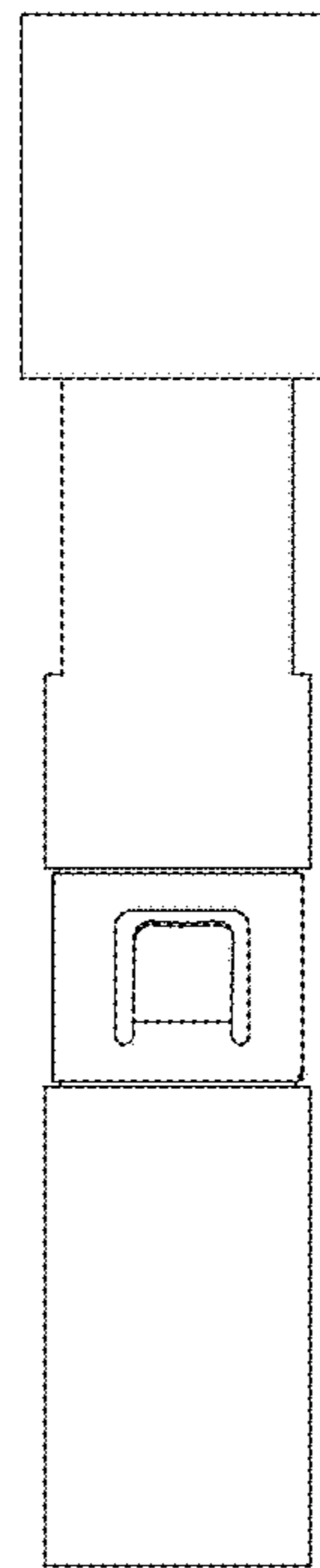


FIG. 7