



US00D853966S

(12) **United States Design Patent**  
**Nakayama et al.**

(10) **Patent No.:** **US D853,966 S**

(45) **Date of Patent:** **\*\* Jul. 16, 2019**

(54) **VACUUM GENERATOR**

(71) Applicant: **SMC CORPORATION**, Chiyoda-ku (JP)

(72) Inventors: **Toru Nakayama**, Soka (JP); **Koji Sugano**, Koshigaya (JP); **Yasuhiro Ushijima**, Joso (JP); **Masayuki Enomoto**, Moriya (JP)

(73) Assignee: **SMC CORPORATION**, Chiyoda-ku (JP)

(\*\*) Term: **15 Years**

(21) Appl. No.: **29/638,896**

(22) Filed: **Mar. 1, 2018**

(30) **Foreign Application Priority Data**

Sep. 12, 2017 (JP) ..... 2017-019843

(51) **LOC (11) Cl.** ..... **13-01**

(52) **U.S. Cl.**  
USPC ..... **D13/112**

(58) **Field of Classification Search**  
USPC ..... D13/112, 113, 114, 118, 122, 133, 146, D13/147, 154, 184, 199  
CPC .. F04B 49/00; F04F 5/48; F16C 29/02; F16C 33/043; F16H 25/24; F16H 57/04; C23C 14/06; C23C 16/27; C23C 28/04  
See application file for complete search history.

(56) **References Cited**

**U.S. PATENT DOCUMENTS**

D413,129 S \* 8/1999 Nagai ..... D15/199  
D550,617 S \* 9/2007 Wang ..... D13/101

D557,210 S \* 12/2007 Liu ..... D13/112  
D624,099 S \* 9/2010 Fukano ..... D13/158  
D624,572 S \* 9/2010 Fukano ..... D13/158  
D688,627 S \* 8/2013 Veeh ..... D13/112  
D762,574 S \* 8/2016 Grillenberger ..... D13/112  
D770,387 S \* 11/2016 Utermoehle ..... D13/147  
D816,032 S \* 4/2018 Panzer ..... D13/112  
D817,276 S \* 5/2018 Ozaki ..... D13/112  
D818,435 S \* 5/2018 Matthews ..... D13/112

\* cited by examiner

*Primary Examiner* — Daniel D Bui

(74) *Attorney, Agent, or Firm* — Oblon, McClelland, Maier & Neustadt, L.L.P.

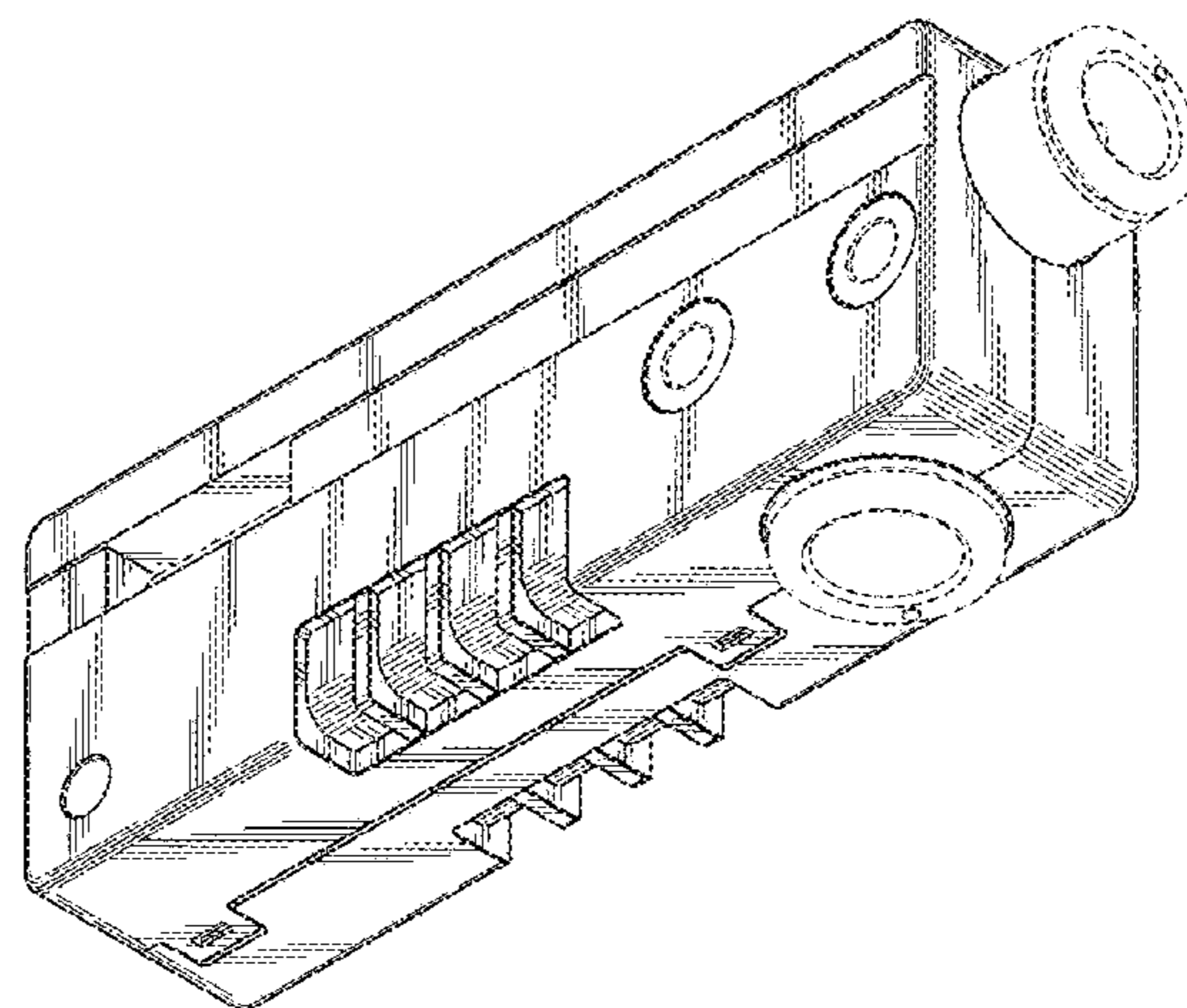
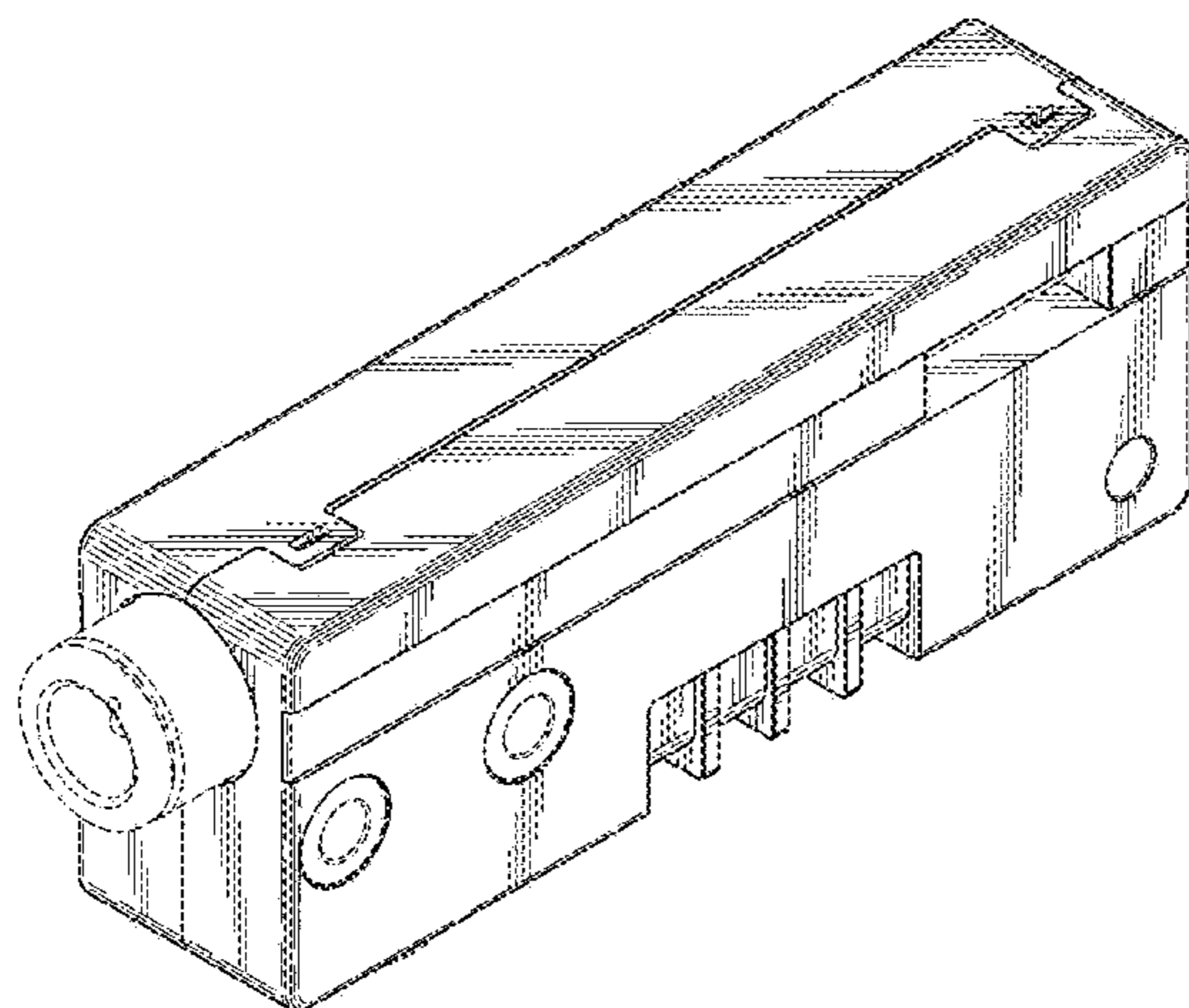
(57) **CLAIM**

The ornamental design for a vacuum generator, as shown and described.

**DESCRIPTION**

FIG. 1 is a front, top, and left side perspective view of a vacuum generator showing our new design;  
FIG. 2 is a rear, bottom, and left side perspective view thereof;  
FIG. 3 is a front elevational view thereof, the rear elevational view being a mirror image of the front elevational view shown;  
FIG. 4 is a top plan view thereof;  
FIG. 5 is a bottom plan view thereof;  
FIG. 6 is a left side elevational view thereof; and,  
FIG. 7 is a right side elevational view thereof.  
The broken lines in the drawings illustrate portions of the vacuum generator that form no part of the claimed design.

**1 Claim, 5 Drawing Sheets**



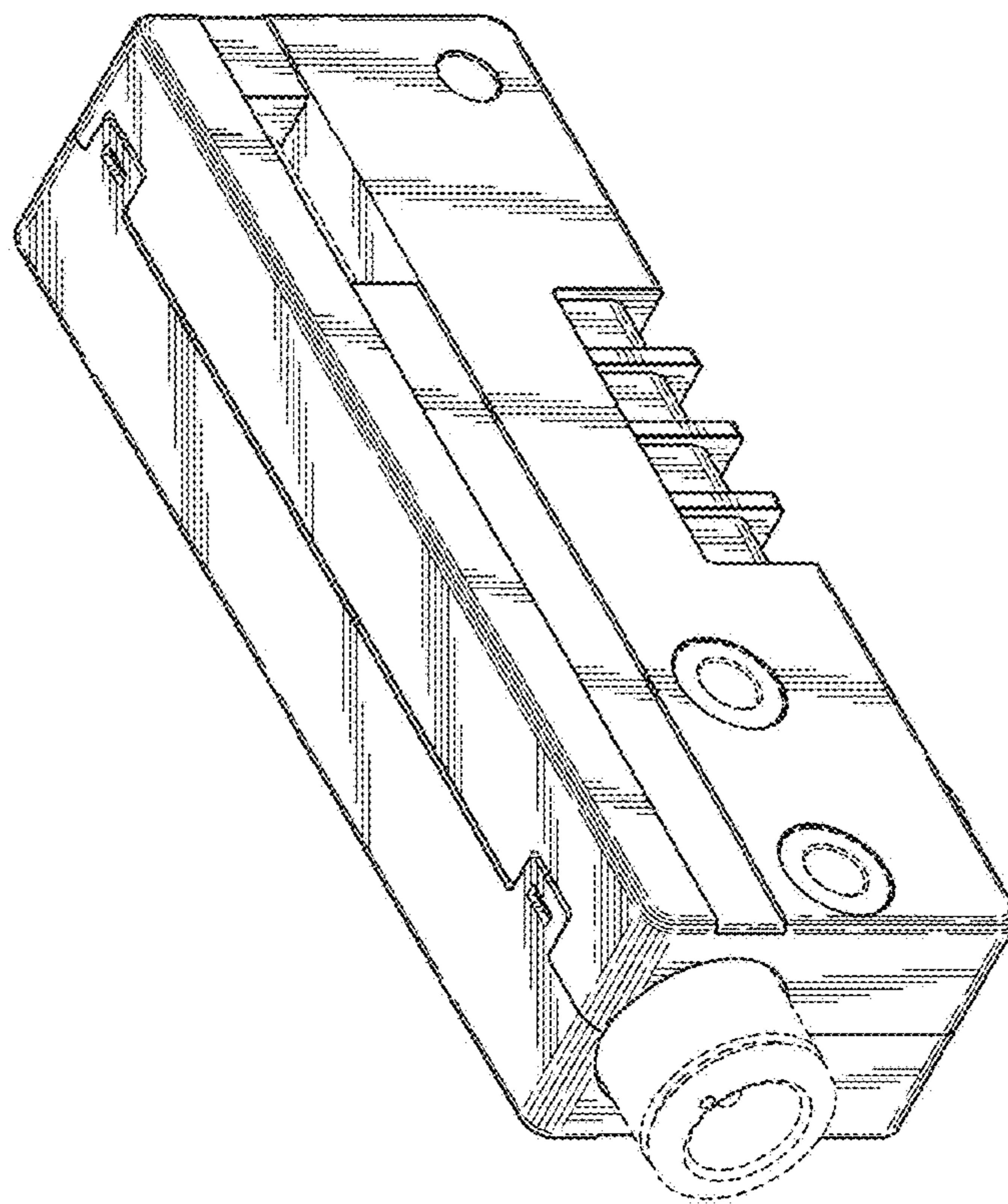


FIG. 1

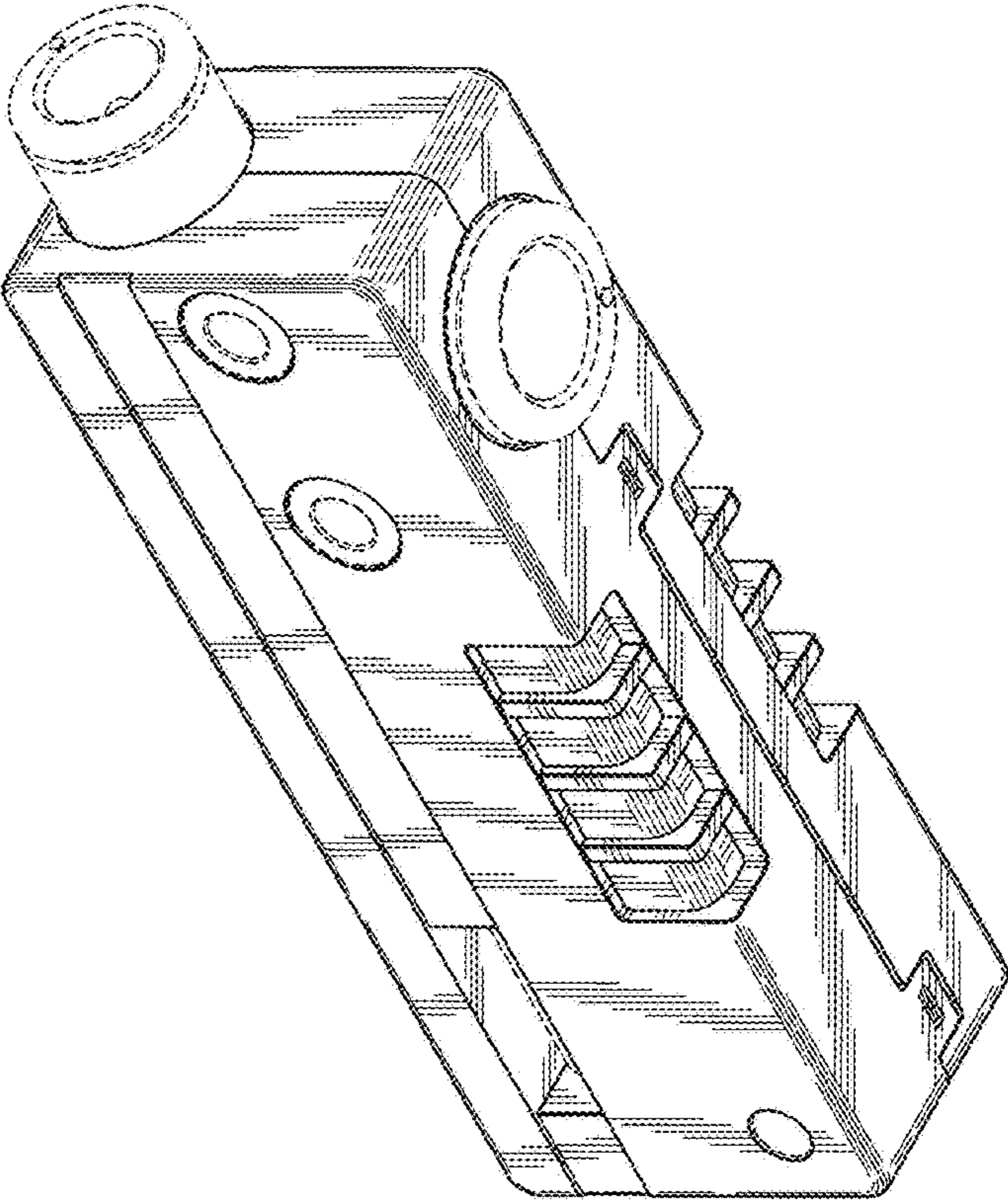


FIG. 2

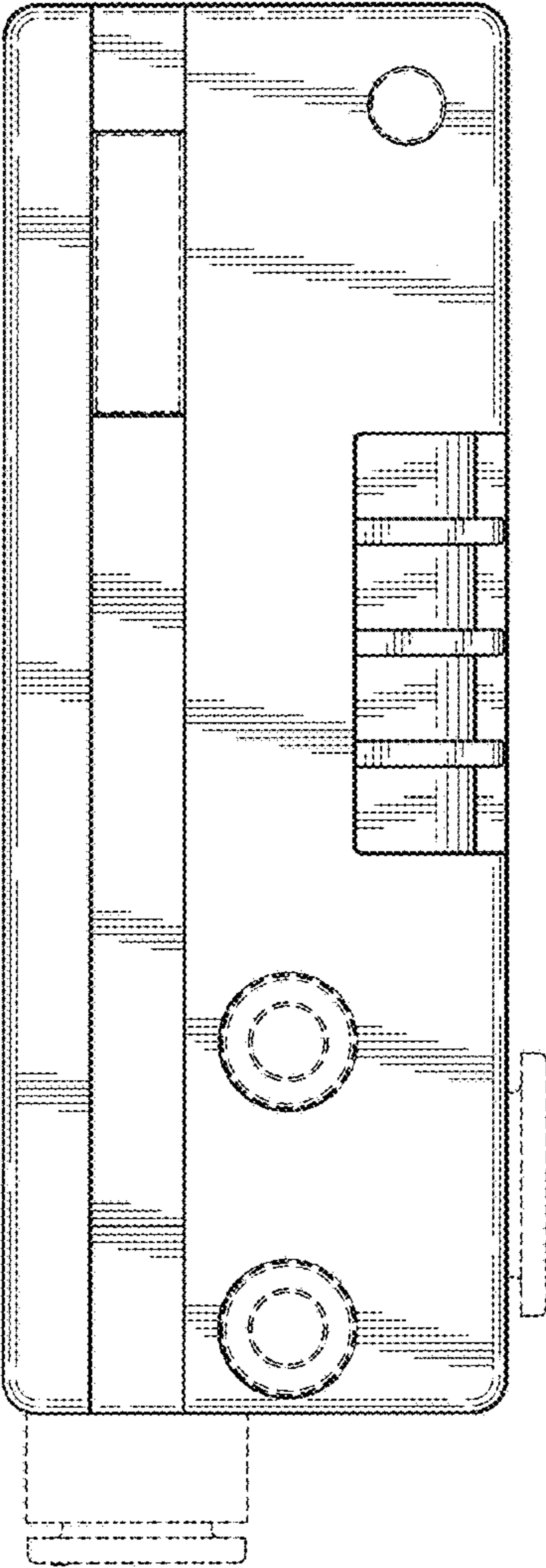


FIG. 3

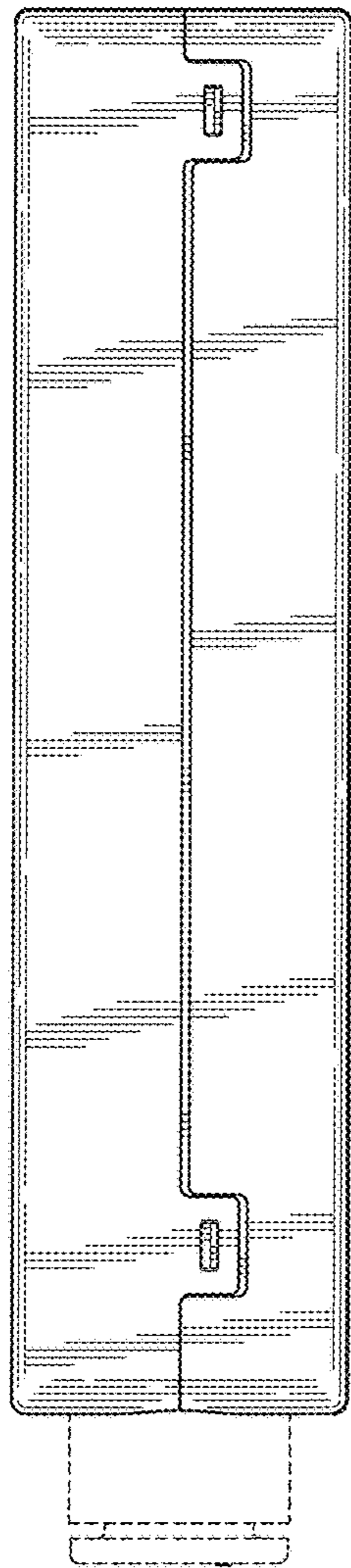


FIG. 4

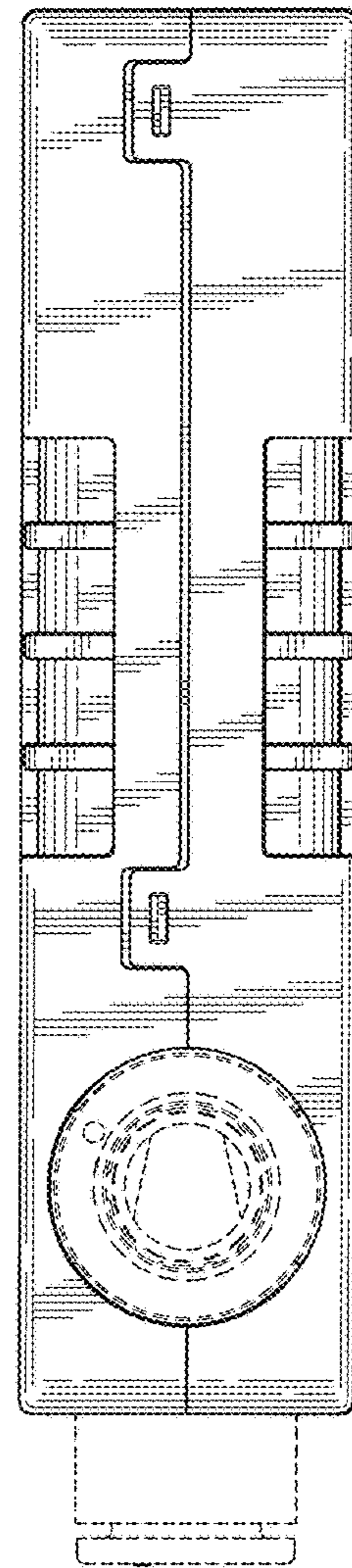


FIG. 5

FIG. 7

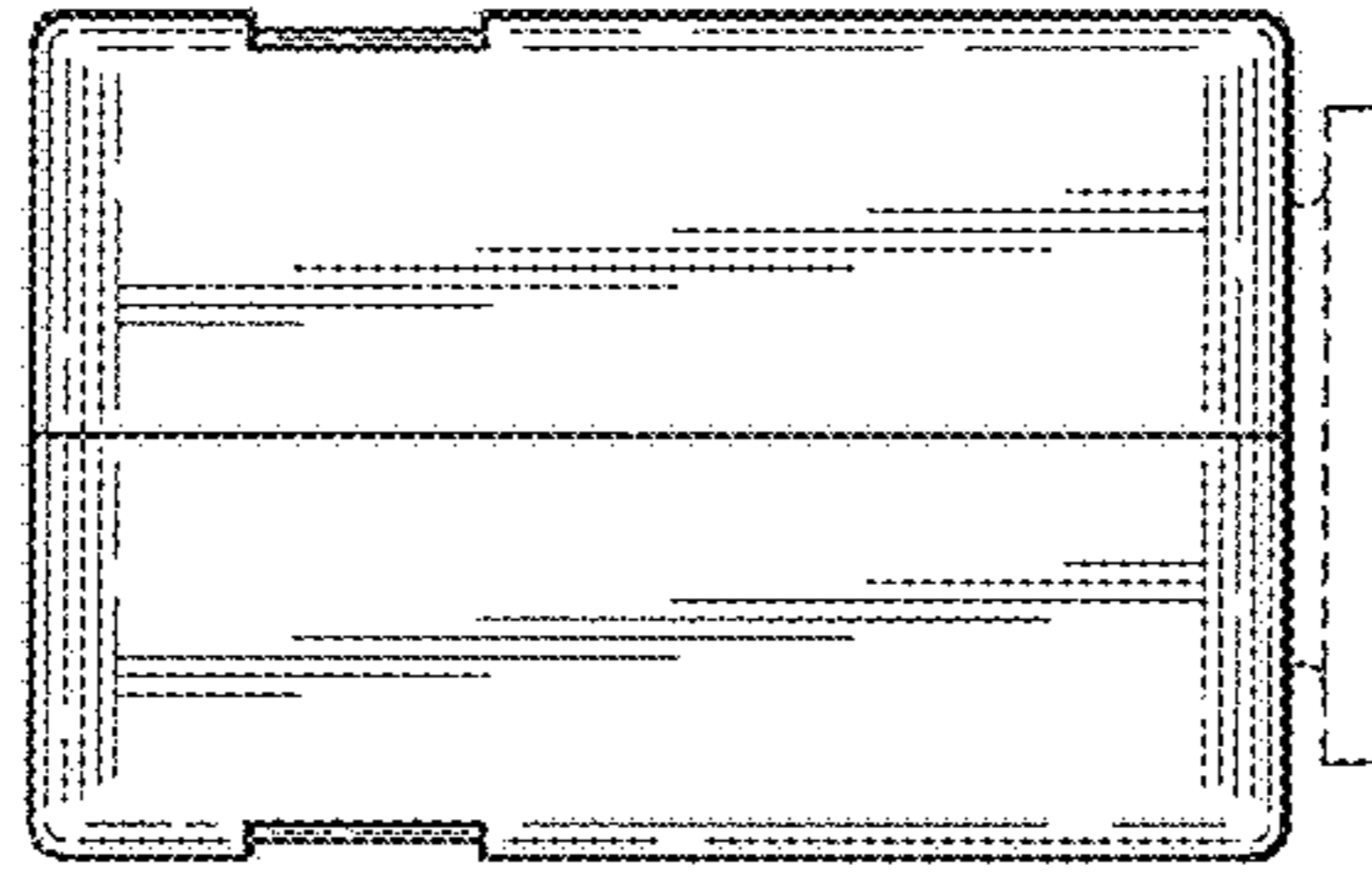


FIG. 6

