



US00D853964S

(12) **United States Design Patent** (10) **Patent No.:** **US D853,964 S**
Tanabe et al. (45) **Date of Patent:** **** Jul. 16, 2019**

(54) **MOTOR**

(71) Applicant: **Panasonic Intellectual Property Management Co., Ltd., Osaka (JP)**

(72) Inventors: **Yuichi Tanabe, Osaka (JP); Masahiko Morisaki, Osaka (JP); Masatomo Kumashiro, Osaka (JP); Toshifumi Tsutsumi, Osaka (JP)**

6,118,197 A * 9/2000 Bohlen H02K 5/10
 29/596

D516,506 S * 3/2006 Ichimaru D13/112

D633,867 S * 3/2011 Sasaki et al.

D673,911 S * 1/2013 Tanabe D13/112

D680,071 S * 4/2013 Tanabe D13/112

D709,451 S * 7/2014 Tanabe D13/112

(Continued)

FOREIGN PATENT DOCUMENTS

(73) Assignee: **Panasonic Intellectual Property Management Co., Ltd., Osaka (JP)**

JP D1403159 12/2010

Primary Examiner — Derrick E Holland

(**) Term: **15 Years**

(74) *Attorney, Agent, or Firm* — Panasonic IP Management; Kerry S. Culpepper

(21) Appl. No.: **29/633,386**

(57) **CLAIM**

(22) Filed: **Jan. 12, 2018**

We claim the ornamental design for a motor, as shown and described.

(30) **Foreign Application Priority Data**

DESCRIPTION

Jul. 28, 2017 (CN) 2017 3 0338602

(51) **LOC (11) Cl.** **13-01**

(52) **U.S. Cl.**
USPC **D13/112**

(58) **Field of Classification Search**
 USPC D13/112, 113, 114, 122, 199; D15/3, 5, D15/199; 74/606 R, 609; 310/10, 40 R, 310/42, 51, 58, 71, 80, 83, 85, 89, 91, 310/109, 236, 239, 254; 318/245, 255
 CPC .. H02K 5/04; H02K 5/10; H02K 5/22; H02K 5/24; H02K 5/148; H02K 29/14; H02K 3/24; H02K 3/47; H02P 6/06; F28F 1/20; Y10T 74/2186; Y10T 74/19684

See application file for complete search history.

FIG. 1 is a front perspective view of a motor of the present invention;
 FIG. 2 is a front view thereof;
 FIG. 3 is a rear view thereof;
 FIG. 4 is a first side view thereof;
 FIG. 5 is a second side view thereof;
 FIG. 6 is a top view thereof;
 FIG. 7 is a bottom view thereof;
 FIG. 8 is a front perspective view of a second embodiment of a motor of the present invention;
 FIG. 9 is a front view thereof;
 FIG. 10 is a rear view thereof;
 FIG. 11 is a first side view thereof;
 FIG. 12 is a second side view thereof;
 FIG. 13 is a top view thereof; and,
 FIG. 14 is a bottom view thereof.

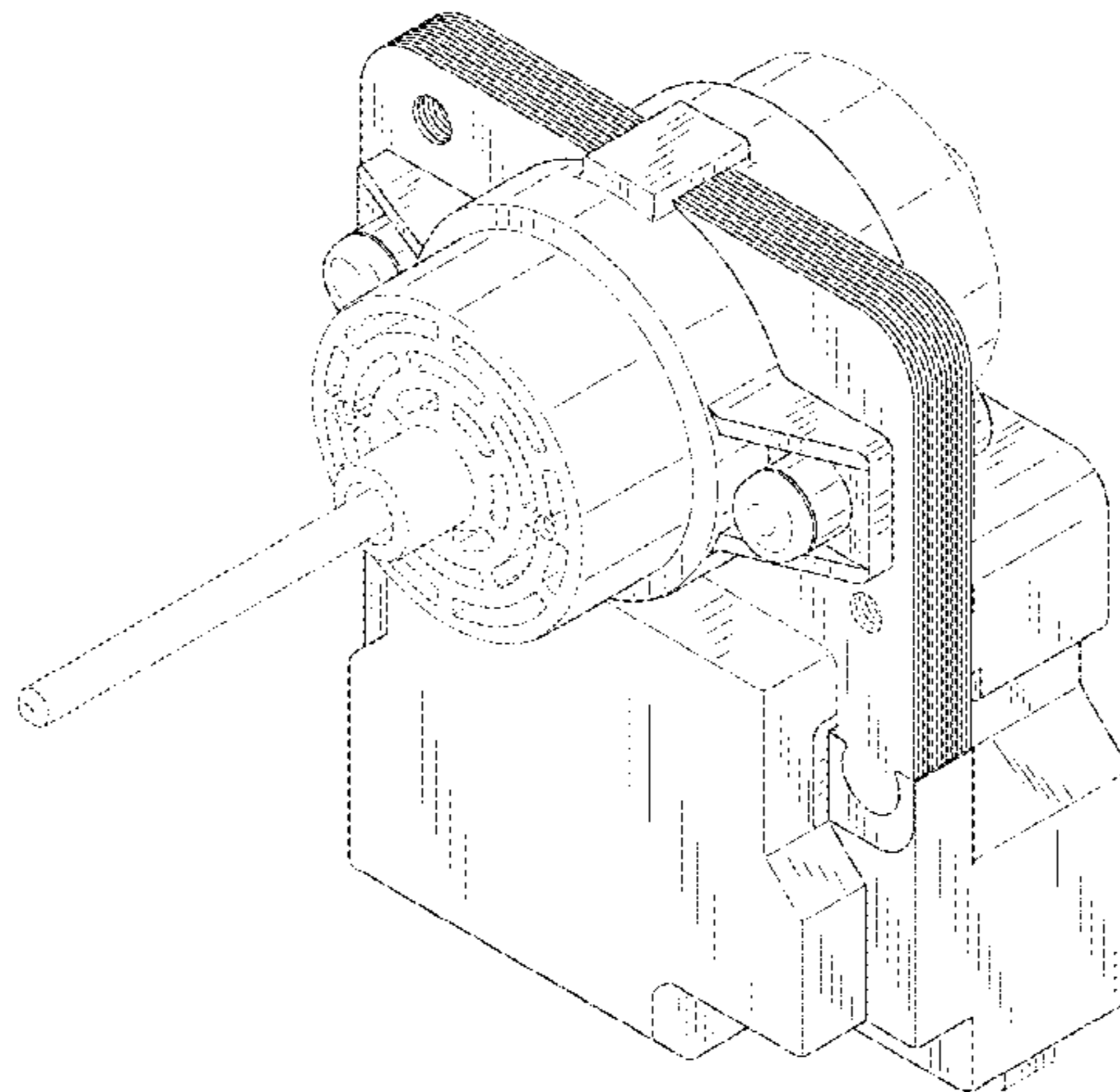
(56) **References Cited**

U.S. PATENT DOCUMENTS

D194,910 S * 4/1963 Rutledge et al. D13/112
 5,172,605 A * 12/1992 Schwartz F16H 35/10
 74/421 A

The broken lines in the drawings represent portions of the motor that form no part of the claimed design. Additionally, the dash-dot-dashed lines in the drawings define the boundaries of the claimed design.

1 Claim, 14 Drawing Sheets



(56)

References Cited

U.S. PATENT DOCUMENTS

D741,260 S * 10/2015 Yabuuchi D13/112
D755,718 S * 5/2016 Wu D13/114
D770,977 S * 11/2016 Wu D13/114

* cited by examiner

FIG. 1

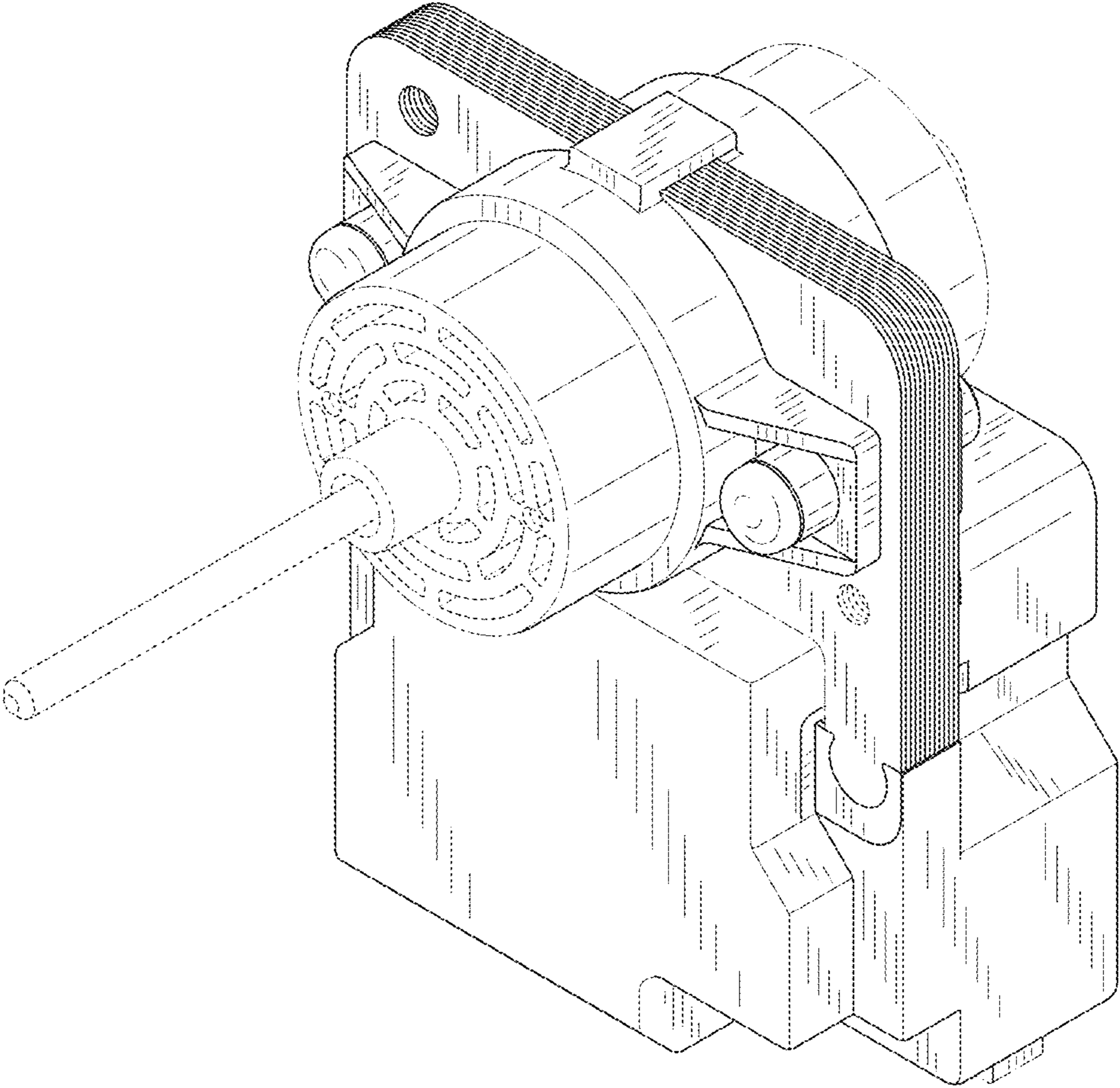


FIG. 2

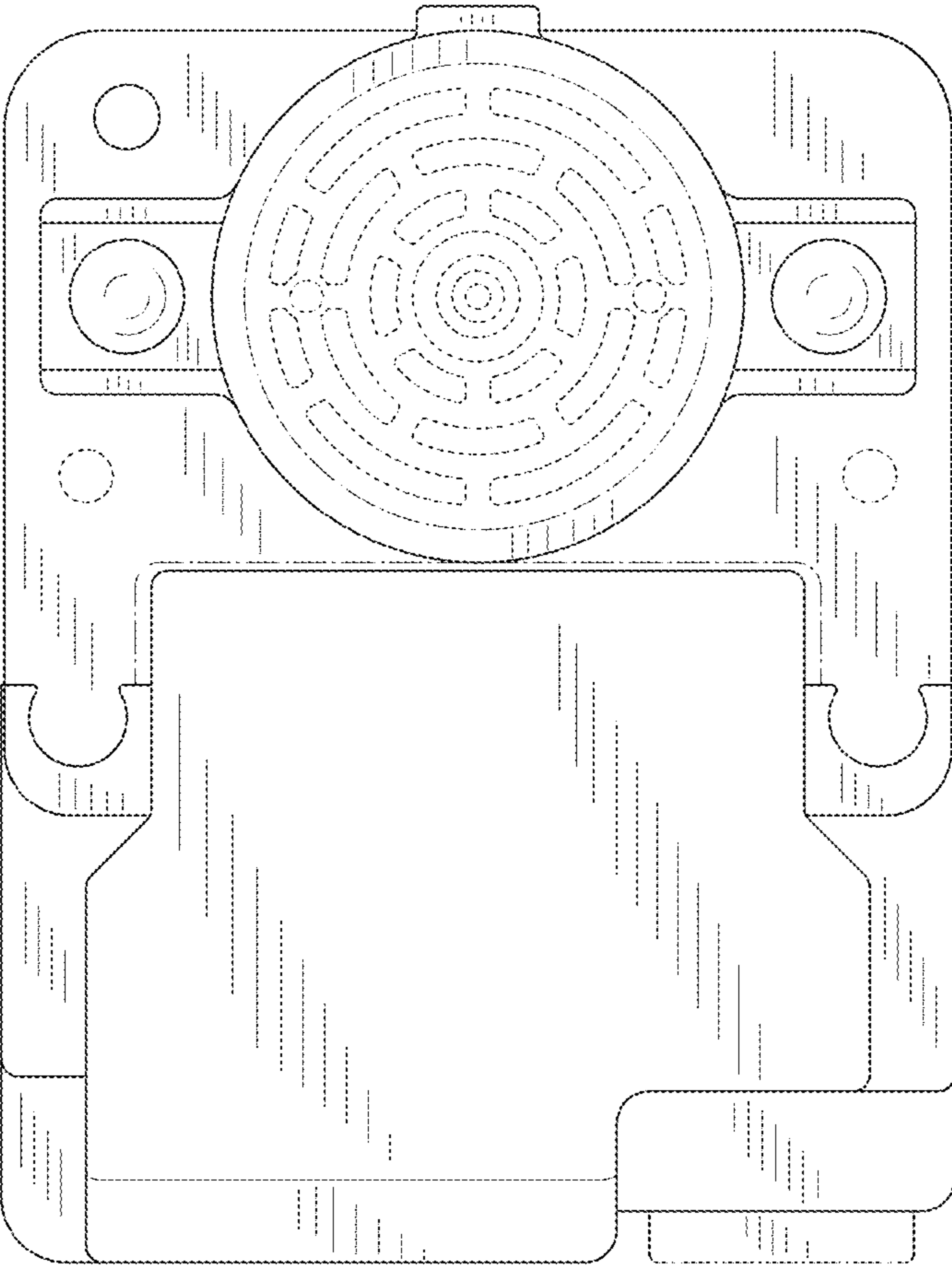


FIG. 3

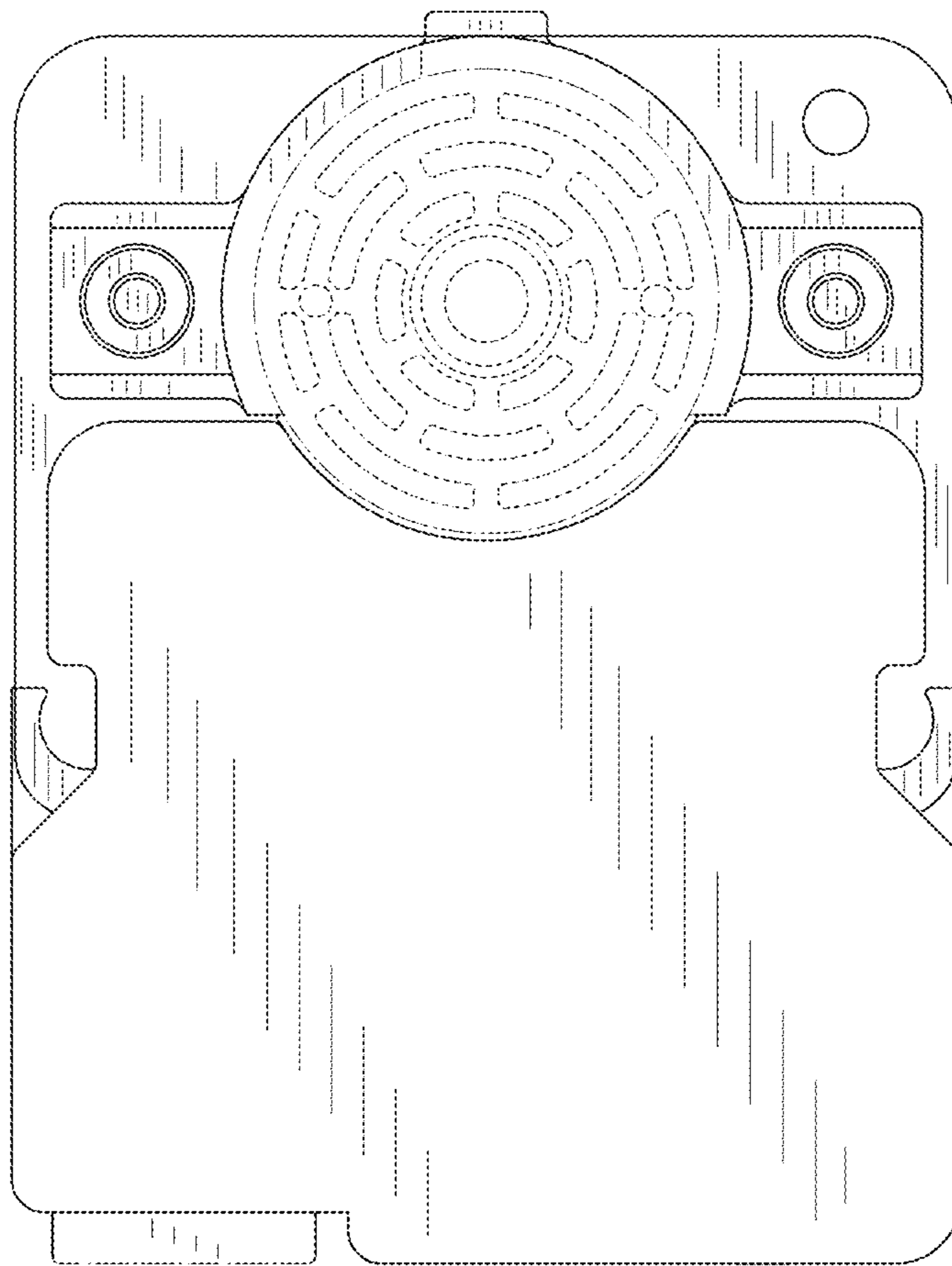


FIG. 4

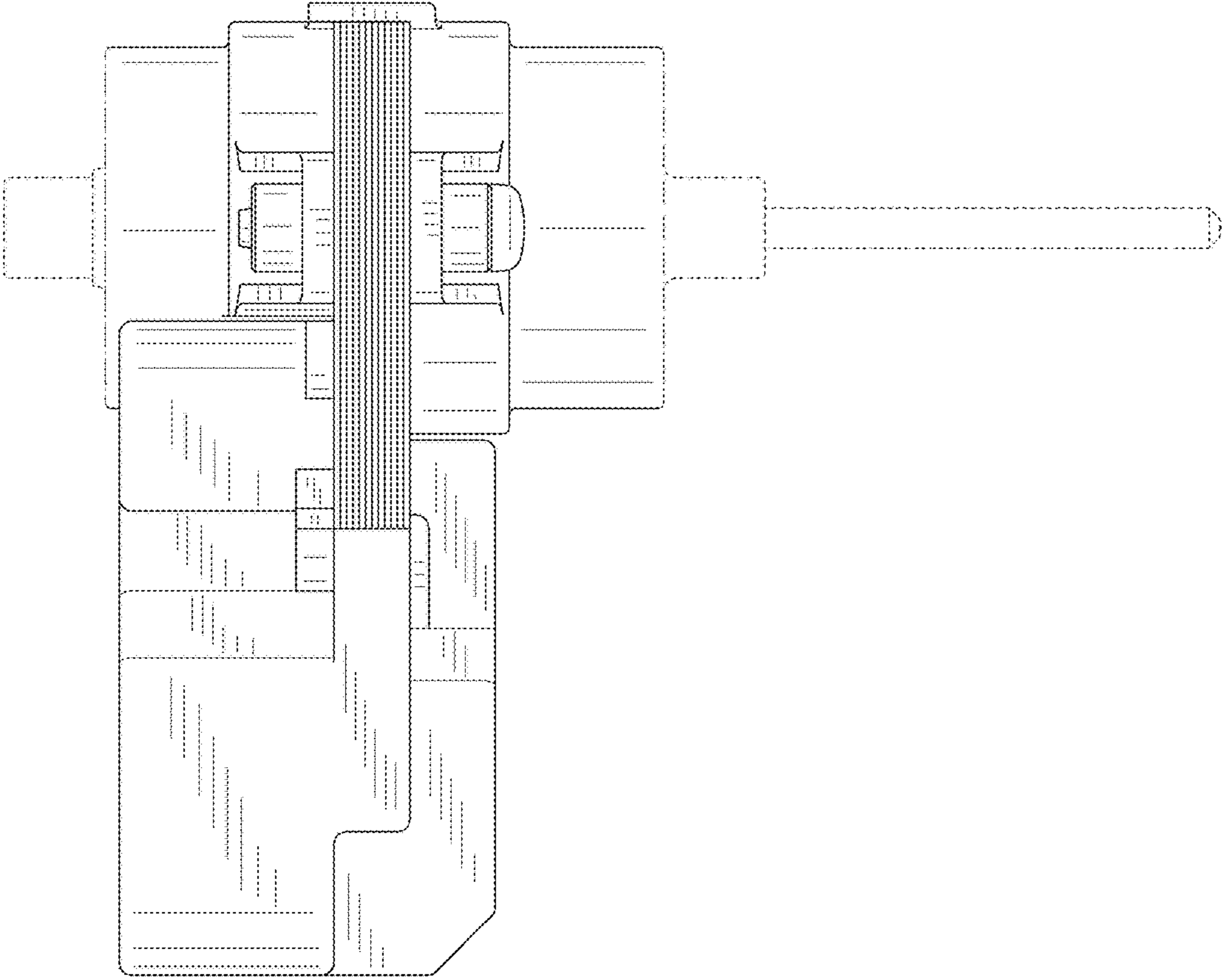


FIG. 5

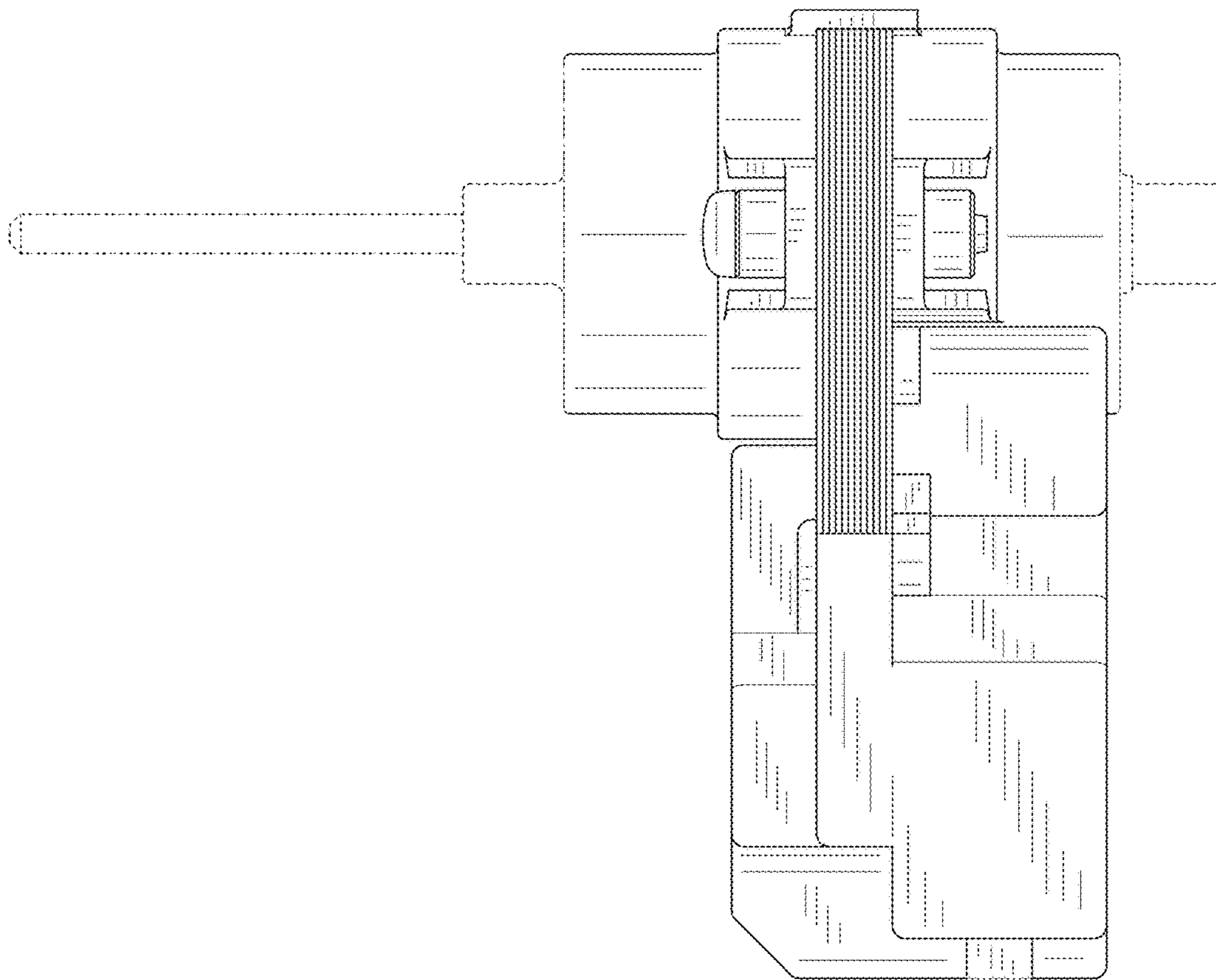


FIG. 6

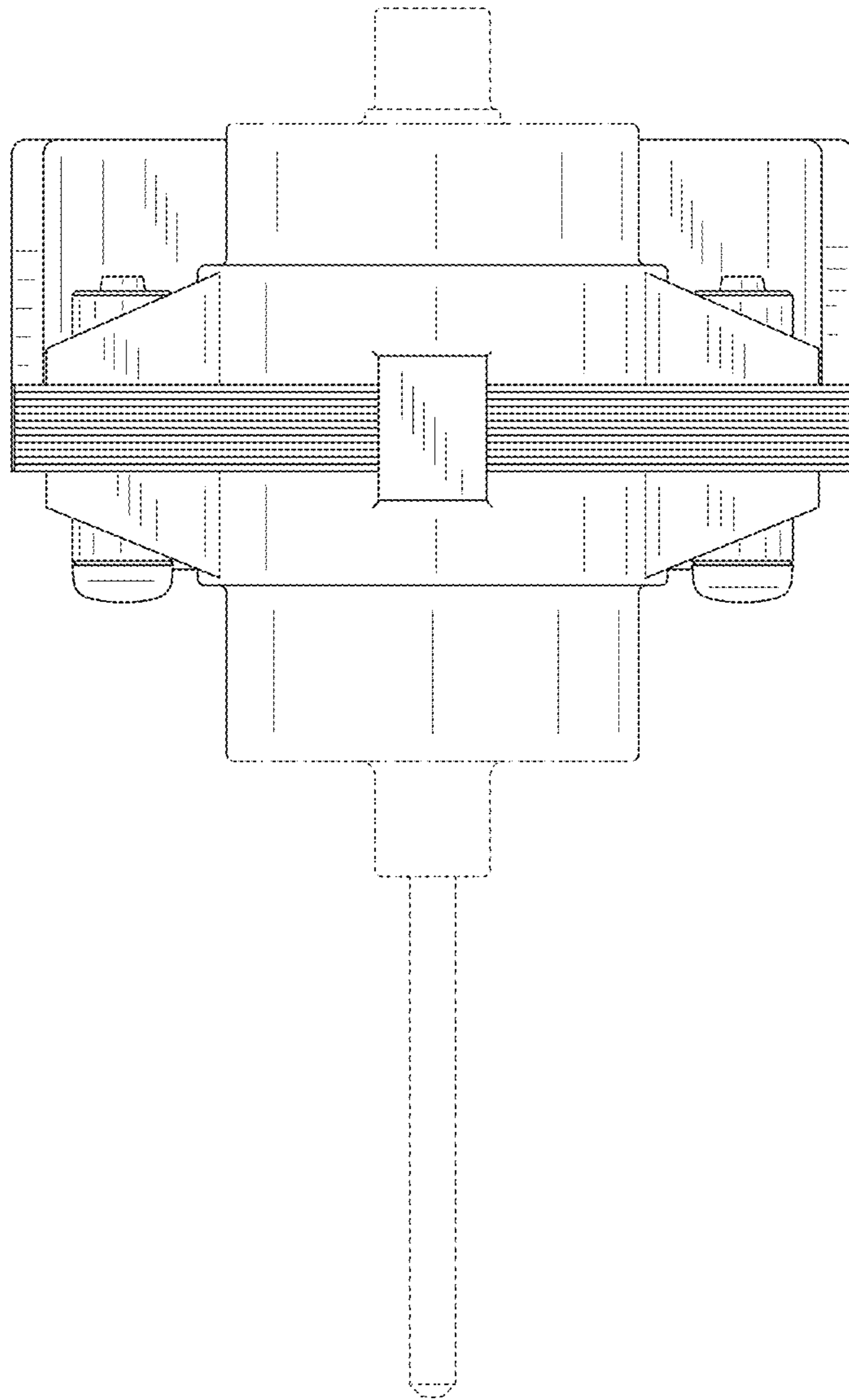


FIG. 7

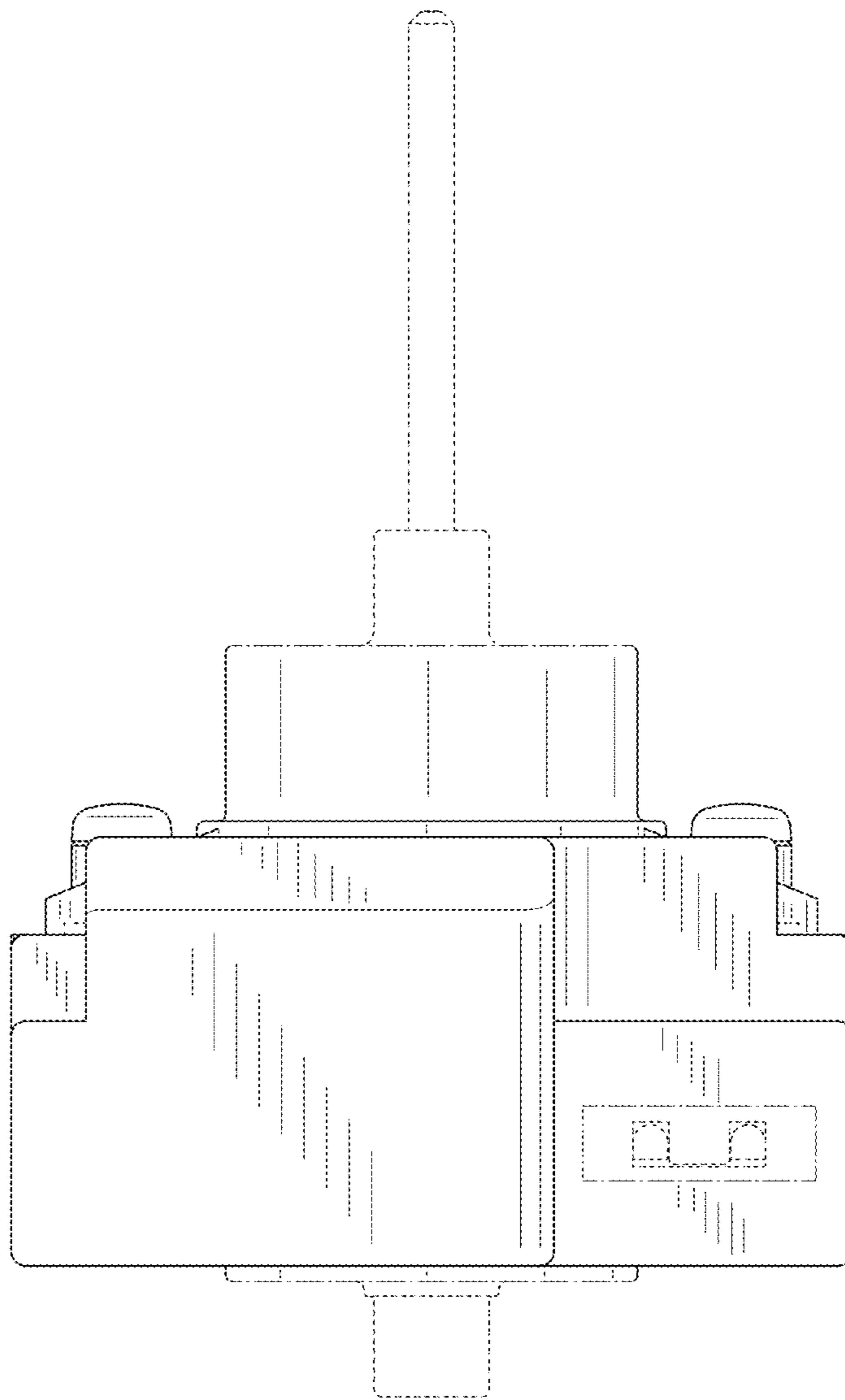


FIG. 8

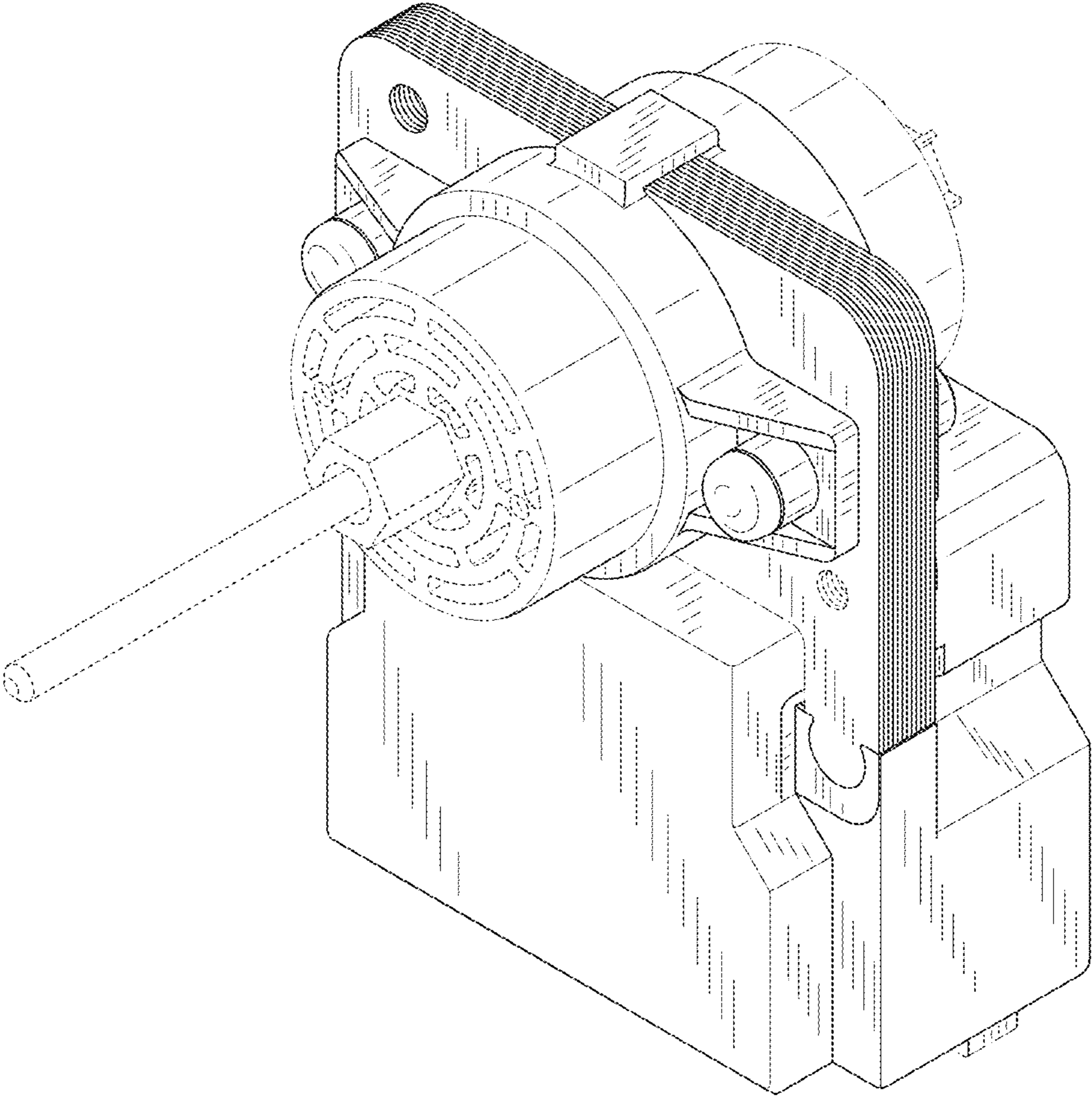


FIG. 9

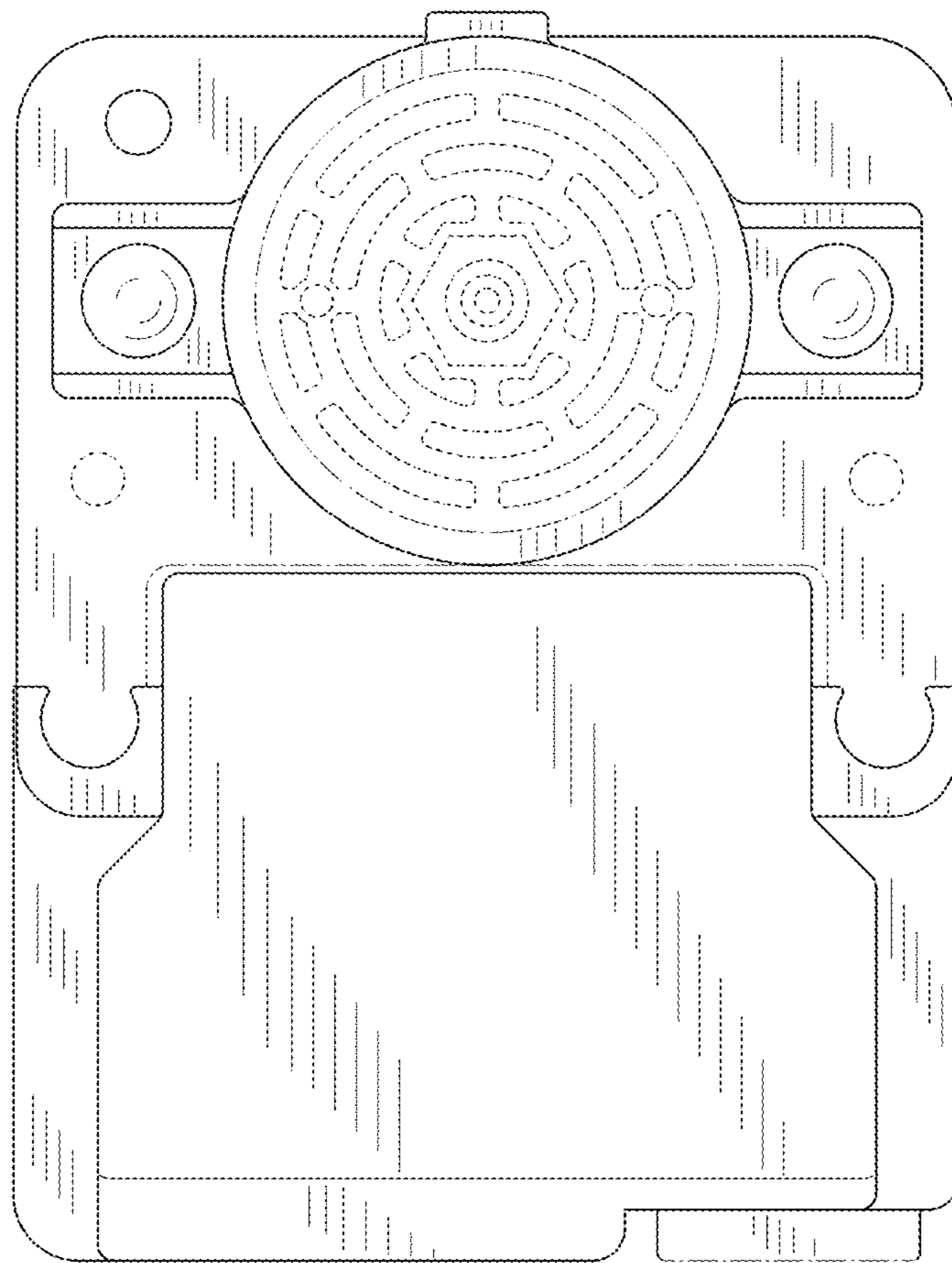


FIG. 10

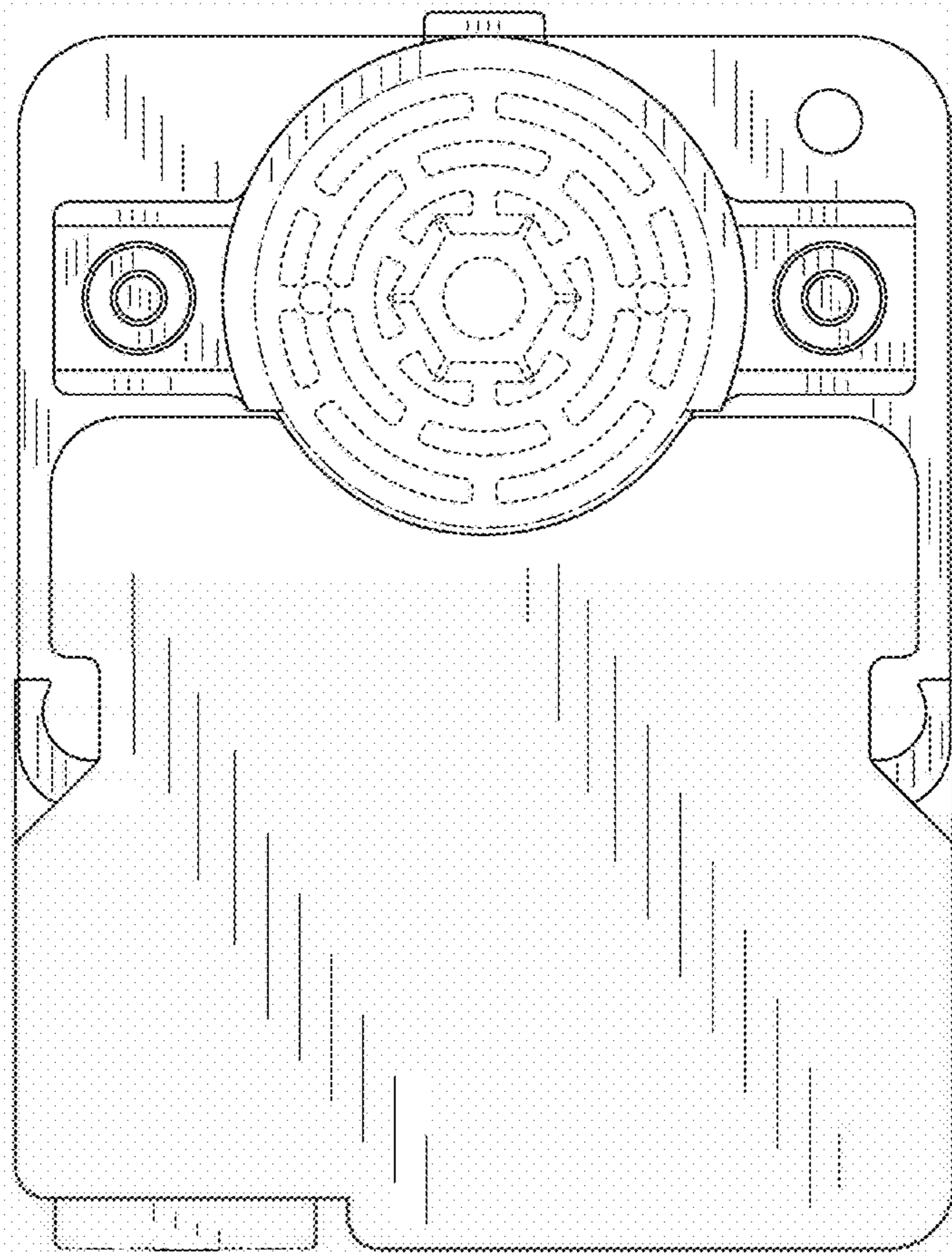


FIG. 11

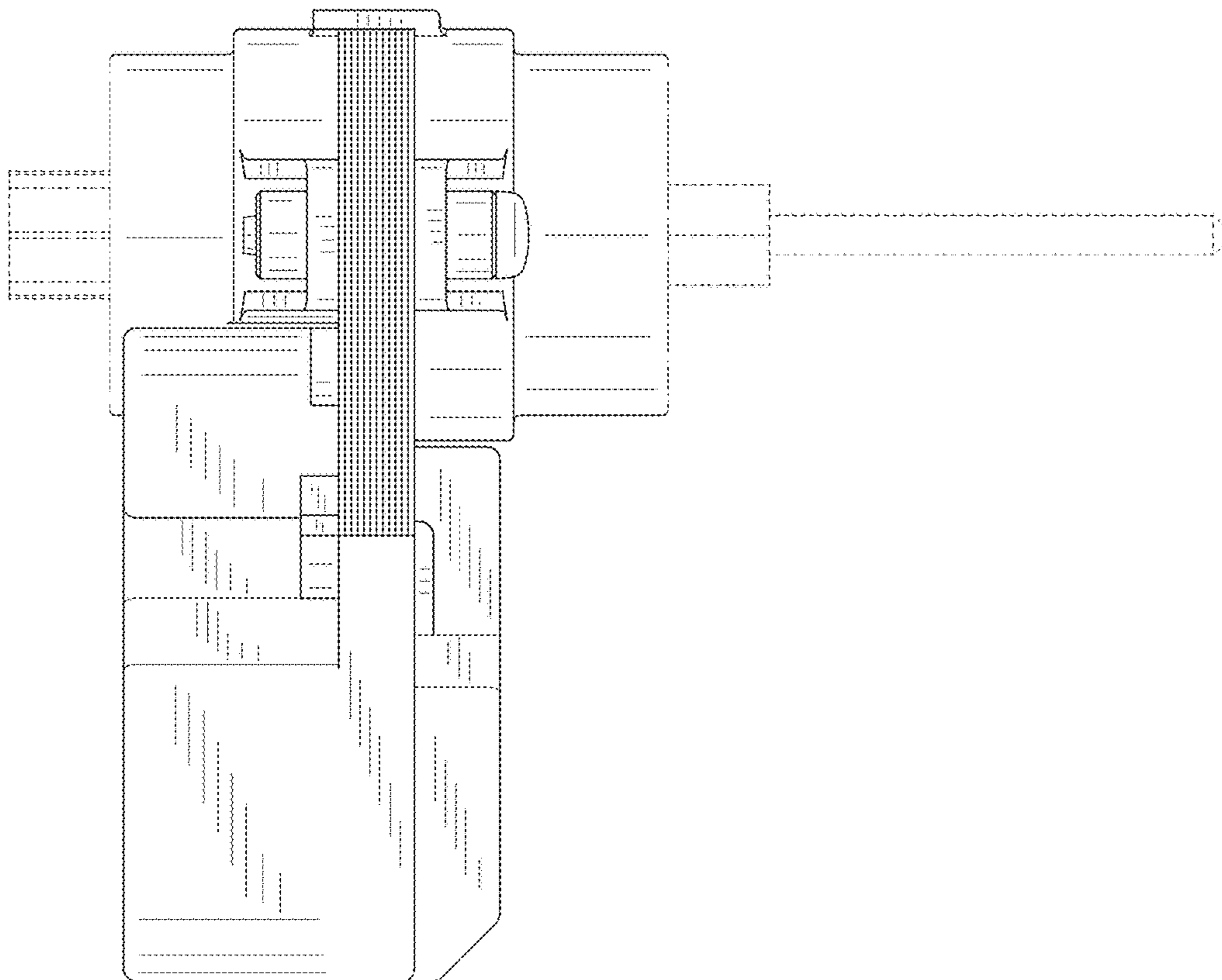


FIG. 12

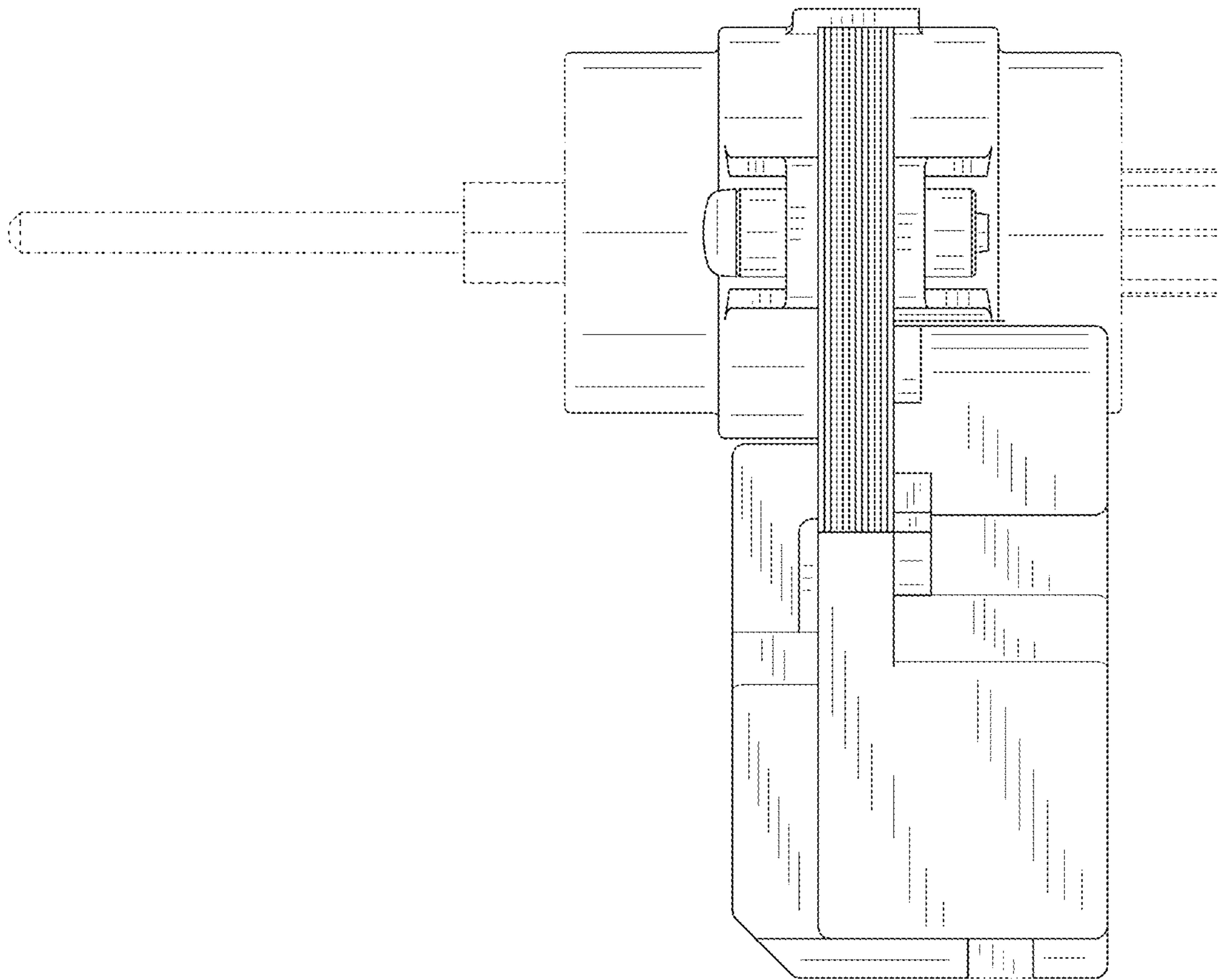


FIG. 13

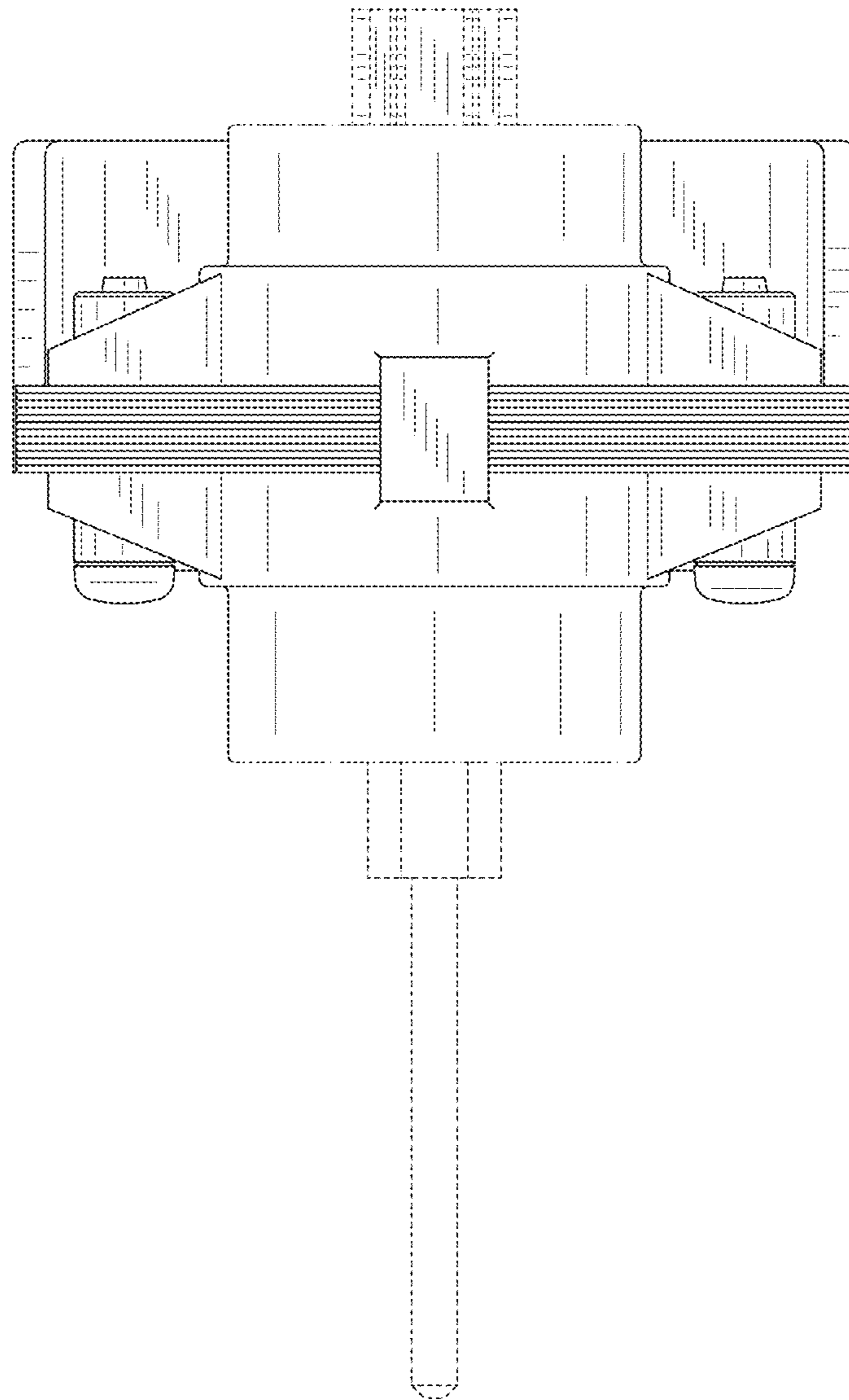


FIG. 14

