



US00D853961S

(12) **United States Design Patent**
Kanarellis

(10) **Patent No.:** **US D853,961 S**

(45) **Date of Patent:** **** Jul. 16, 2019**

(54) **HOUSING FOR A POWER SUPPLY, SWITCH, AND BATTERIES**

(71) Applicant: **BTU RESEARCH LLC**, Houston, TX (US)

(72) Inventor: **Michael Kanarellis**, Houston, TX (US)

(73) Assignee: **BTU RESEARCH LLC**, Houston, TX (US)

(**) Term: **15 Years**

(21) Appl. No.: **29/629,409**

(22) Filed: **Dec. 13, 2017**

(51) **LOC (11) Cl.** **13-02**

(52) **U.S. Cl.**
USPC **D13/110**

(58) **Field of Classification Search**
USPC D13/110, 103, 108, 118, 123, 162, 168, D13/169, 174, 177, 184, 199; D14/257, D14/432, 438; 174/16.3, 17 R, 17.08; 361/600, 601, 690, 694, 695, 679.01, 361/679.61, 704, 730; 363/141, 142
CPC H05K 5/00; H05K 5/02; H05K 5/0247; H05K 7/00; H05K 7/16; H05K 7/20; H05K 7/20136; H05K 7/20154; H05K 7/209; H02M 7/00; H02M 7/003; H02M 2001/009; H02J 7/0042; Y10T 307/367; H01R 13/645; H01R 13/6315
See application file for complete search history.

(56) **References Cited**

U.S. PATENT DOCUMENTS

D264,460 S * 5/1982 Moller D13/184
5,622,511 A * 4/1997 Jarrett H01R 13/6315
439/248
D387,032 S * 12/1997 Tracewell D13/110

D429,213 S * 8/2000 Colver D13/110
D494,538 S 8/2004 Erskine
D528,504 S 9/2006 Bobbin
D573,534 S * 7/2008 Andersson D13/113
D582,848 S * 12/2008 Johansson D13/123
D586,738 S 2/2009 Zarembo
7,817,406 B2 * 10/2010 Bremicker H02M 7/003
248/917
D662,047 S 6/2012 Brockman et al.
D775,076 S 12/2016 Tsai et al.
2003/0123222 A1 * 7/2003 Thompson H05K 7/20581
361/679.48
2008/0302643 A1 * 12/2008 Victor H02M 7/003
200/331

* cited by examiner

Primary Examiner — Derrick E Holland

(74) *Attorney, Agent, or Firm* — Craft Chu PLLC;
Andrew W. Chu

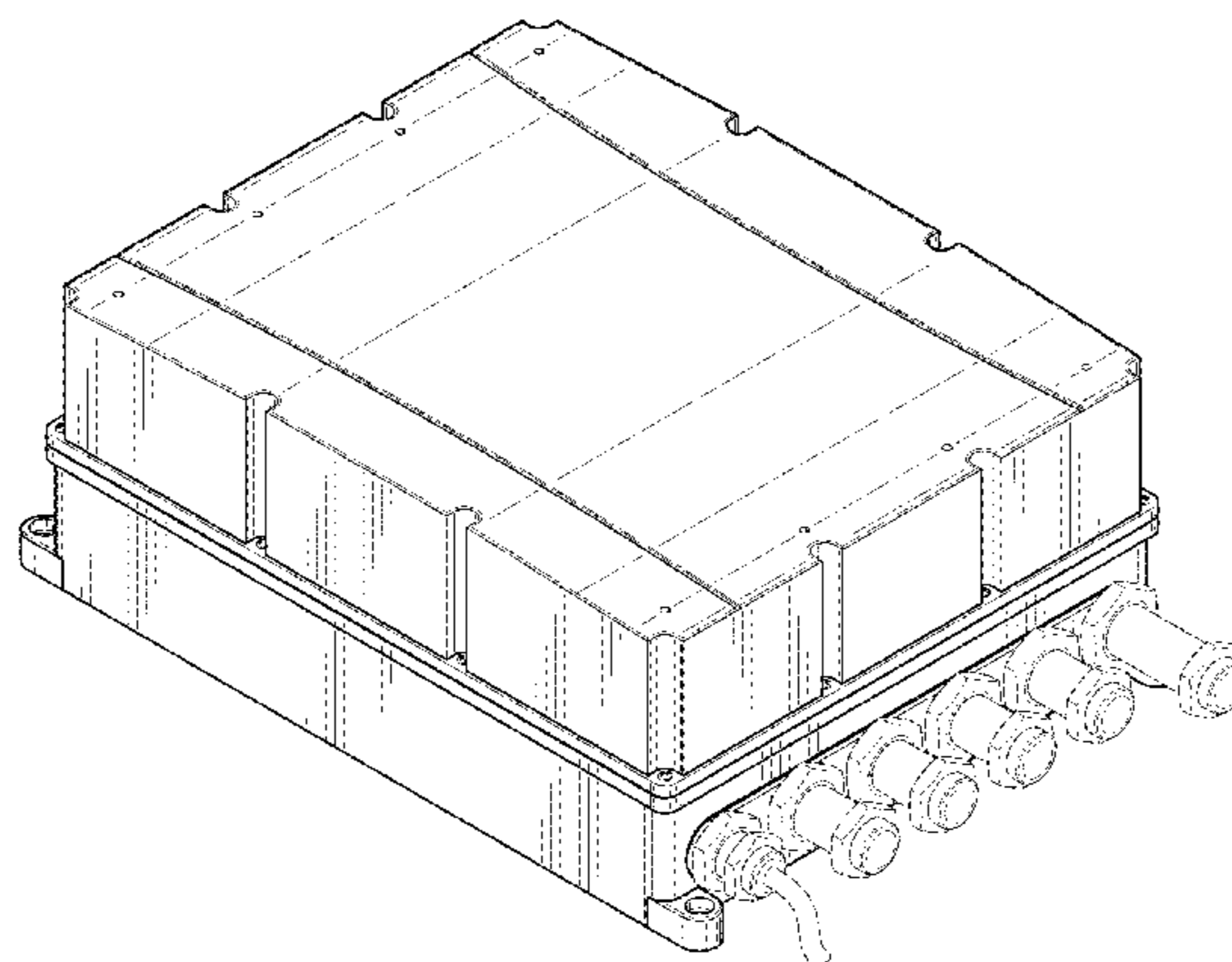
(57) **CLAIM**

The ornamental design for a housing for a power supply, switch, and batteries, as shown and described.

DESCRIPTION

FIG. 1 is a perspective view of a housing for a power supply, switch, and batteries showing my new design;
FIG. 2 is a front elevation view thereof;
FIG. 3 is a back elevation view thereof;
FIG. 4 is a side elevation view thereof;
FIG. 5 is an opposite side elevation view of that shown in FIG. 4 thereof;
FIG. 6 is a top plan view thereof;
FIG. 7 is a bottom plan view thereof;
FIG. 8 is an exploded perspective view thereof; and,
FIG. 9 is another exploded perspective view thereof.
The broken lines in the figures illustrate the portions of the design that form no part of the claimed design.

1 Claim, 6 Drawing Sheets



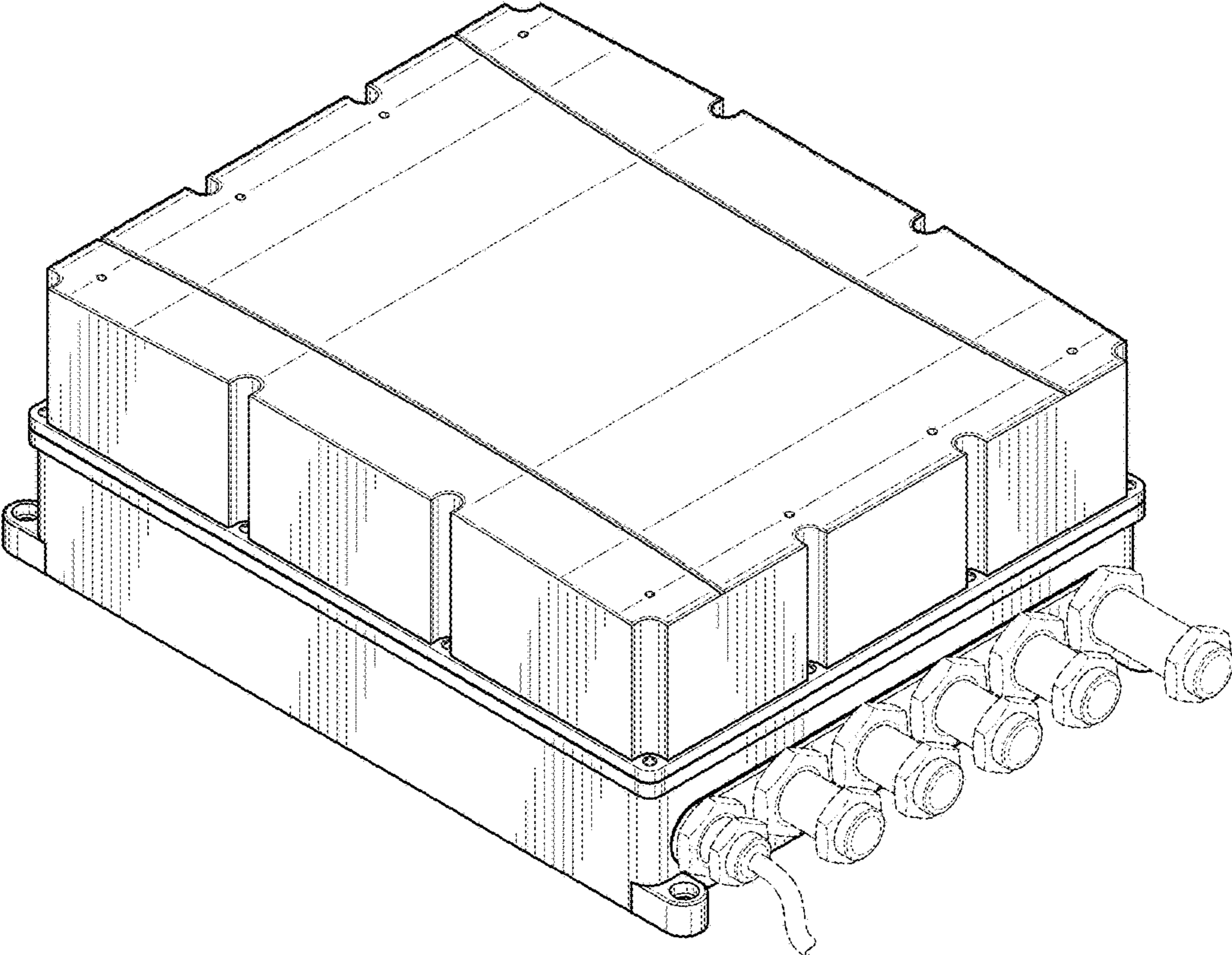


FIG. 1

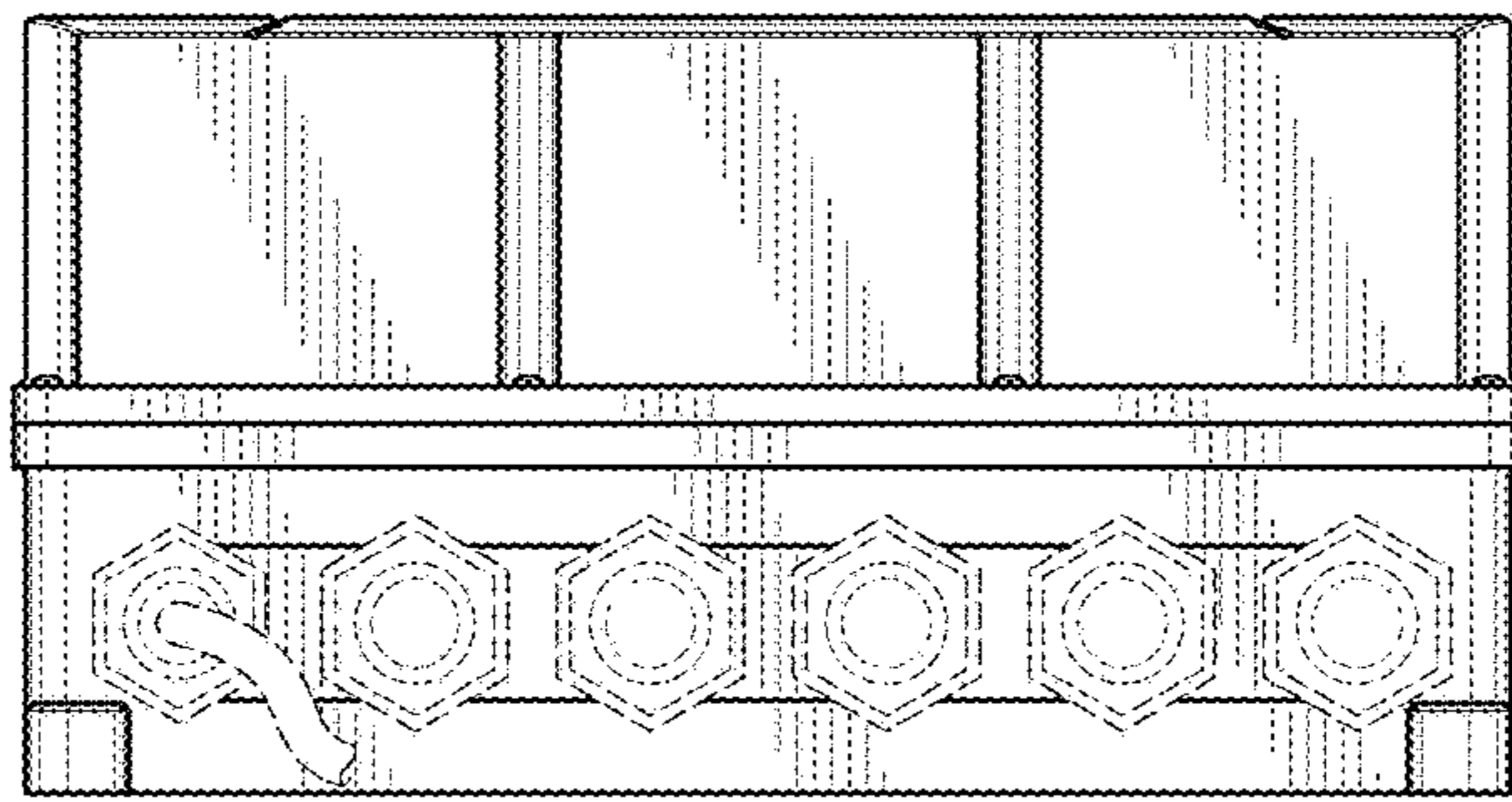


FIG. 2

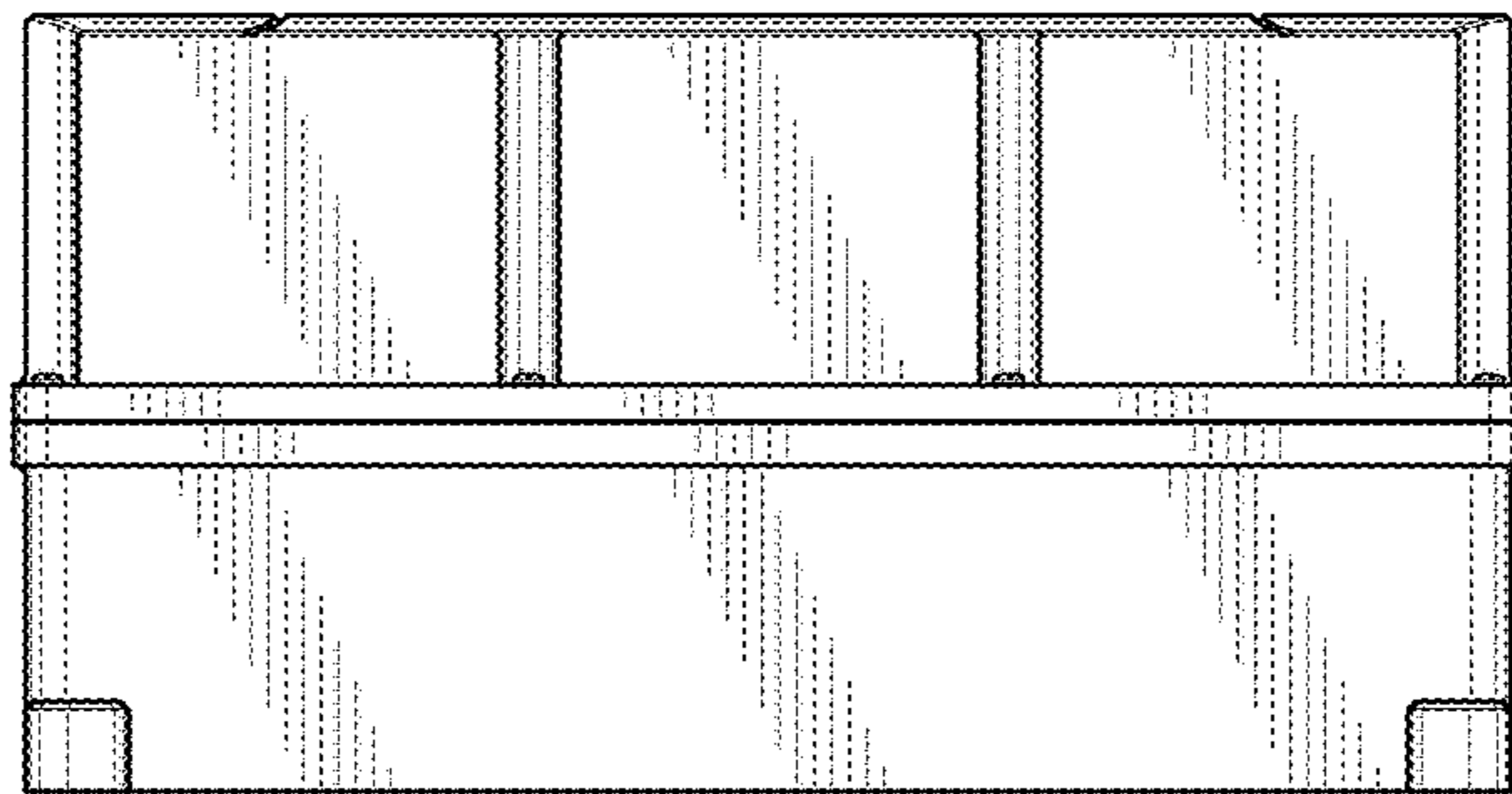


FIG. 3

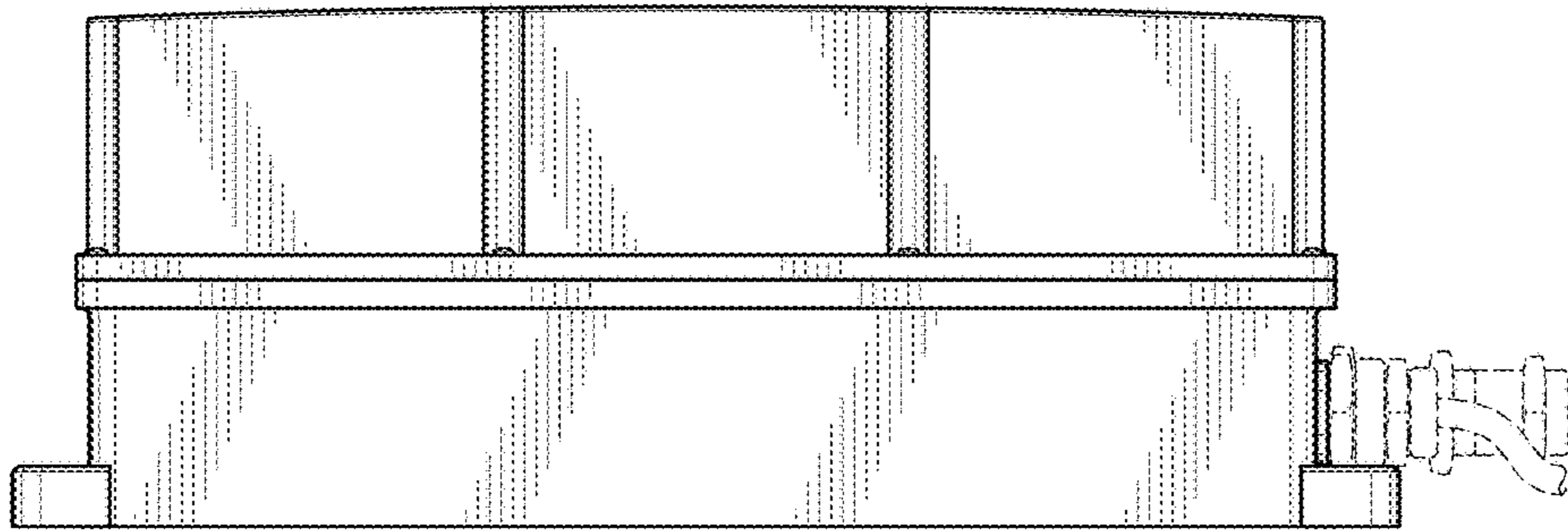


FIG. 4

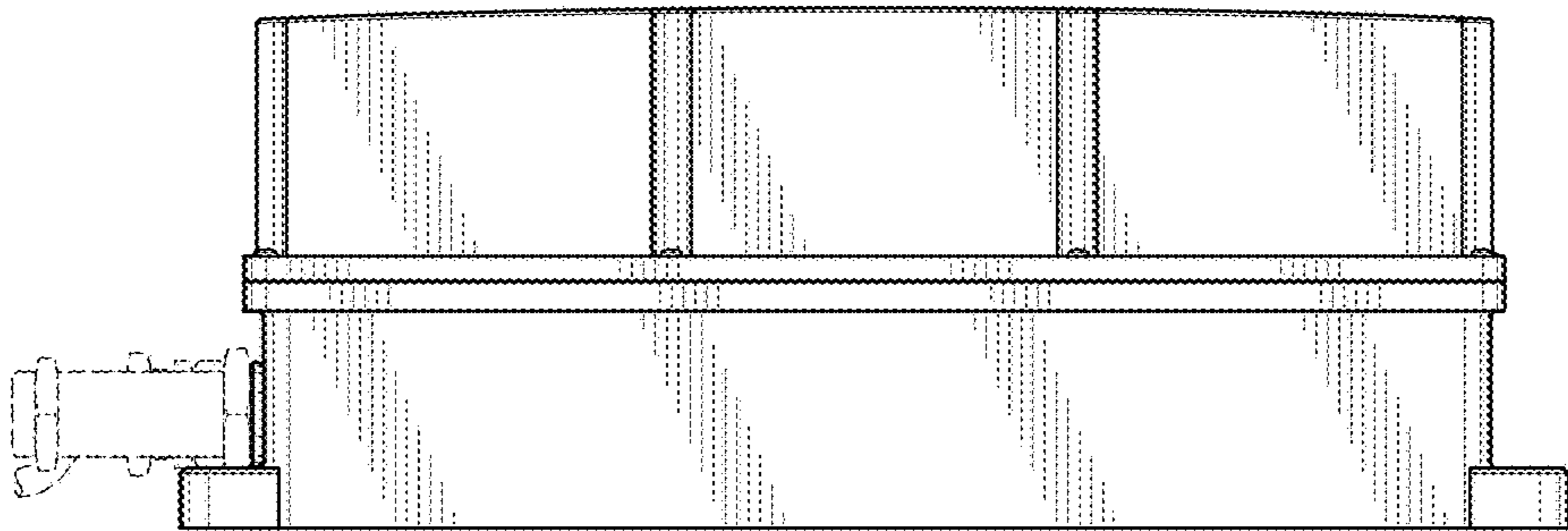


FIG. 5

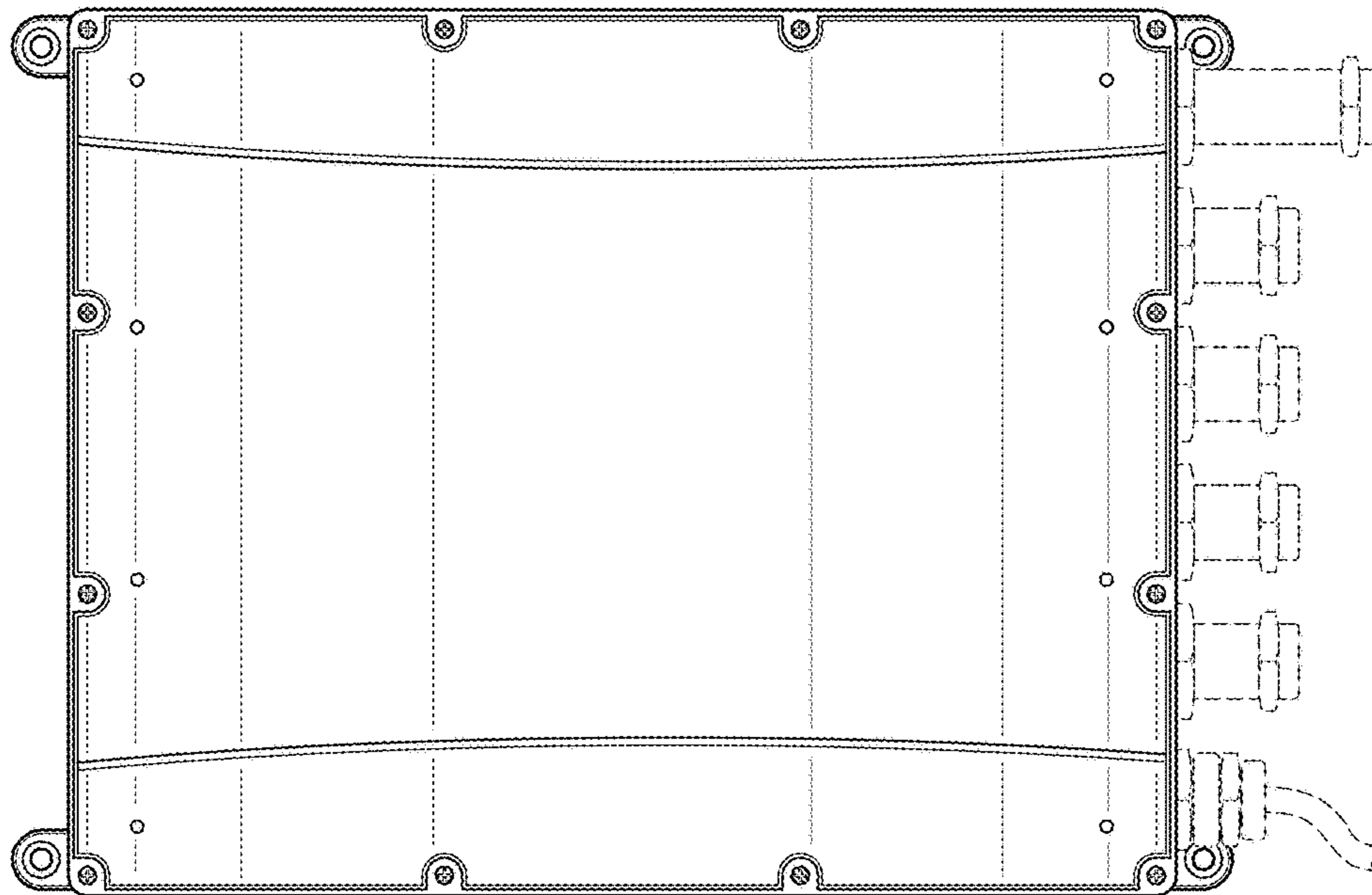


FIG. 6

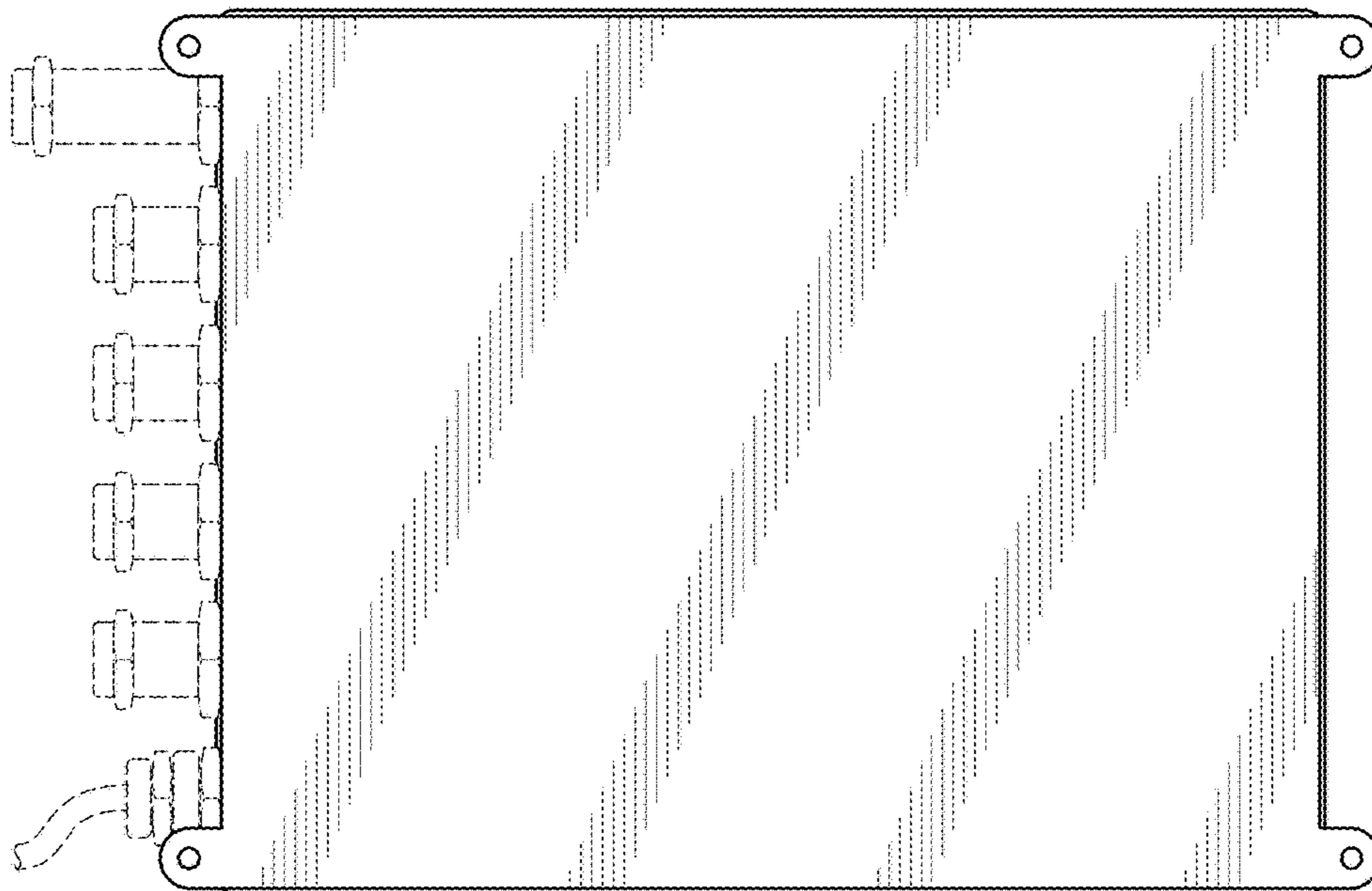


FIG. 7

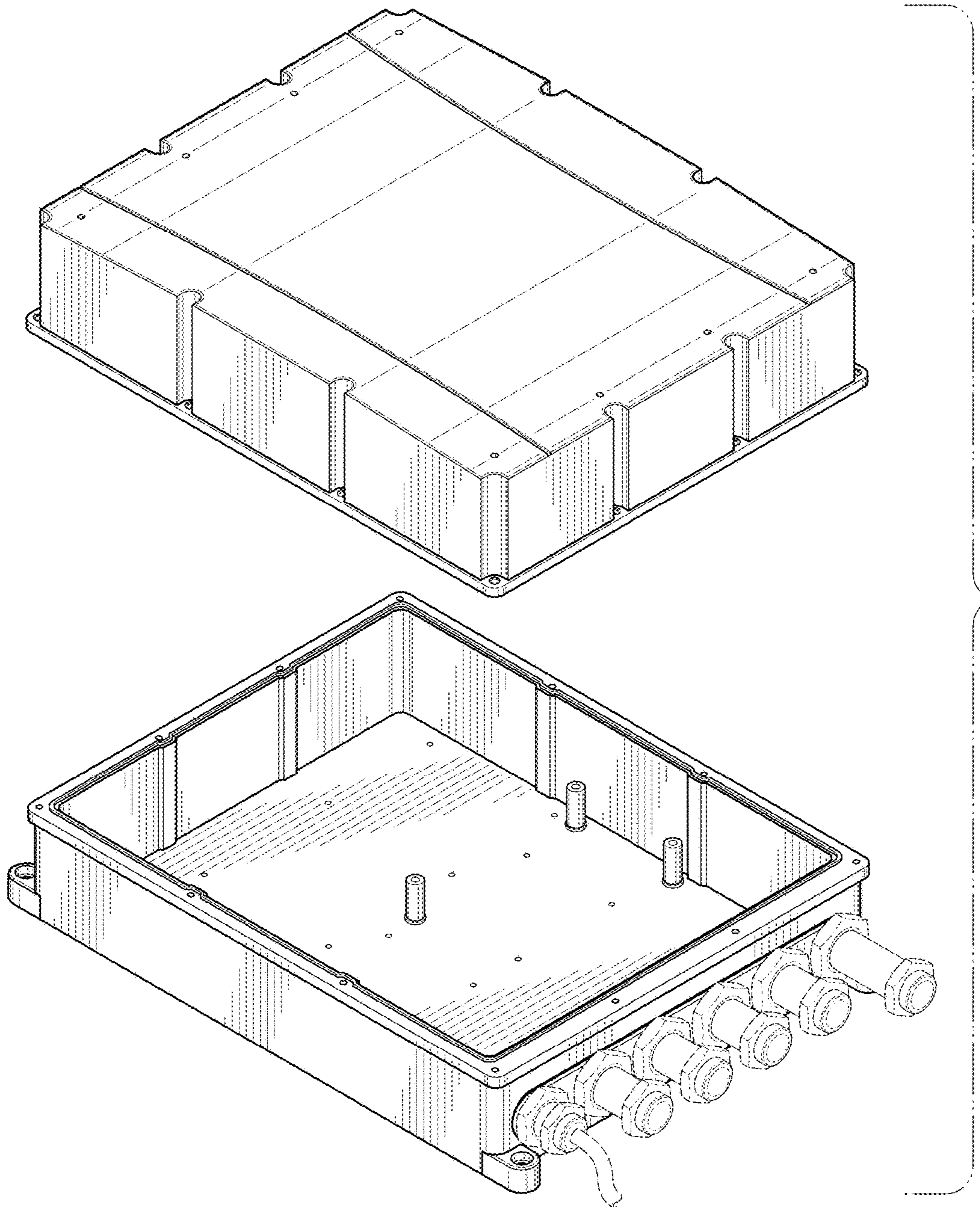


FIG. 8

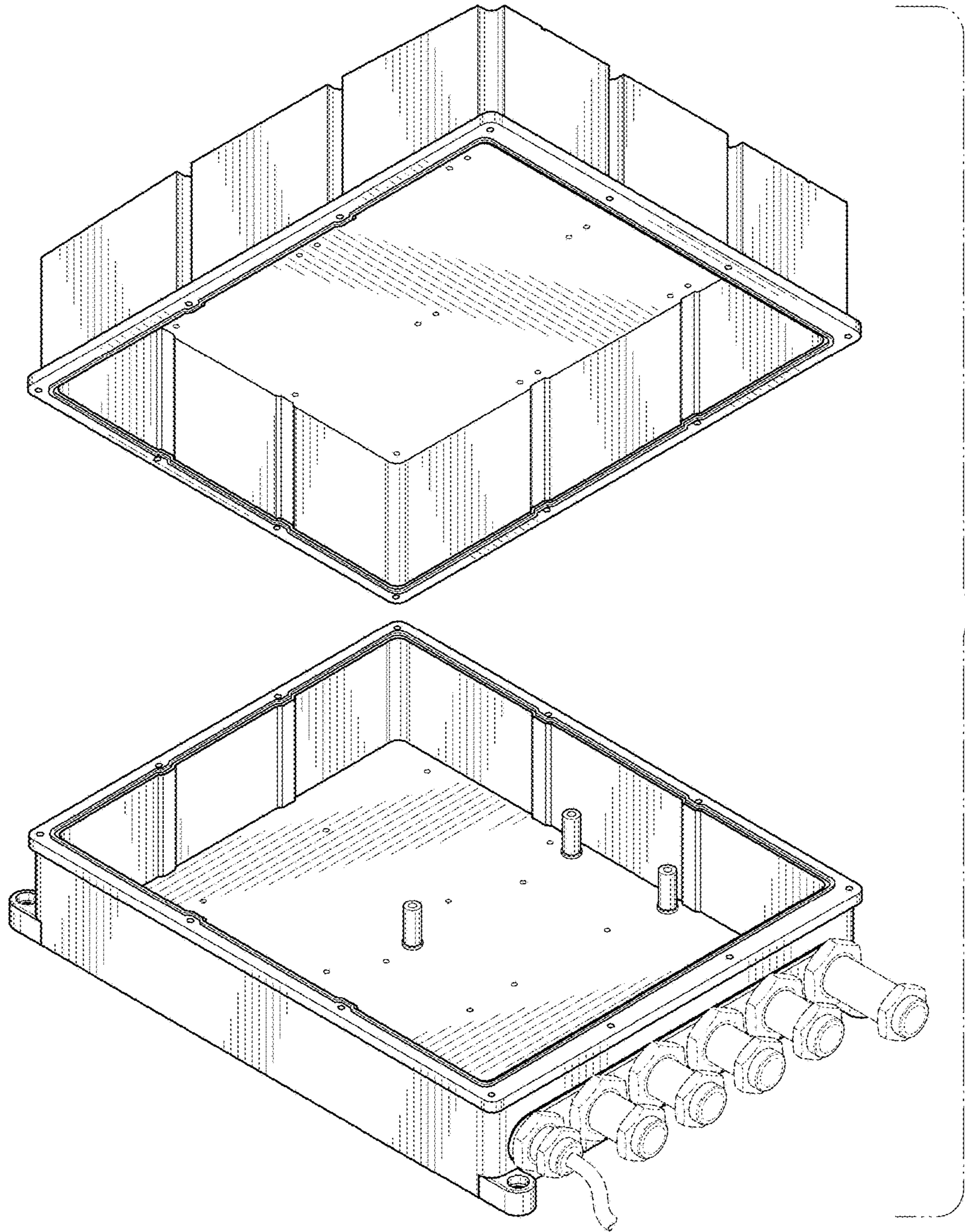


FIG. 9