



US00D853960S

(12) **United States Design Patent** (10) **Patent No.:** **US D853,960 S**  
**Lei et al.** (45) **Date of Patent:** **\*\* Jul. 16, 2019**

(54) **PORTABLE POWER SOURCE**

(56) **References Cited**

(71) Applicant: **SHENZHEN 7000MALL DESIGN & SERVICE CO., LTD**, Shenzhen, Guangdong (CN)

U.S. PATENT DOCUMENTS

(72) Inventors: **Canhuo Lei**, Guandong (CN); **Zhicheng Liu**, Guandong (CN); **Shan Song**, Guandong (CN); **Jiawei Xie**, Guandong (CN); **Bisheng Xiao**, Guandong (CN)

D426,515	S	*	6/2000	Buckle	.....	D13/103
D509,825	S	*	9/2005	Chen	.....	D14/300
D710,329	S	*	8/2014	Holzer	.....	D14/216
D742,823	S	*	11/2015	Nitz	.....	D13/103
D772,813	S	*	11/2016	Wahl	.....	D13/108
D777,100	S	*	1/2017	Price	.....	D13/103
D796,433	S	*	9/2017	Langhammer	.....	D13/108
D813,934	S	*	3/2018	Worthington	.....	D16/242
D814,436	S	*	4/2018	Wen	.....	D14/150
D823,241	S	*	7/2018	Zhang	.....	D13/103
10,021,486	B1	*	7/2018	Brennan	.....	H04R 5/02
2017/0187206	A1	*	6/2017	Lafountain	.....	H02J 7/0027
2017/0215004	A1	*	7/2017	Wengreen	.....	H04R 3/00

(73) Assignee: **SHENZHEN 7000MALL DESIGN & SERVICE CO., LTD**, Shenzhen (CN)

\* cited by examiner

(\*\*) Term: **15 Years**

*Primary Examiner* — Jennifer Rivard  
*Assistant Examiner* — Alison M Ofstun

(21) Appl. No.: **29/627,016**

(57) **CLAIM**

(22) Filed: **Nov. 21, 2017**

The ornamental design for a portable power source, as shown and described.

(30) **Foreign Application Priority Data**

**DESCRIPTION**

Aug. 18, 2017 (CN) ..... 2017 3 0382917

(51) **LOC (11) Cl.** ..... **13-02**

(52) **U.S. Cl.**  
USPC ..... **D13/108**

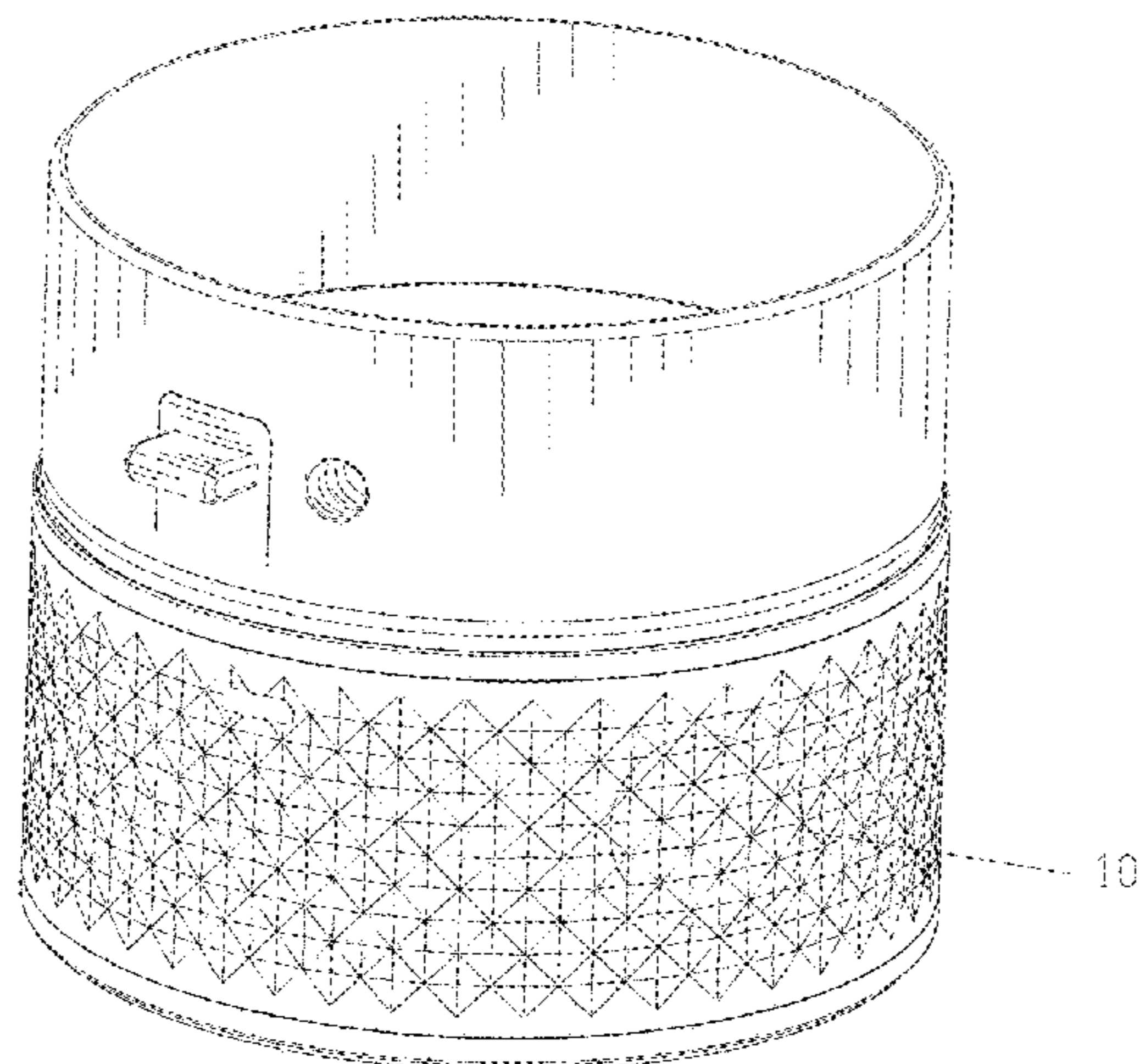
(58) **Field of Classification Search**  
USPC ..... D13/103, 107-108, 110; D3/218, 210;  
D14/356, 432; D28/73, 78, 82  
CPC ..... Y02E 60/12; Y02E 60/122; Y02E 60/124;  
Y02E 60/50; Y02E 60/10; H04R 1/10;  
H04R 1/28; Y02T 90/122; Y02T 90/128;  
Y02T 90/163; H02J 7/025; H02J 7/0042;  
H02J 7/0044; H02J 7/0045; H02J 7/0003;  
H01M 2/1022; H01M 2/1055; H01M  
10/44; H01M 10/46; H01M 10/425; B60L  
11/182

FIG. 1 is a front elevational view of a portable power source showing our new design;  
FIG. 2 is a rear elevational view thereof;  
FIG. 3 is a left side view thereof;  
FIG. 4 is a right side view thereof;  
FIG. 5 is a top plan view thereof;  
FIG. 6 is a bottom plan view thereof;  
FIG. 7 is a first perspective view thereof;  
FIG. 8 is a second perspective view thereof;  
FIG. 9 is a third perspective view thereof; and,  
FIG. 10 is an enlarged view of portion 10 in FIG. 8.

The evenly broken lines in the drawings illustrate portions of the article that form no part of the claim. The dot-dash lines shown from FIG. 8 and FIG. 10 represent the designation of enlargement views and form no part of the claimed design.

See application file for complete search history.

**1 Claim, 10 Drawing Sheets**



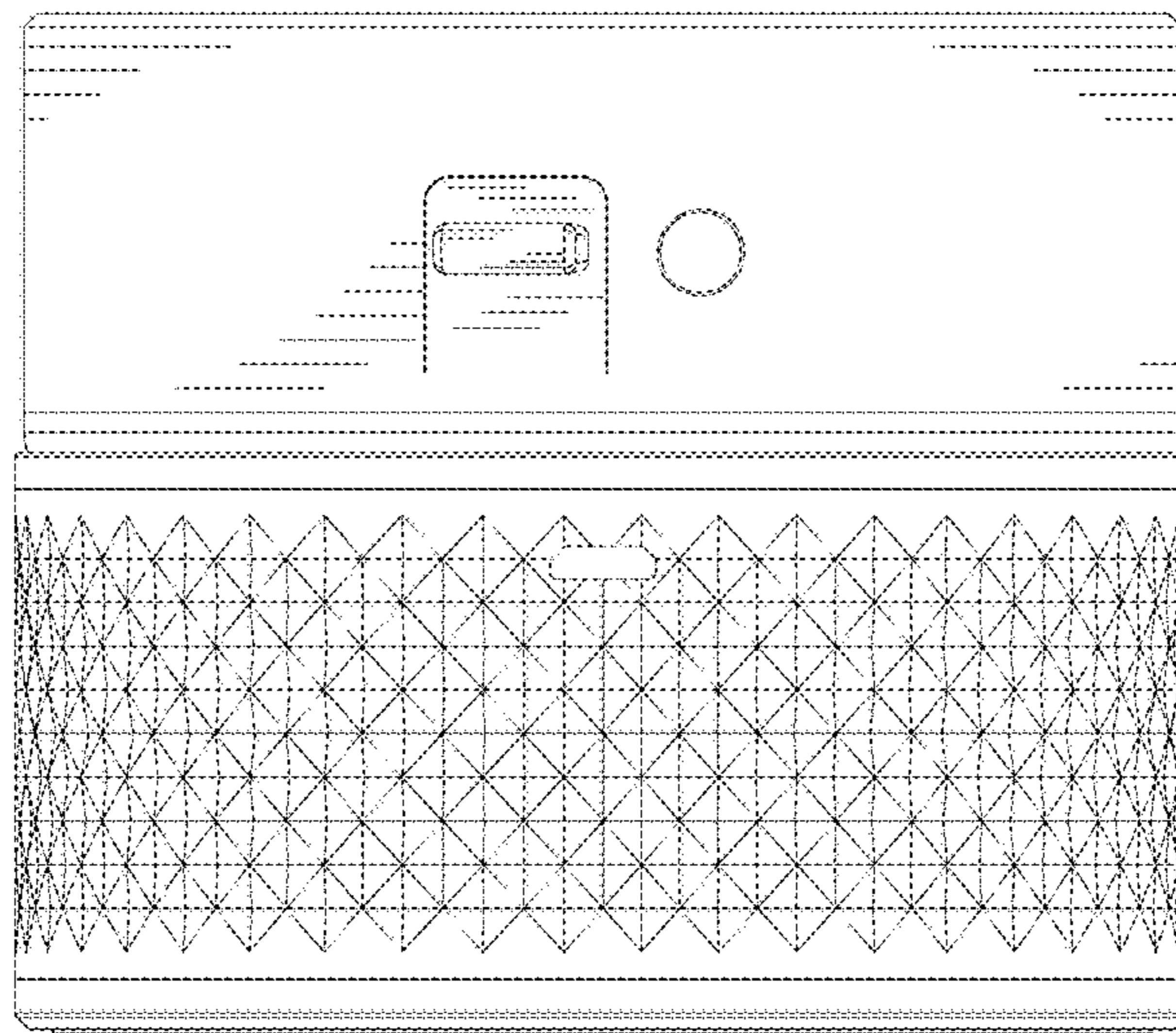


Fig. 1

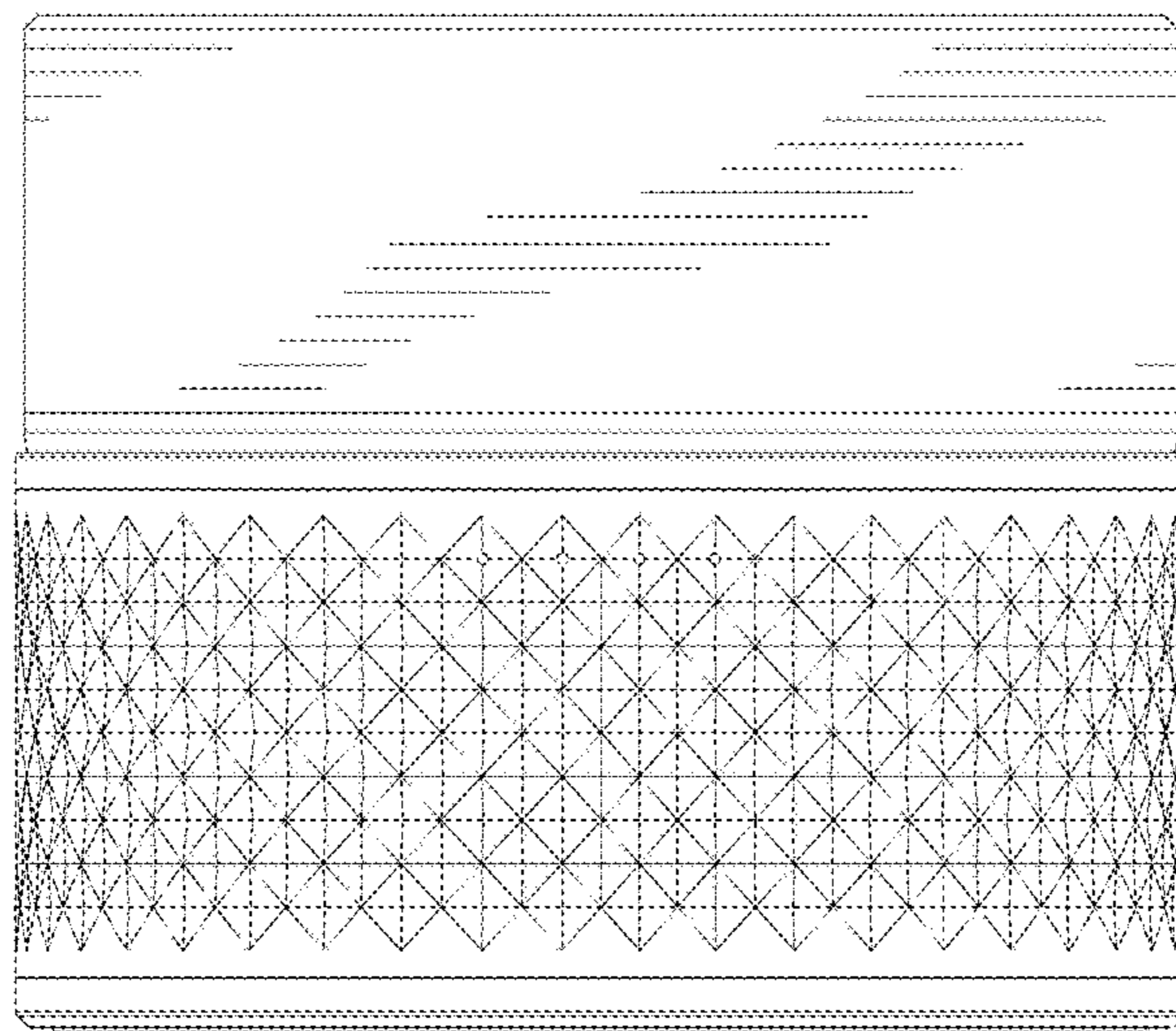


Fig. 2

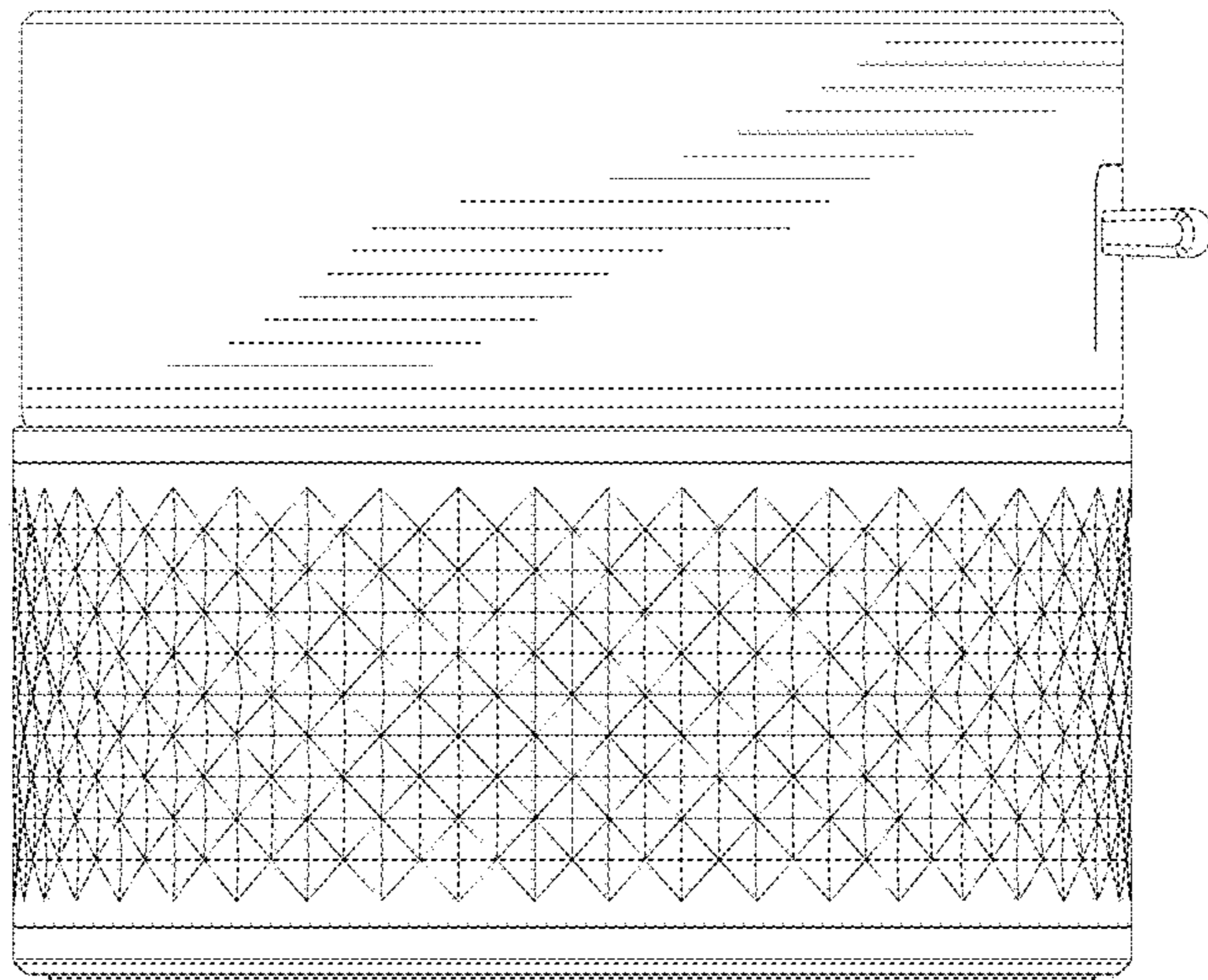


Fig. 3



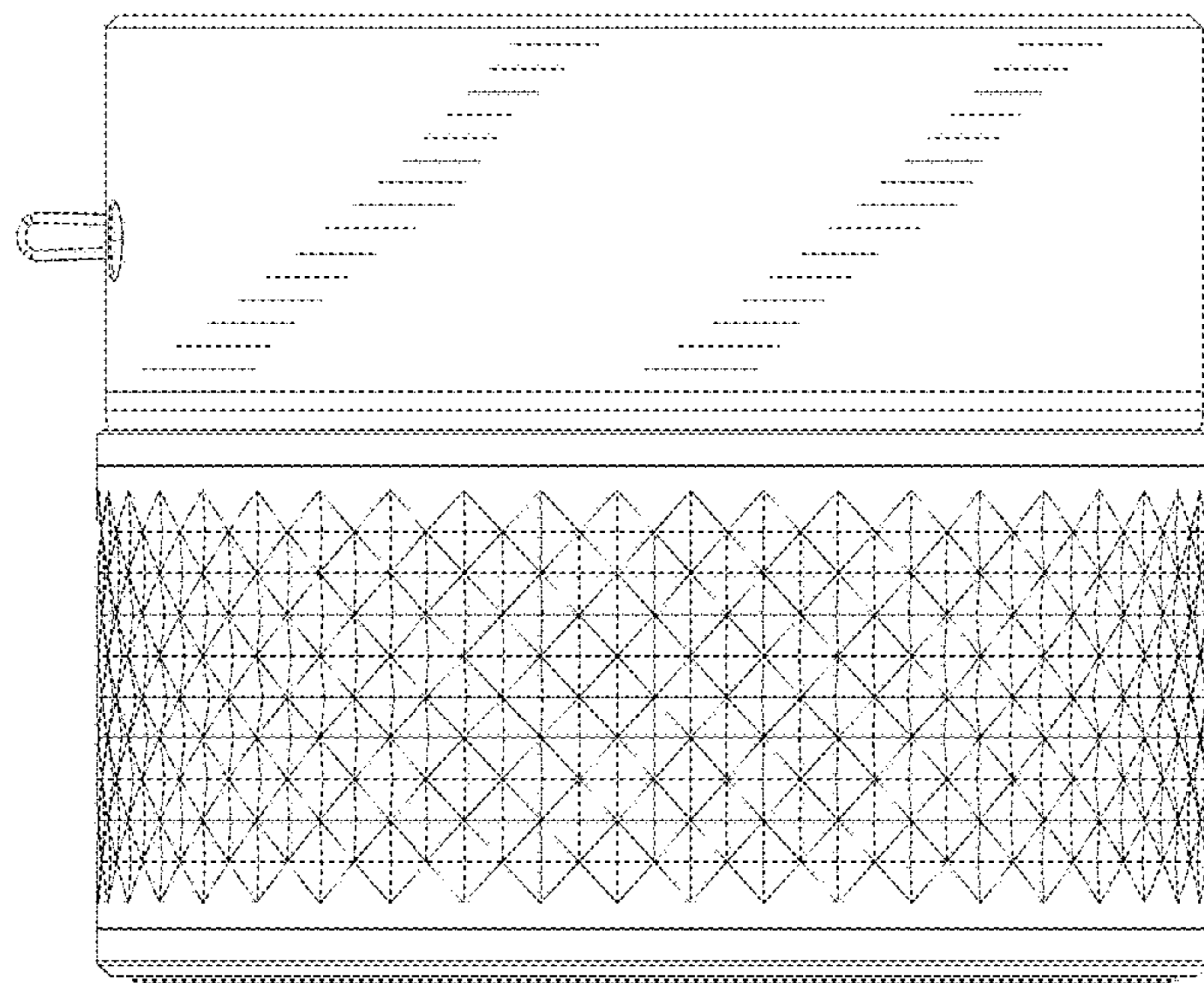


Fig. 4

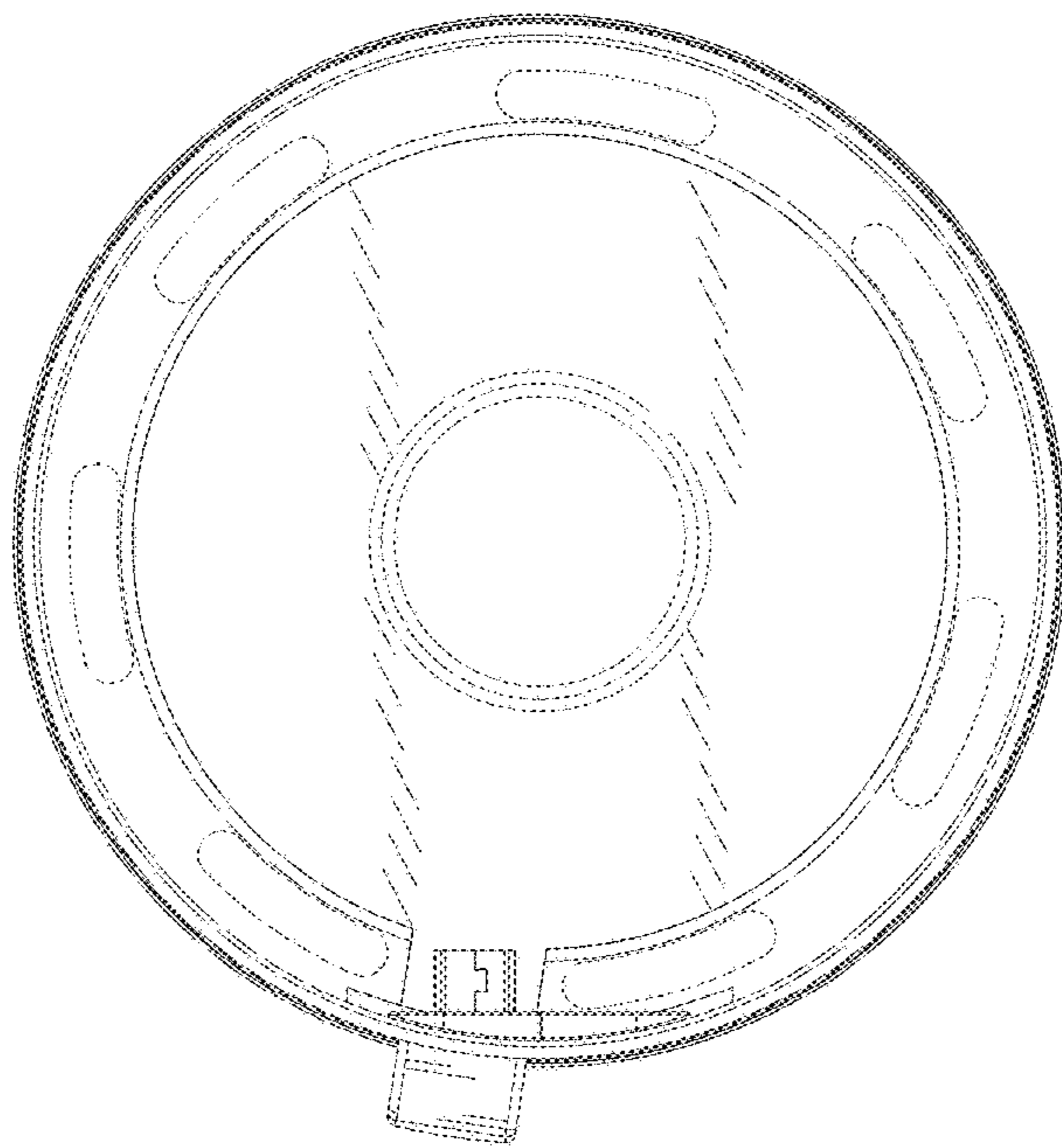


Fig. 5

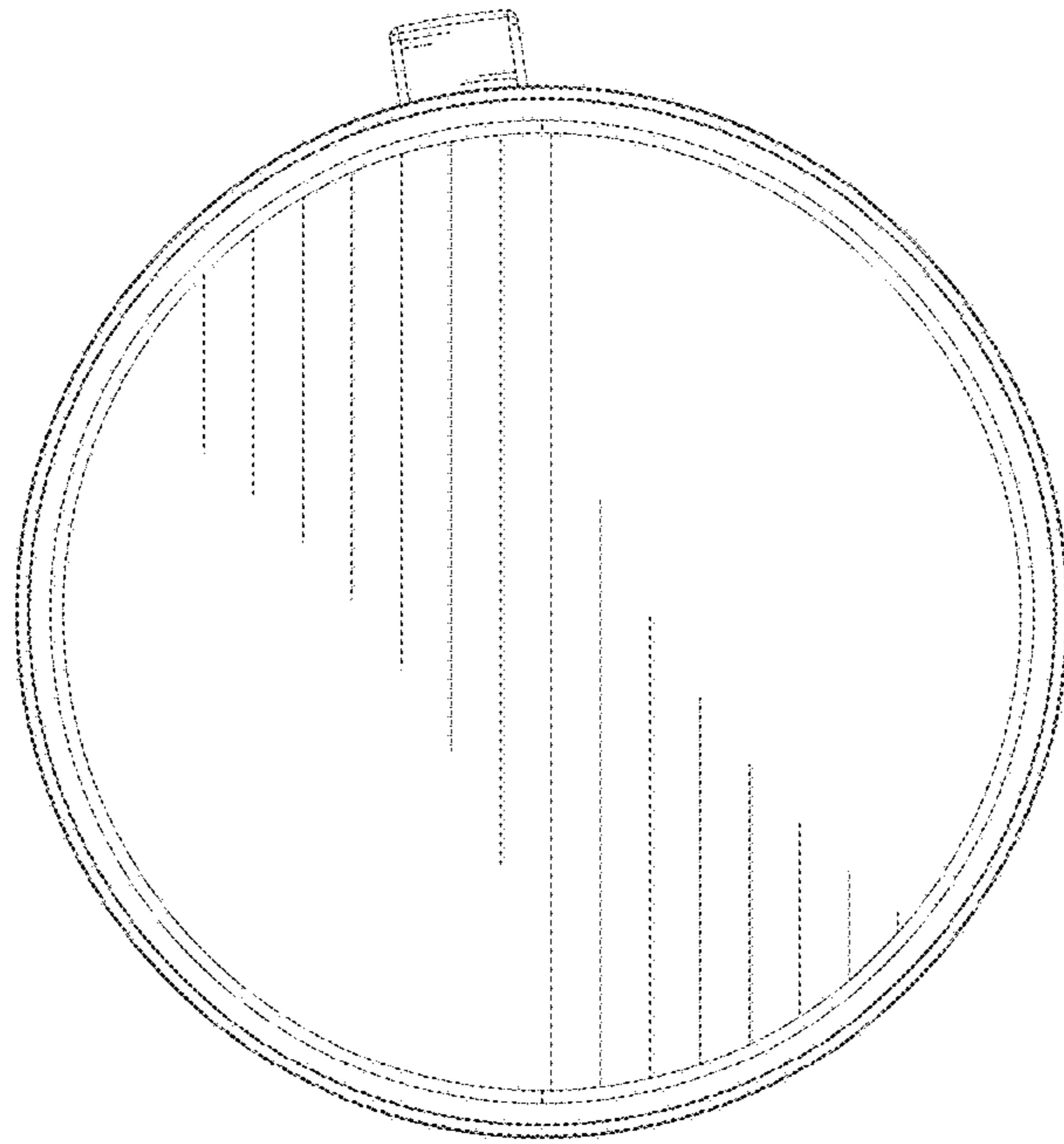


Fig. 6

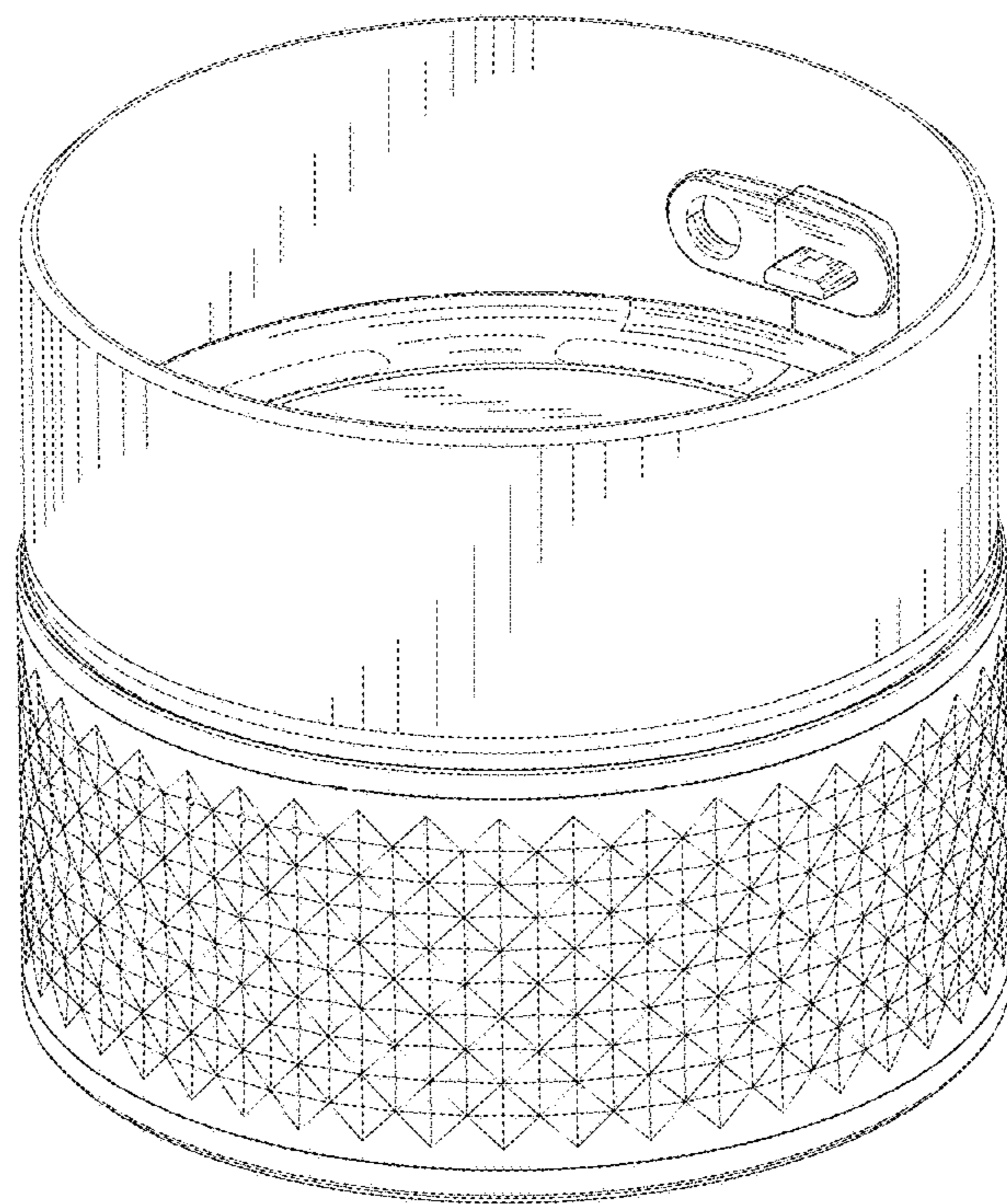


Fig. 7



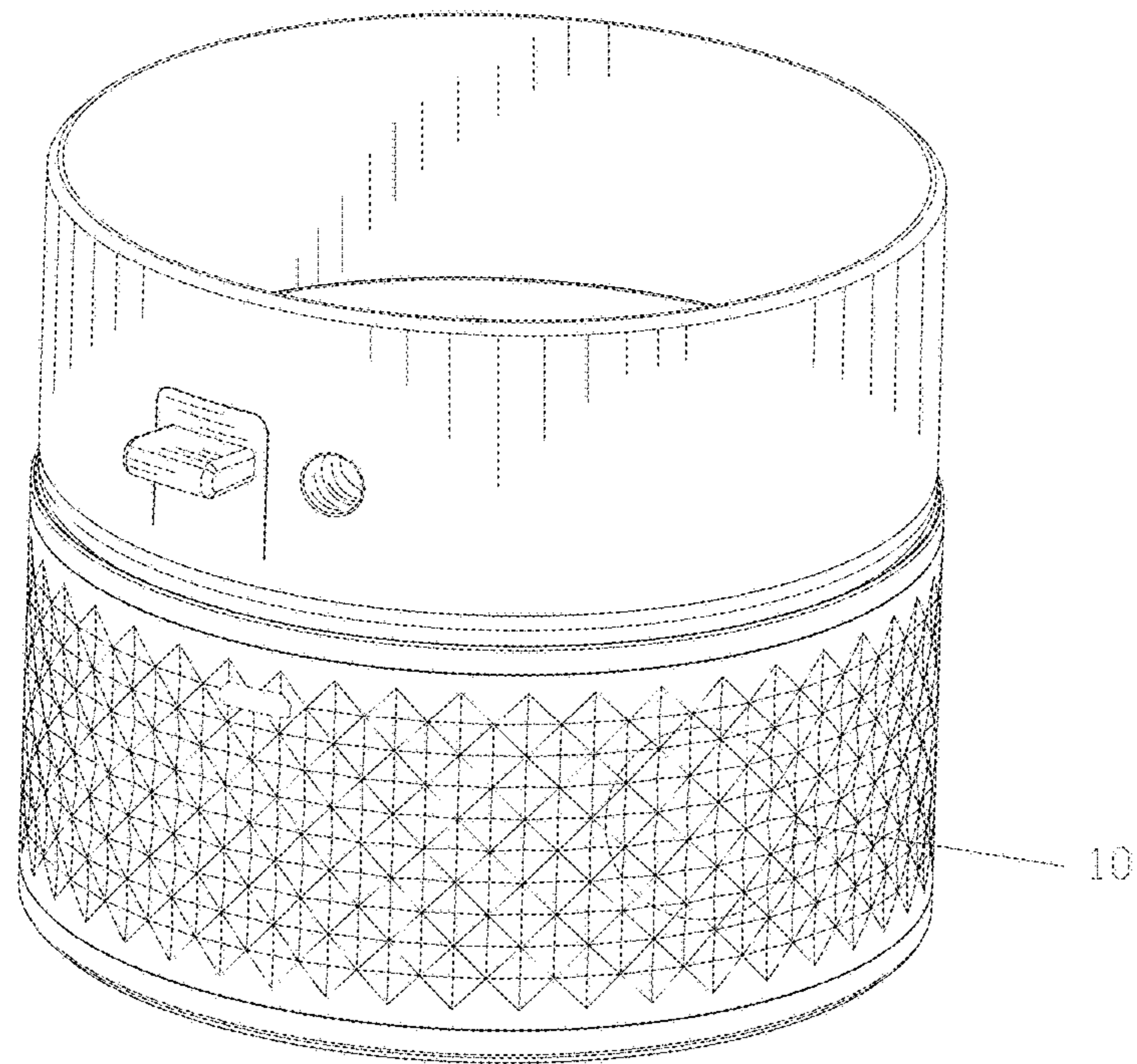


Fig. 8

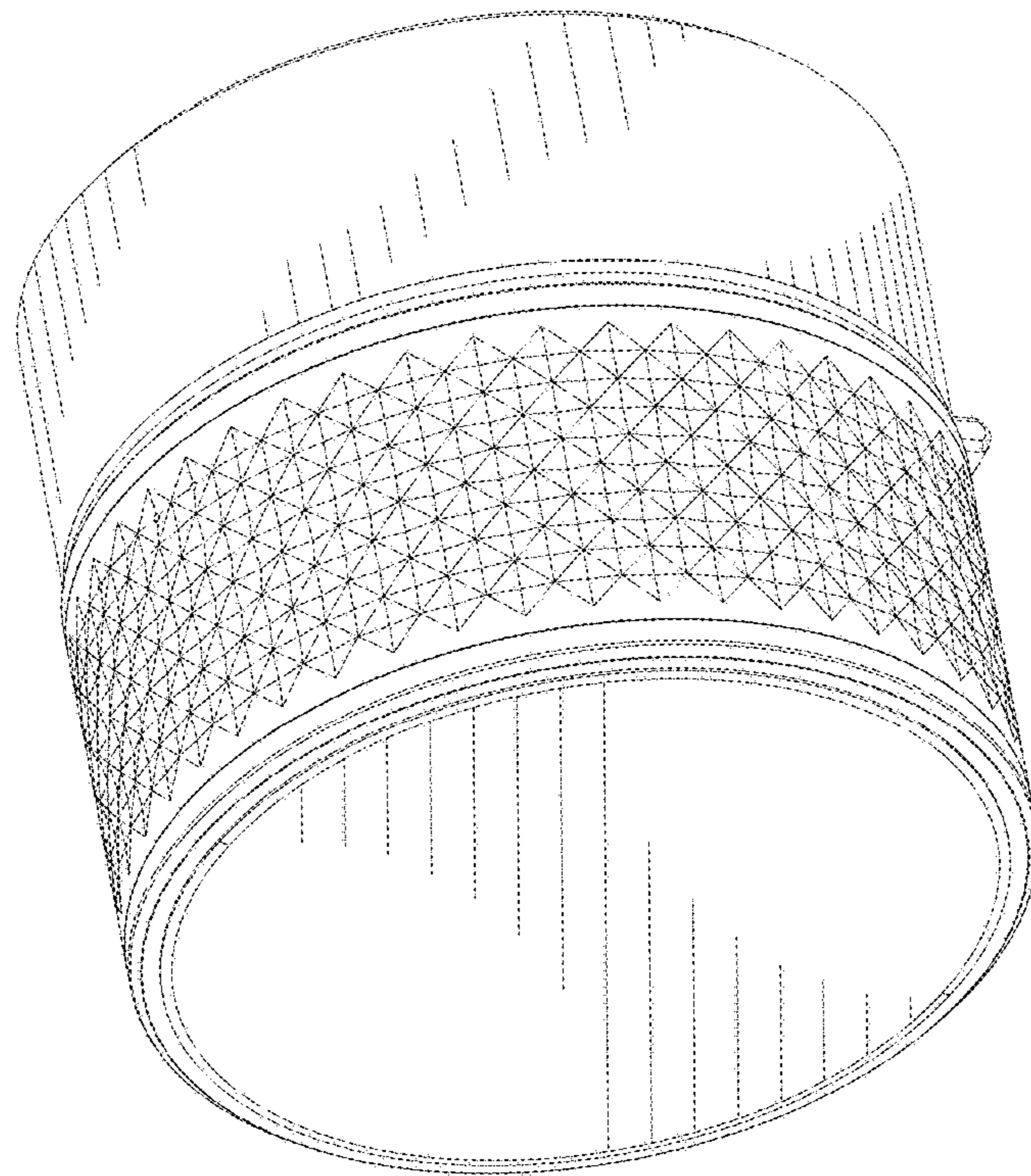


Fig. 9

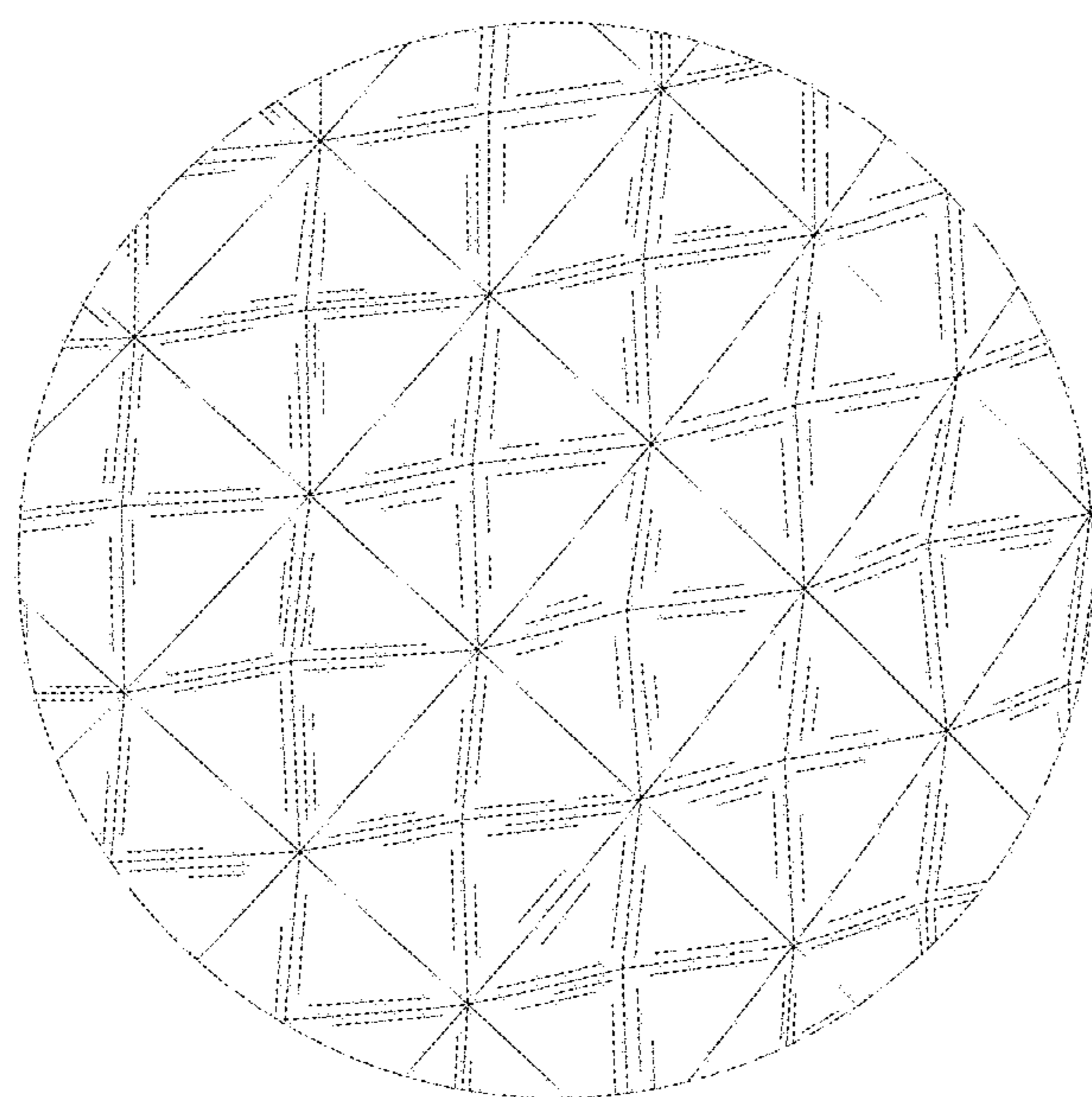


Fig. 10