



US00D853955S

(12) **United States Design Patent**  
**Oliver et al.**

(10) **Patent No.:** **US D853,955 S**  
(45) **Date of Patent:** **\*\* Jul. 16, 2019**

(54) **BATTERY CONTROL MODULE**

- (71) Applicant: **Accutronics Ltd**, Staffordshire (GB)
- (72) Inventors: **Neil Oliver**, Staffordshire (GB); **David Asplin**, Staffordshire (GB); **Steve Dodds**, Staffordshire (GB)
- (73) Assignee: **Accutronics Ltd.** (GB)
- (\*\*) Term: **15 Years**
- (21) Appl. No.: **29/617,780**
- (22) Filed: **Sep. 15, 2017**

**Related U.S. Application Data**

- (62) Division of application No. 29/561,226, filed on Apr. 14, 2016, now Pat. No. Des. 797,660, which is a division of application No. 29/485,393, filed on Mar. 18, 2014, now Pat. No. Des. 757,645.

**Foreign Application Priority Data**

- Sep. 18, 2013 (EP) ..... 002311787
- (51) **LOC (11) Cl.** ..... **13-03**
- (52) **U.S. Cl.**  
USPC ..... **D13/103**; D13/110
- (58) **Field of Classification Search**  
USPC ..... D13/162-168, 184, 107, 103, 106, 110, D13/120, 159, 116, 119, 162.1; 429/96, 429/97, 99, 100, 105, 163, 82, 120, 176; 320/103, 107, 110, 120, 125, 113.1; 361/622  
CPC ..... H01M 2/10; H01M 10/46; H01M 10/44; H01M 10/6556; H01M 10/50; H02B 1/48; H02B 1/26  
See application file for complete search history.

(56) **References Cited**

U.S. PATENT DOCUMENTS

3,105,909 A	10/1963	Jones	
D206,804 S	1/1967	Cunitz	
D210,596 S *	3/1968	Becker et al.	D13/110
3,579,075 A	5/1971	Floyd	
D225,013 S *	10/1972	Stewart	D10/50
3,696,283 A	10/1972	Ackley, III	
D225,109 S	11/1972	Flider	
3,711,806 A *	1/1973	Flentge	H01F 27/266 336/107
D236,493 S	8/1975	Kaye	
D246,709 S *	12/1977	Pomper	D13/110
D252,568 S *	8/1979	Comstock	D13/126
D260,513 S *	9/1981	Comstock	D13/126
4,403,182 A	9/1983	Yeh	
D276,495 S *	11/1984	Sylvia	D13/110
D278,703 S	5/1985	Chiodo et al.	
D286,770 S *	11/1986	Melcher	D13/126
D305,115 S *	12/1989	Kondo	D13/110

(Continued)

*Primary Examiner* — Paula Allen Greene

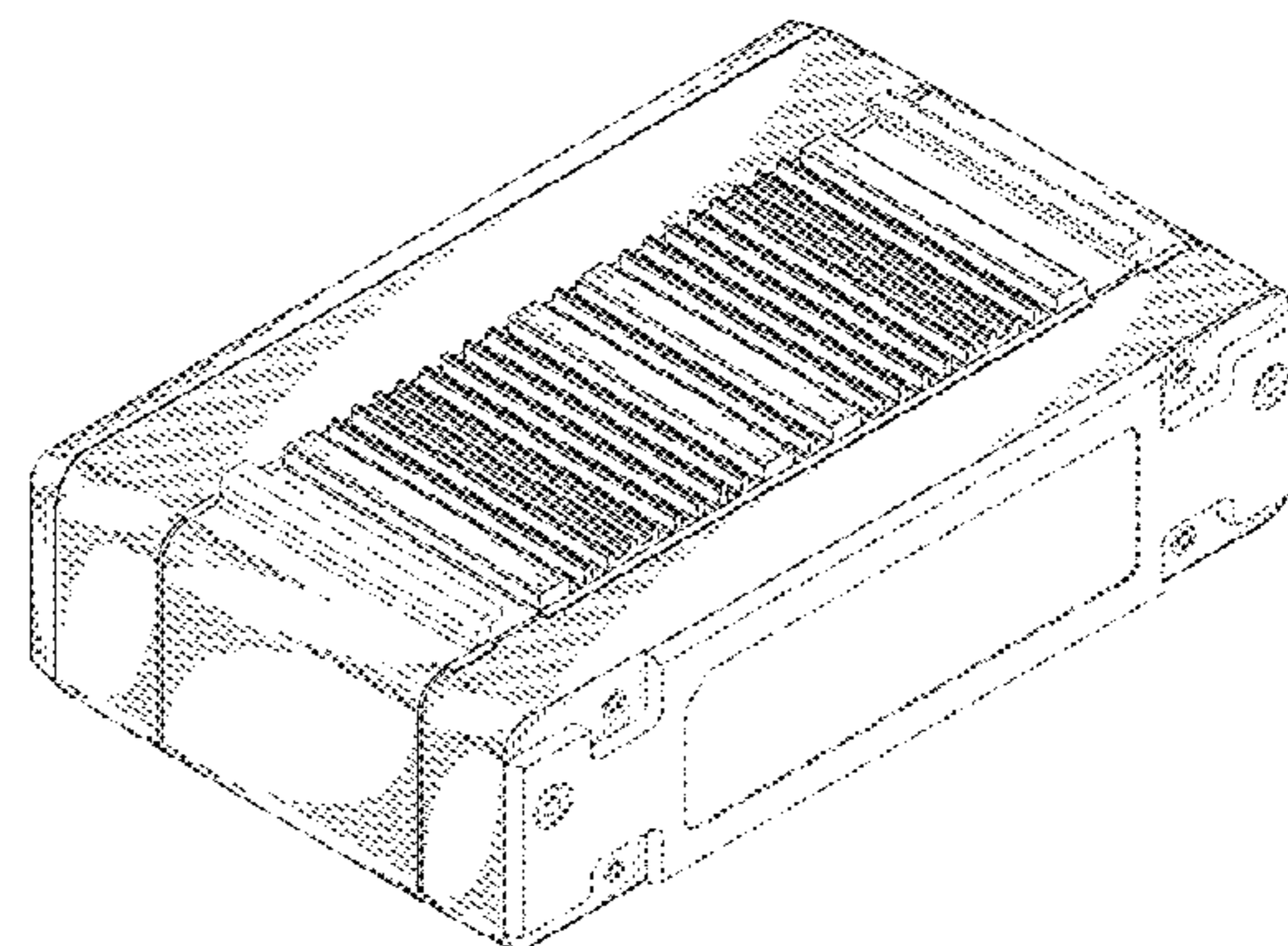
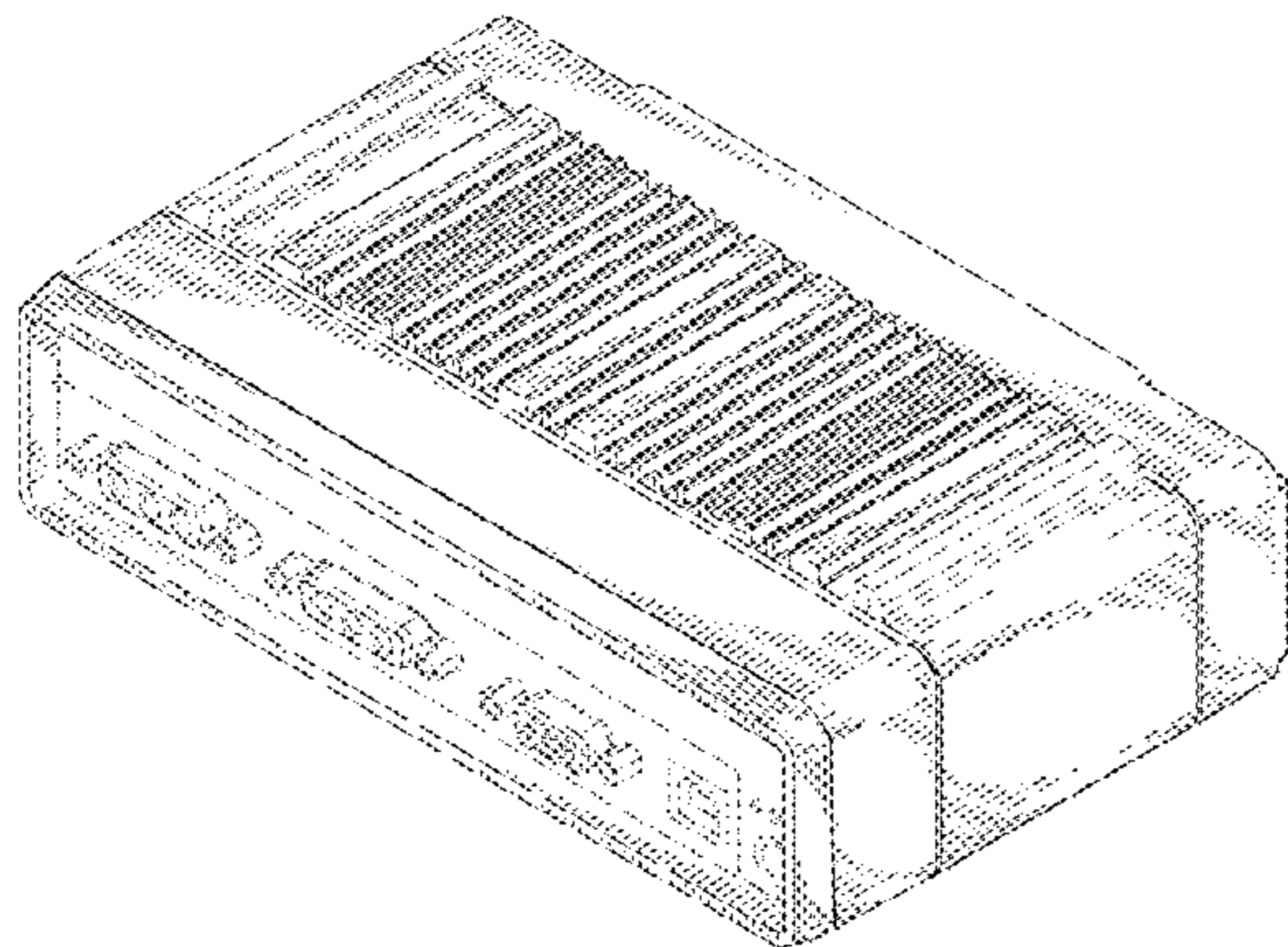
(57) **CLAIM**

An ornamental design for the battery control module, as shown and described.

**DESCRIPTION**

FIG. 1 is a first perspective view of an embodiment of our new battery control module;  
 FIG. 2 is a second perspective view of the design of FIG. 1;  
 FIG. 3 is a front view of the design of FIG. 1;  
 FIG. 4 is a top view of the design of FIG. 1;  
 FIG. 5 is a bottom view of the design of FIG. 1;  
 FIG. 6 is a left hand side view of the design of FIG. 1; and,  
 FIG. 7 is a right hand side view of the design of FIG. 1.  
 The broken lines in the above described FIGS. 1- 7 are for illustrative purposes only and form no part of the claimed design.

**1 Claim, 7 Drawing Sheets**



(56)

References Cited

U.S. PATENT DOCUMENTS

5,039,929 A 8/1991 Veistroffer et al.  
D328,057 S \* 7/1992 Prager ..... D13/110  
D336,631 S 6/1993 Ivester  
5,221,210 A 6/1993 Bormuth et al.  
D338,653 S \* 8/1993 Morgan ..... D13/110  
D351,134 S \* 10/1994 Hunziker ..... D13/110  
D366,631 S 1/1996 Weder et al.  
D377,790 S 2/1997 Ober et al.  
D377,986 S 2/1997 Pollard  
D388,764 S 1/1998 Bartling et al.  
D409,562 S 5/1999 Johansson et al.  
D414,752 S \* 10/1999 Rooyakkers ..... D13/184  
D429,716 S \* 8/2000 Horikoshi ..... D14/188  
D478,061 S \* 8/2003 Abe ..... D14/188  
D479,219 S \* 9/2003 Abe ..... D14/188  
D494,940 S \* 8/2004 Fiocchi ..... D13/184  
D519,919 S 5/2006 Yokota  
D555,587 S 11/2007 Yamamoto et al.  
D592,134 S \* 5/2009 Brockington ..... D13/119  
D610,125 S \* 2/2010 Ichikawa ..... D14/188  
D610,539 S 2/2010 Dahan et al.  
D614,124 S 4/2010 Mistyurik  
D620,886 S \* 8/2010 Flattinger ..... D13/110  
D621,350 S \* 8/2010 Huang ..... D13/110  
D621,351 S \* 8/2010 Huang ..... D13/110  
D623,125 S 9/2010 Kawabata et al.  
D643,811 S 8/2011 Qualls et al.  
8,054,041 B2 11/2011 Kim et al.  
D650,326 S \* 12/2011 Yen ..... D13/107  
D651,562 S \* 1/2012 Takeno ..... D13/107  
D651,564 S \* 1/2012 Workman ..... D13/108  
D654,019 S 2/2012 Ikegame  
D659,088 S \* 5/2012 Steinberg ..... D13/106  
D660,799 S \* 5/2012 Grunwald ..... D13/123  
D661,254 S \* 6/2012 Grunwald ..... D13/123

D664,499 S \* 7/2012 Workman ..... D13/107  
D666,150 S \* 8/2012 Grunwald ..... D13/123  
8,312,937 B2 11/2012 Turner et al.  
D674,333 S 1/2013 Lemelman et al.  
D675,622 S 2/2013 Petrick et al.  
D680,950 S 4/2013 Nam et al.  
D693,292 S 11/2013 Salvi et al.  
D721,647 S 1/2015 DeKeuster  
D727,254 S 4/2015 Kinoshita  
D731,412 S 6/2015 Gao et al.  
D731,415 S 6/2015 Arakelian et al.  
D733,043 S 6/2015 Hasbrook et al.  
D733,045 S 6/2015 Venida et al.  
D742,307 S \* 11/2015 DeKeuster ..... D13/103  
D757,645 S \* 5/2016 Oliver ..... D13/103  
D758,960 S \* 6/2016 Johansson ..... D13/103  
D789,931 S \* 6/2017 Drew ..... D14/357  
D790,453 S \* 6/2017 Tinius ..... D13/103  
D797,660 S \* 9/2017 Oliver ..... D13/103  
D798,266 S \* 9/2017 Goltche ..... D14/188  
D803,777 S \* 11/2017 Burchard ..... D13/103  
D820,200 S \* 6/2018 Takahashi ..... D13/103  
D826,150 S \* 8/2018 Cayon ..... D13/103  
D826,848 S \* 8/2018 Toshida ..... D13/103  
D829,672 S \* 10/2018 Kato ..... D13/162  
10,181,874 B2 \* 1/2019 Bund ..... H04B 3/54  
2001/0007728 A1 7/2001 Ogata et al.  
2006/0093899 A1 5/2006 Jeon et al.  
2012/0194132 A1 8/2012 Ikegame  
2012/0214038 A1 8/2012 Kim et al.  
2013/0183573 A1 \* 7/2013 Yoshioka ..... H01M 2/1077  
429/159  
2015/0214586 A1 7/2015 Yeow et al.  
2015/0264740 A1 \* 9/2015 Hiramatsu ..... H04B 5/02  
455/41.1  
2015/0364740 A1 12/2015 DeArroyabe et al.  
2016/0248072 A1 8/2016 Jang et al.  
2017/0125752 A1 \* 5/2017 Kim ..... H01M 2/1077

\* cited by examiner

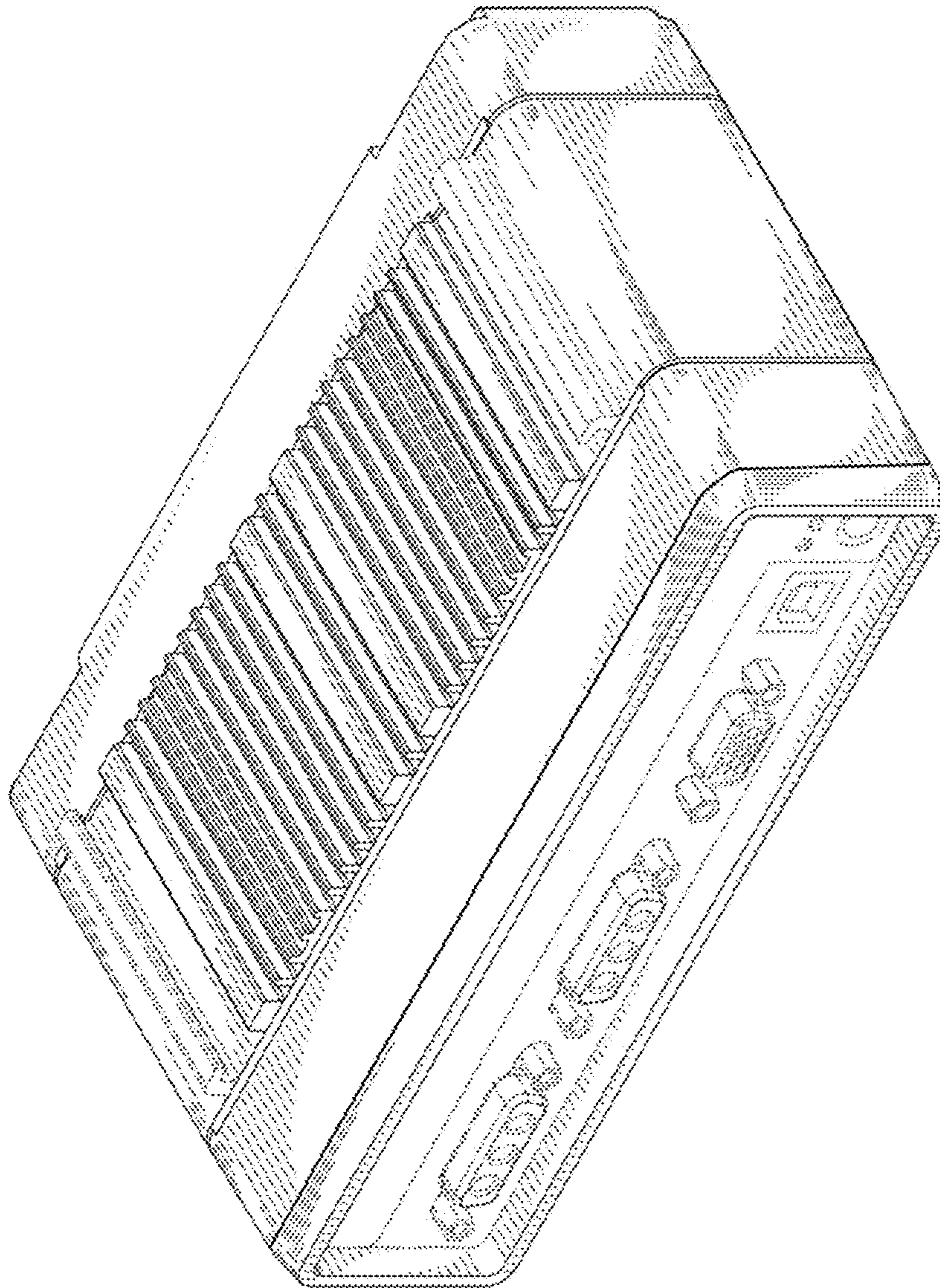


FIG. 1

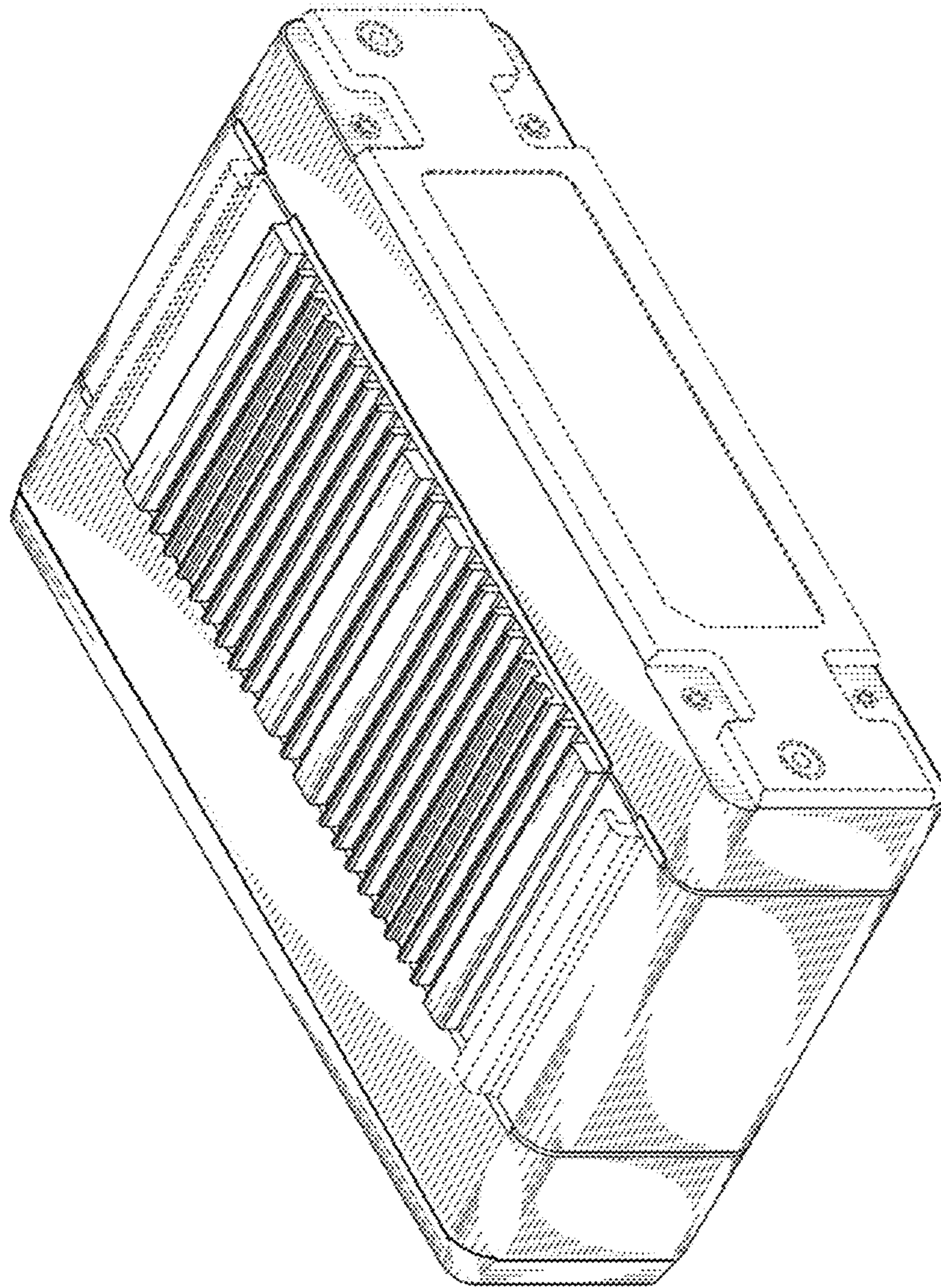


FIG. 2

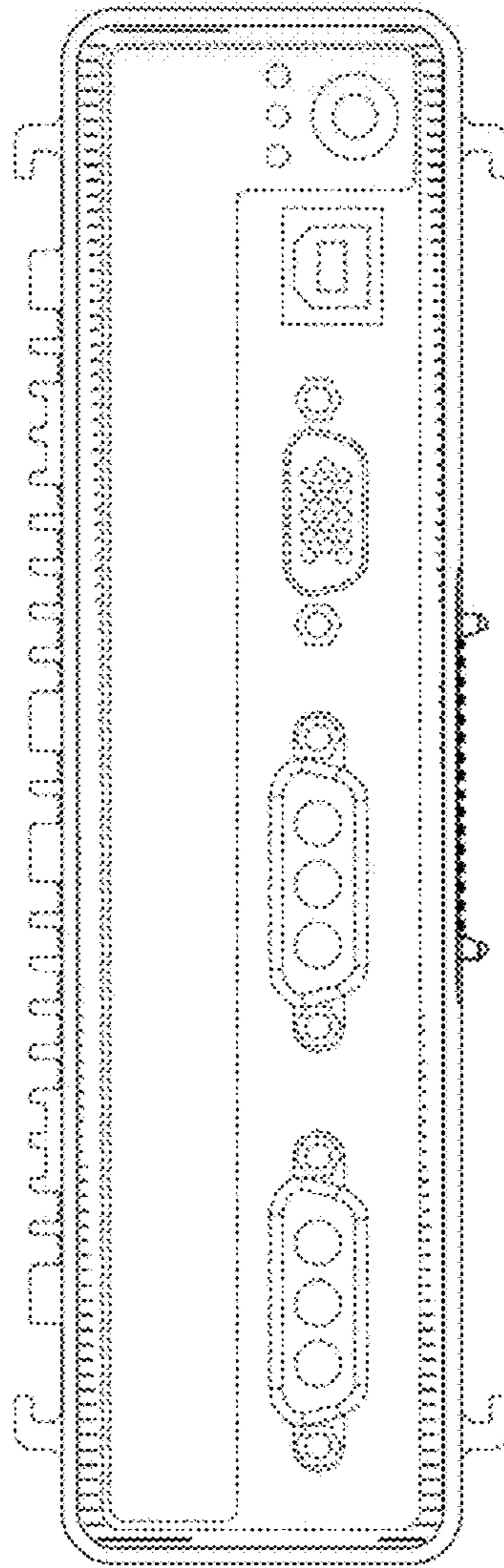


FIG. 3

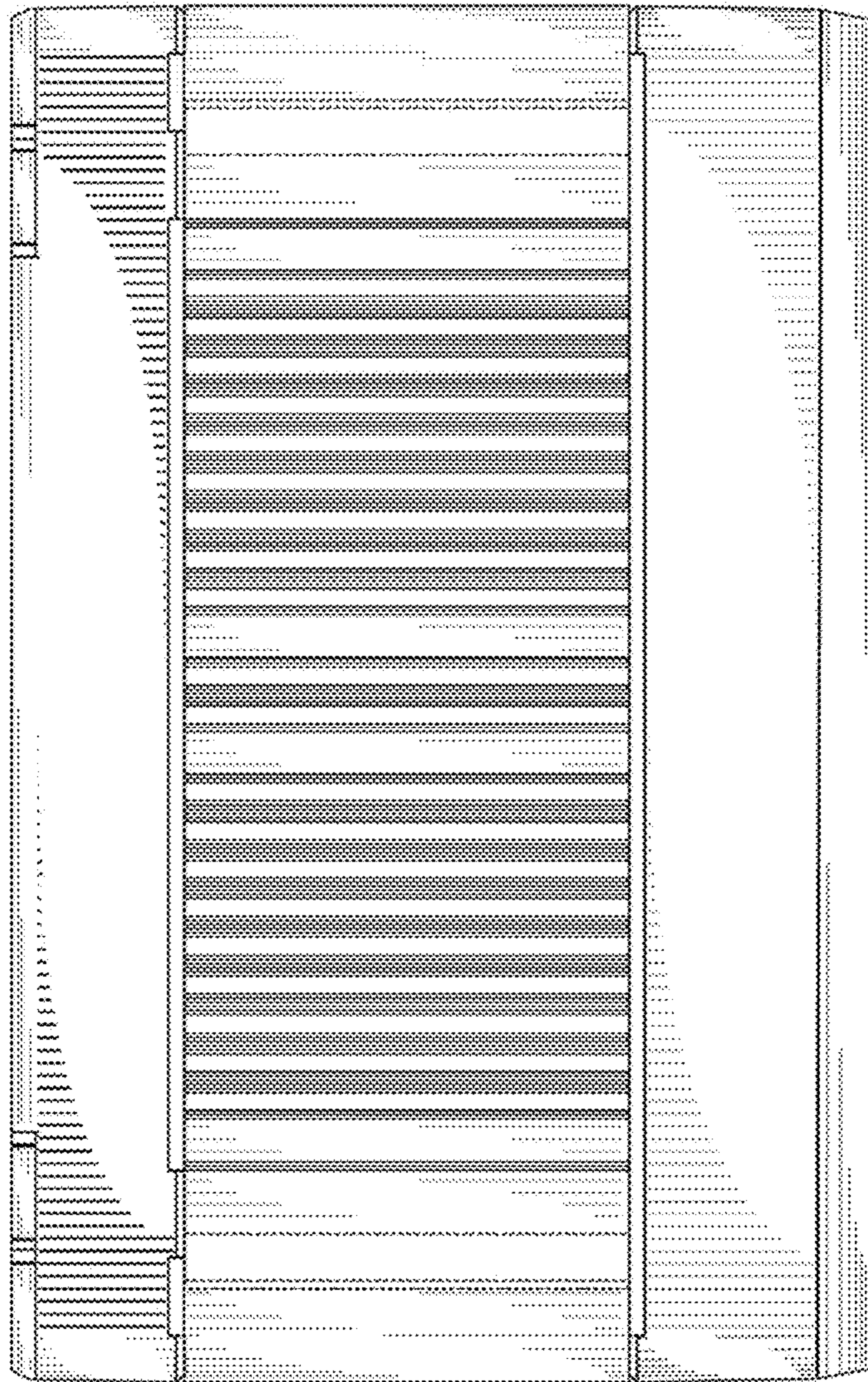


FIG. 4

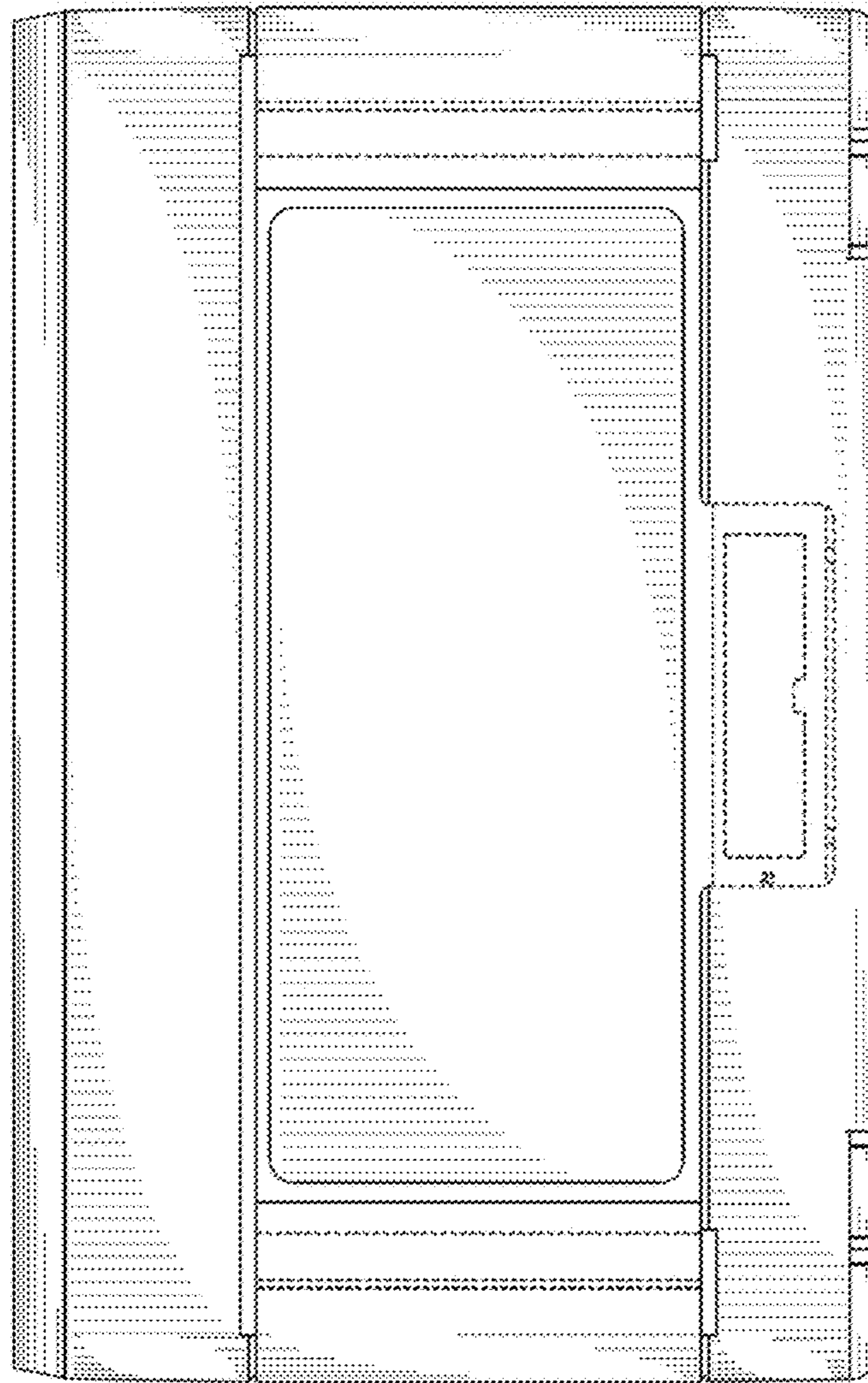


FIG. 5

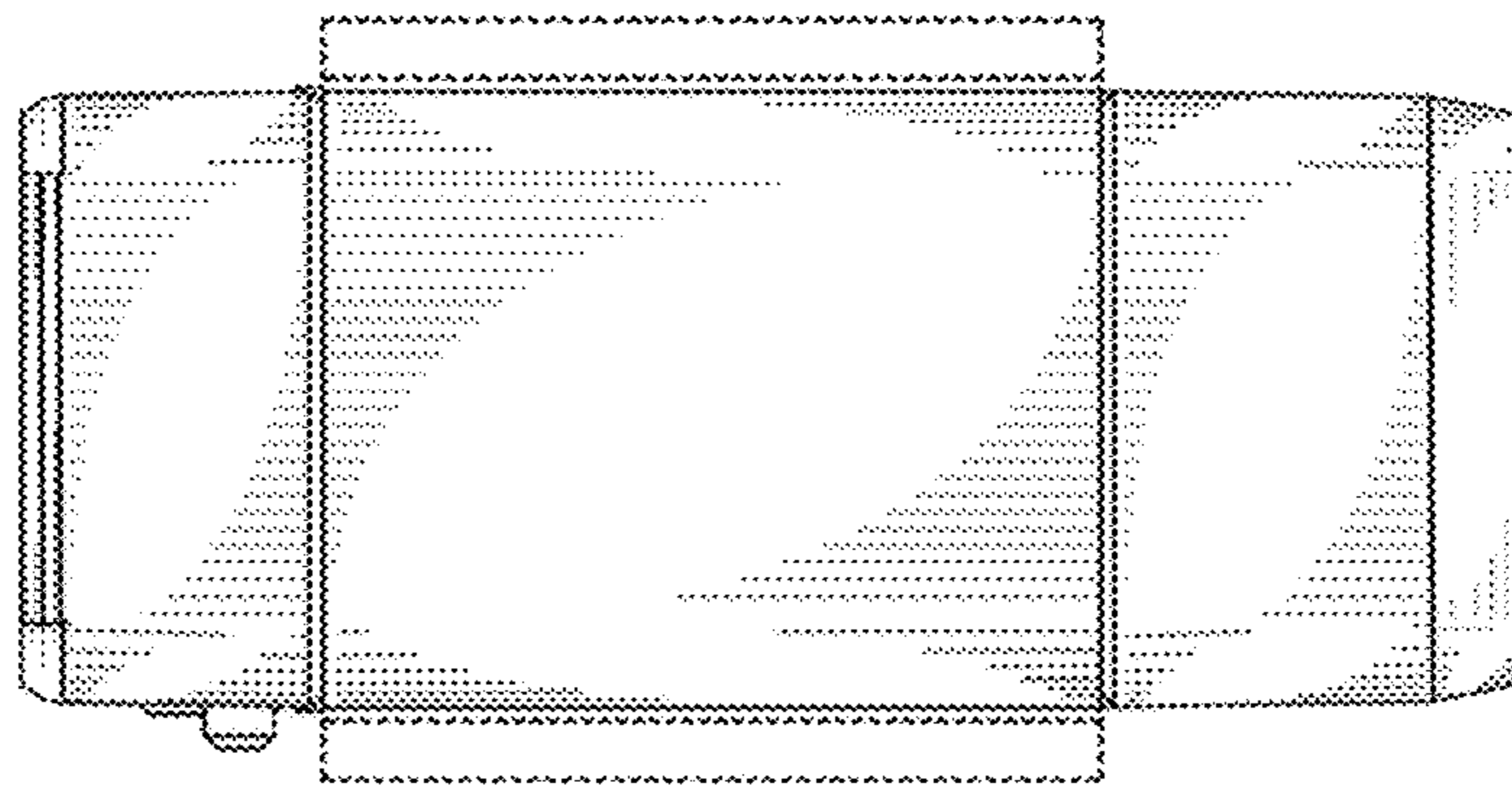


FIG. 6



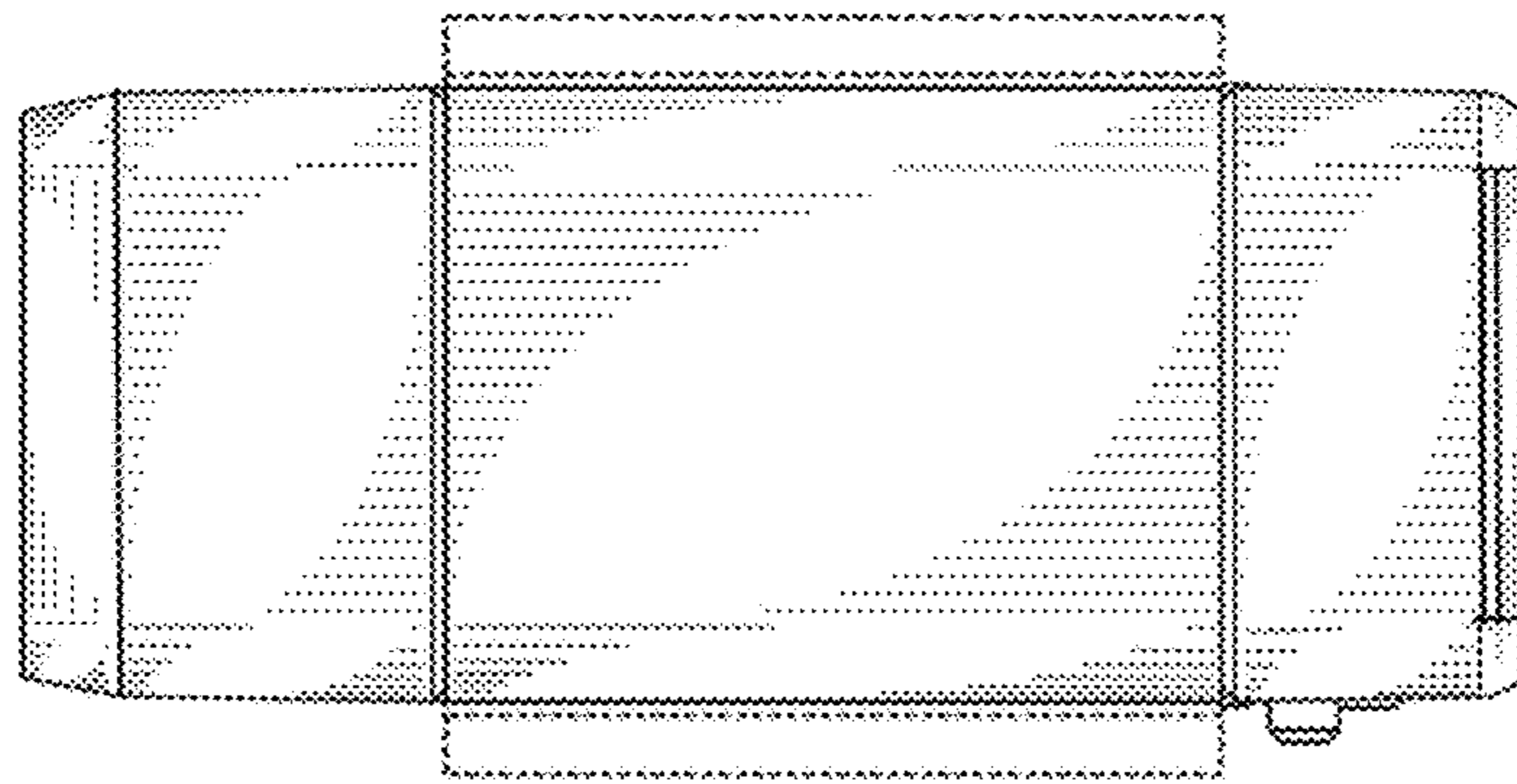


FIG. 7