



US00D853954S

(12) **United States Design Patent**
McPheeters

(10) **Patent No.:** **US D853,954 S**

(45) **Date of Patent:** **** Jul. 16, 2019**

(54) **SOLAR PANEL MOUNTING RAIL**

(71) Applicant: **Sunrun South LLC**, San Luis Obispo, CA (US)

(72) Inventor: **Greg McPheeters**, Santa Cruz, CA (US)

(73) Assignee: **Sunrun South LLC**, San Luis Obispo, CA (US)

(**) Term: **15 Years**

(21) Appl. No.: **29/622,158**

(22) Filed: **Oct. 13, 2017**

(51) **LOC (11) Cl.** **13-02**

(52) **U.S. Cl.**
USPC **D13/102**

(58) **Field of Classification Search**
USPC D13/101, 102, 107, 118, 184, 199
CPC H02J 7/0042; H02J 7/0045; H02J 7/0052;
H01R 31/06; H01R 24/38; H01L 31/042;
H01L 31/045; H01L 31/046; H01L 31/048; H01L 31/05; H01L 31/052; H01L 31/0525; H02S 30/00; H02S 20/10; H02S 20/23; H02S 20/30; H02S 40/34; H02S 40/44; F24J 2/52; F03G 6/00

See application file for complete search history.

(56) **References Cited**

U.S. PATENT DOCUMENTS

D547,262 S *	7/2007	Ullman	D13/102
D627,717 S *	11/2010	Munoz	D13/102
D670,159 S *	11/2012	Bitarchas	D8/394
D701,827 S *	4/2014	Turk	D13/102
D732,698 S *	6/2015	Meng	D25/61

* cited by examiner

Primary Examiner — Daniel D Bui

(74) *Attorney, Agent, or Firm* — Kramer Levin Naftalis & Frankel LLP

(57) **CLAIM**

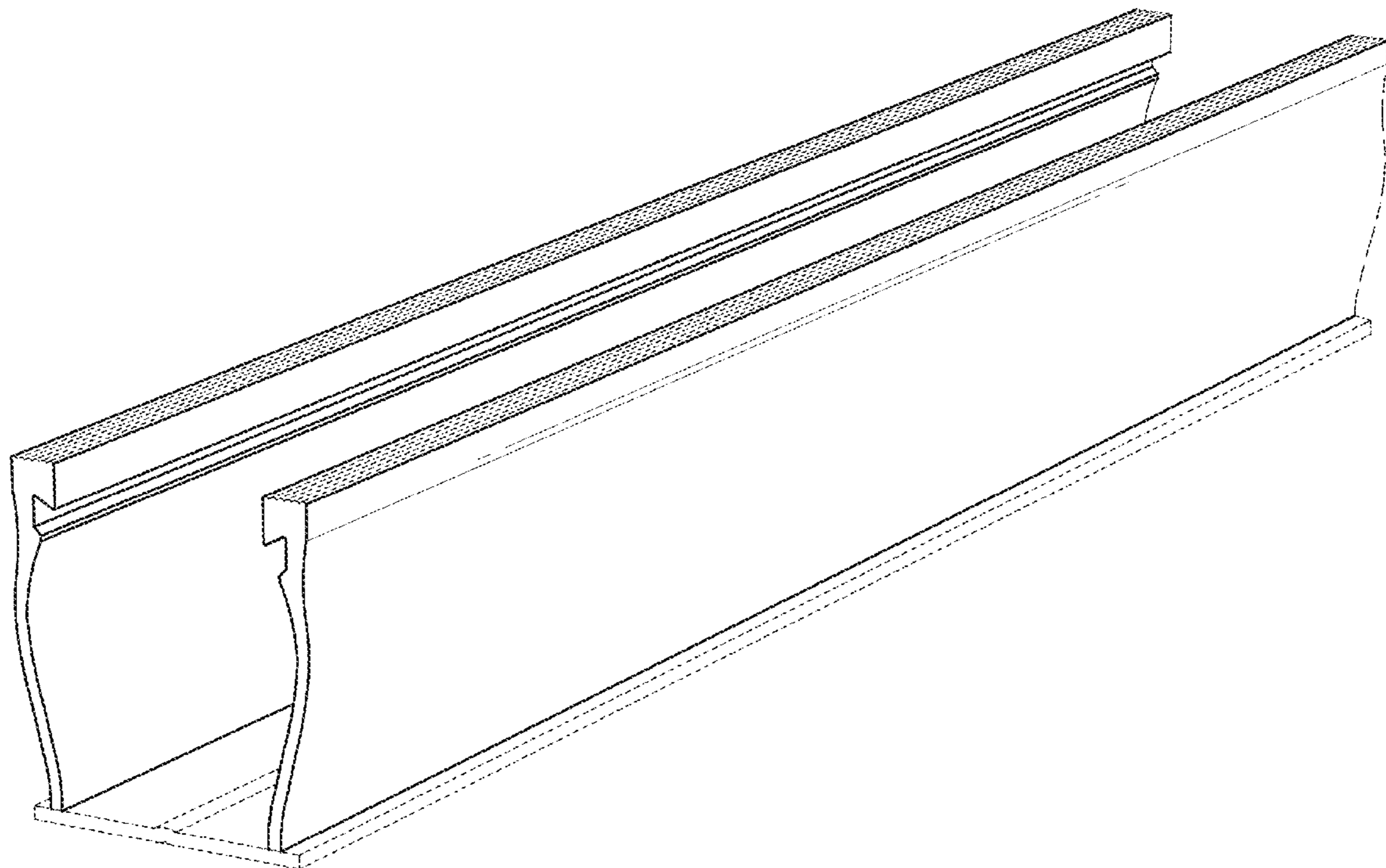
I claim the ornamental design for a solar panel mounting rail, as shown and described.

DESCRIPTION

FIG. 1 is a front perspective view of a solar panel mounting rail showing my design;
FIG. 2 is a front elevational view thereof;
FIG. 3 is a rear elevational view thereof;
FIG. 4 is a right side elevational view thereof;
FIG. 5 is a left side elevational view thereof;
FIG. 6 is a top plan view thereof; and,
FIG. 7 is a bottom view thereof.

The broken line in the drawing views represents unclaimed environment structure only and forms no part of the claimed design.

1 Claim, 5 Drawing Sheets



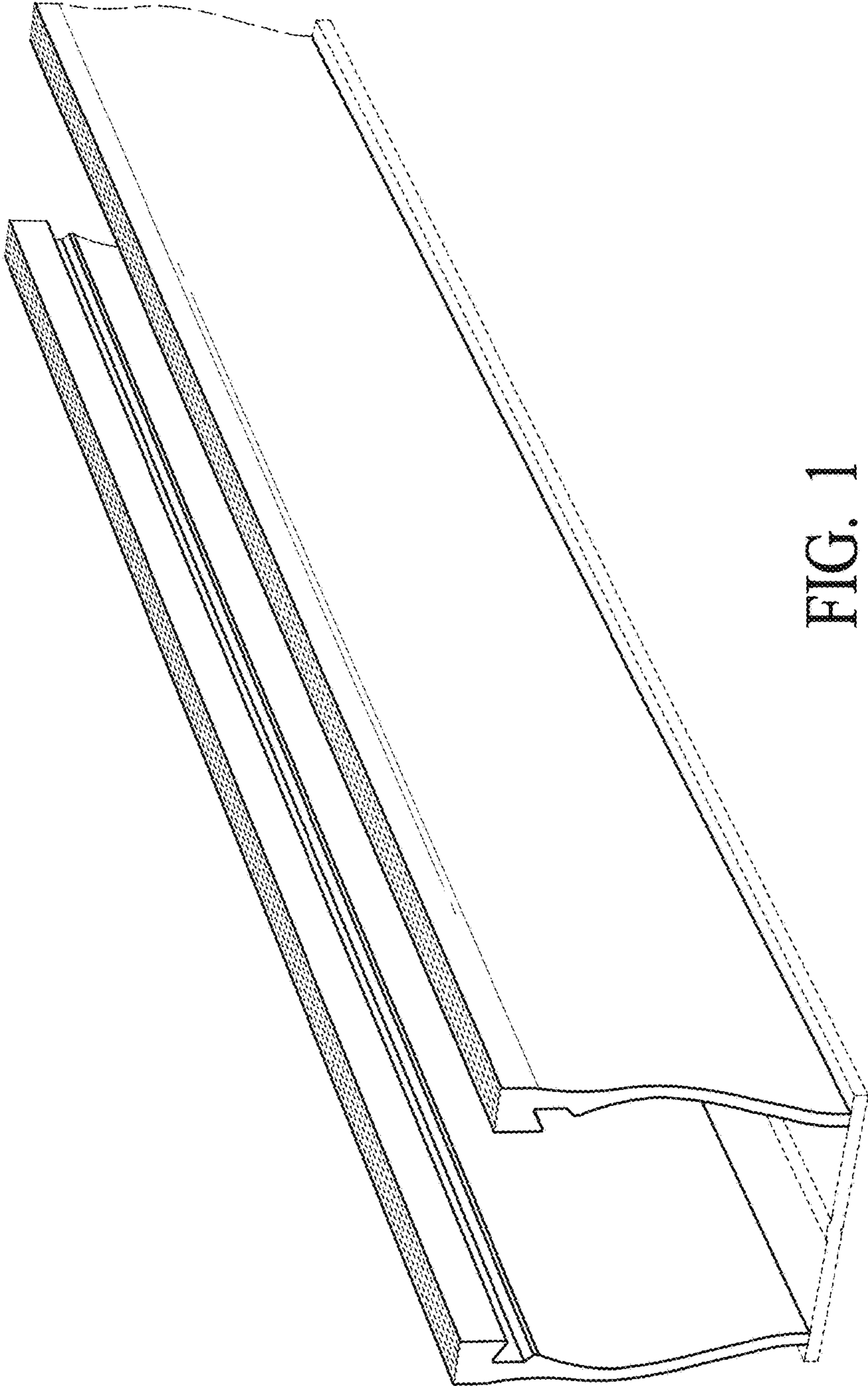


FIG. 1

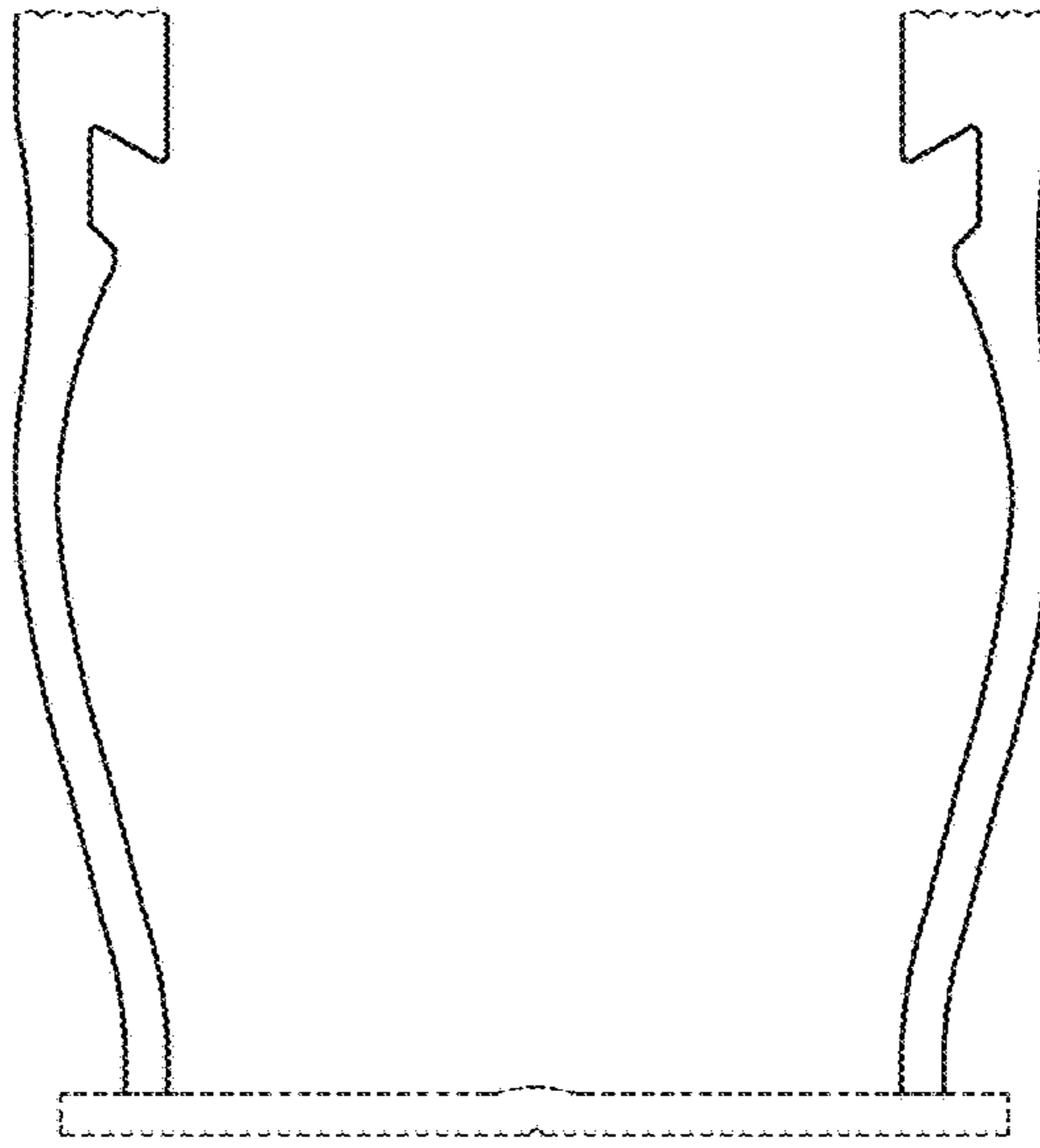


FIG. 2

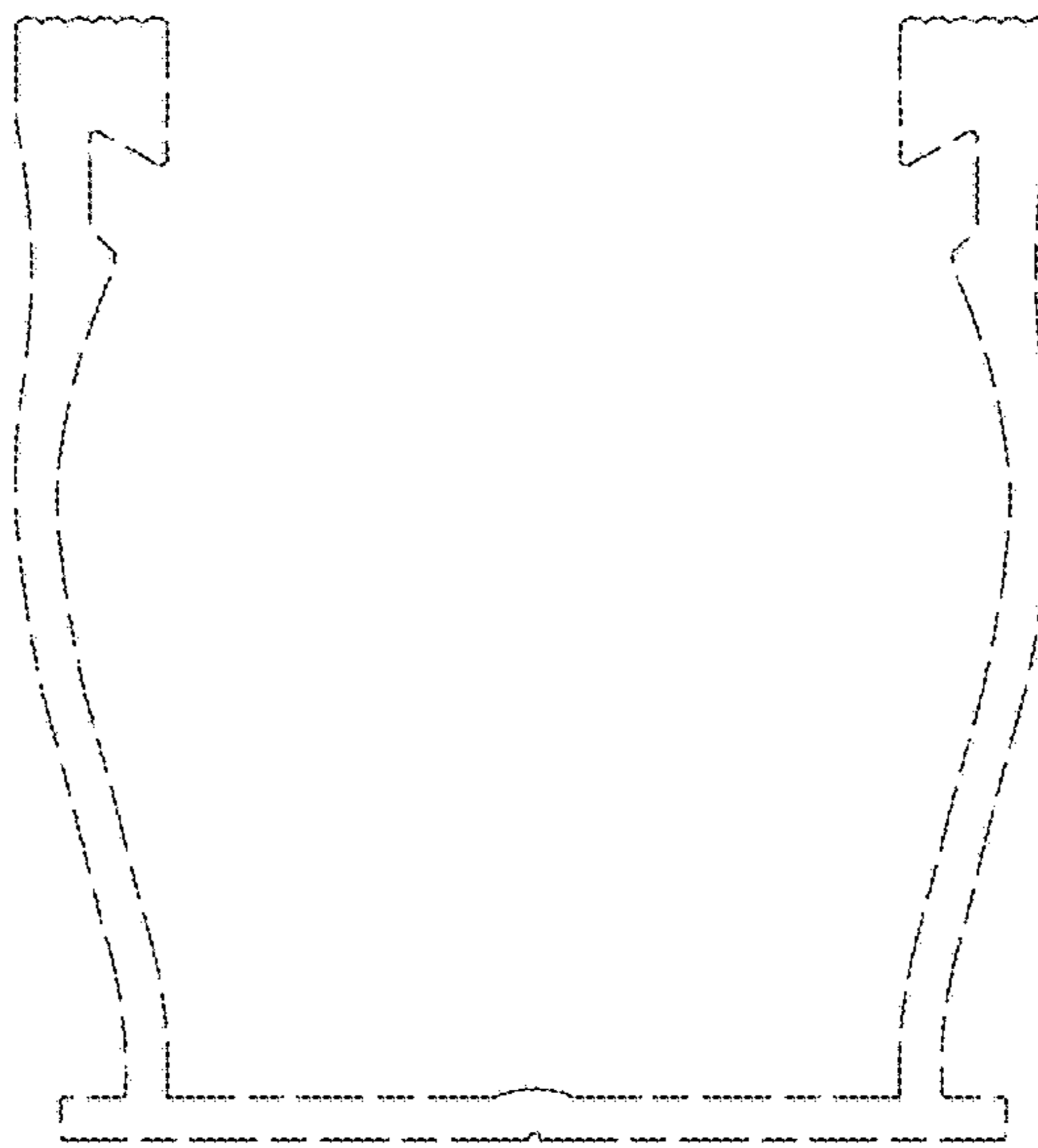


FIG. 3

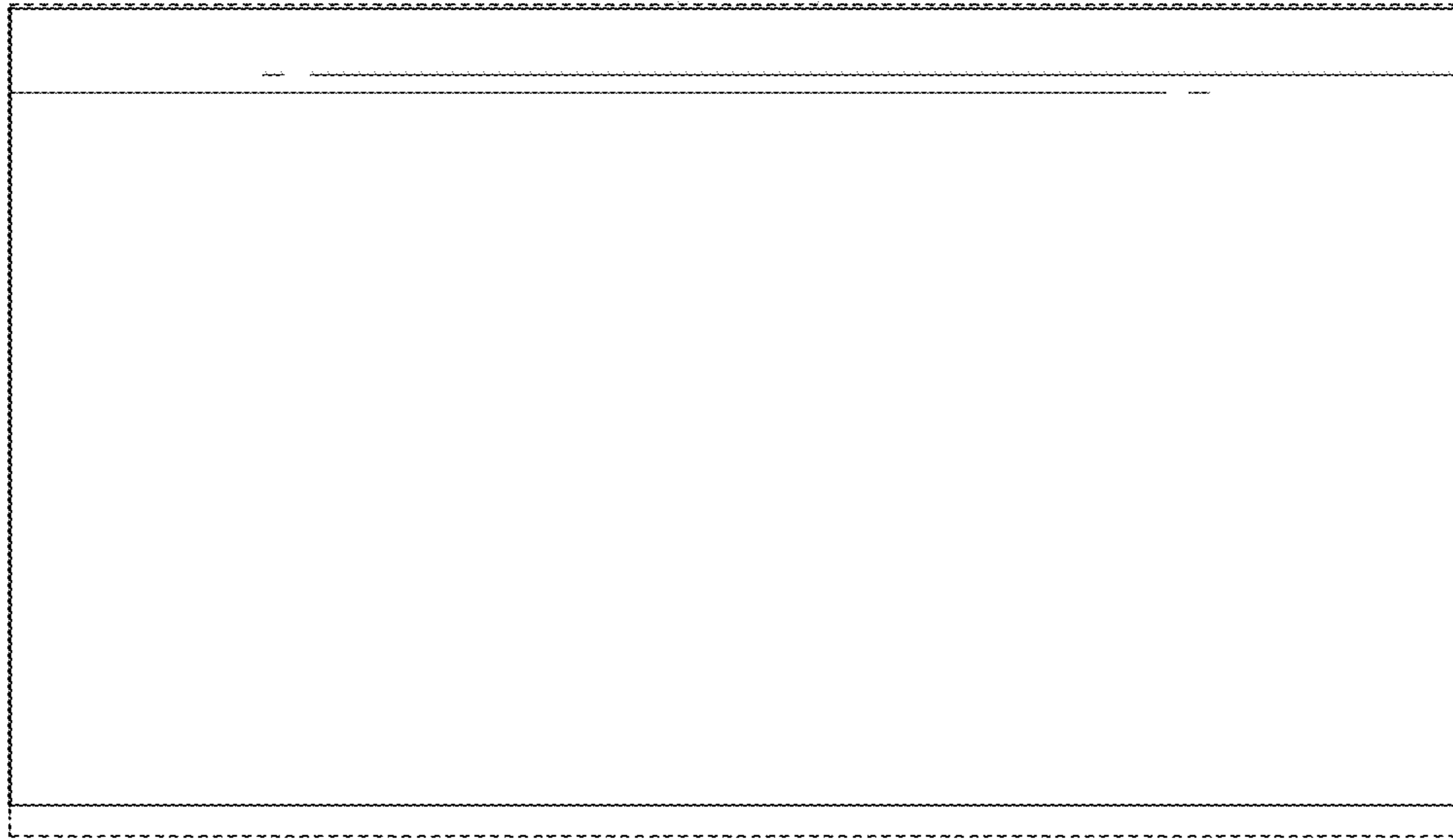


FIG. 4

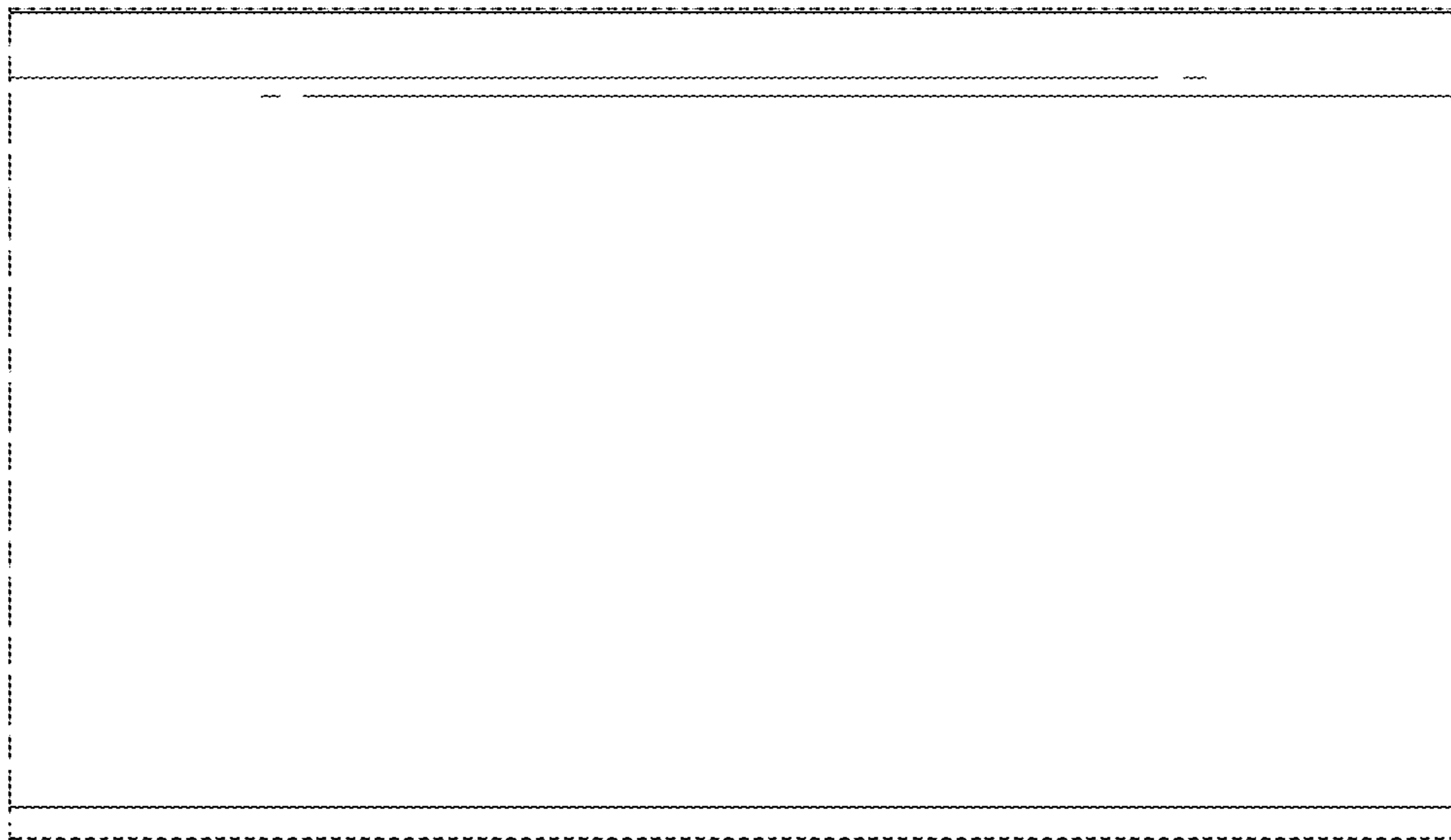


FIG. 5

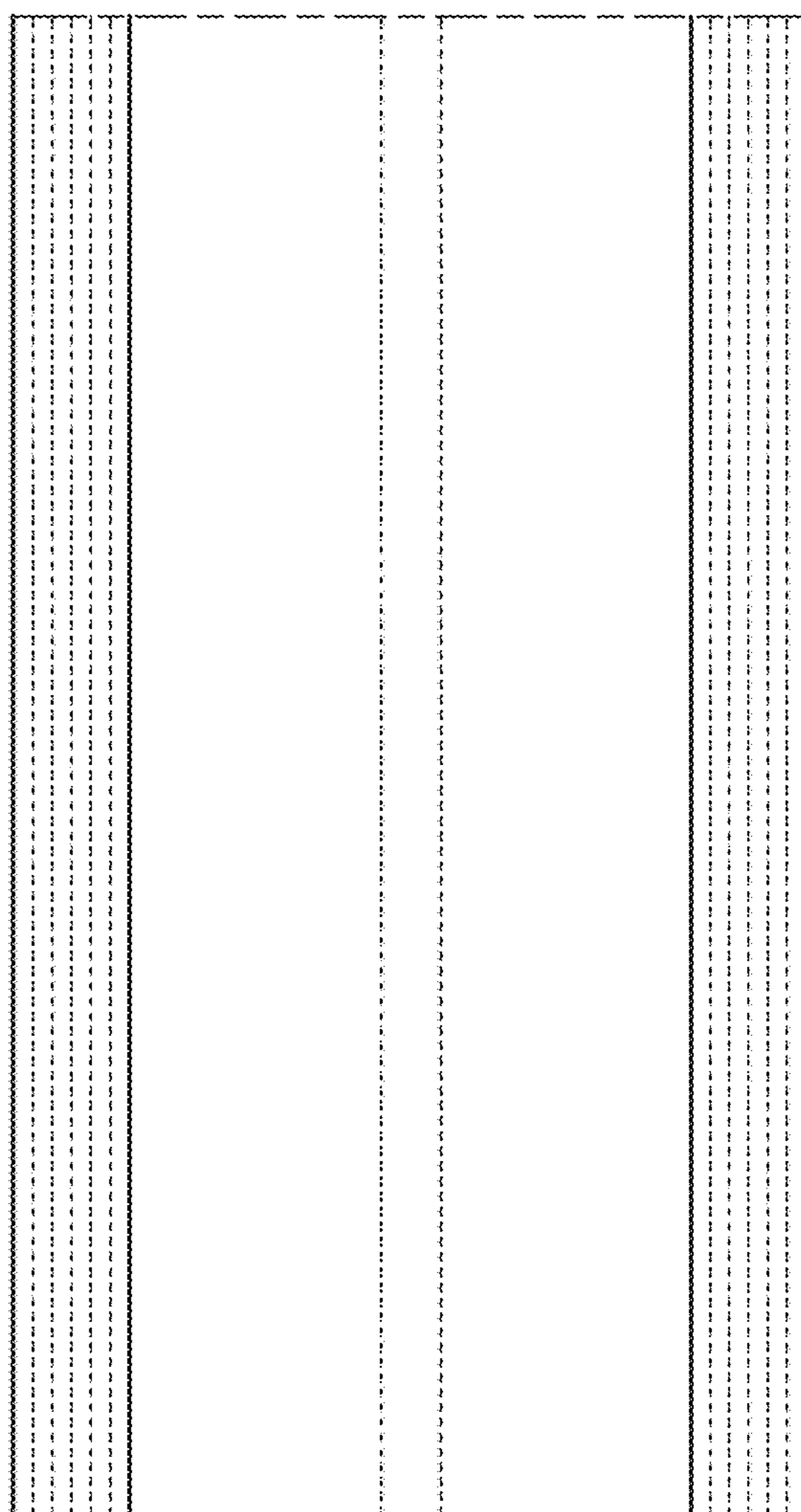


FIG. 6

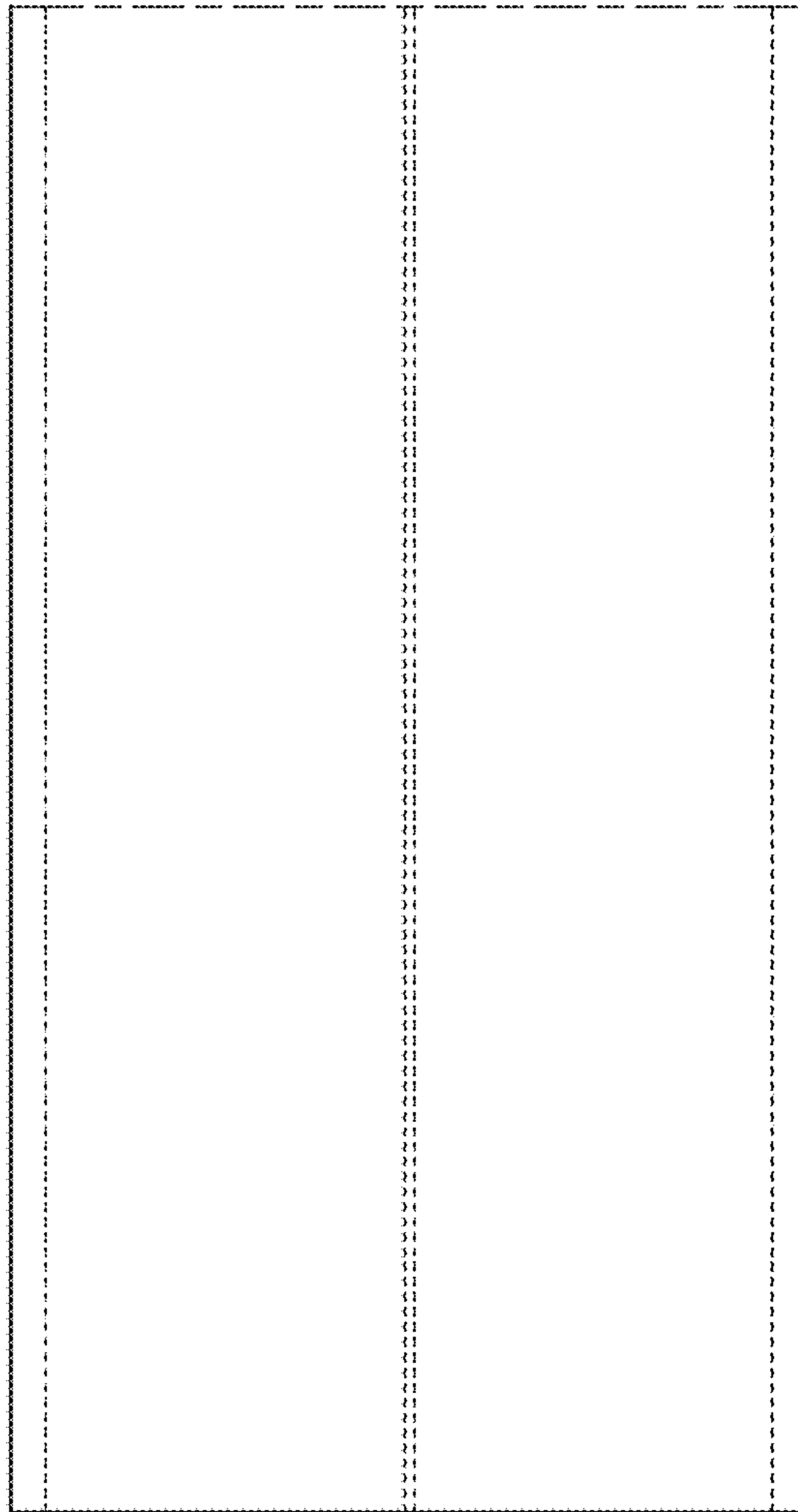


FIG. 7