



US00D853950S

(12) **United States Design Patent**
Kubota et al.

(10) **Patent No.:** **US D853,950 S**

(45) **Date of Patent:** **** Jul. 16, 2019**

(54) **AUTOMOBILE TIRE**

(71) Applicant: **The Yokohama Rubber Co., Ltd.**,
Minato-ku, Tokyo (JP)

(72) Inventors: **Masataka Kubota**, Hiratsuka (JP);
Noboru Kuwahara, Tokyo (JP)

(73) Assignee: **The Yokohama Rubber Co., Ltd.** (JP)

(**) Term: **15 Years**

(21) Appl. No.: **29/613,958**

(22) Filed: **Aug. 15, 2017**

(30) **Foreign Application Priority Data**

Feb. 17, 2017 (JP) 2017-003104

(51) **LOC (11) Cl.** **12-15**

(52) **U.S. Cl.**
USPC **D12/605**

(58) **Field of Classification Search**
USPC D12/604, 605
CPC B60C 13/00; B60C 1/00
See application file for complete search history.

(56) **References Cited**

U.S. PATENT DOCUMENTS

D558,138 S *	12/2007	Shondel	D12/605
D569,792 S *	5/2008	Holden	D12/605
D585,017 S *	1/2009	Shondel	D12/605
D585,018 S *	1/2009	Shondel	D12/605
D588,529 S *	3/2009	Reese	D12/605
D588,532 S *	3/2009	Shondel	D12/605
D602,427 S *	10/2009	Takahashi	D12/605
D608,273 S *	1/2010	Scheifele	D12/605
D608,274 S *	1/2010	Takahashi	D12/605
D629,745 S *	12/2010	Shondel	D12/605
D638,783 S *	5/2011	Endou	D12/605
D640,186 S *	6/2011	Miyazaki	D12/605
D656,089 S *	3/2012	Miyazaki	D12/605
D662,871 S *	7/2012	Miyazaki	D12/517

D668,603 S *	10/2012	Iwabuchi	D12/605
D708,121 S *	7/2014	Iwabuchi	D12/605
D711,816 S *	8/2014	Iwabuchi	D12/605
D732,468 S *	6/2015	Schoeppner	D12/605
D739,344 S *	9/2015	Kuwano	D12/605
D740,747 S *	10/2015	Sato	D12/605
D750,015 S *	2/2016	Scheifele	D12/605
D768,067 S *	10/2016	Kuwano	D12/605

(Continued)

OTHER PUBLICATIONS

First Examination Report for Indian Application No. 296726, dated Sep. 12, 2017, 11 pages.

Primary Examiner — Michelle E. Wilson

Assistant Examiner — Clese Moore, Jr.

(74) *Attorney, Agent, or Firm* — RatnerPrestia

(57) **CLAIM**

The ornamental design for an automobile tire, as shown and described.

DESCRIPTION

FIG. 1 is a front view of an automobile tire showing our new design;

FIG. 2 is a rear view thereof;

FIG. 3 is a front perspective view thereof;

FIG. 4 is a rear perspective view thereof;

FIG. 5 is a top plan view thereof;

FIG. 6 is a bottom plan view thereof;

FIG. 7 is a left side view thereof;

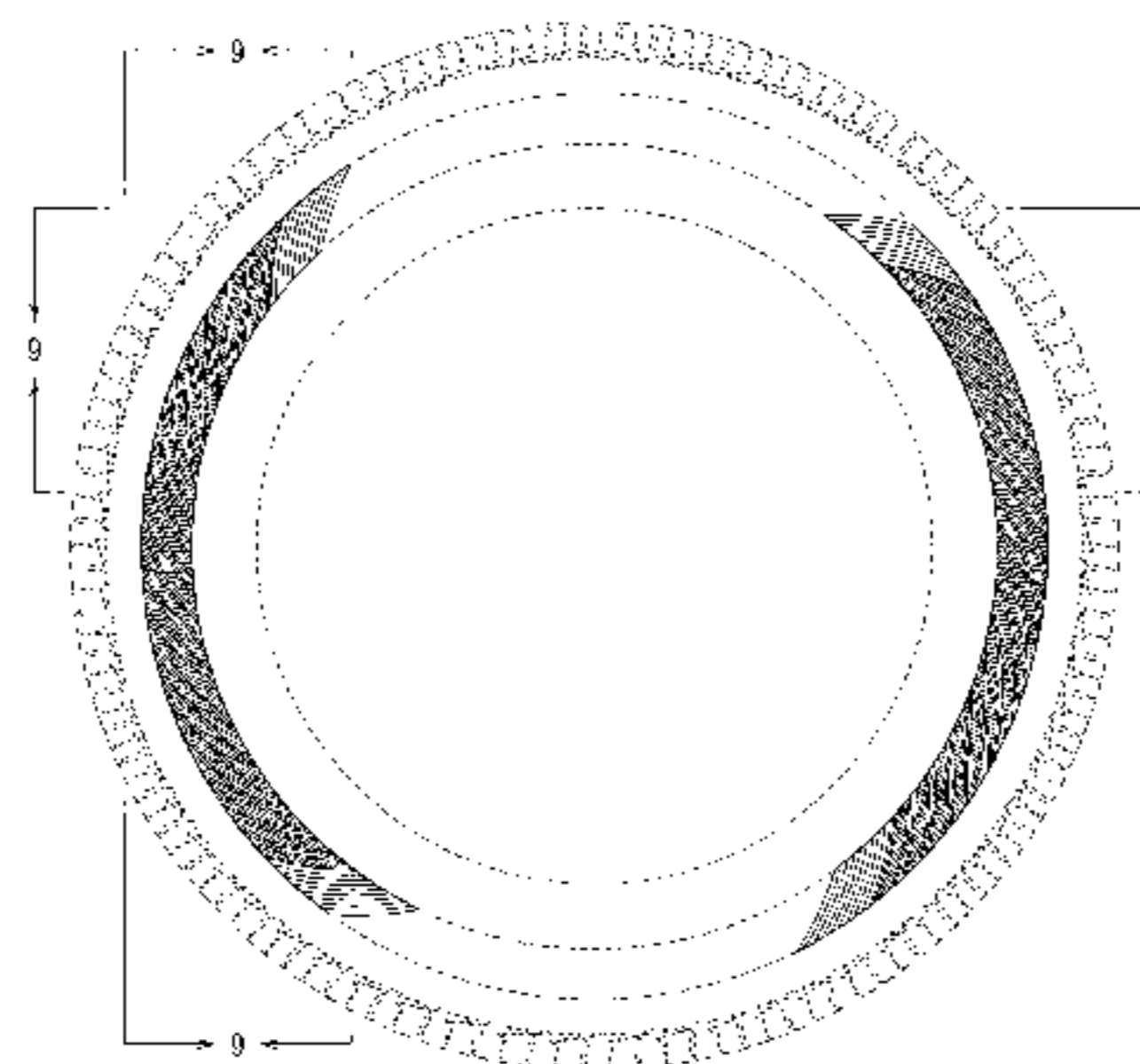
FIG. 8 is a right side view thereof;

FIG. 9 is an enlarged fragmental view thereof, taken along lines 9-9 in FIG. 1; and,

FIG. 10 is a cross-sectional view thereof, taken along lines 10-10 in FIG. 9.

The broken lines in the drawings are for the purpose of illustrating unclaimed portions of the tire and form no part of the claimed design.

1 Claim, 8 Drawing Sheets



(56)

References Cited

U.S. PATENT DOCUMENTS

D769,806 S *	10/2016	Yasunaga	D12/605
D777,656 S *	1/2017	Maxwell	D12/605
D777,658 S *	1/2017	Taniguchi	D12/605
D782,407 S *	3/2017	Nagase	D12/605
D790,450 S *	6/2017	Sato	D12/605
D790,451 S *	6/2017	Sato	D12/605
D792,339 S *	7/2017	Taniguchi	D12/605
D792,843 S *	7/2017	Taniguchi	D12/605

* cited by examiner

FIG. 1

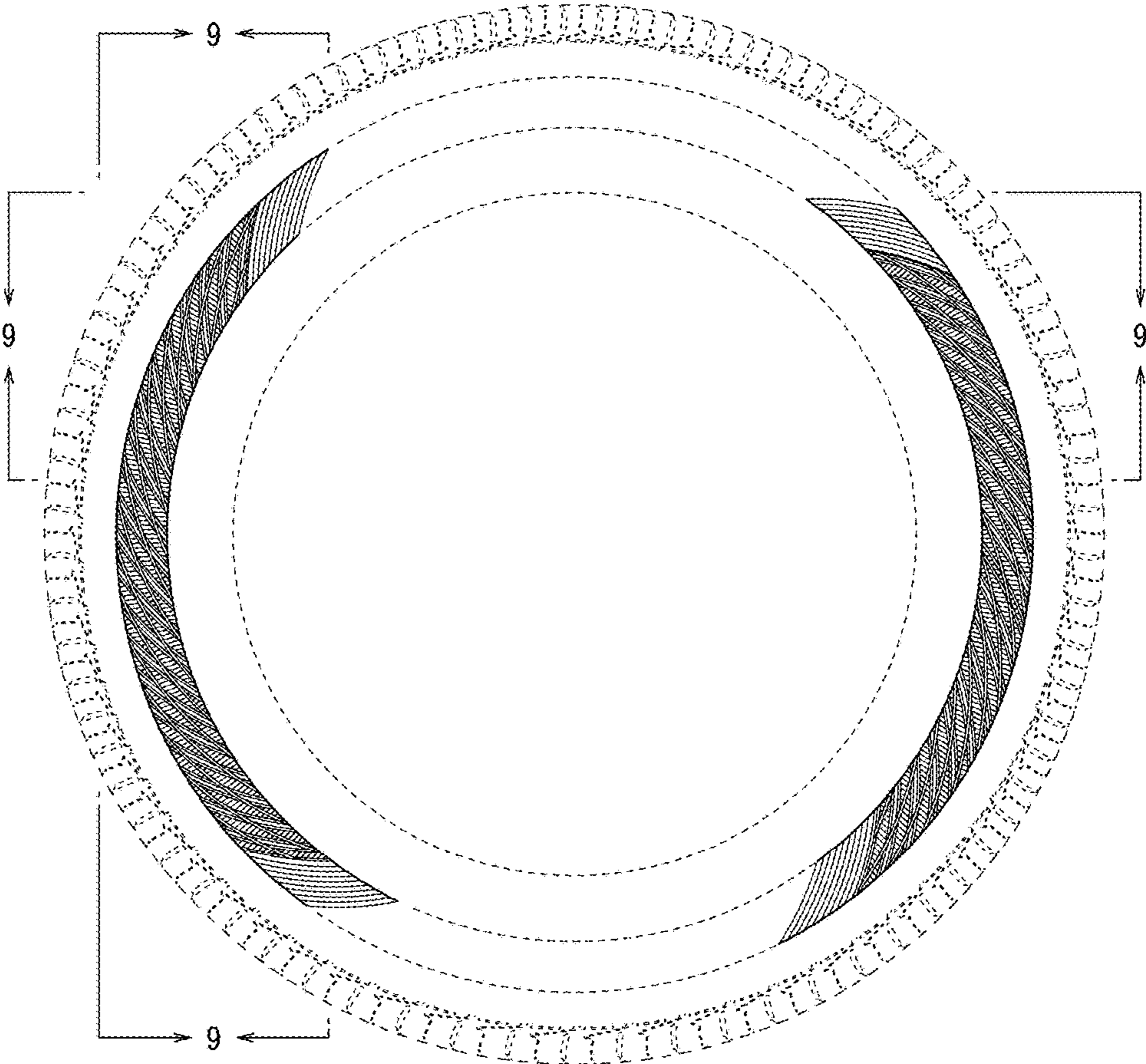


FIG. 2

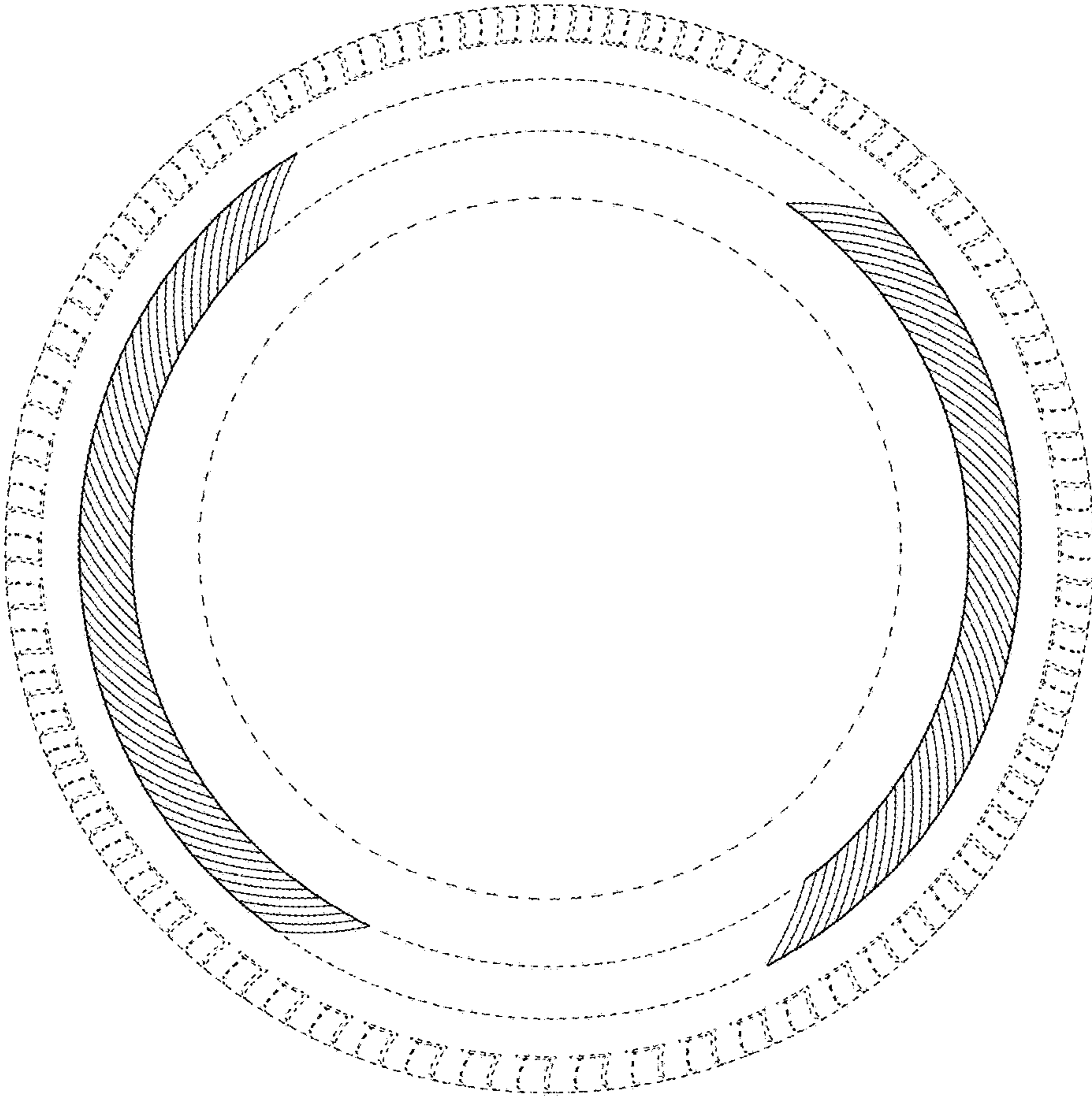


FIG. 3

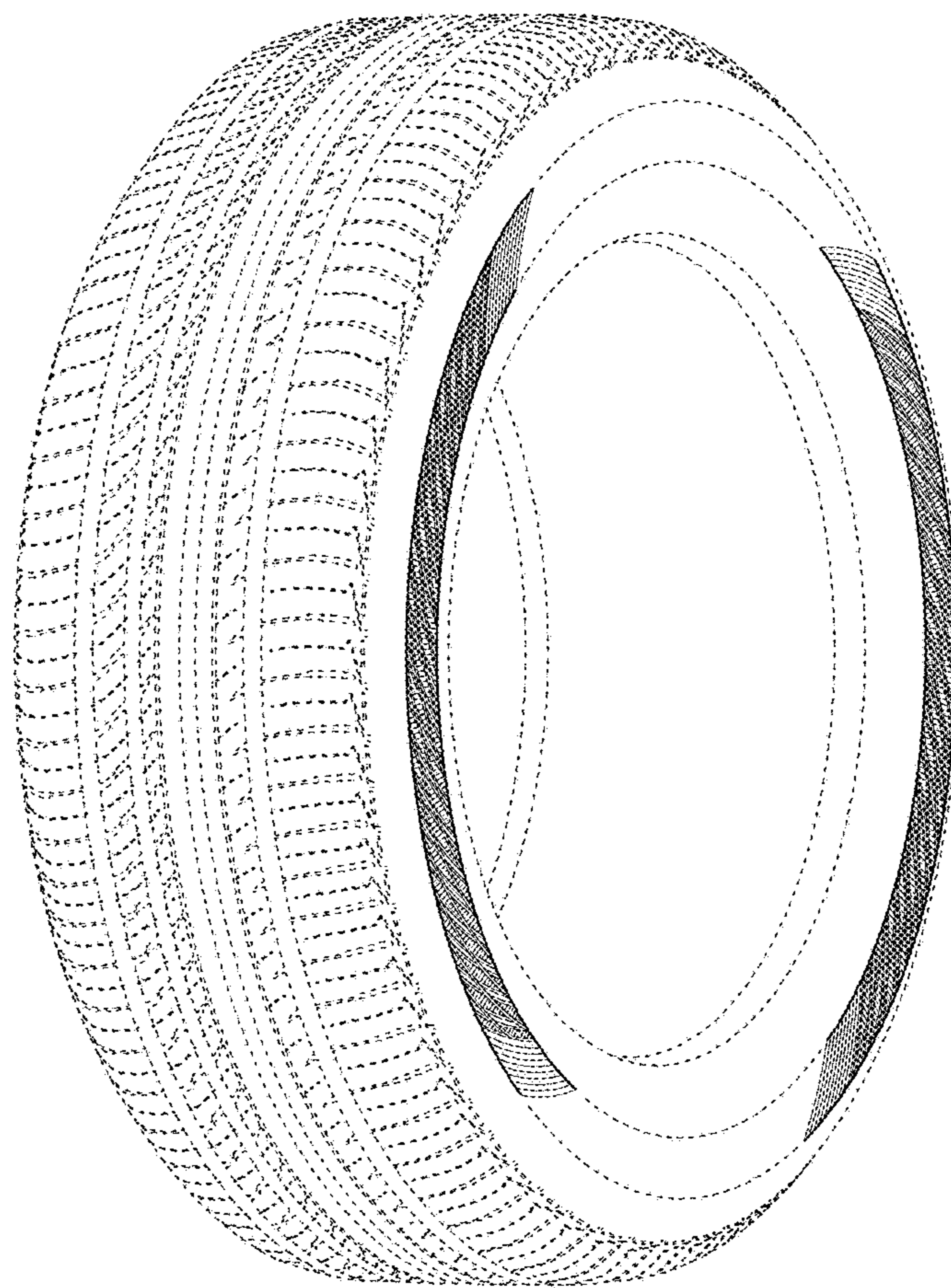


FIG. 4

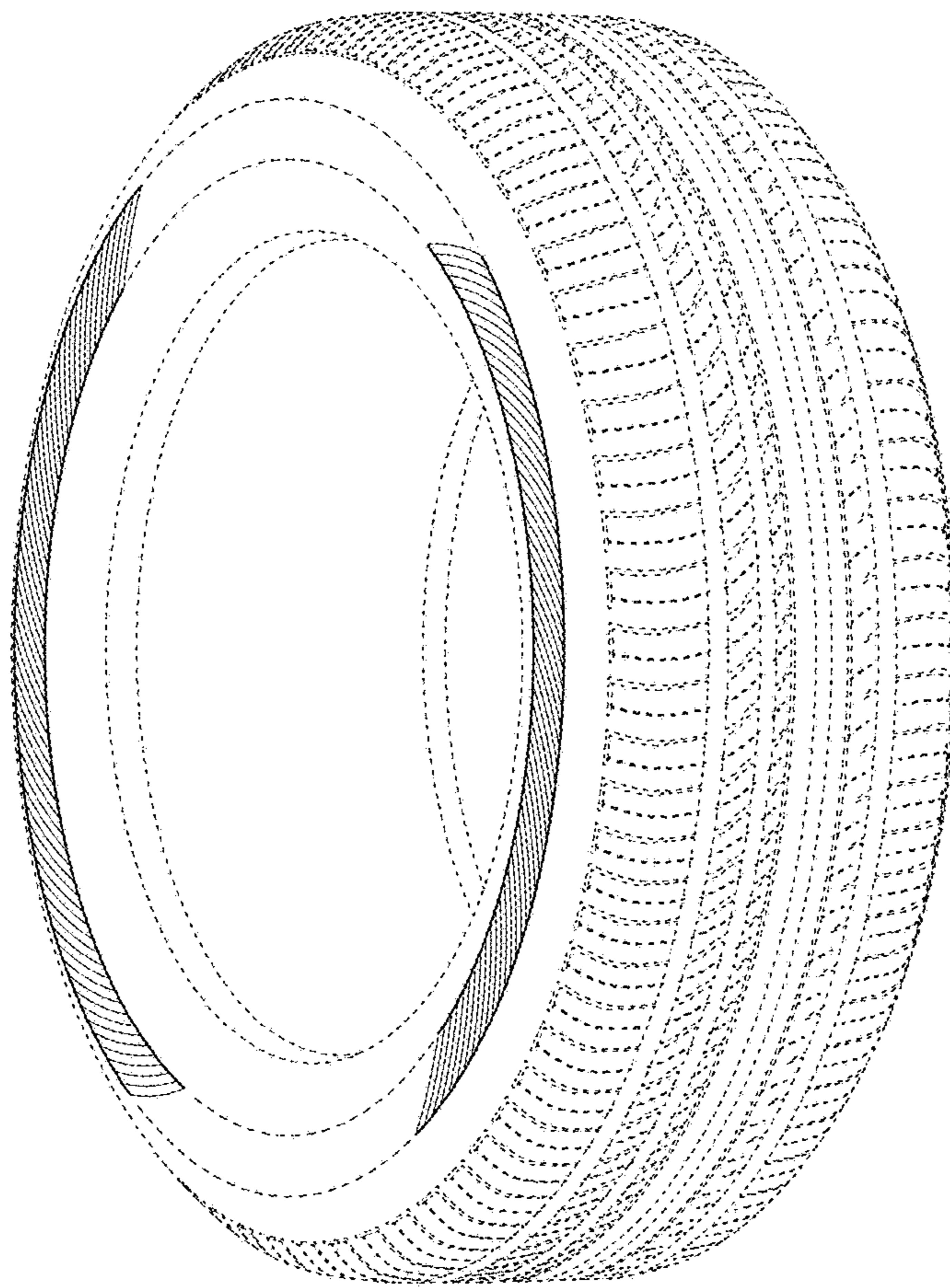


FIG. 5

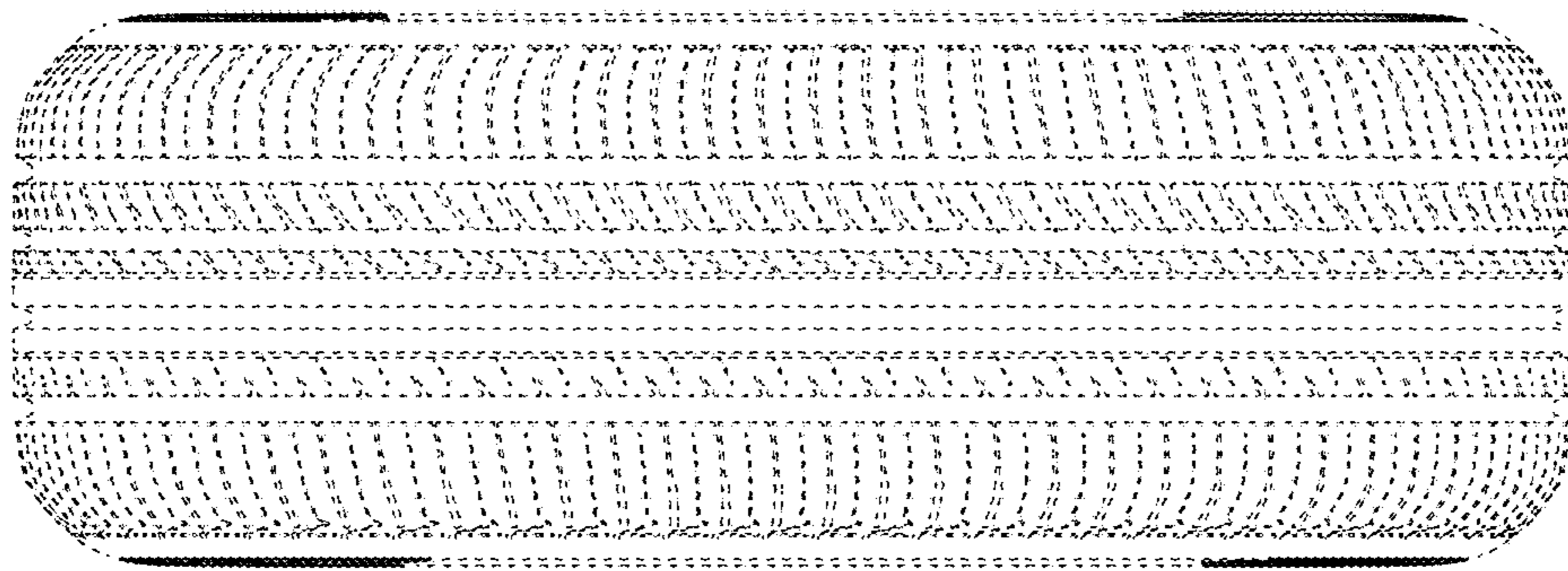


FIG. 6

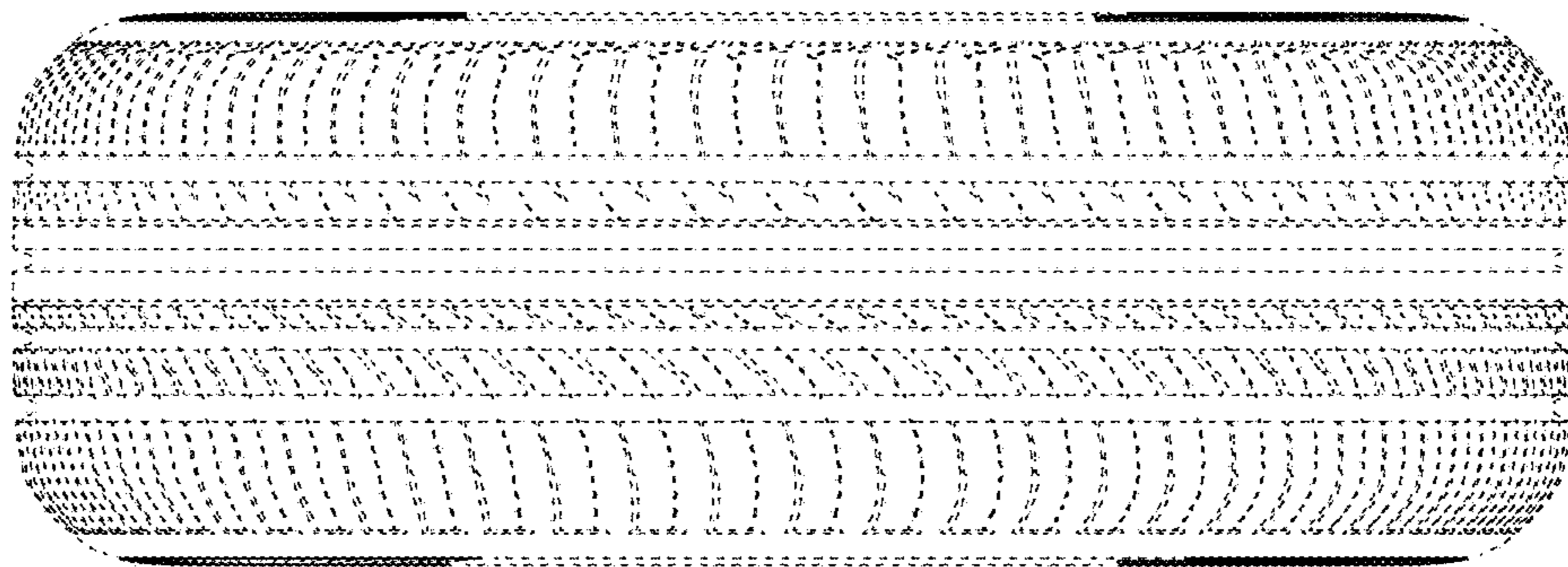


FIG. 7

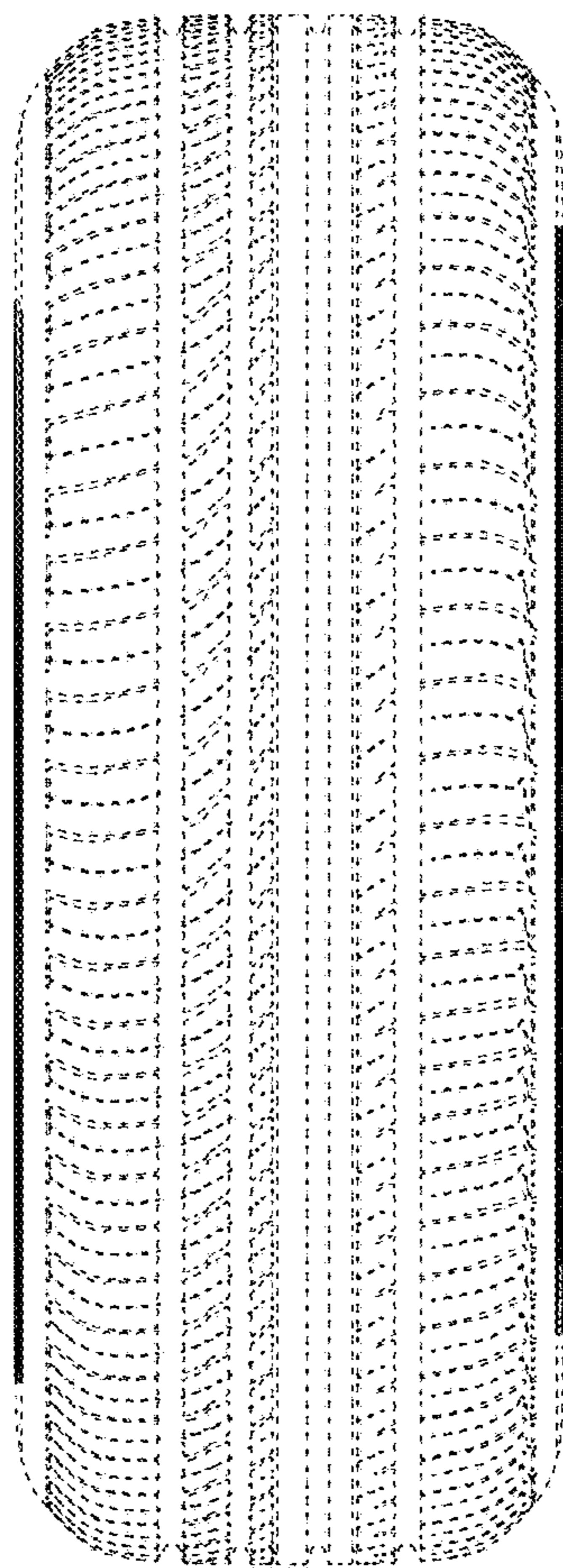


FIG. 8

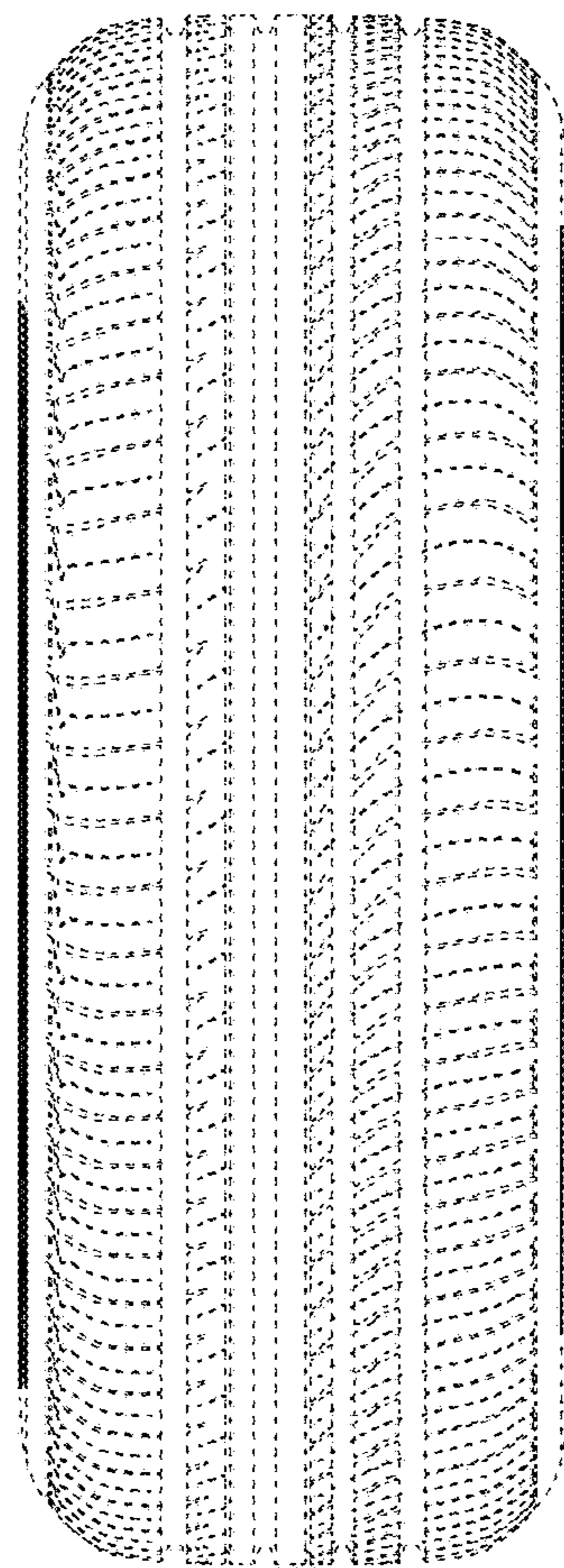


FIG. 9

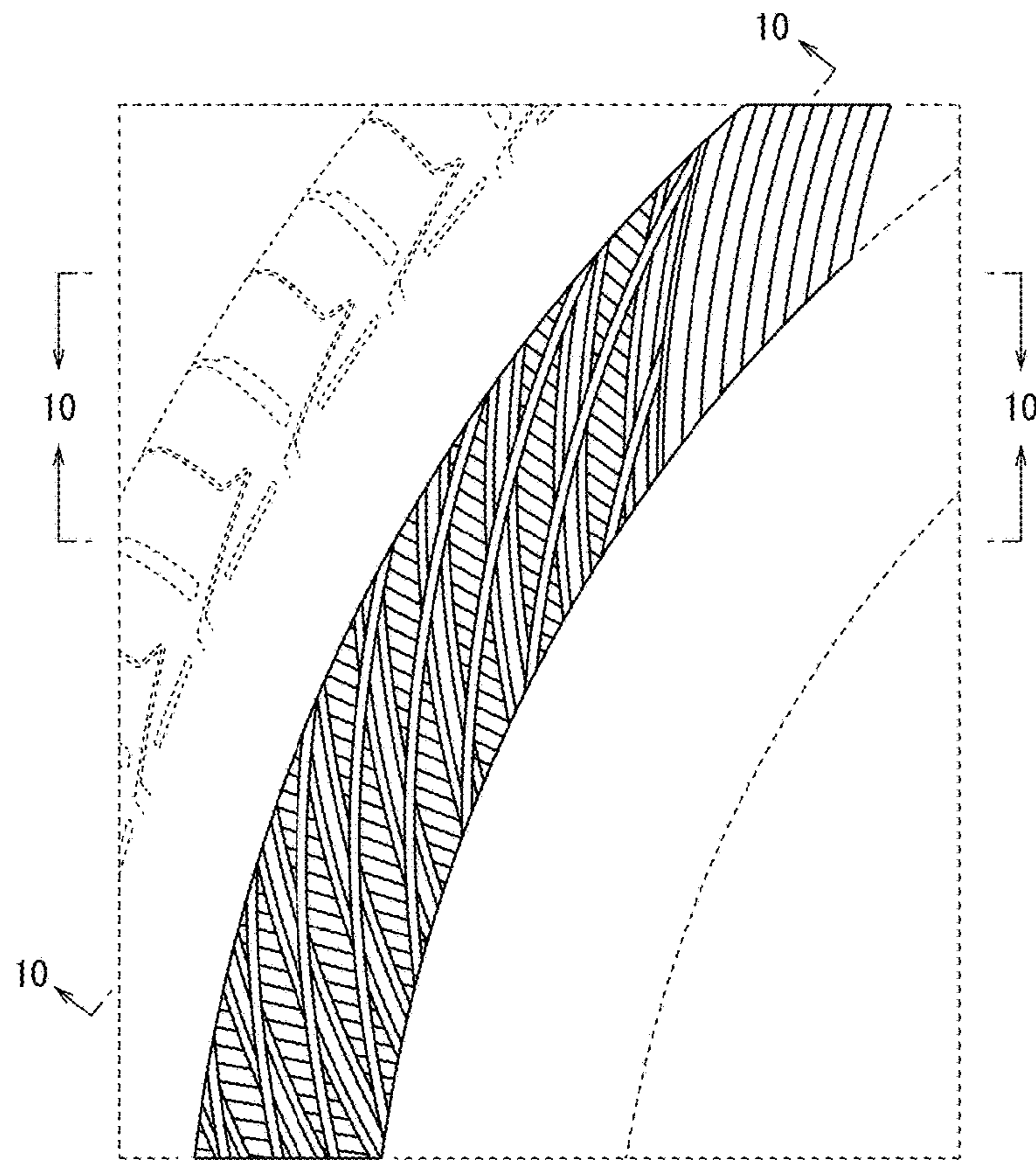


FIG. 10

