



US00D853949S

(12) **United States Design Patent**  
**Zimmerman et al.**

(10) **Patent No.:** **US D853,949 S**  
(45) **Date of Patent:** **\*\* Jul. 16, 2019**

(54) **TIRE**

FOREIGN PATENT DOCUMENTS

(71) Applicant: **The Goodyear Tire & Rubber Company**, Akron, OH (US)

JP 1373918 S 11/2009  
JP 1448776 S 8/2012

(Continued)

(72) Inventors: **Ryan Eugene Zimmerman**, Deerfield, OH (US); **Christopher Byron Davis**, North Canton, OH (US); **Nicholas Thomas Schoeppner**, Cuyahoga Falls, OH (US); **Michael James Buckley**, Kent, OH (US); **David Mark Frantz**, Norton, OH (US)

OTHER PUBLICATIONS

Japanese Decision to Grant issued Oct. 23, 2018, and received by Applicant Nov. 5, 2018.

*Primary Examiner* — Robert M. Spear  
(74) *Attorney, Agent, or Firm* — Robert N. Lipsik

(73) Assignee: **The Goodyear Tire & Rubber Company**, Akron, OH (US)

(57) **CLAIM**

The ornamental design for a tire, as shown and described.

(\*\*) Term: **15 Years**

**DESCRIPTION**

(21) Appl. No.: **29/637,380**

FIG. 1 is a perspective view of a tire showing our new design, it being understood that the pattern repeats uniformly throughout the circumference of the tread;

(22) Filed: **Feb. 16, 2018**

FIG. 2 is a front elevational view thereof;

(51) **LOC (11) Cl.** ..... **12-15**

FIG. 3 is a right side elevational view thereof; the left side elevational view being identical thereto;

(52) **U.S. Cl.**

USPC ..... **D12/601**

FIG. 4 is an enlarged fragmentary front elevational view thereof;

(58) **Field of Classification Search**

USPC ..... D12/579, 588, 594, 595, 596, 597, 600, D12/601, 602, 603

FIG. 5 is a perspective view of a second embodiment of a tire showing our new design, it being understood that the interior of the tire forms no part of the claim, that the pattern repeats uniformly throughout the circumference of the tread and that the opposite side view is identical thereto; and, FIG. 6 is a front elevational view of a second embodiment, it being understood that an enlarged fragmentary view thereof would be substantially identical to that shown in FIG. 4, with the exception of the inclusion of the sidewall in the claim.

CPC ..... B60C 11/0306; B60C 11/11  
See application file for complete search history.

In the drawings, the broken lines immediately adjacent to the outer edges of the tire shoulder represent boundaries of the claim, and the broken lines depict environmental subject matter only and form no part of the claimed design.

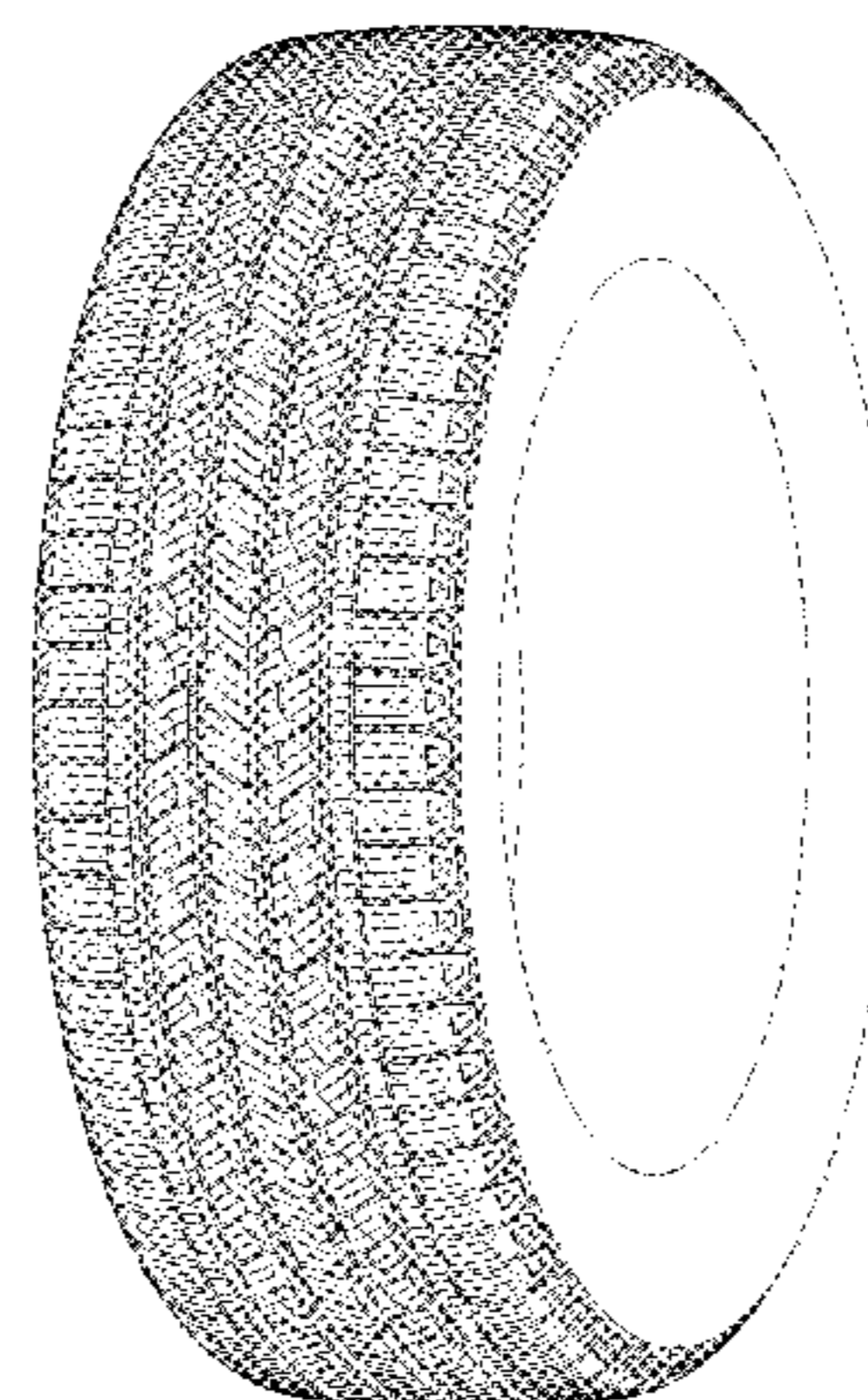
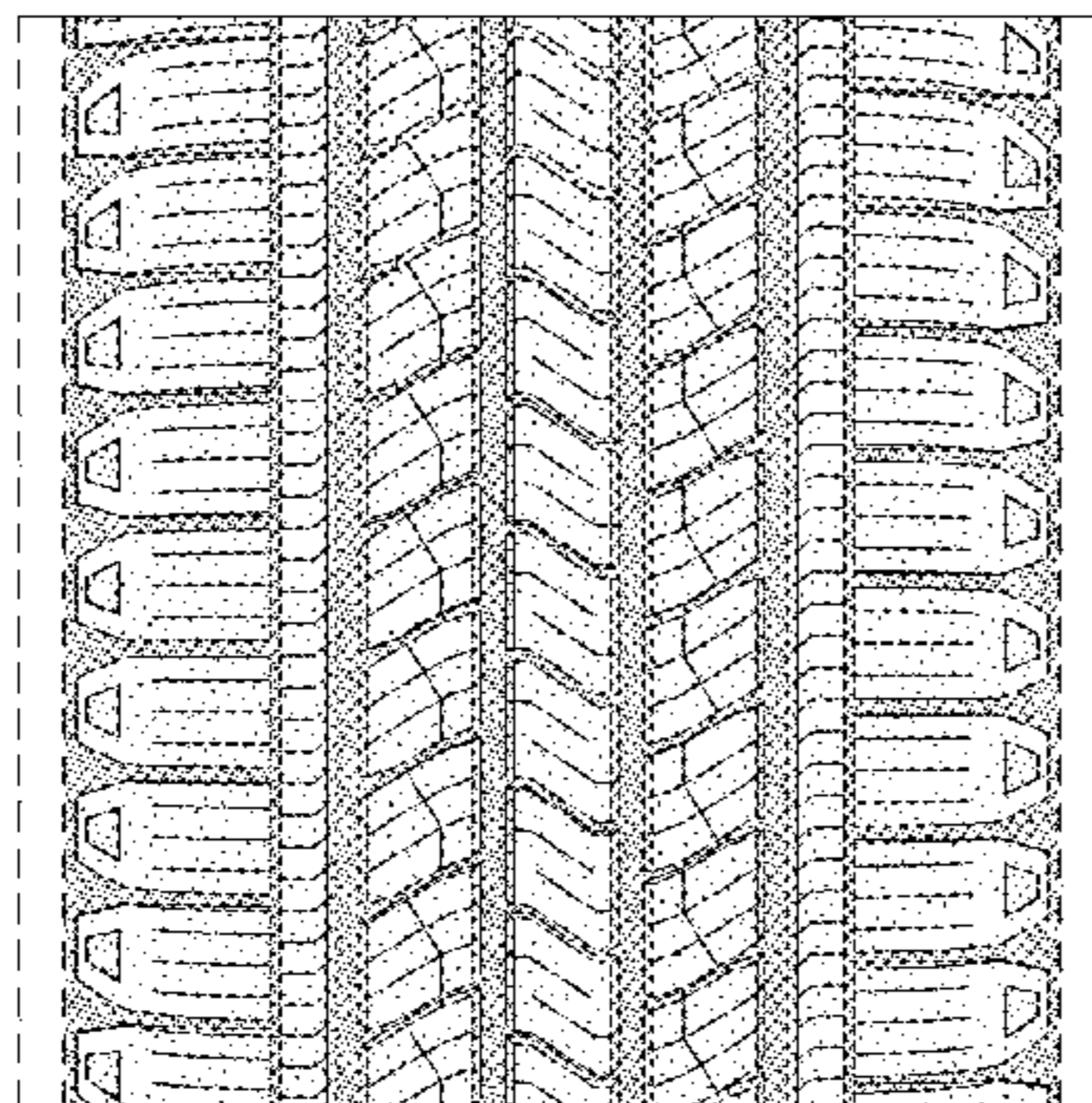
(56) **References Cited**

U.S. PATENT DOCUMENTS

D386,730 S	*	11/1997	Hubbell, Jr.	.....	D12/588
D392,922 S		3/1998	Heinen	.....	D12/147
D400,831 S		11/1998	Blankenship et al.	.....	D12/147
D421,731 S	*	3/2000	Weber	.....	D12/588
D422,246 S		4/2000	Fierro et al.	.....	D12/146
D426,178 S	*	6/2000	Weber	.....	D12/588

(Continued)

**1 Claim, 6 Drawing Sheets**



(56)

References Cited

U.S. PATENT DOCUMENTS

D444,430 S \* 7/2001 Welbes ..... D12/603  
 D458,897 S 6/2002 Weber et al.  
 D470,101 S 2/2003 Heinen ..... D12/584  
 D485,803 S \* 1/2004 Hutz ..... D12/601  
 D490,045 S 5/2004 Delu et al. .... D12/519  
 D554,055 S 10/2007 Beauguitte et al. .... D12/600  
 D560,600 S 1/2008 Dixon et al. .... D12/588  
 D581,346 S 11/2008 Shondel et al. .... D12/521  
 D586,733 S 2/2009 Shinohara ..... D12/588  
 D591,223 S 4/2009 Missik-Gaffney et al. ....  
 D12/584  
 D593,936 S 6/2009 Maxwell ..... D12/587  
 D595,220 S \* 6/2009 Maxwell ..... D12/588  
 D606,925 S 12/2009 Shavers et al. .... D12/521  
 D606,926 S 12/2009 Heinen et al. .... D12/521  
 D607,812 S 1/2010 Dixon et al. .... D12/587  
 D613,239 S 4/2010 Harvey et al. .... D12/58  
 D619,958 S 7/2010 Maxwell ..... D12/586  
 D627,713 S 11/2010 Le et al. .... D12/600  
 D630,997 S 1/2011 Wright et al. .... D12/516  
 D637,144 S 5/2011 Shinohara ..... D12/588  
 D639,719 S 6/2011 Harvey et al. .... D12/521  
 D649,109 S 11/2011 Harris et al. .... D12/601  
 D649,110 S 11/2011 Hutz et al. .... D12/601  
 D668,207 S 10/2012 Brown et al.  
 D668,208 S 10/2012 Brown et al. .... D12/588  
 D668,601 S 10/2012 Brown, IV et al. .... D12/588  
 D676,801 S 2/2013 Scheifele ..... D12/587  
 D730,817 S \* 6/2015 Parr ..... D12/601  
 D736,697 S 8/2015 Leocadio et al. .... D12/601

D739,816 S \* 9/2015 Lamb ..... D12/589  
 D740,212 S \* 10/2015 Wang ..... D12/598  
 D751,496 S 3/2016 Gallego et al.  
 D756,295 S 5/2016 Pingnat et al. .... D12/588  
 D757,642 S \* 5/2016 Kwak ..... D12/588  
 D758,957 S 6/2016 Kurlyama ..... D12/588  
 D764,390 S \* 8/2016 Umstot ..... D12/584  
 D764,398 S \* 8/2016 Wang ..... D12/601  
 D766,817 S 9/2016 Gallego et al.  
 D776,606 S 1/2017 Petr ..... D12/600  
 D777,651 S 1/2017 Gallego et al.  
 D779,414 S 2/2017 Zhang et al. .... D12/550  
 D780,678 S 3/2017 Maxwell et al. .... D12/595  
 D781,781 S 3/2017 Schimmoeller, Jr. .... D12/594  
 D787,432 S \* 5/2017 Hoshiba ..... D12/588  
 D789,284 S \* 6/2017 Krier ..... D12/588  
 D792,839 S \* 7/2017 Maxwell ..... D12/595  
 D803,768 S 11/2017 Leocadio et al. .... D12/588  
 D810,006 S \* 2/2018 Mayni ..... D12/588  
 D812,550 S 3/2018 Digman et al.  
 D838,664 S \* 1/2019 Pribula ..... D12/595

FOREIGN PATENT DOCUMENTS

JP 1536262 11/2015  
 JP 1538031 S 11/2015  
 JP 1538261 S 11/2015  
 JP 1577524 S 5/2017  
 KR 30-0831314 12/2015  
 KR 30-0836933 1/2016  
 KR 30-0836934 1/2016

\* cited by examiner

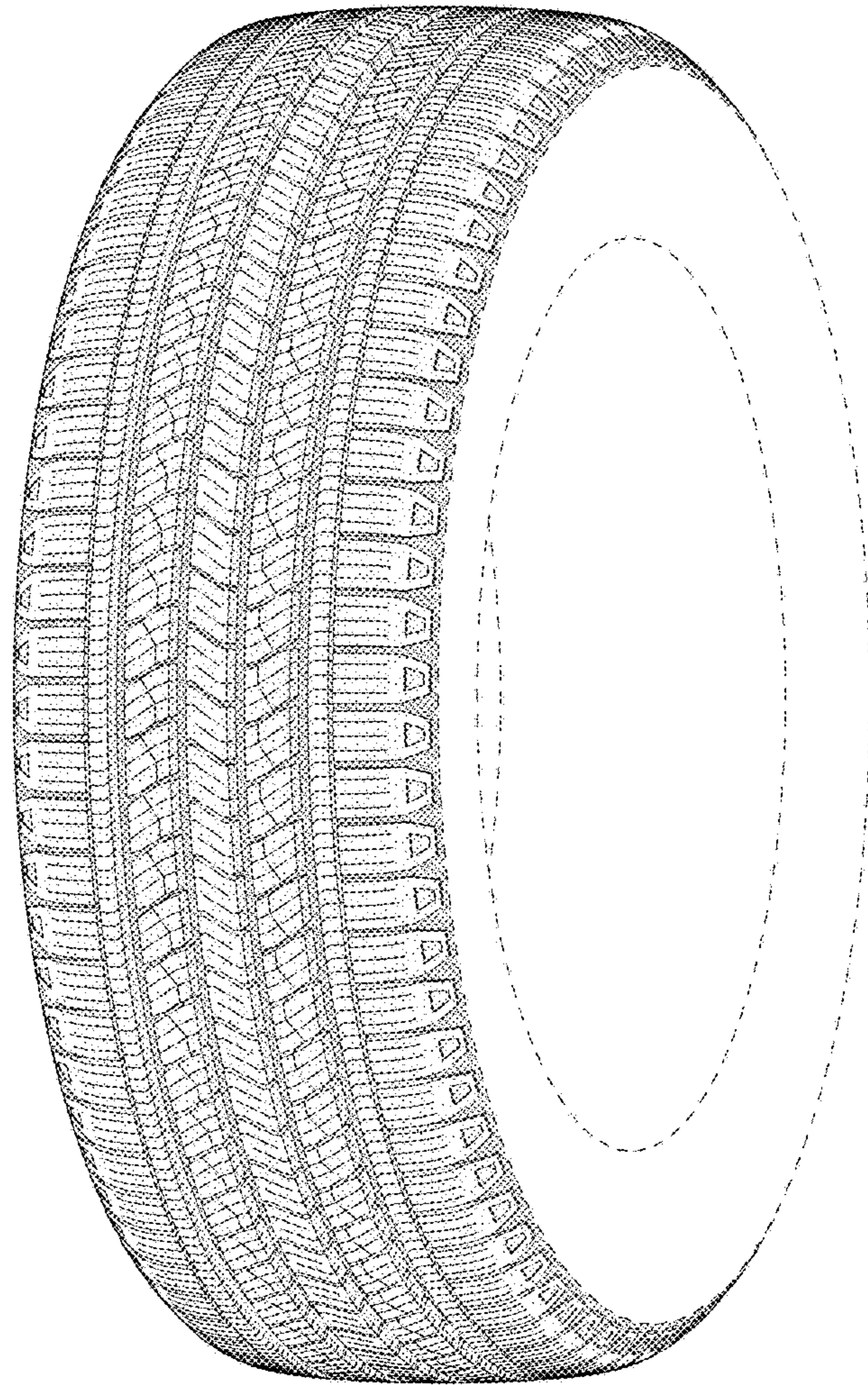


FIG - 1

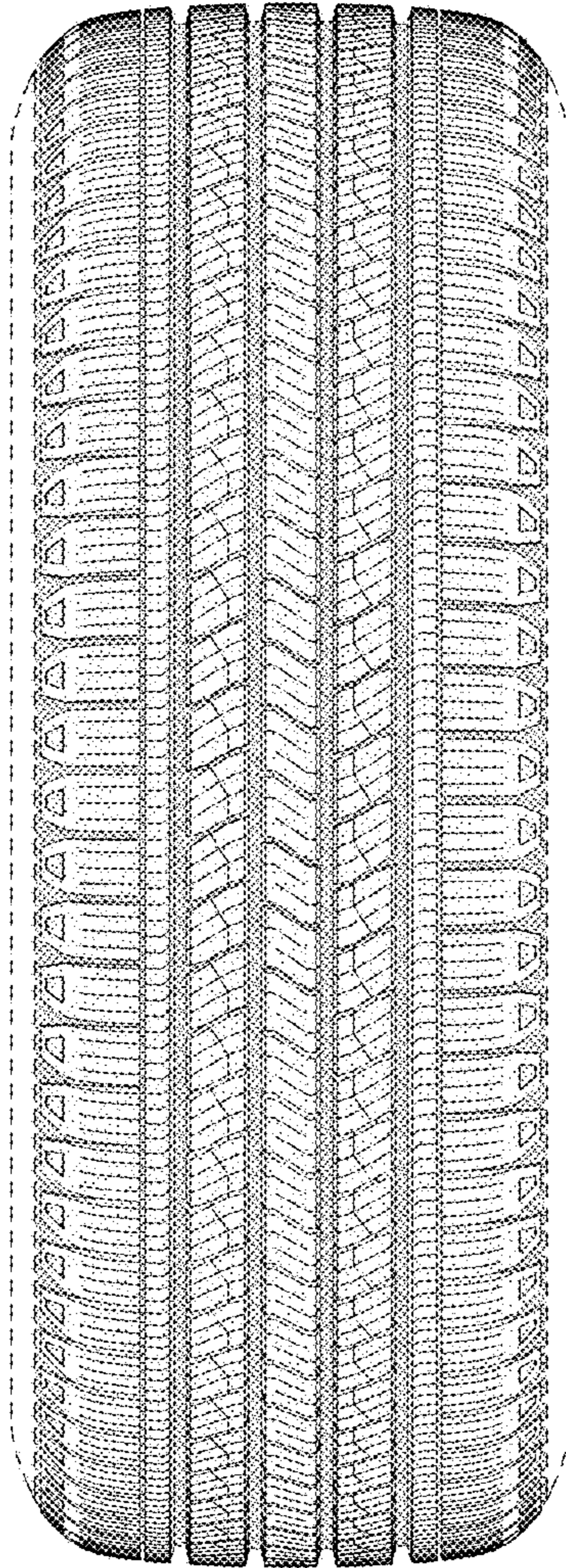


FIG - 2

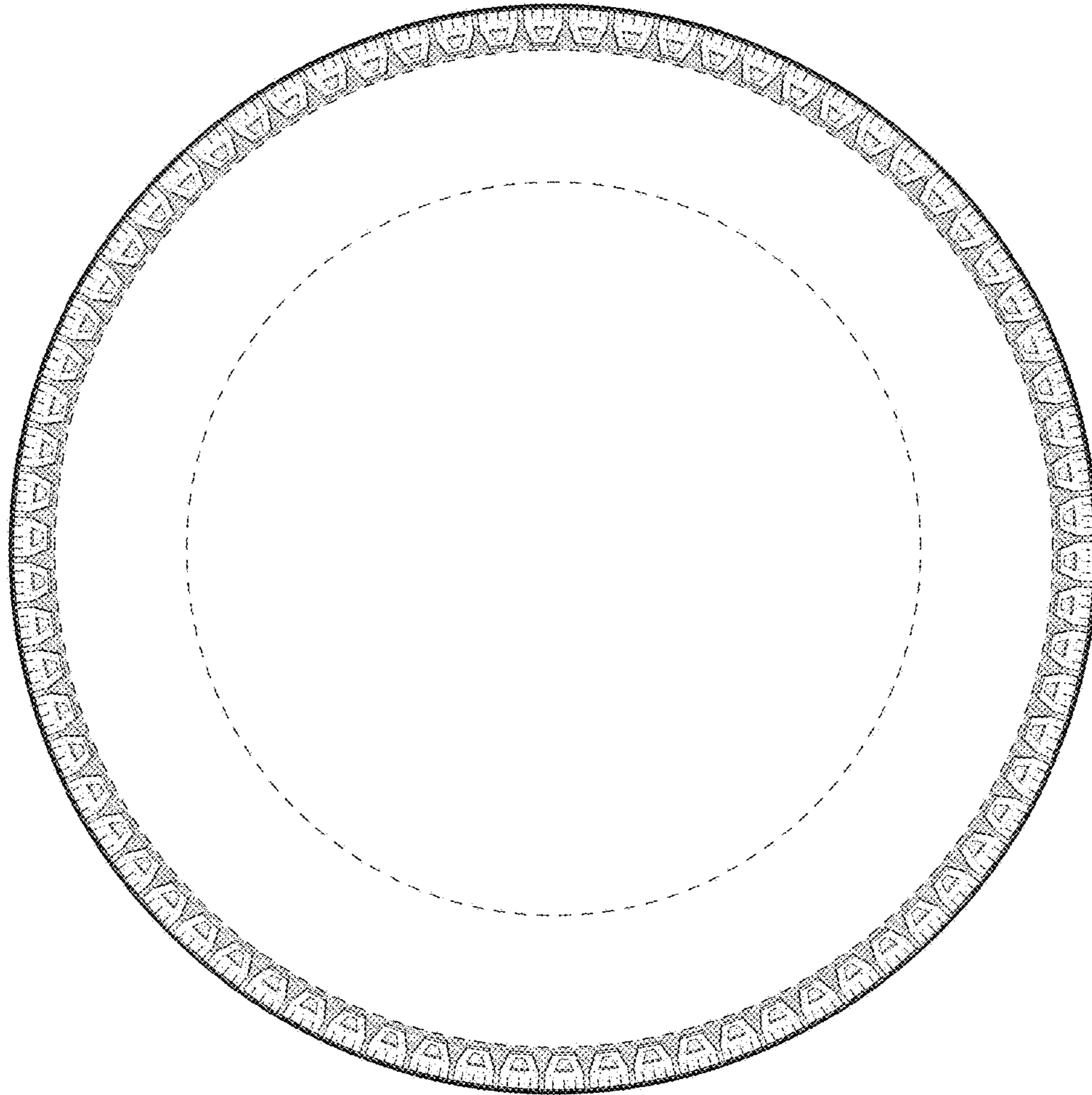


FIG - 3

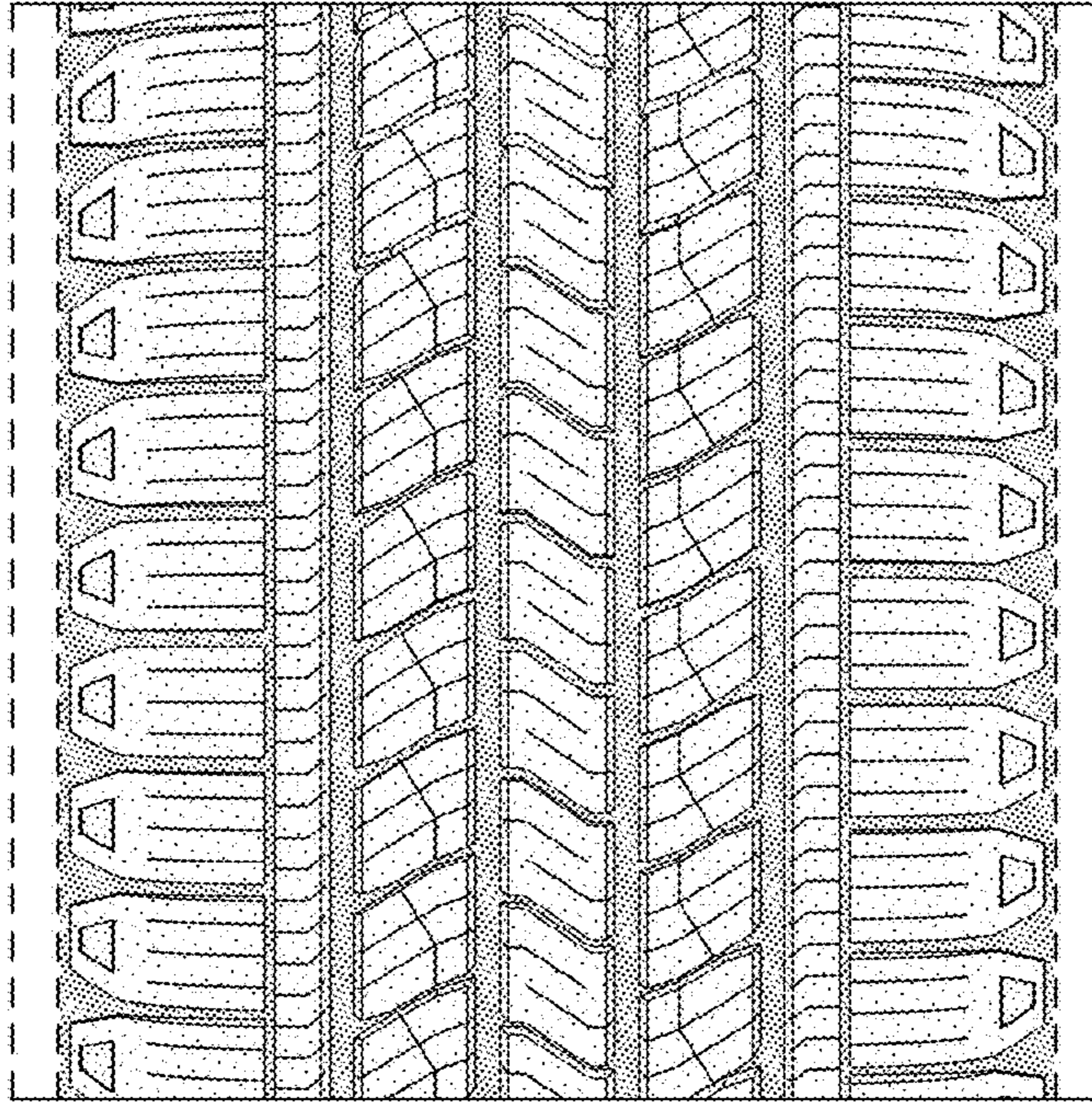


FIG - 4

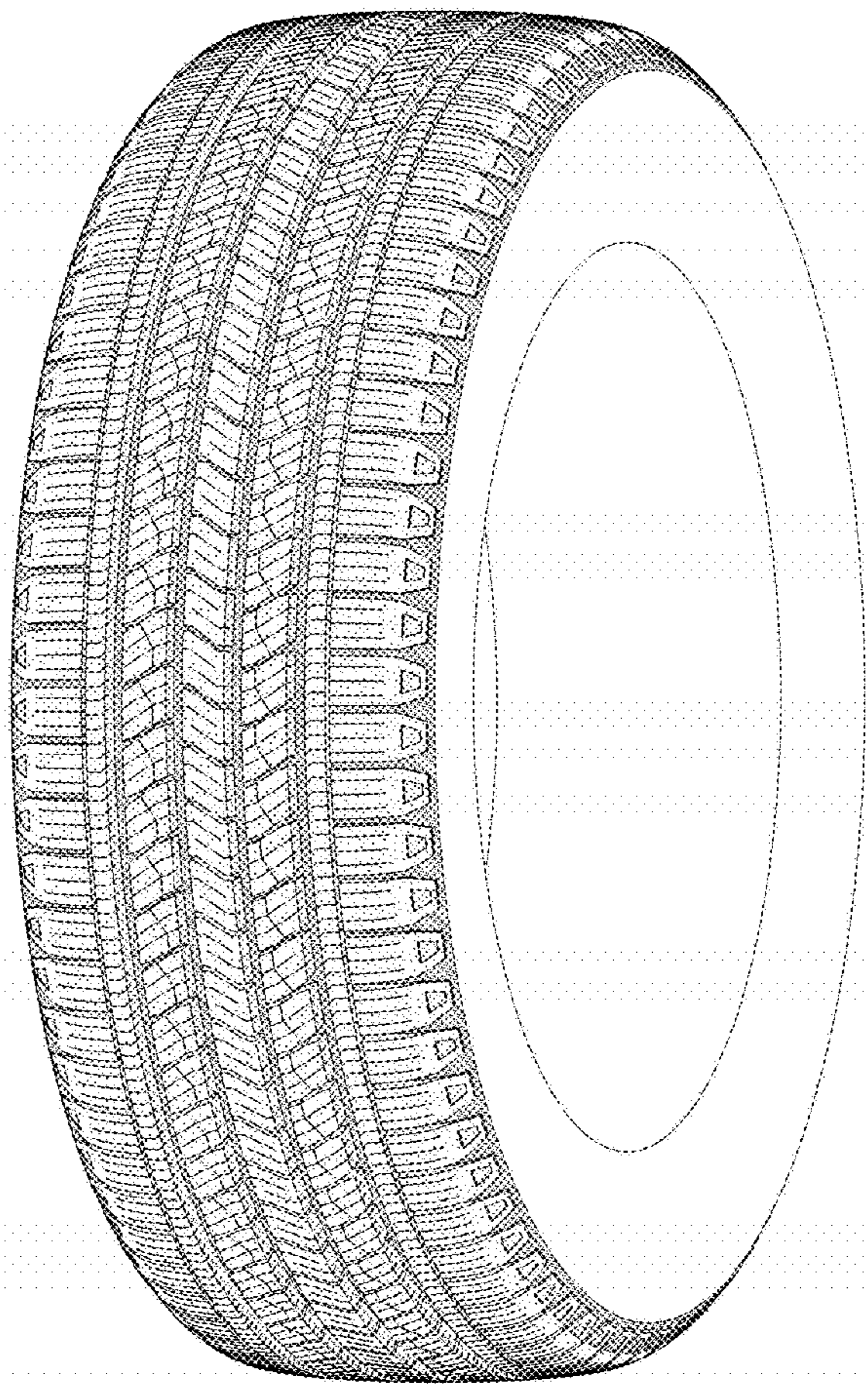


FIG - 5

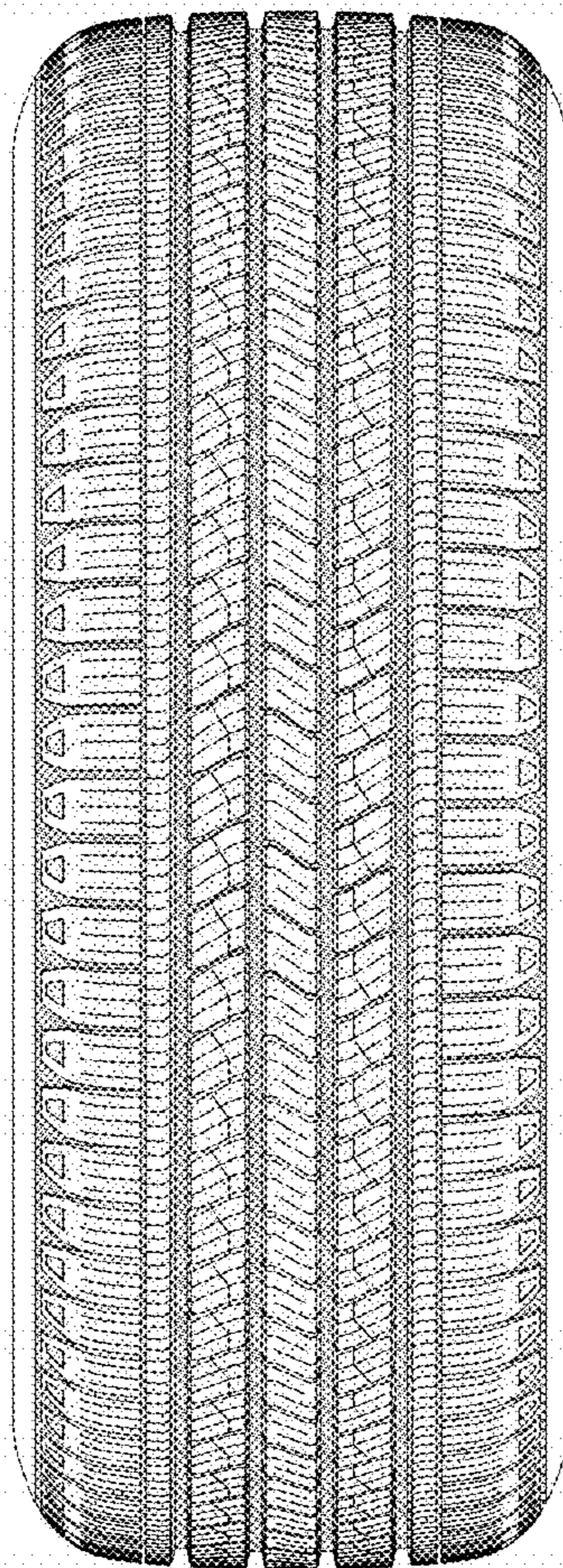


FIG - 6