



US00D853946S

(12) **United States Design Patent**
Becker et al.

(10) **Patent No.:** **US D853,946 S**
(45) **Date of Patent:** **** Jul. 16, 2019**

- (54) **TIRE**
- (71) Applicant: **The Goodyear Tire & Rubber Company, Akron, OH (US)**
- (72) Inventors: **Marc Becker, Trier (DE); Fabrice Gabriele, Aywaille (BE)**
- (73) Assignee: **The Goodyear Tire & Rubber Company, Akron, OH (US)**
- (**) Term: **15 Years**
- (21) Appl. No.: **29/628,871**
- (22) Filed: **Dec. 8, 2017**
- (51) **LOC (11) Cl.** **12-15**
- (52) **U.S. Cl.**
USPC **D12/588**
- (58) **Field of Classification Search**
USPC D12/568, 574-604
CPC Y10T 152/10027; B60C 1/0016; B60C 11/0306; B60C 11/0302; B60C 3/06; B60C 9/17
See application file for complete search history.

D728,462 S 5/2015 Mathonet et al. D12/588
D737,756 S 9/2015 Mathonet et al. D12/601
D738,294 S * 9/2015 Koog D12/601

(Continued)

Primary Examiner — Brandon M Rosati
Assistant Examiner — John A Voytek
(74) *Attorney, Agent, or Firm* — Robert N. Lipsik

(57) **CLAIM**

The ornamental design for a tire, as shown and described.

DESCRIPTION

FIG. 1 is a perspective view of a tire showing our new design, it being understood that the pattern repeats uniformly throughout the circumference of the tread;
FIG. 2 is a front elevational view thereof;
FIG. 3 is a right side elevational view thereof; the left side elevational view being identical thereto;
FIG. 4 is an enlarged fragmentary front elevational view thereof;
FIG. 5 is a perspective view of a second embodiment of a tire showing our new design, it being understood that the interior of the tire forms no part of the claim, that the pattern repeats uniformly throughout the circumference of the tread and that the opposite side view is identical thereto;
FIG. 6 is a front elevational view of a second embodiment, it being understood that an enlarged fragmentary view thereof would be substantially identical to that shown in FIG. 4, with the exception of the inclusion of the sidewall in the claim; and,
FIG. 7 is a cross-sectional view taken along line 7-7 of FIG. 4.

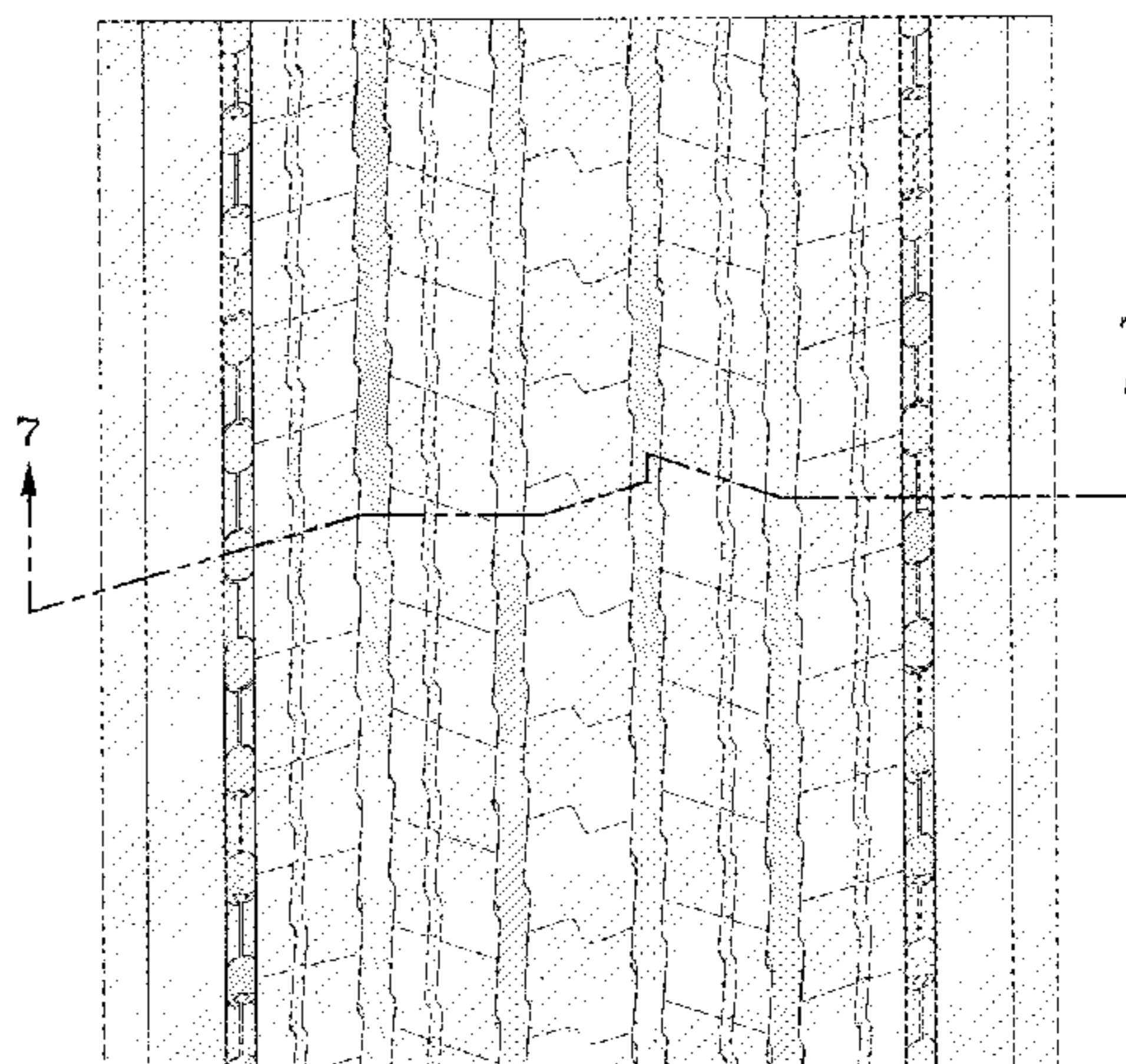
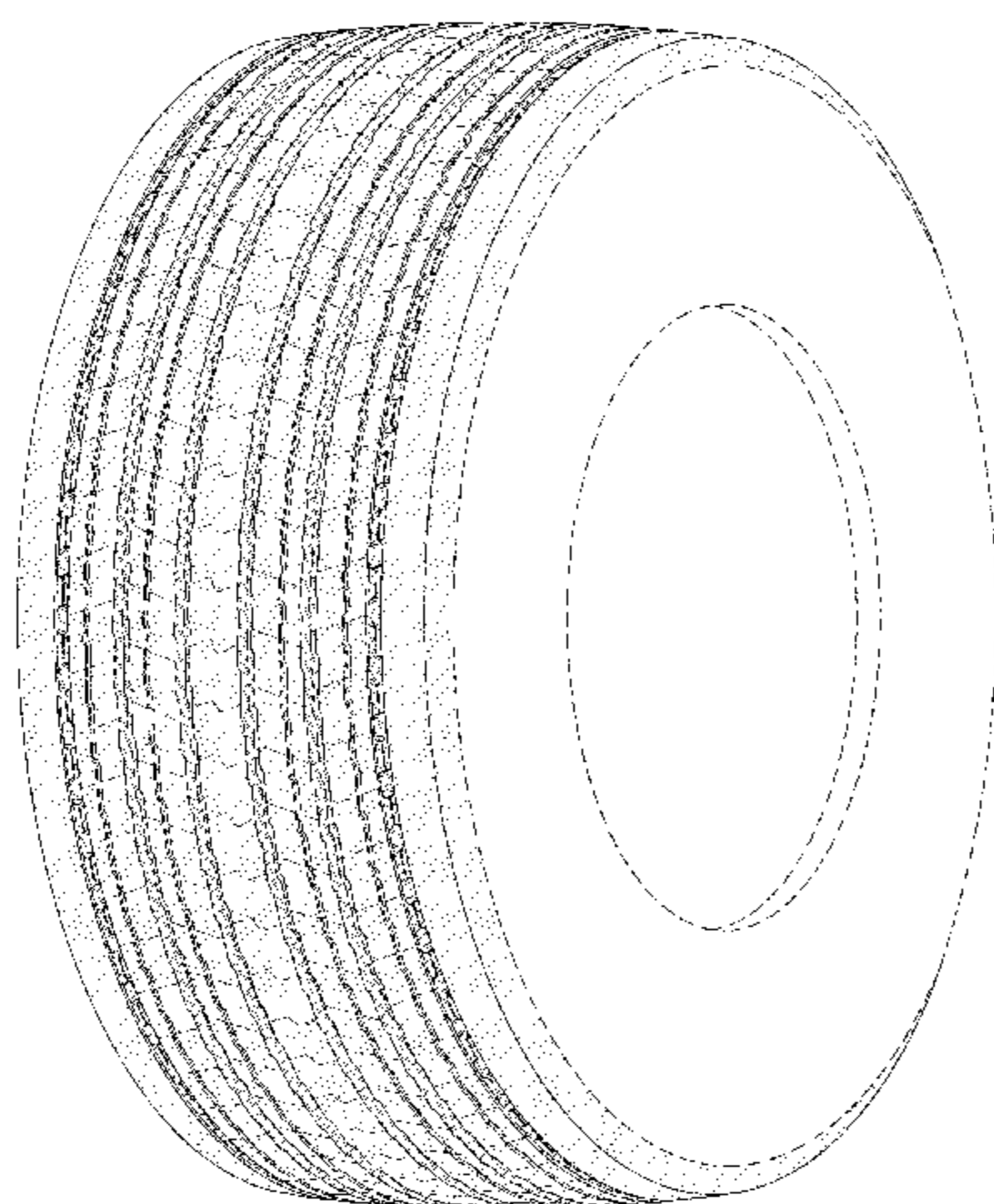
In the drawings, the broken lines immediately adjacent to the outer edges of the tire shoulder represent boundaries of the claim, and the broken lines depict environmental subject matter only and form no part of the claimed design.

(56) **References Cited**

U.S. PATENT DOCUMENTS

D459,295 S	6/2002	Rodicq et al.	D12/590
D481,670 S	11/2003	Harden, Jr. et al.	D12/595
D555,078 S	11/2007	Radulescu et al.	D12/553
D585,816 S	2/2009	Campana	D12/584
D597,479 S	8/2009	Scharis	D12/586
D599,282 S	9/2009	Nicolas	D12/588
D601,950 S *	10/2009	Pressley	D12/588
D644,599 S *	9/2011	Nicolas	D12/601
D644,600 S	9/2011	Nicolas et al.	D12/602
D647,040 S	10/2011	Mathonet et al.	D12/588
D647,464 S	10/2011	Scharis et al.	D12/585
D648,264 S	11/2011	Le et al.	D12/588
D675,560 S *	2/2013	Kato	D12/590
D676,802 S *	2/2013	Takei	D12/588

1 Claim, 7 Drawing Sheets



(56)

References Cited

U.S. PATENT DOCUMENTS

D738,814 S	*	9/2015	Otani	D12/595
D741,791 S		10/2015	Severyn	D12/601
D742,813 S	*	11/2015	Tian	D12/601
D747,261 S	*	1/2016	Barrett	D12/590
D763,784 S		8/2016	Mathonet et al.	D12/603
D764,393 S		8/2016	Madar et al.	D12/588
D764,397 S		8/2016	Dixon et al.	D12/601
D770,371 S		11/2016	Mathonet et al.	D12/601
D789,285 S		6/2017	Becker et al.	D12/588
D815,021 S	*	4/2018	Oji	D12/588
D817,261 S	*	5/2018	Becker	D12/553
D821,297 S	*	6/2018	Le	D12/588
D822,586 S	*	7/2018	Becker	D12/588
D837,137 S	*	1/2019	Becker	D12/601

* cited by examiner

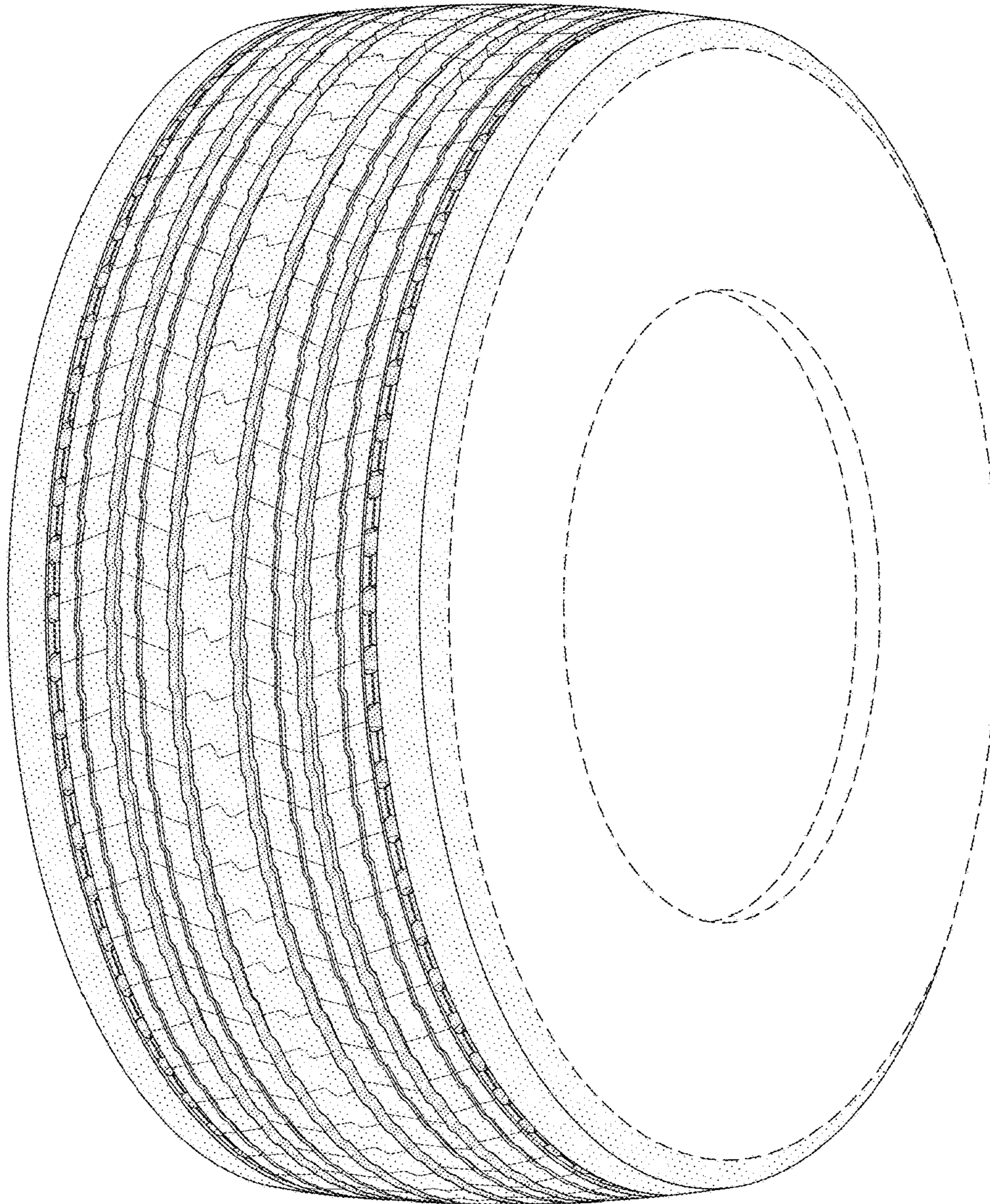


FIG-1

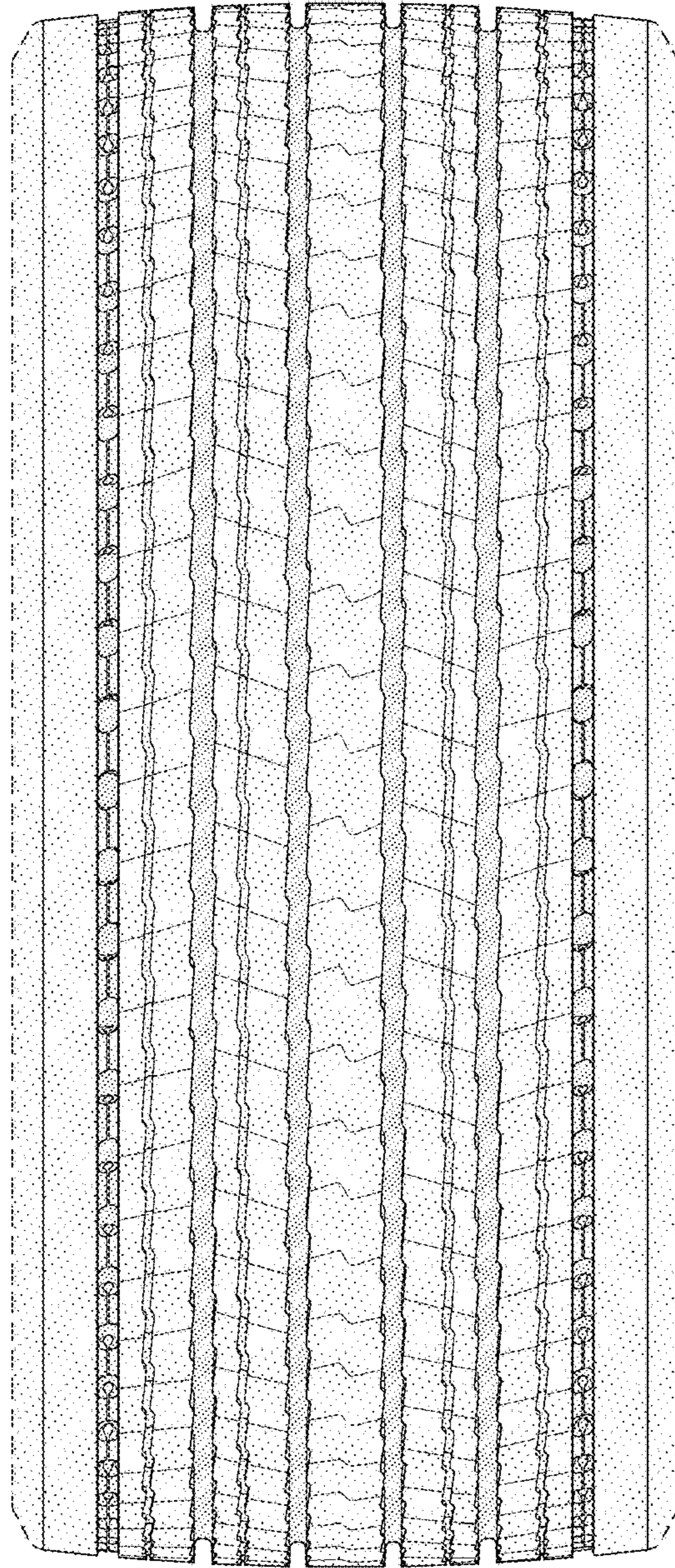


FIG-2

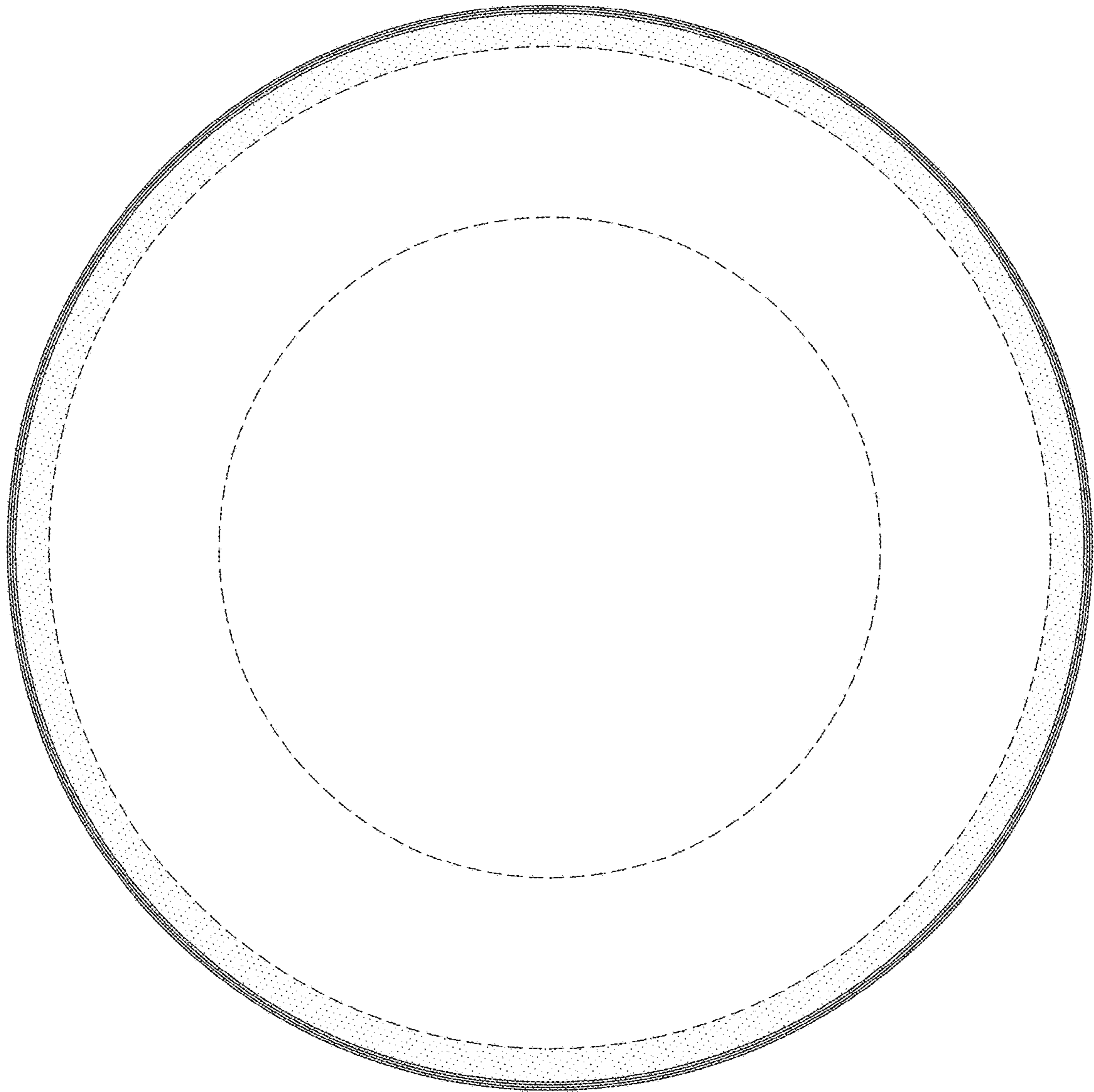


FIG-3

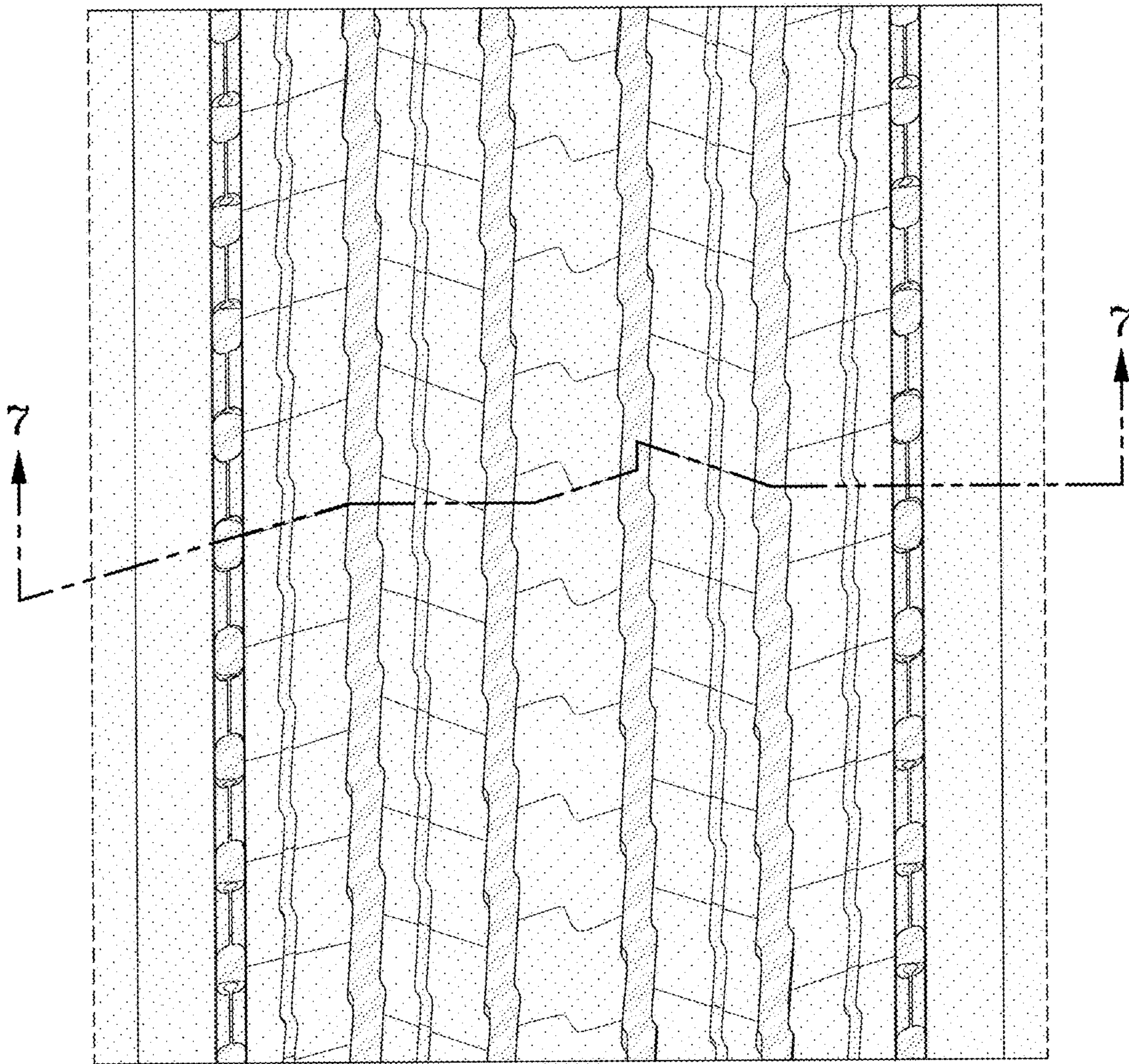


FIG-4

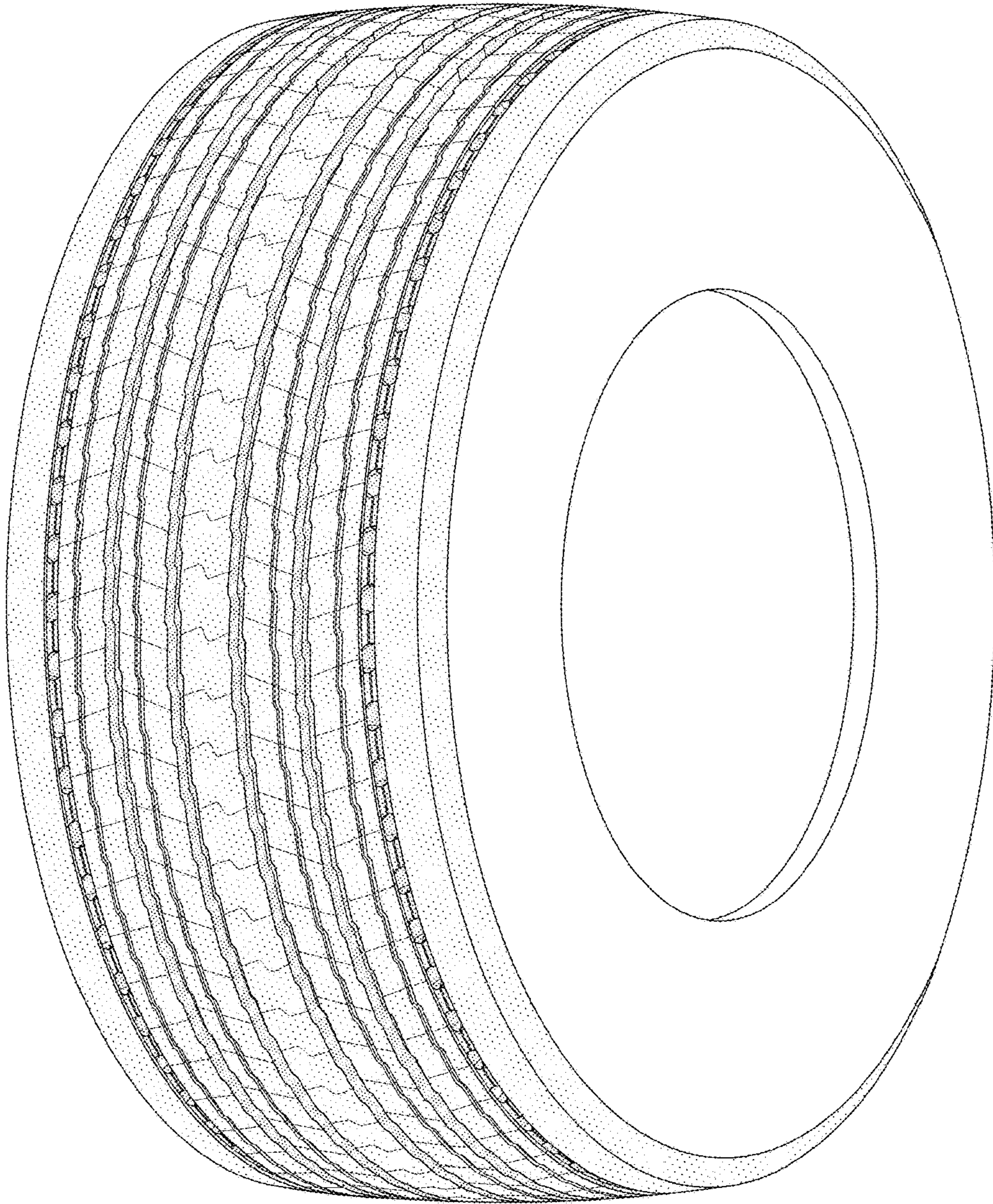


FIG-5

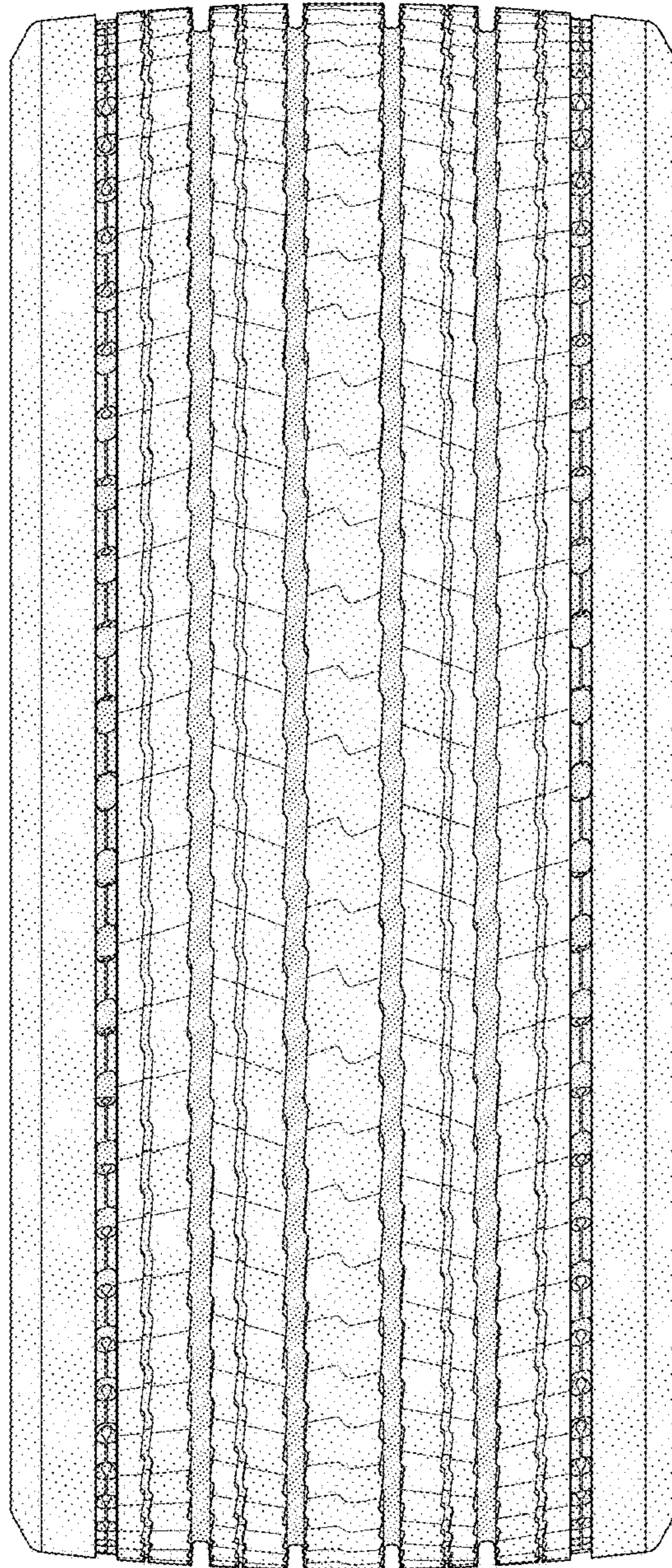


FIG-6

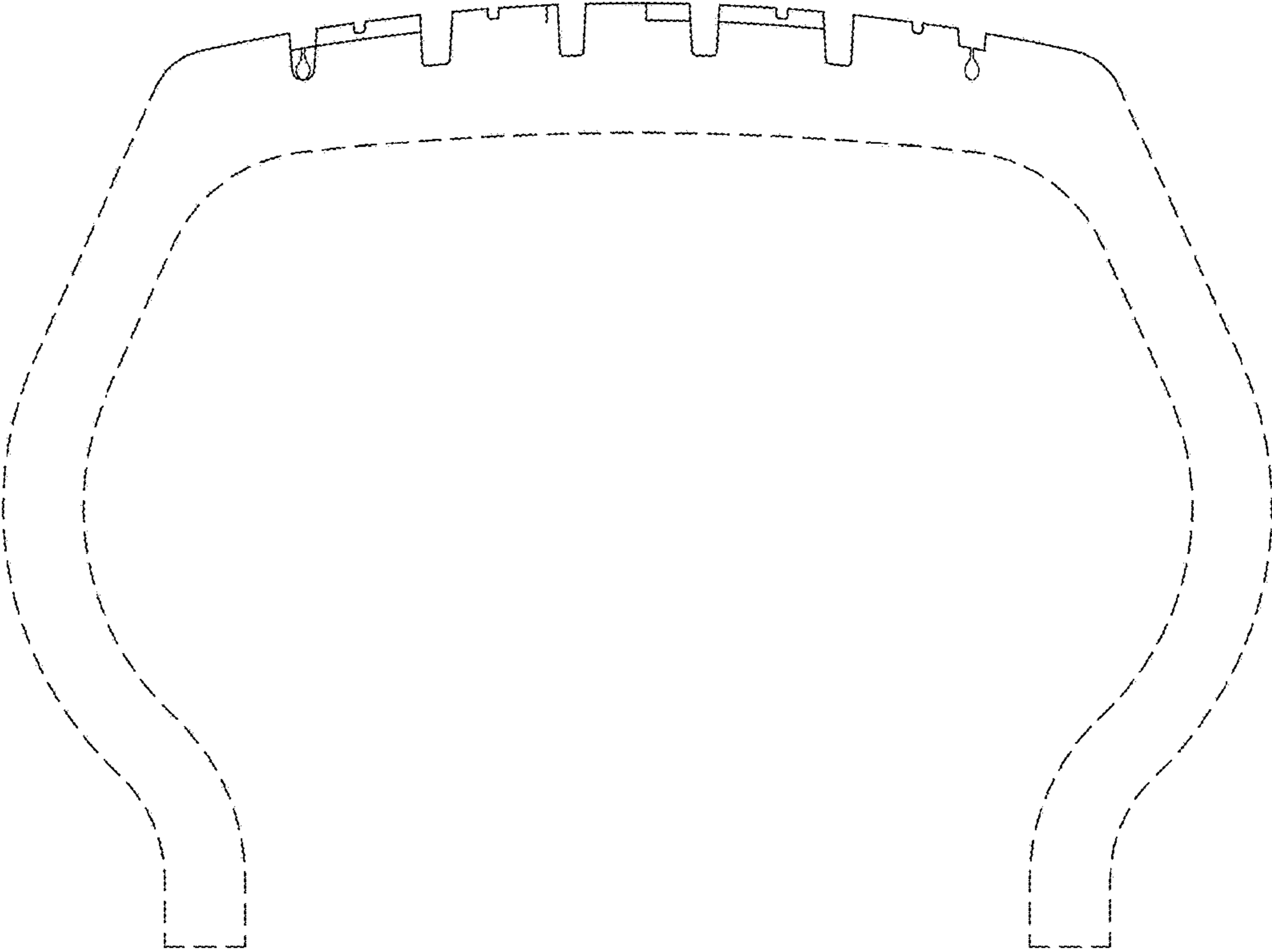


FIG-7