



US00D853941S

(12) **United States Design Patent** (10) **Patent No.:** **US D853,941 S**
de Briey-Terlinden et al. (45) **Date of Patent:** **** Jul. 16, 2019**

(54) **TIRE**
(71) Applicant: **The Goodyear Tire & Rubber Company, Akron, OH (US)**

D379,787 S 6/1997 Maxwell et al. D12/147
D387,714 S 12/1997 Heinen D12/147
D418,782 S * 1/2000 Williams D12/565
(Continued)

(72) Inventors: **Pascale de Briey-Terlinden**, Attert (BE); **Stephane Jose Geelen**, Redange sur Attert (LU); **Jerome Marcel Germain Delu**, Bridel (LU); **Sven Schaefer-O'Reilly**, Bissen (LU); **Ananth Bhagavathapuram Srisailapathy**, Ettelbruck (LU); **Carine Yvonne Jeanne Wagner**, Dudelange (LU); **Camille Etienne**, Arlon (BE)

OTHER PUBLICATIONS

U.S. Appl. No. 29/608,877, filed Jun. 27, 2017.
U.S. Appl. No. 29/608,881, filed Jun. 27, 2017.

Primary Examiner — George D. Kirschbaum
Assistant Examiner — Joseph J Kukella
(74) *Attorney, Agent, or Firm* — Robert N. Lipsik

(73) Assignee: **The Goodyear Tire & Rubber Company, Akron, OH (US)**

(57) **CLAIM**

The ornamental design for a tire, as shown and described.

(**) Term: **15 Years**

DESCRIPTION

(21) Appl. No.: **29/647,028**

FIG. 1 is a perspective view of a tire showing our new design, it being understood that the pattern repeats uniformly throughout the circumference of the tread;
FIG. 2 is a front elevational view thereof;
FIG. 3 is a right side elevational view thereof; the left side elevational view being a mirror image thereof;
FIG. 4 is an enlarged fragmentary front elevational view thereof;
FIG. 5 is a perspective view of a second embodiment of a tire showing our new design, it being understood that the interior of the tire forms no part of the claim, that the pattern repeats uniformly throughout the circumference of the tread and that the opposite side view is a mirror image thereof; and,
FIG. 6 is a front elevational view of a second embodiment, it being understood that an enlarged fragmentary view thereof would be substantially identical to that shown in FIG. 4, with the exception of the inclusion of the sidewall in the claim.

(22) Filed: **May 9, 2018**

(51) **LOC (11) Cl.** **12-15**

(52) **U.S. Cl.**
USPC **D12/565**

(58) **Field of Classification Search**
USPC D12/533–567
CPC B60C 11/0302; B60C 2011/0358; B60C 2011/0374; B60C 2011/0386; B60C 2011/0388
See application file for complete search history.

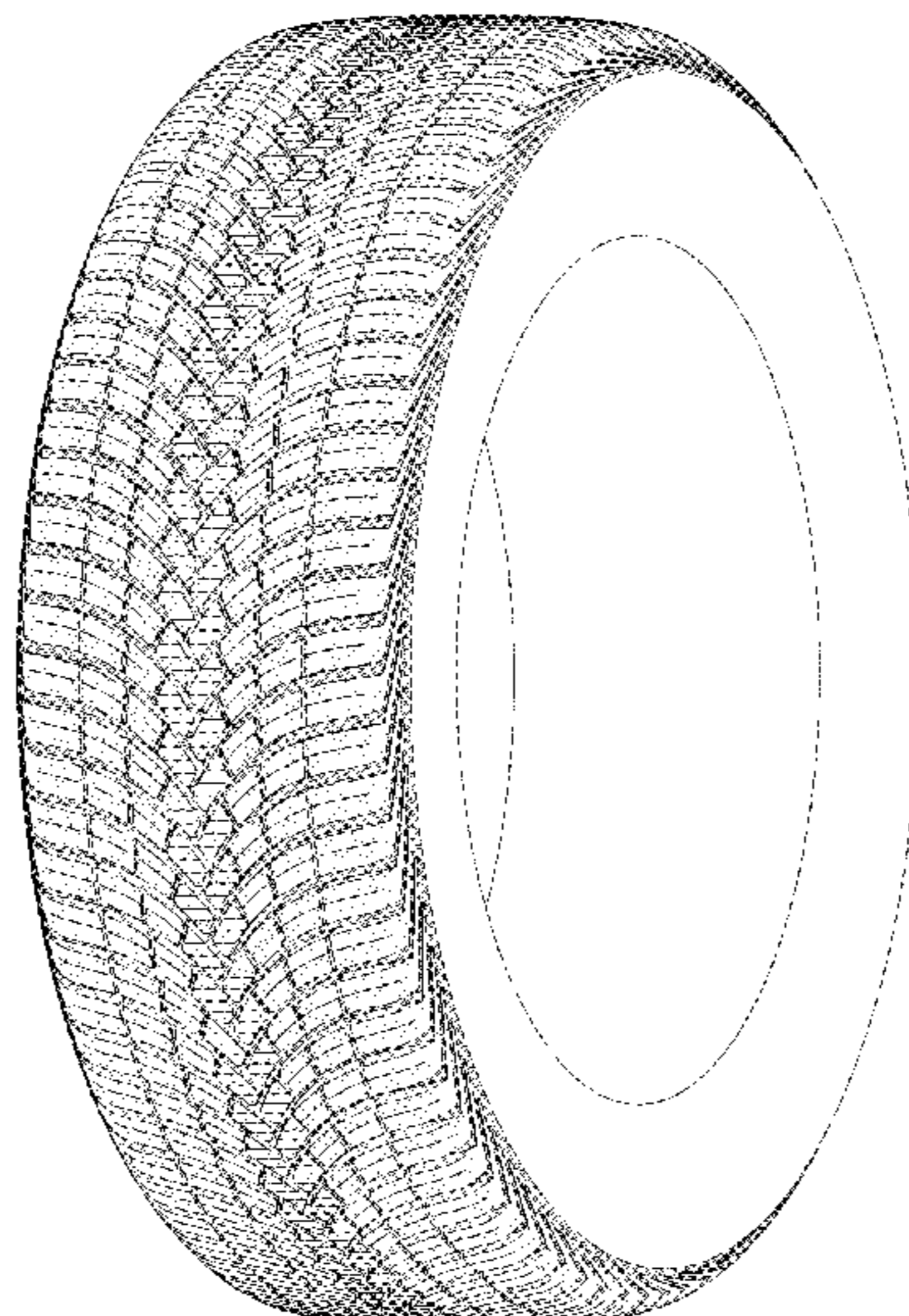
In the drawings, the broken lines immediately adjacent to the outer edges of the tire shoulder represent boundaries of the claim, and the broken lines depict environmental subject matter only and form no part of the claimed design.

(56) **References Cited**

U.S. PATENT DOCUMENTS

D355,876 S * 2/1995 Diensthuber D12/563
D361,966 S 9/1995 Graas et al. D12/146
D362,420 S 9/1995 Heinen et al. D12/147
D379,448 S 5/1997 Graas et al. D12/147
D379,449 S 5/1997 Graas et al. D12/151

1 Claim, 6 Drawing Sheets



(56)

References Cited

U.S. PATENT DOCUMENTS

D429,194 S	8/2000	Heinen et al.	D12/147	D597,929 S	8/2009	Diensthuber et al.	D12/566
D429,478 S	8/2000	Heinen et al.	D12/147	D600,195 S	9/2009	Fontaine et al.	D12/564
D431,800 S	10/2000	Heinen et al.	D12/147	D601,946 S	10/2009	Fontaine et al.	D12/553
D441,328 S	5/2001	Heinen et al.	D12/146	D606,007 S	12/2009	Fontaine et al.	D12/564
D441,695 S	5/2001	Heinen et al.	D12/147	D610,964 S	3/2010	Dixon et al.	D12/552
D450,032 S	11/2001	Heinen et al.	D12/550	D622,657 S	8/2010	Leocadio et al.	D12/553
D450,293 S *	11/2001	Williams	D12/565	D635,912 S	4/2011	Knispel	D12/564
D451,068 S	11/2001	Heinen et al.	D12/547	D640,184 S	6/2011	de Briey-Terlinden	D12/563
D452,198 S	12/2001	Heinen et al.	D12/146	D640,966 S	7/2011	Fontaine et al.	D12/563
D455,116 S	4/2002	Graas et al.	D12/553	D641,305 S	7/2011	de Briey-Terlinden	D12/547
D504,106 S	4/2005	de Briey-Terlinden et al.	D12/553	D662,453 S	6/2012	Takei	D12/552
				D662,454 S	6/2012	Fontaine et al.	D12/553
D504,387 S	4/2005	Welbes et al.	D12/549	D670,235 S	11/2012	de Briey-Terlinden	D12/567
D504,866 S	5/2005	Collette et al.	D12/553	D702,625 S	4/2014	Leconte et al.	D12/564
D505,112 S	5/2005	Heinen et al.	D12/567	D702,626 S	4/2014	de Briey-Terlinden	D12/567
D533,131 S	12/2006	Fontaine et al.	D12/588	D716,720 S *	11/2014	Seng	D12/563
D548,677 S	8/2007	Welbes et al.	D12/553	D718,224 S	11/2014	Guichon et al.	D12/563
D548,678 S	8/2007	Welbes et al.	D12/553	D720,685 S	1/2015	Fontaine et al.	D12/565
D548,679 S	8/2007	de Briey-Terlinden	D12/553	D721,639 S	1/2015	Caron et al.	D12/565
D551,613 S *	9/2007	Lo	D12/564	D722,554 S	2/2015	Knispel et al.	D12/564
D556,669 S *	12/2007	Fugier	D12/512	D722,555 S	2/2015	Knispel et al.	D12/564
D556,670 S	12/2007	Fontaine et al.	D12/553	D723,453 S	3/2015	Knispel et al.	D12/563
D560,157 S	1/2008	Lo	D12/567	D733,639 S	7/2015	Fontaine et al.	D12/563
D575,726 S	8/2008	Fontaine et al.	D12/564	D733,641 S *	7/2015	Mathonet	D12/565
D579,861 S	11/2008	Haas et al.	D12/553	D746,218 S	12/2015	Raatikainen et al.	D12/545
D579,864 S	11/2008	Haas et al.	D12/566	D754,058 S	4/2016	Caron et al.	D12/563
D589,874 S	4/2009	Fontaine et al.	D12/564	D756,896 S	5/2016	Leconte et al.	D12/564
D591,221 S	4/2009	Fontaine et al.	D12/563	D777,091 S	1/2017	de Briey-Terlinden et al.	D12/563
D591,672 S	5/2009	de Briey-Terlinden	D12/553				
D592,588 S	5/2009	Heinen et al.	D12/564	D777,092 S	1/2017	Leconte et al.	D12/564
D595,639 S	7/2009	de Briey-Terlinden	D12/564	D780,672 S	3/2017	Yoon	D12/563
D595,640 S	7/2009	de Briey-Terlinden	D12/564	D786,181 S	5/2017	Caron et al.	D12/564
D596,109 S	7/2009	de Briey-Terlinden	D12/553	D797,653 S	9/2017	Raatikainen et al.	D12/545
D597,475 S	8/2009	Heinen et al.	D12/553	D810,668 S *	2/2018	Cavro	D12/563
D597,476 S	8/2009	de Briey-Terlinden	D12/553	D811,990 S	3/2018	Raatikainen et al.	D12/564
				D812,548 S	3/2018	Raatikainen et al.	D12/564
				D832,194 S *	10/2018	de Briey-Terlinden	D12/564
				D832,195 S *	10/2018	de Briey-Terlinden	D12/564

* cited by examiner

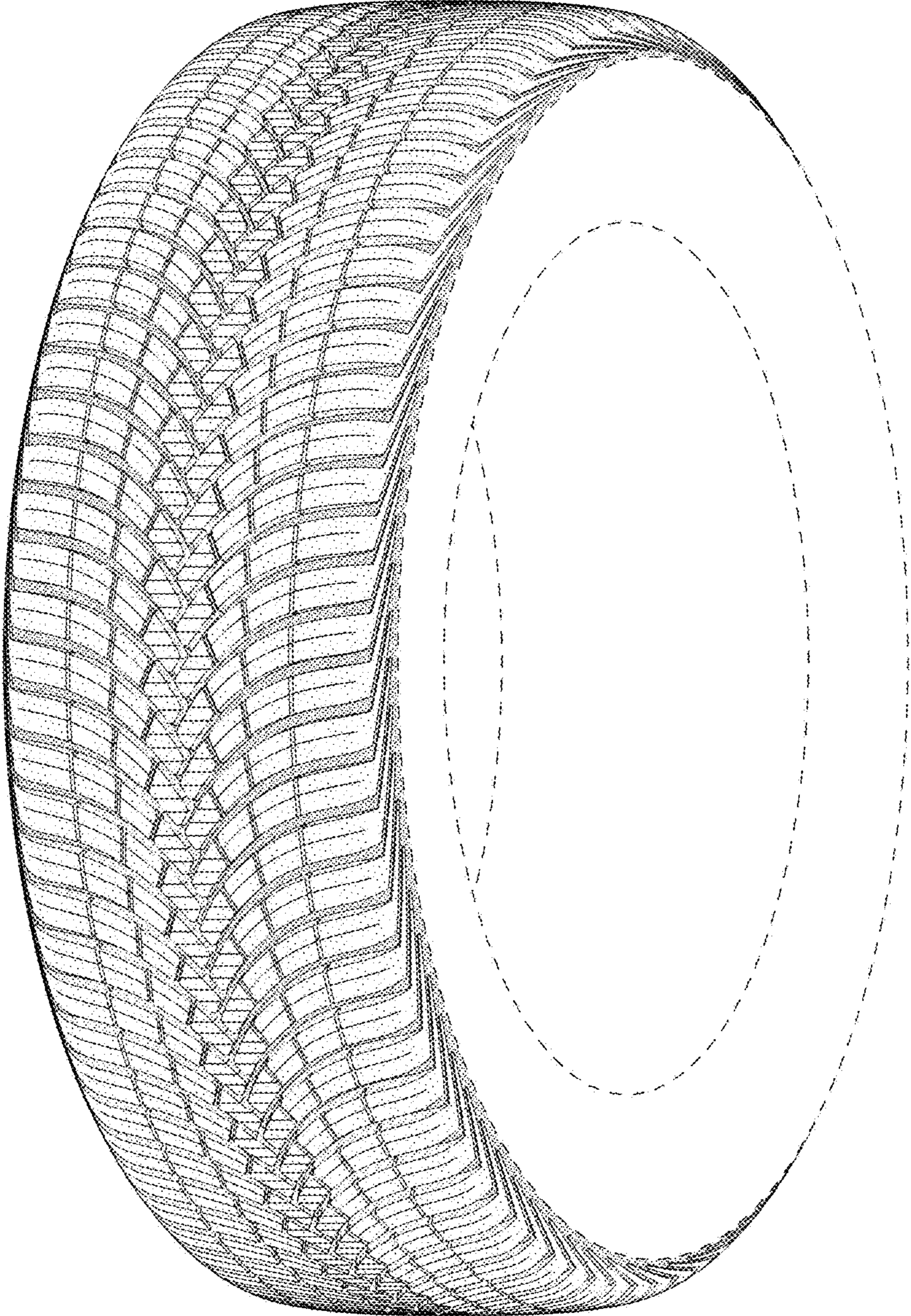


FIG - 1

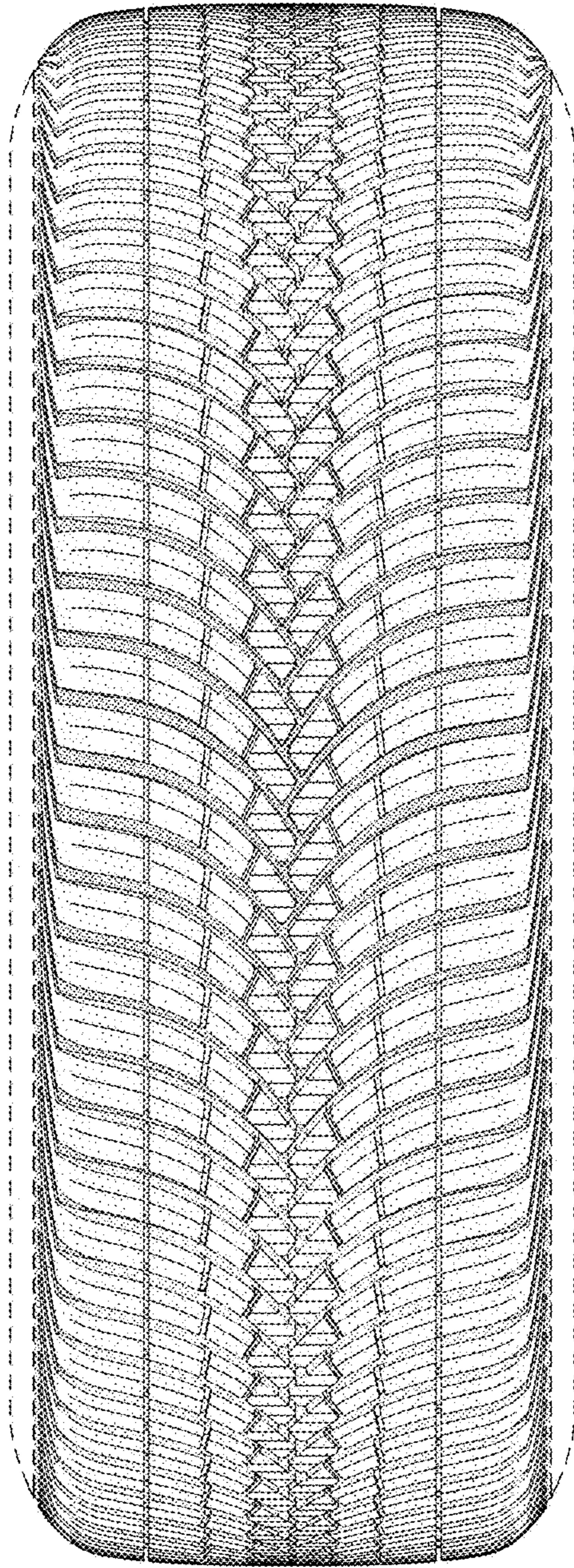


FIG - 2

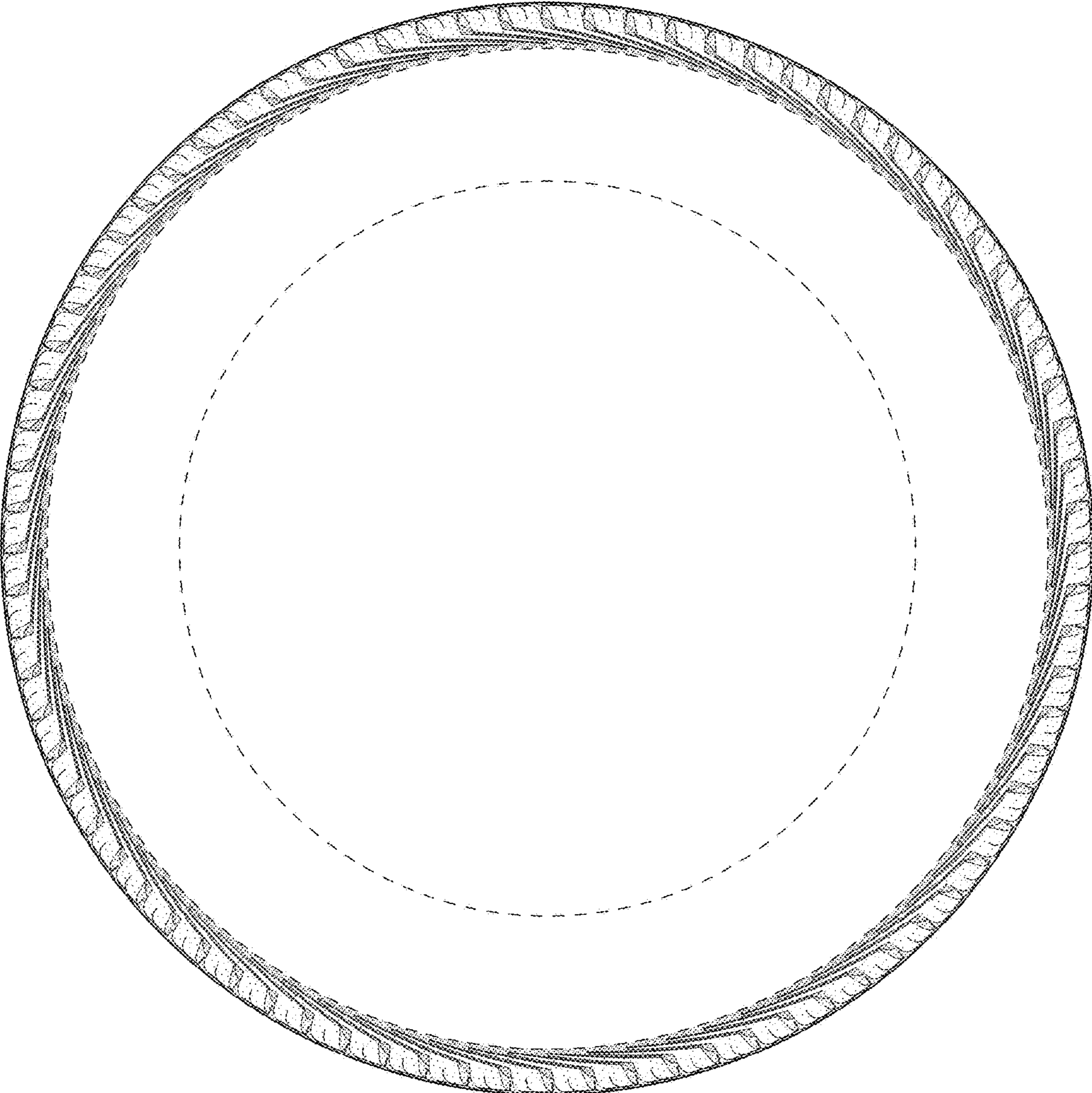


FIG - 3

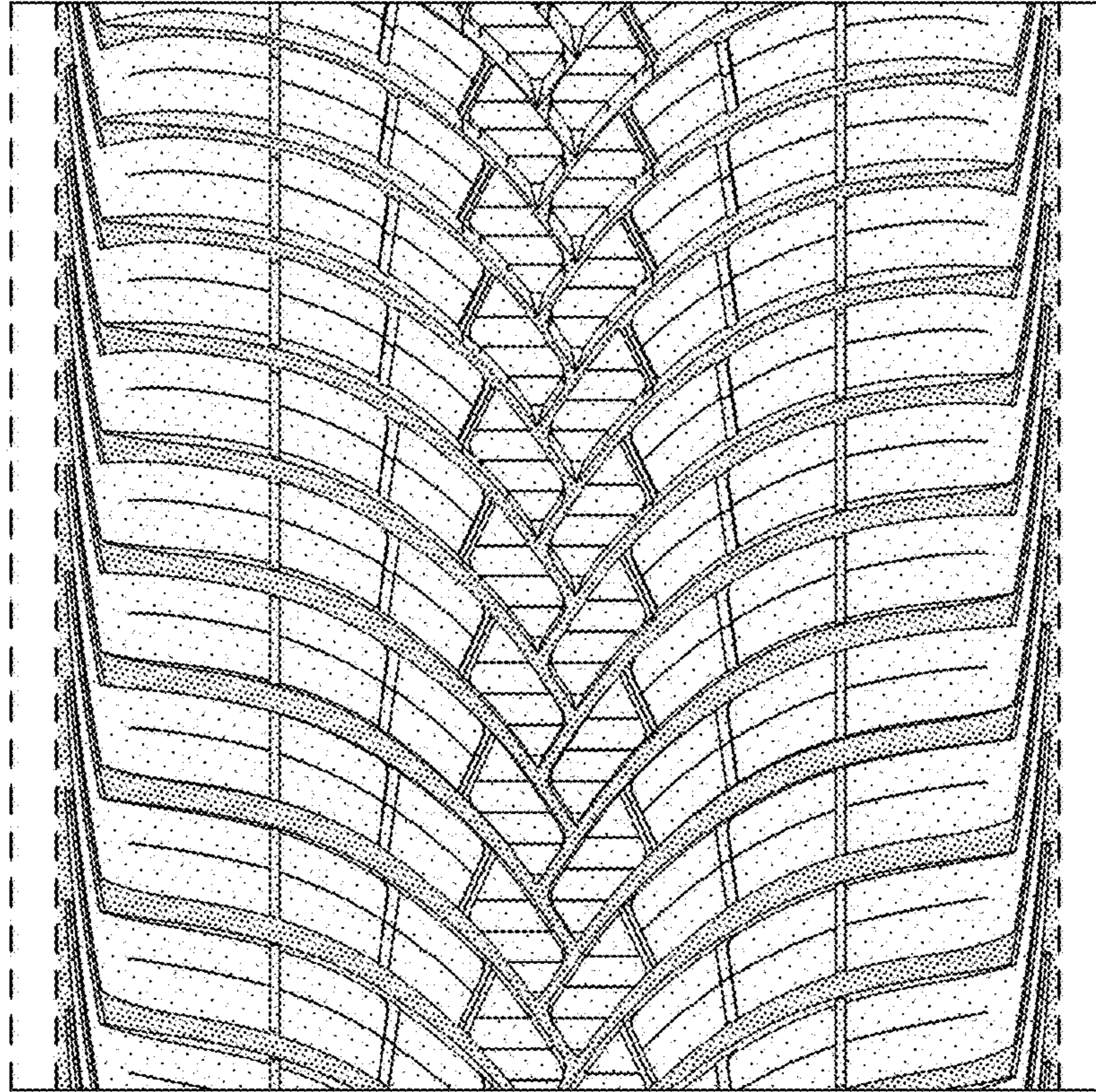


FIG - 4

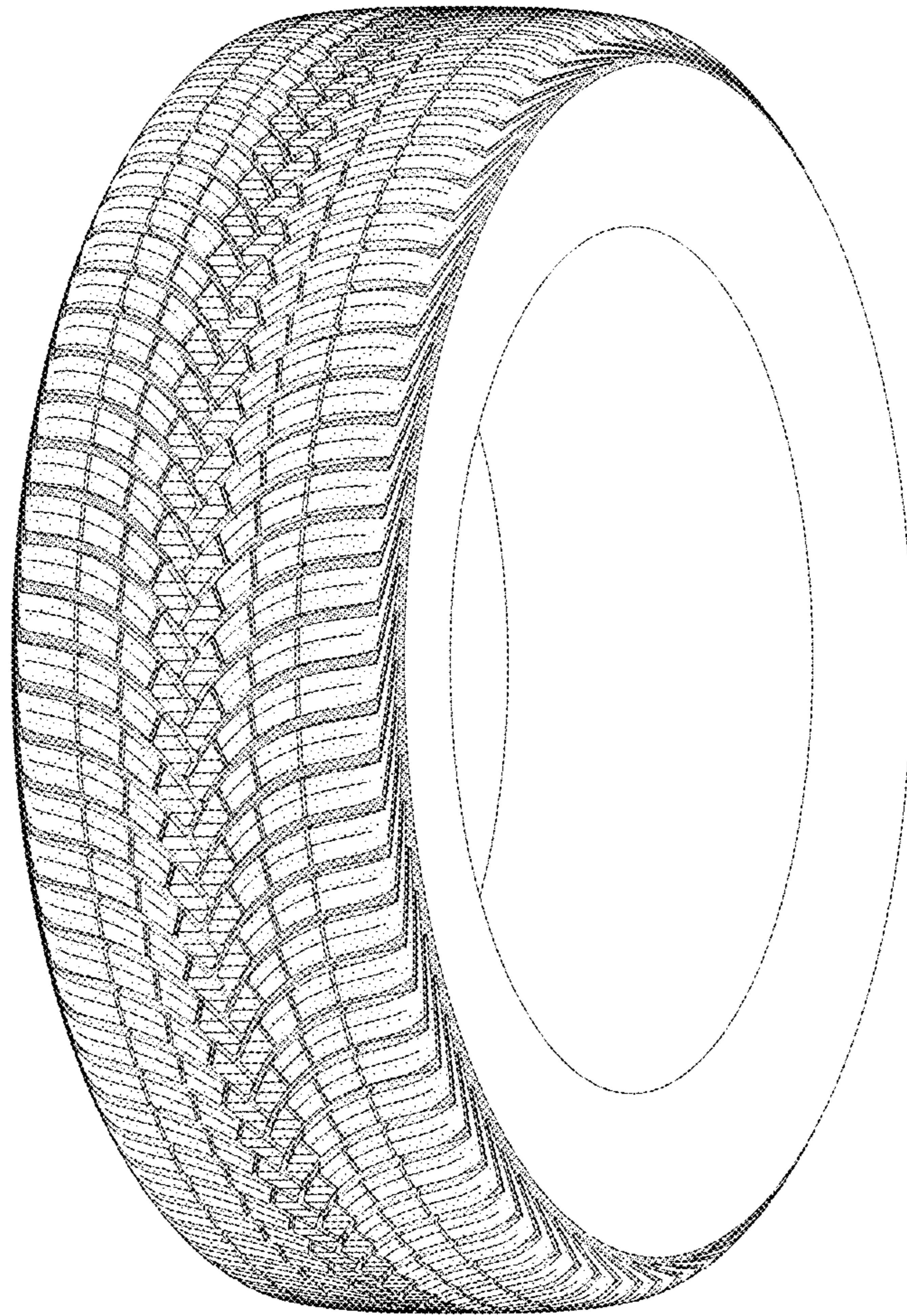


FIG - 5

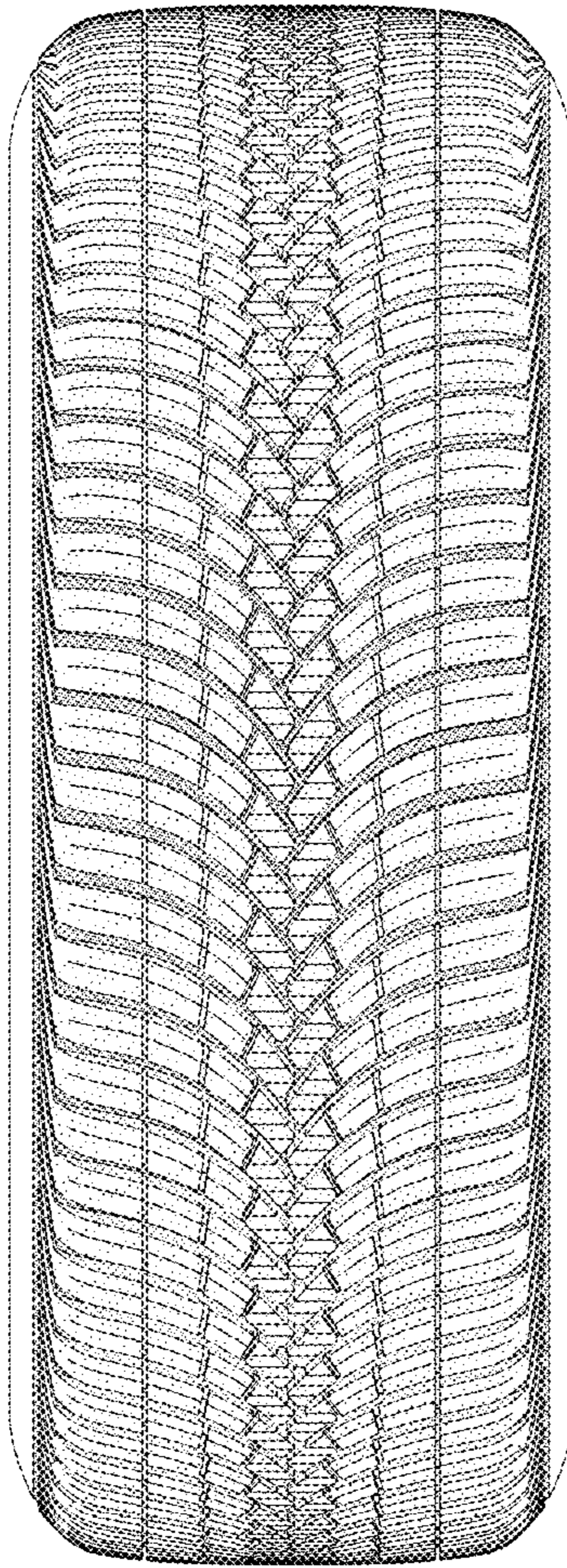


FIG - 6