



US00D853938S

(12) **United States Design Patent** (10) **Patent No.:** **US D853,938 S**  
**Smith** (45) **Date of Patent:** **\*\* Jul. 16, 2019**

(54) **REAR STAND FOR A SPOILER**  
(71) Applicant: **Jaguar Land Rover Limited**, Whitley, Coventry (GB)  
(72) Inventor: **Luke Smith**, Whitley (GB)  
(73) Assignee: **Jaguar Land Rover Limited**, Whitley, Coventry (GB)  
(\*\*) Term: **15 Years**  
(21) Appl. No.: **29/626,869**  
(22) Filed: **Nov. 21, 2017**  
(30) **Foreign Application Priority Data**

Jun. 27, 2017 (EM) ..... 004068492  
(51) **LOC (11) Cl.** ..... **12-06**  
(52) **U.S. Cl.**  
USPC ..... **D12/223**; D12/181  
(58) **Field of Classification Search**  
USPC ..... D12/317, 106, 181, 91, 92, 172, 223;  
D8/349, 354, 382  
CPC ..... B62D 35/00; B62D 35/007  
See application file for complete search history.

(56) **References Cited**  
U.S. PATENT DOCUMENTS  
6,520,564 B1 \* 2/2003 Liang ..... B62D 35/00  
180/903  
7,213,870 B1 \* 5/2007 Williams ..... B62D 35/007  
296/180.3  
D577,314 S \* 9/2008 Taylor ..... D12/88  
D601,936 S \* 10/2009 Mirabal ..... D12/223  
D607,386 S \* 1/2010 Kulla ..... D12/181  
D623,557 S \* 9/2010 Kulla ..... D12/92  
D638,773 S \* 5/2011 Laverack ..... D12/223  
D656,439 S \* 3/2012 Saracoglu ..... D12/181  
D661,228 S \* 6/2012 Armbruster ..... D12/92  
D663,240 S \* 7/2012 Scheinhutte ..... D12/92

D717,698 S \* 11/2014 Beaven ..... D12/92  
D757,631 S \* 5/2016 Jamieson ..... D12/223  
D823,168 S \* 7/2018 Bischoff ..... D12/92  
D824,288 S \* 7/2018 Hauser ..... D12/92  
2004/0256885 A1 \* 12/2004 Bui ..... B62D 35/007  
296/180.5  
2005/0110301 A1 \* 5/2005 Dringenberg ..... B62D 35/007  
296/180.5  
2009/0086499 A1 \* 4/2009 Lin ..... B62D 35/007  
362/487  
2017/0297636 A1 \* 10/2017 Shinedling ..... B62D 35/007  
2018/0118281 A1 \* 5/2018 Lee ..... B62D 35/007

\* cited by examiner

*Primary Examiner* — Sandra S Snapp  
*Assistant Examiner* — Ieisha N Price  
(74) *Attorney, Agent, or Firm* — Wood Herron & Evans LLP

(57) **CLAIM**

The ornamental design for a rear stand for a spoiler, as shown and described.

**DESCRIPTION**

FIG. 1 is a front right perspective view of a rear stand for a spoiler according to the present invention.  
FIG. 2 is a front left perspective view of the rear stand for a spoiler shown in FIG. 1.  
FIG. 3 is a rear right perspective view thereof.  
FIG. 4 is a front left bottom perspective view thereof.  
FIG. 5 is a front view thereof.  
FIG. 6 is a rear view thereof.  
FIG. 7 is a left side view thereof.  
FIG. 8 is a right side view thereof.  
FIG. 9 is a top view thereof; and,  
FIG. 10 is a bottom view thereof.  
The superimposed areas encased in broken lines, shown in the drawings, illustrate portions of the rear stand for a spoiler and form no part of the claimed design.

**1 Claim, 8 Drawing Sheets**

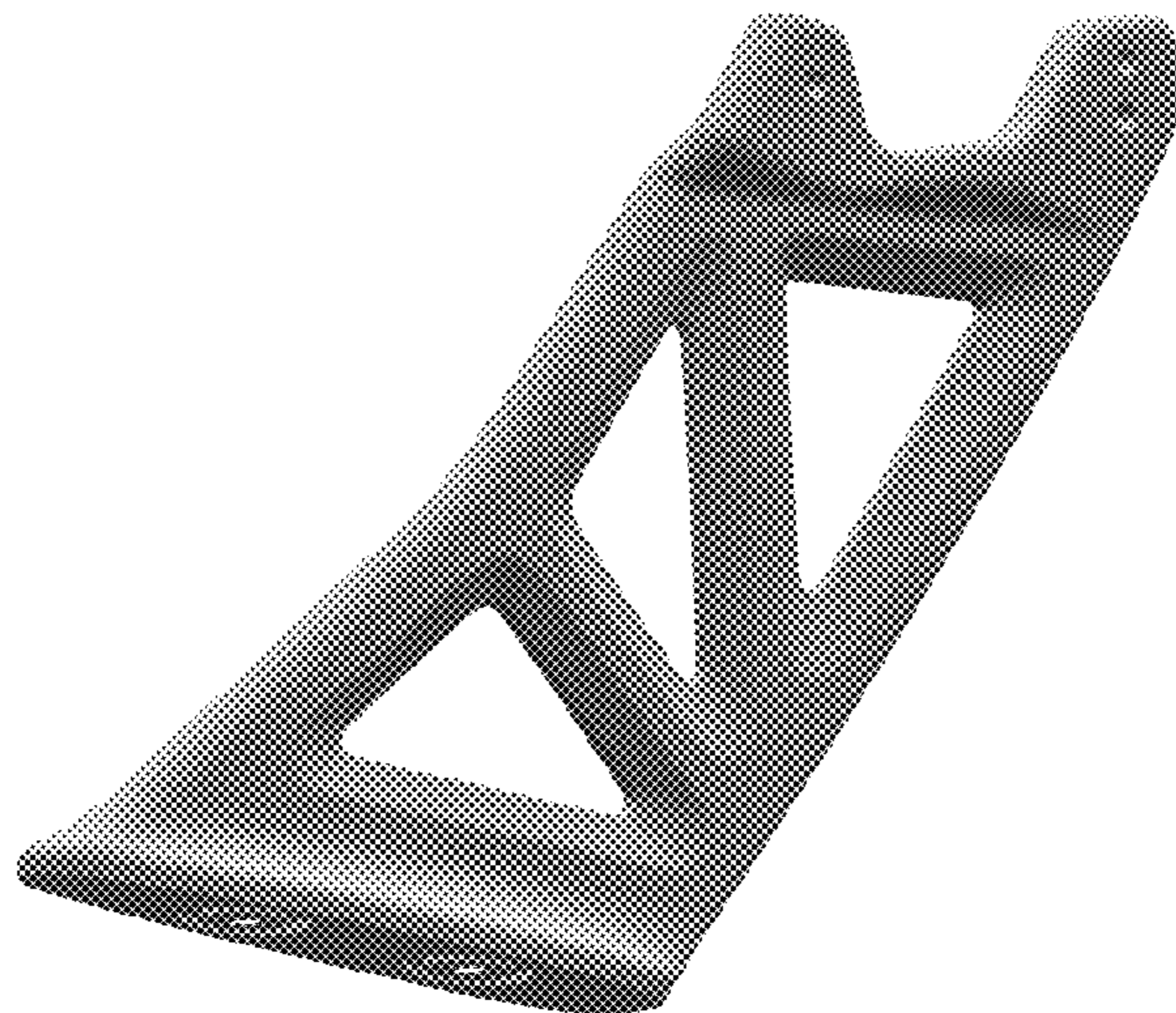




FIG. 1

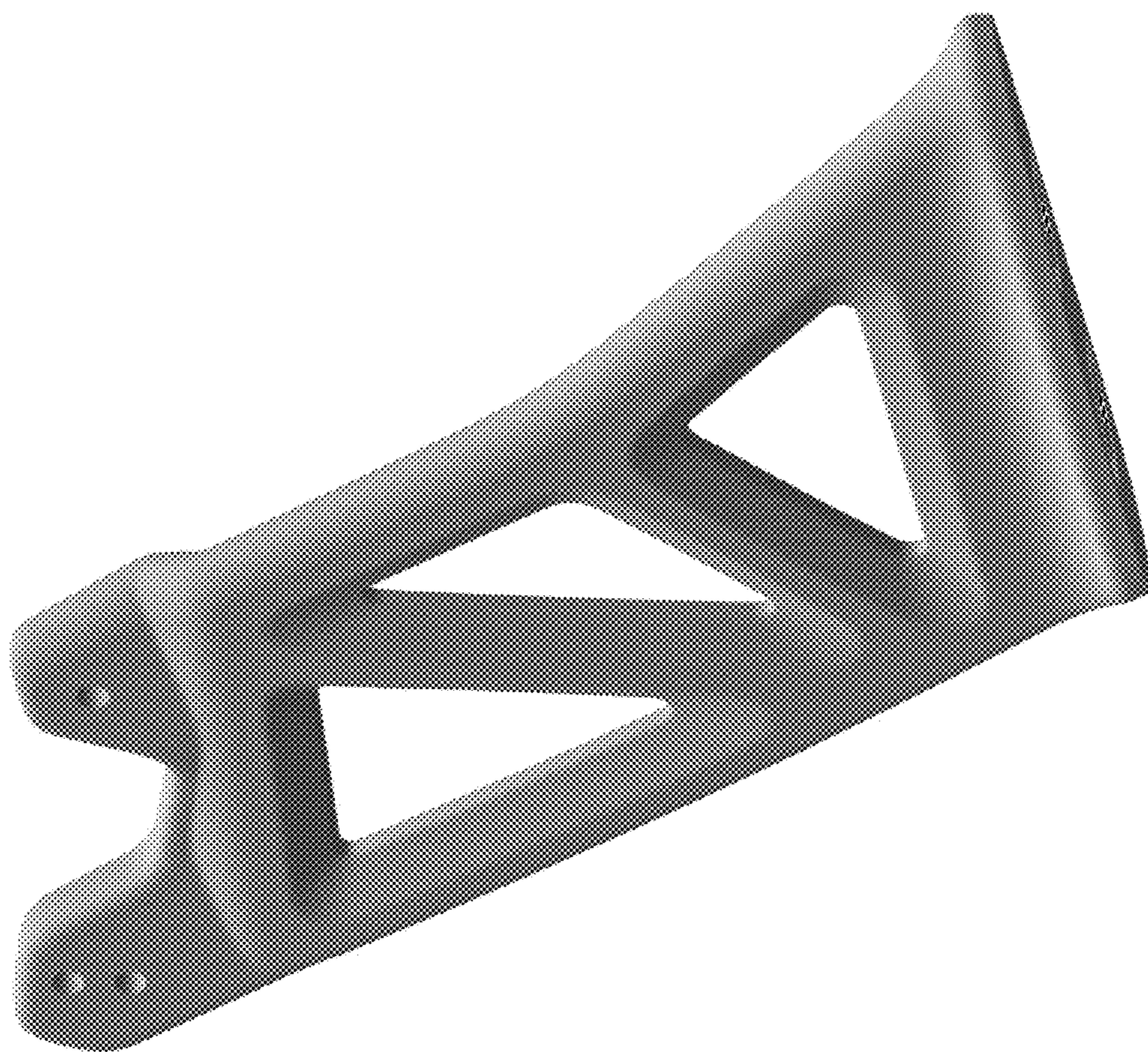


FIG. 2

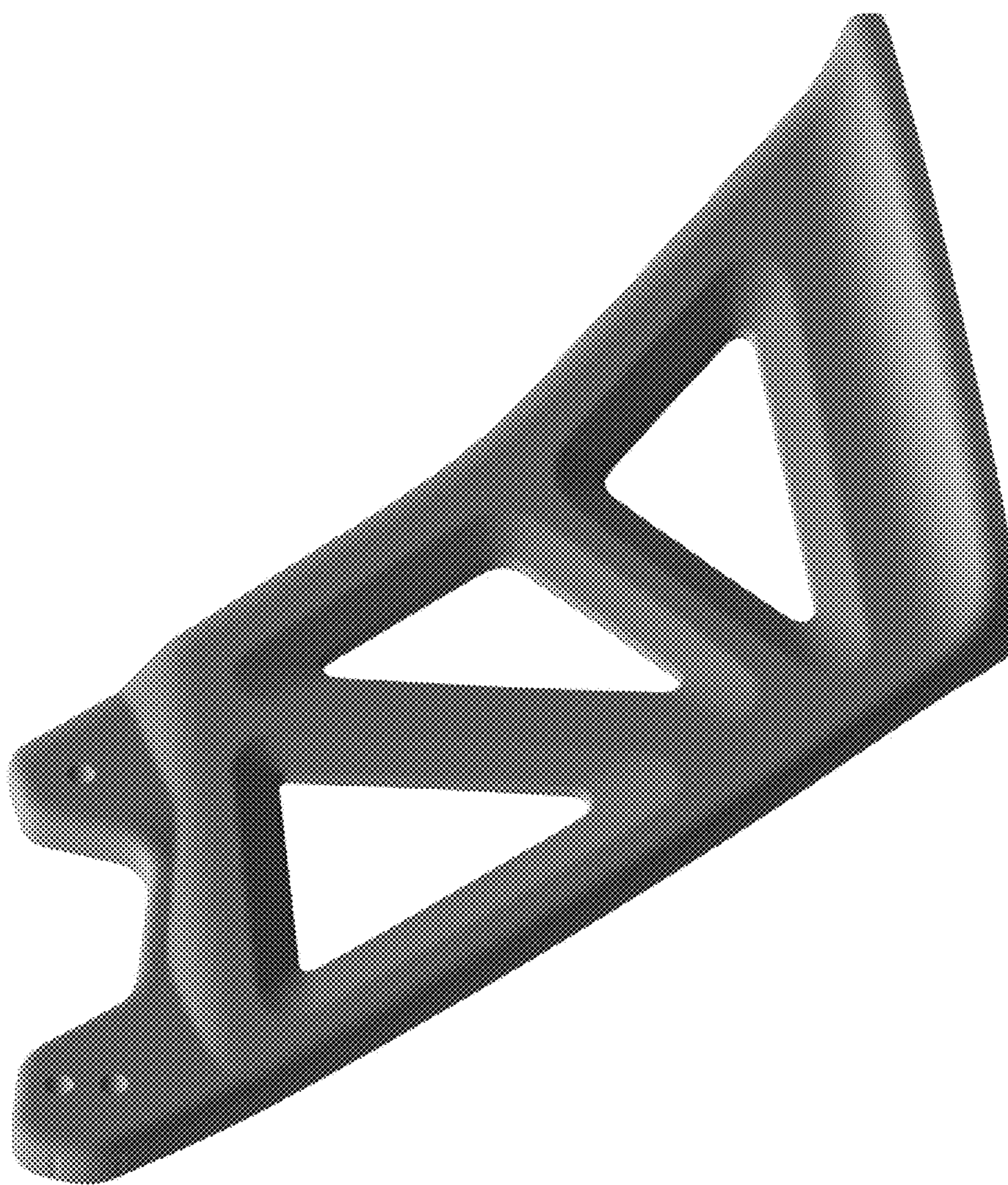


FIG. 3

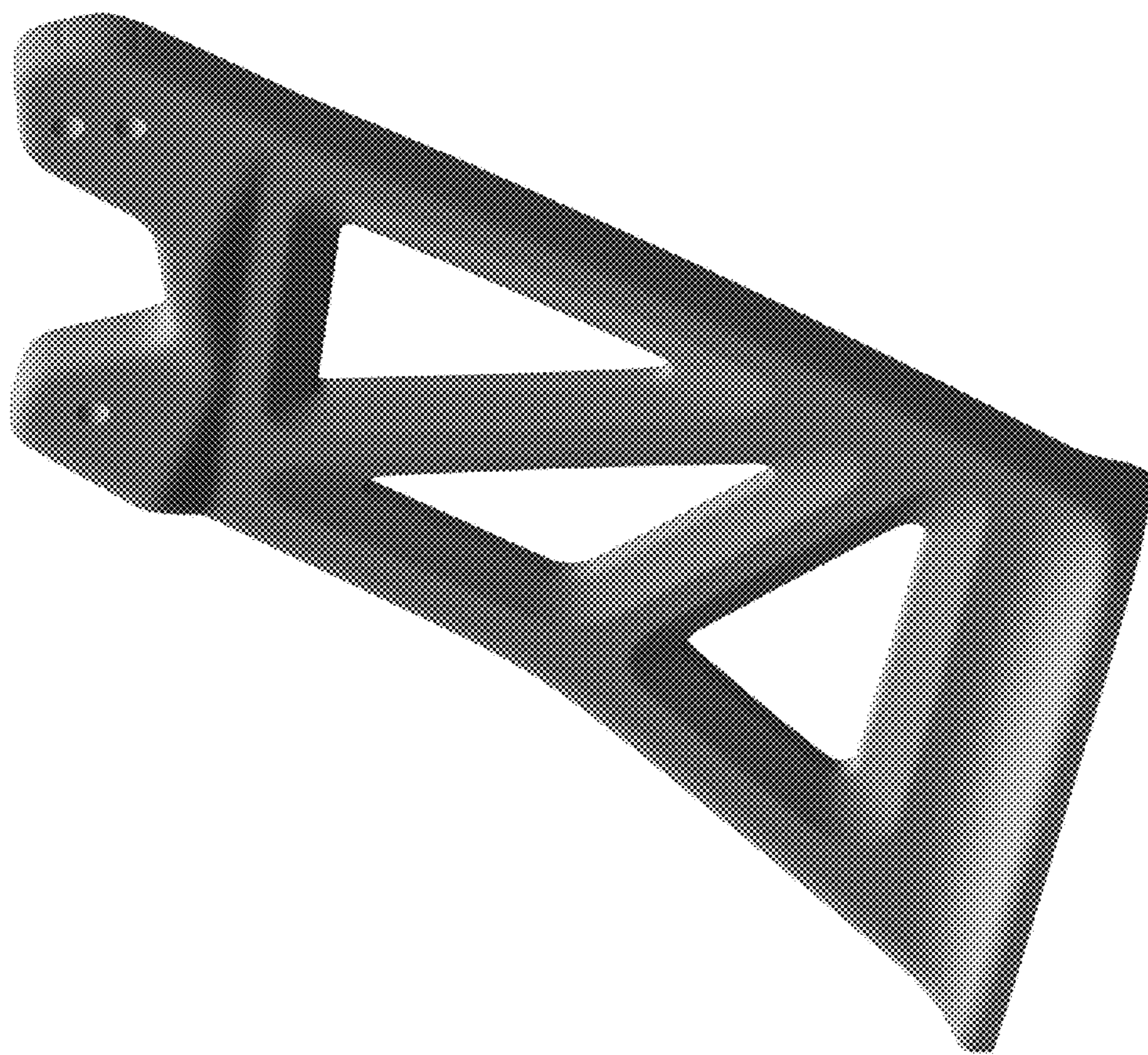


FIG. 4

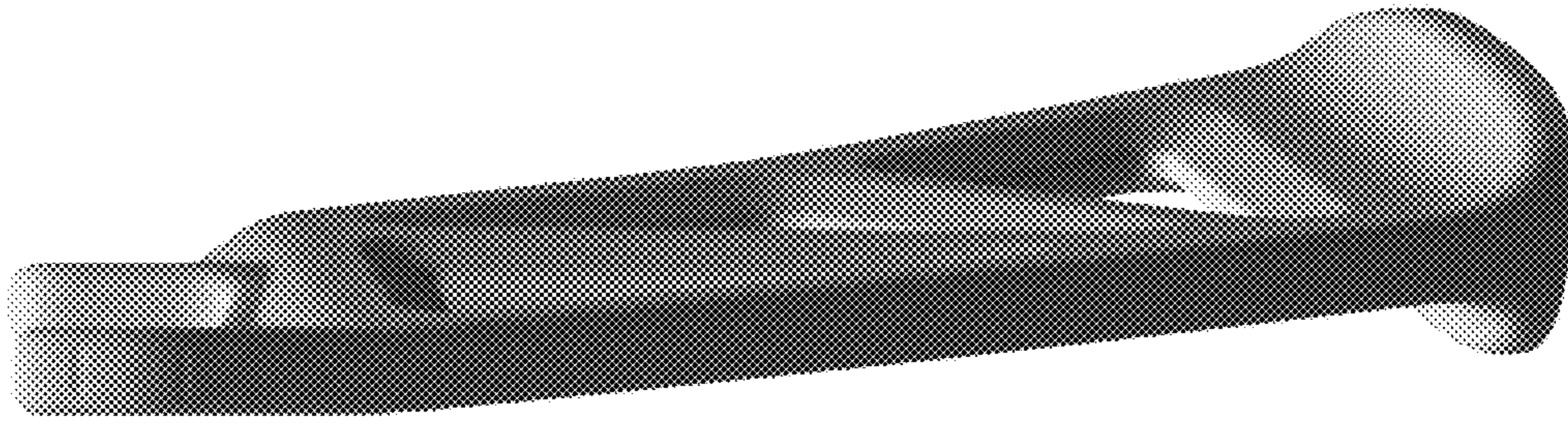


FIG. 6

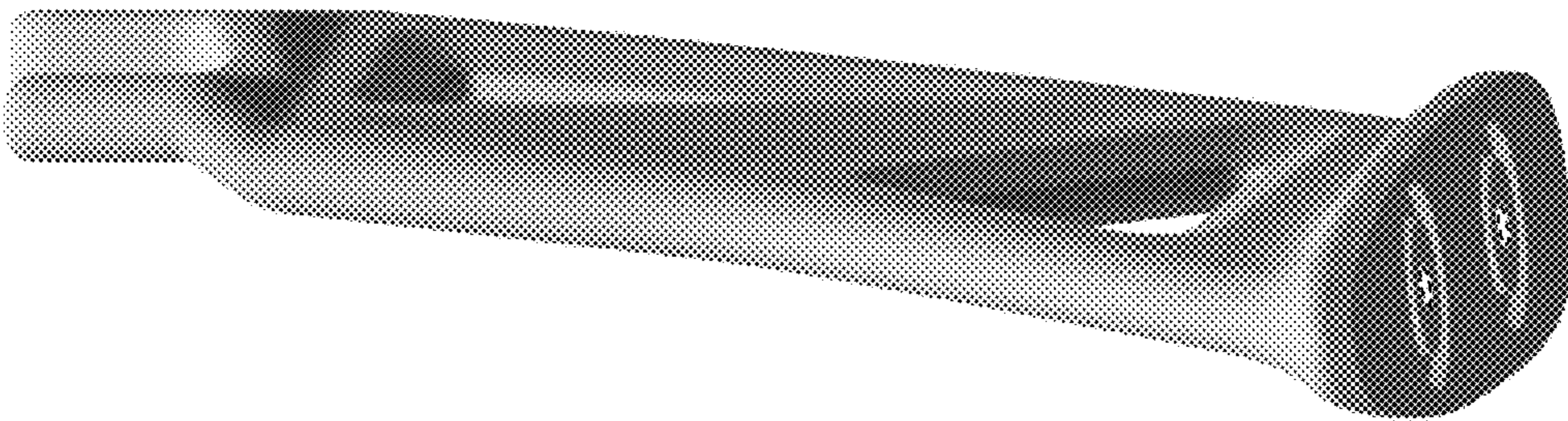


FIG. 5

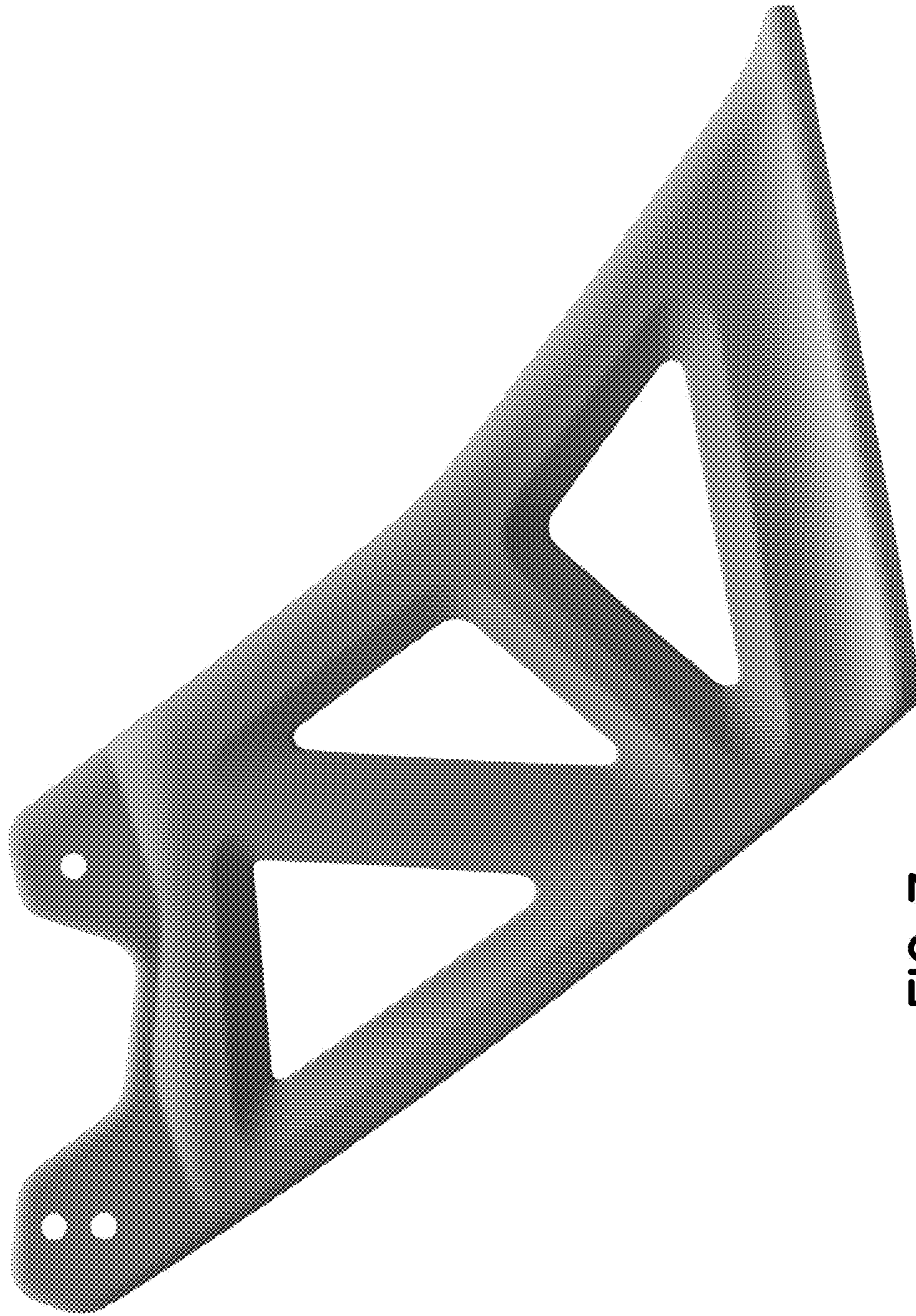


FIG. 7

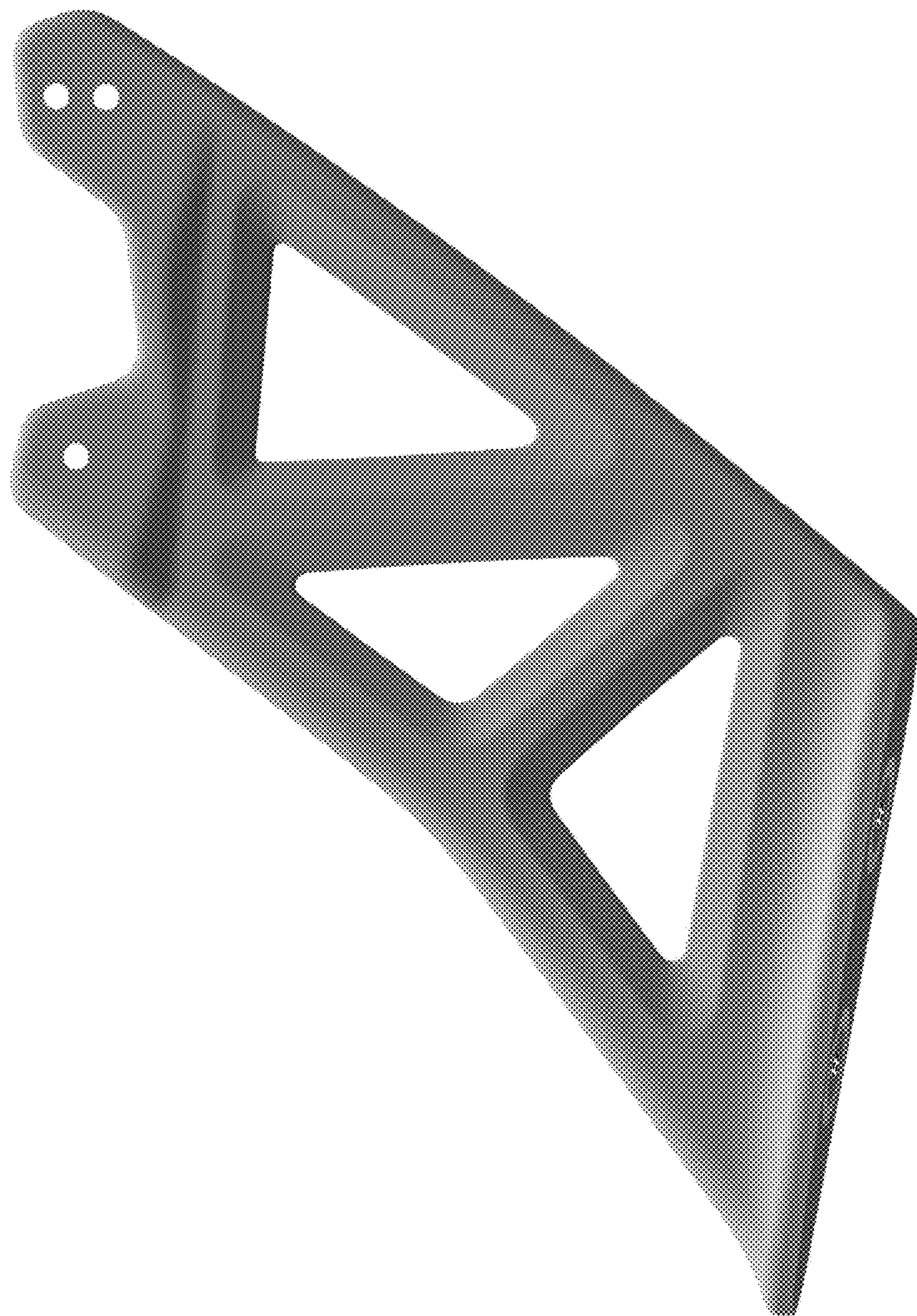


FIG. 8





FIG. 10

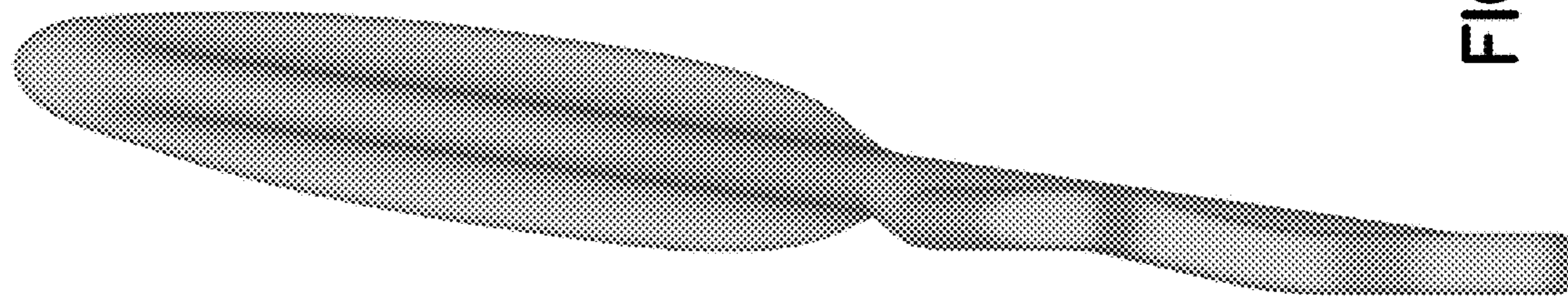


FIG. 9