



US00D853937S

(12) **United States Design Patent**
Hubley

(10) **Patent No.:** **US D853,937 S**
(45) **Date of Patent:** **** Jul. 16, 2019**

- (54) **WHEEL CHOCK**
- (71) Applicant: **Allan Hubley**, Wileville (CA)
- (72) Inventor: **Allan Hubley**, Wileville (CA)
- (**) Term: **15 Years**
- (21) Appl. No.: **29/641,441**
- (22) Filed: **Mar. 22, 2018**
- (51) **LOC (11) Cl.** **12-16**
- (52) **U.S. Cl.**
USPC **D12/217**
- (58) **Field of Classification Search**
USPC D12/217, 400; D34/32, 38; D25/113;
D8/354
See application file for complete search history.

(56) **References Cited**
U.S. PATENT DOCUMENTS

D328,588 S *	8/1992	Mitchell	D12/217
D385,526 S *	10/1997	Hinkle	D12/217
D389,796 S *	1/1998	Olson	D12/217
6,425,465 B1 *	7/2002	Tallman	B60P 3/075 188/32
6,725,979 B1 *	4/2004	Snook	B60T 3/00 188/32
7,036,637 B1 *	5/2006	Wiens	B60T 3/00 188/36

D566,029 S *	4/2008	Swinson, III	D12/217
D673,106 S *	12/2012	Rossman	D12/217
8,499,899 B2 *	8/2013	Scott	B60T 3/00 188/32
D775,579 S *	1/2017	Hughes	D12/217
D830,280 S *	10/2018	Erickson	D12/217

* cited by examiner

Primary Examiner — Stacia A Cadmus
(74) *Attorney, Agent, or Firm* — IPS Legal Group

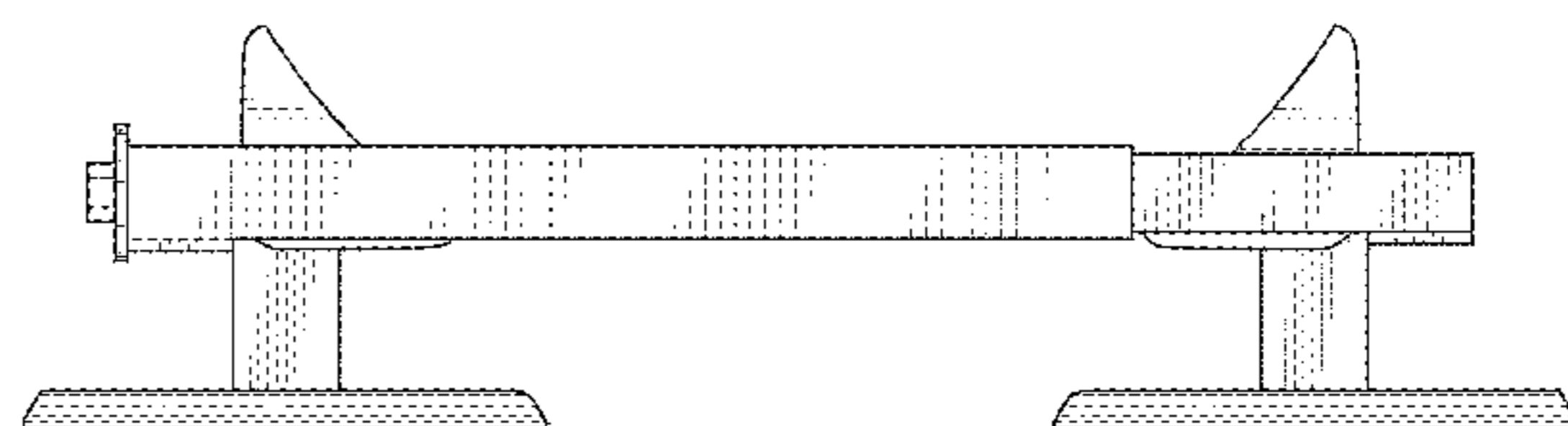
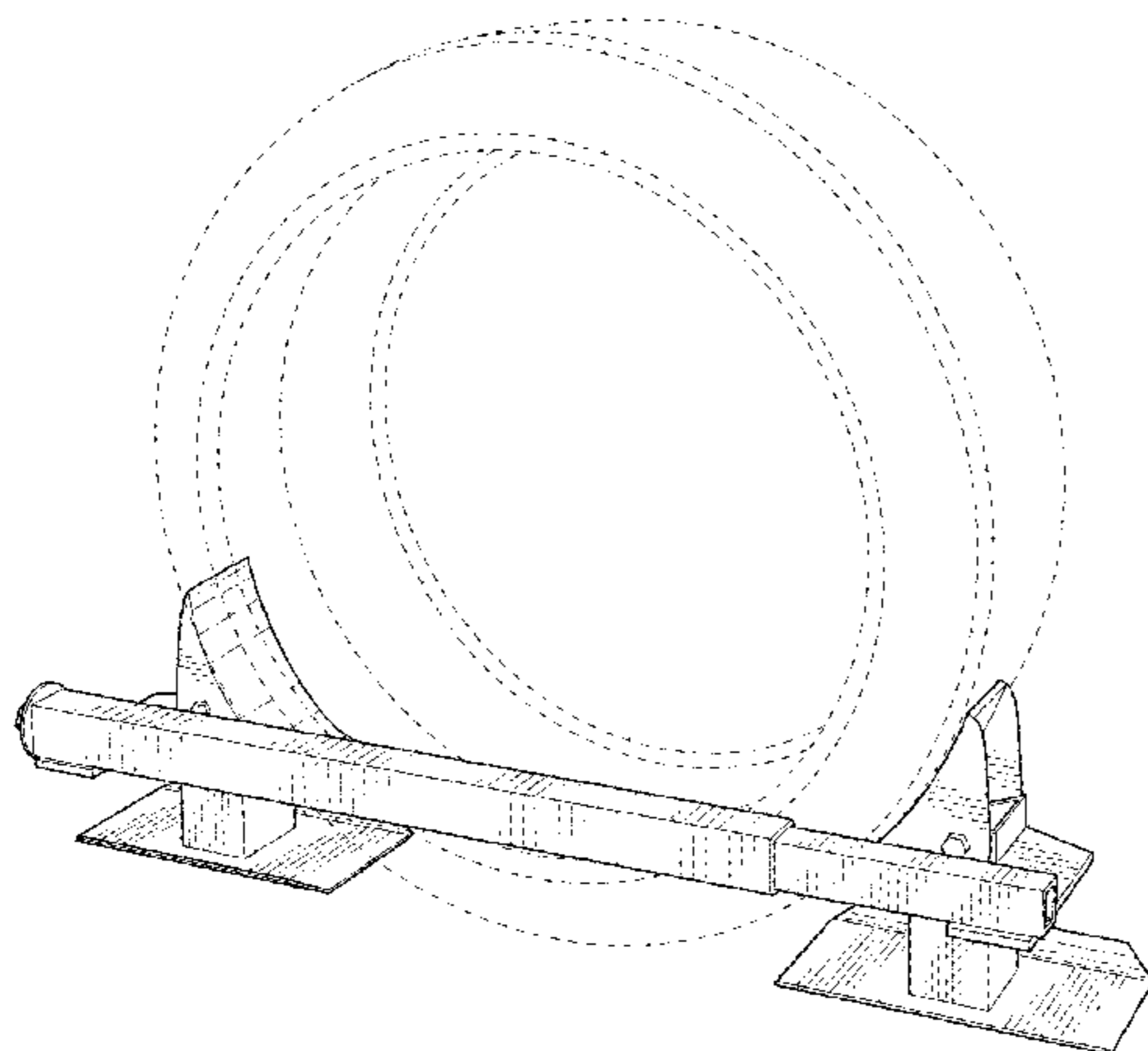
(57) **CLAIM**

An ornamental design for wheel chock, as shown and described.

DESCRIPTION

FIG. 1 is a perspective view of the wheel chock.
FIG. 2 is a front view of the wheel chock.
FIG. 3 is a rear view of the wheel chock.
FIG. 4 is a left view of the wheel chock.
FIG. 5 is a right view of the wheel chock.
FIG. 6 is a top view of the wheel chock; and,
FIG. 7 is a bottom view of the wheel chock.
The broken line showing of the wheel is included for the purpose of illustrating environment and forms no part of the claimed design.

1 Claim, 5 Drawing Sheets



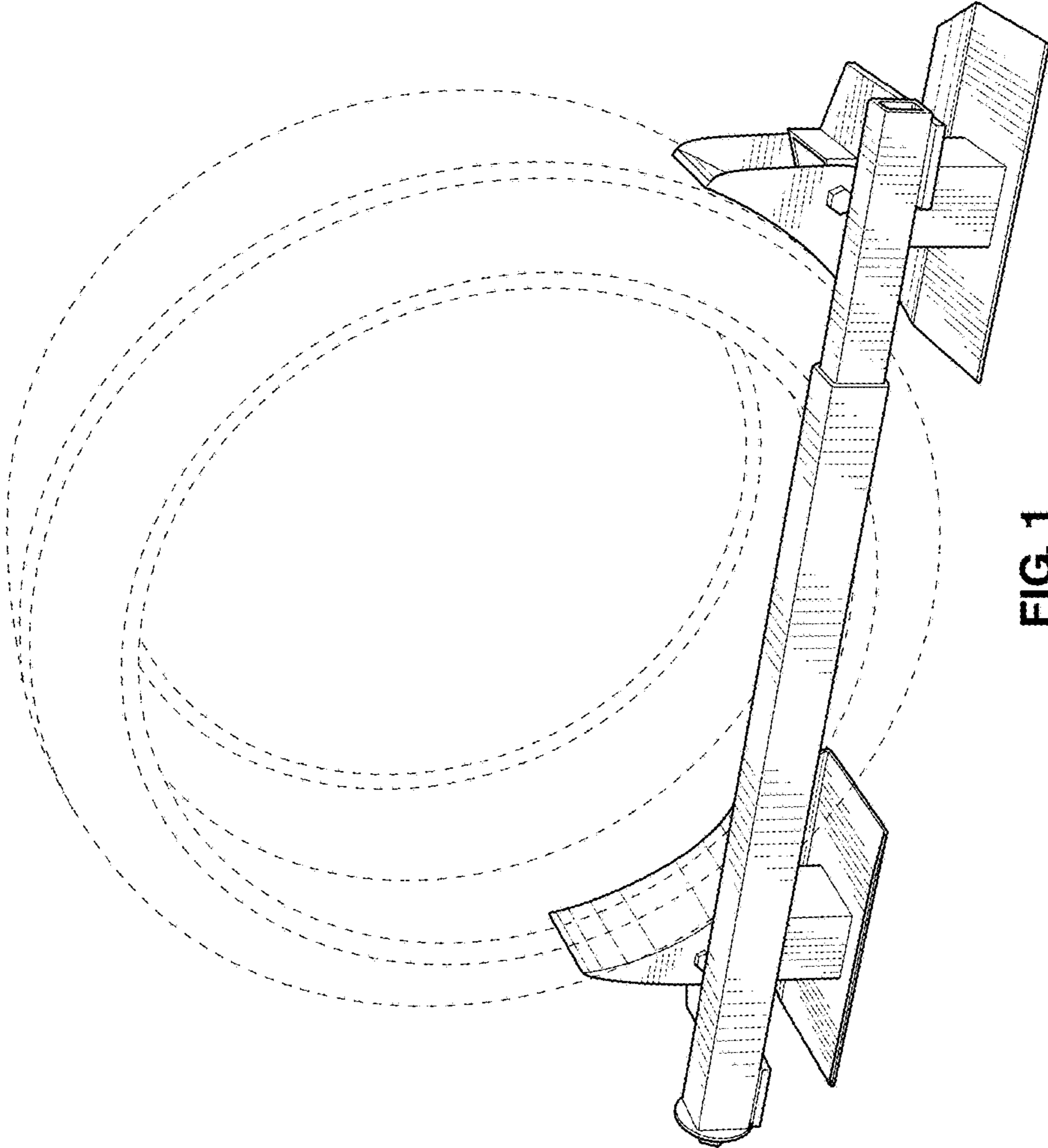


FIG. 1

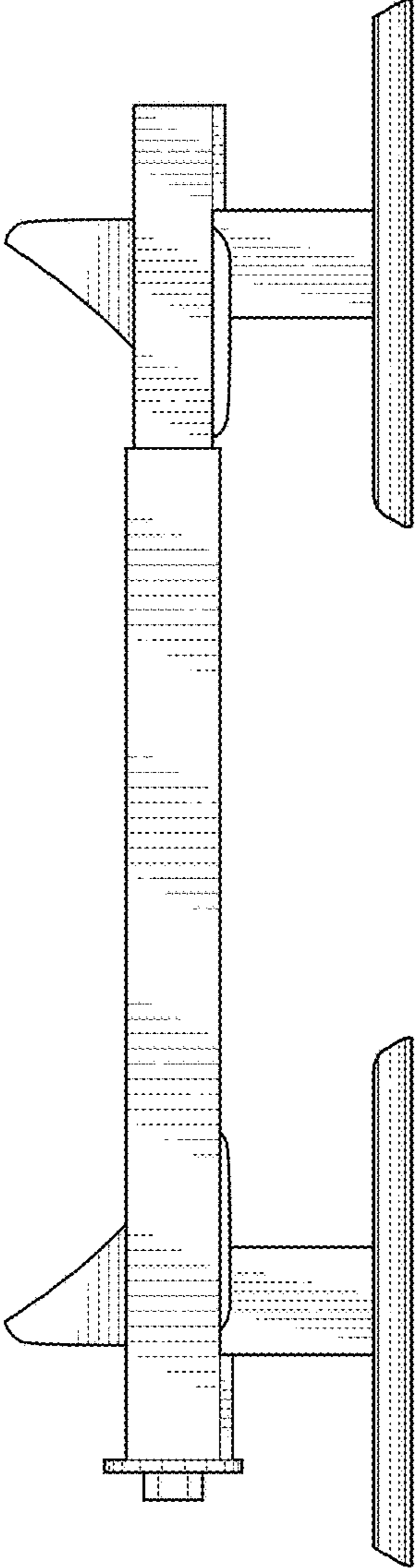


FIG. 2

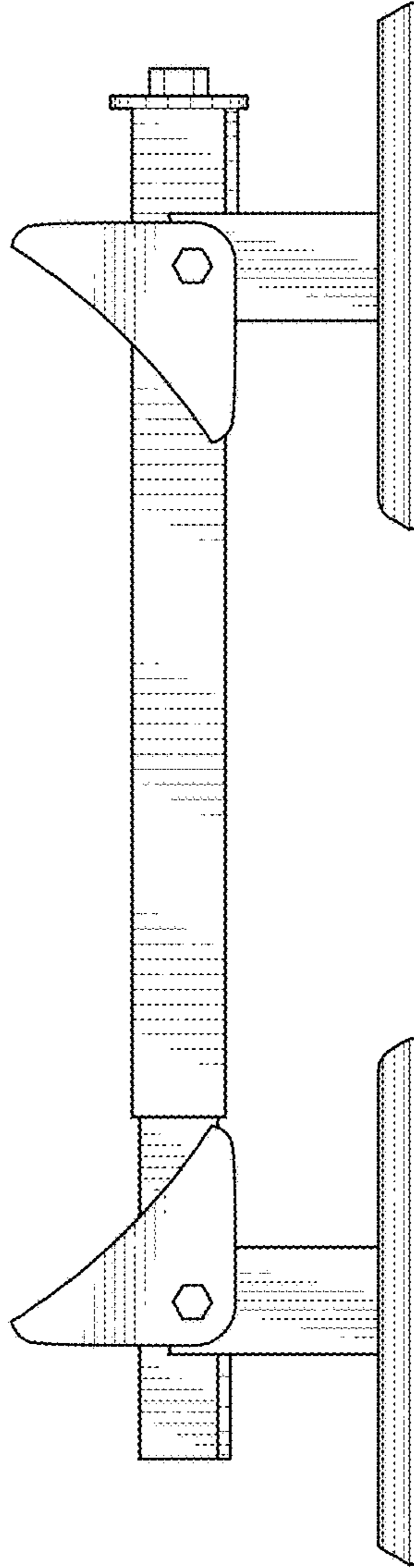


FIG. 3

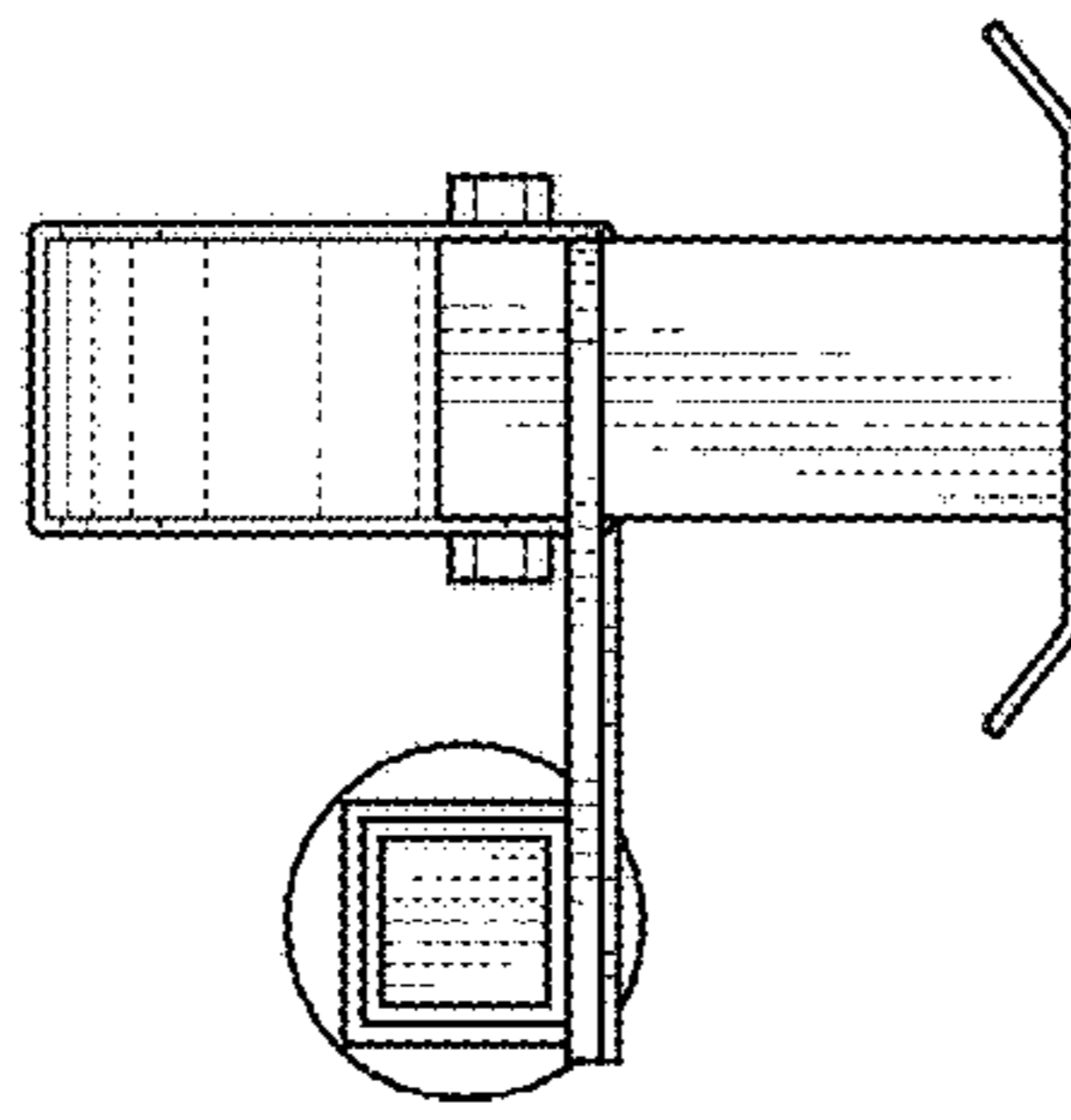


FIG. 5

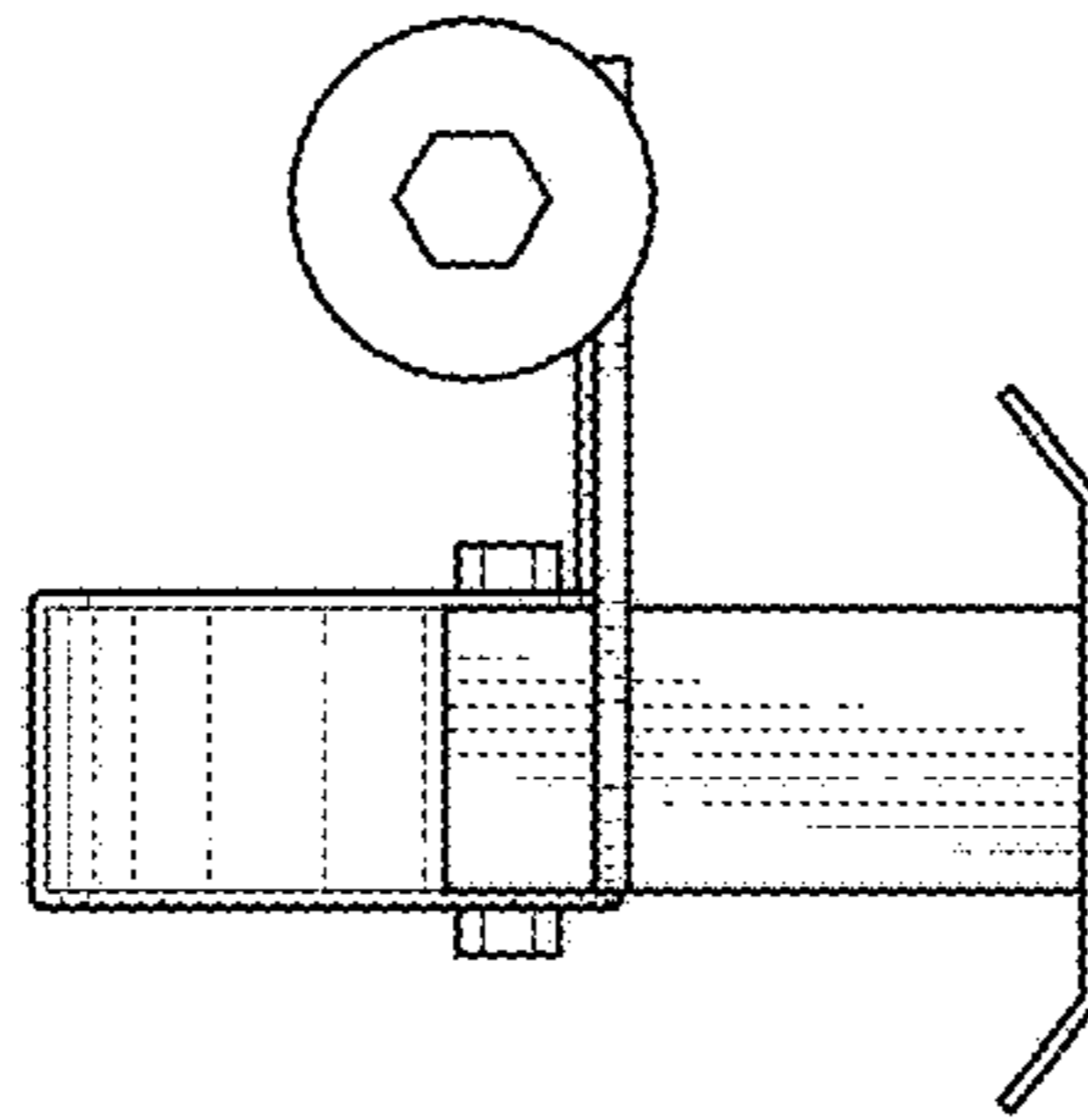


FIG. 4

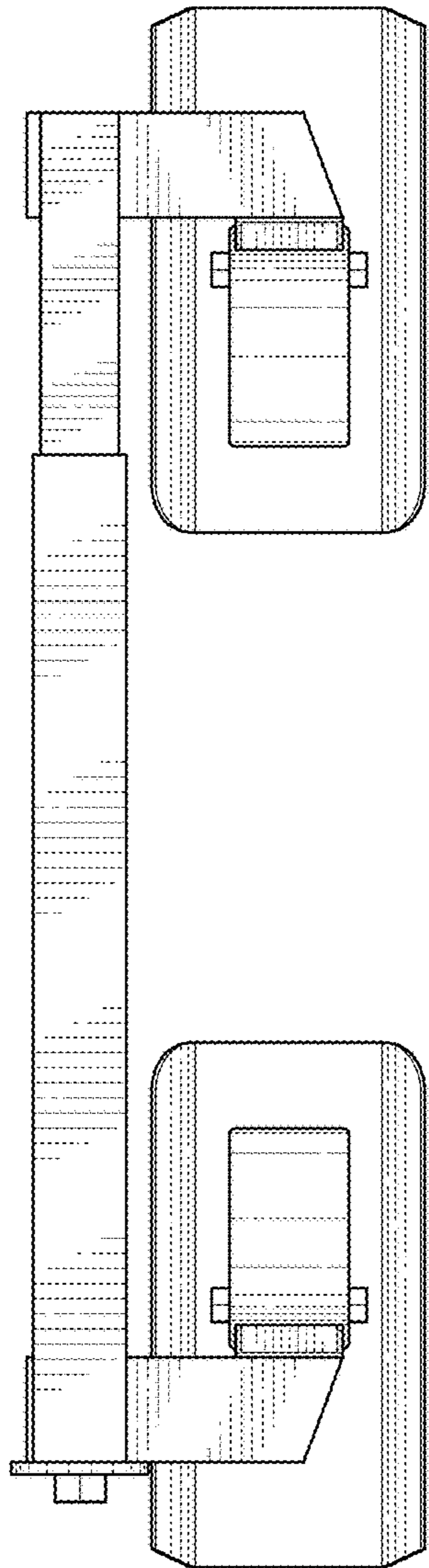


FIG. 6

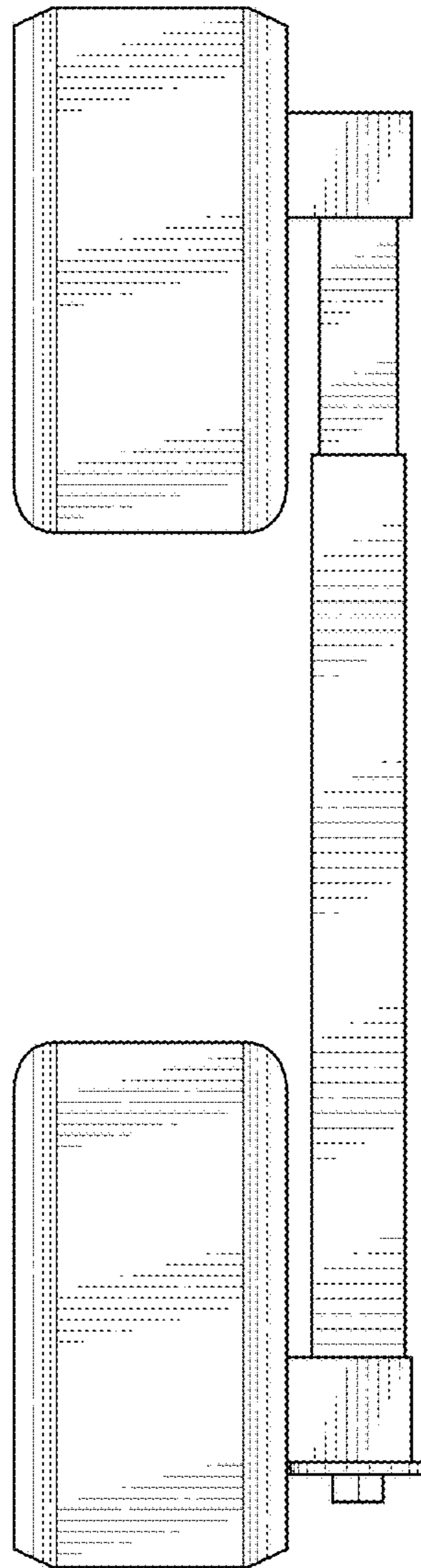


FIG. 7