



US00D853932S

(12) **United States Design Patent**
Chung

(10) **Patent No.:** **US D853,932 S**
(45) **Date of Patent:** **** Jul. 16, 2019**

- (54) **AUTOMOTIVE WHEEL**
- (71) Applicant: **Design Infini, Inc.**, Anaheim, CA (US)
- (72) Inventor: **Suny Chung**, Anaheim, CA (US)
- (73) Assignee: **Design Infini, Inc.**, Corona, CA (US)
- (**) Term: **15 Years**
- (21) Appl. No.: **29/581,422**
- (22) Filed: **Oct. 19, 2016**
- (51) **LOC (11) Cl.** **12-16**
- (52) **U.S. Cl.**
USPC **D12/211**
- (58) **Field of Classification Search**
USPC D12/204–213
CPC B60B 7/00; B60B 7/02; B60B 7/04; B60B 7/01; B60B 7/06; B60B 3/02; B60B 3/04; B60B 3/06; B60B 3/10; B60B 1/00; B60B 1/08; B60B 1/10; B60B 1/12
See application file for complete search history.

(56) **References Cited**

U.S. PATENT DOCUMENTS

- D492,927 S * 7/2004 Fitzgerald D12/211
- D531,104 S * 10/2006 Kim D12/209
- D548,165 S * 8/2007 Young D12/211

(Continued)

Primary Examiner — Stacia A Cadmus

(74) *Attorney, Agent, or Firm* — Knobbe, Martens, Olson & Bear, LLP

(57) **CLAIM**

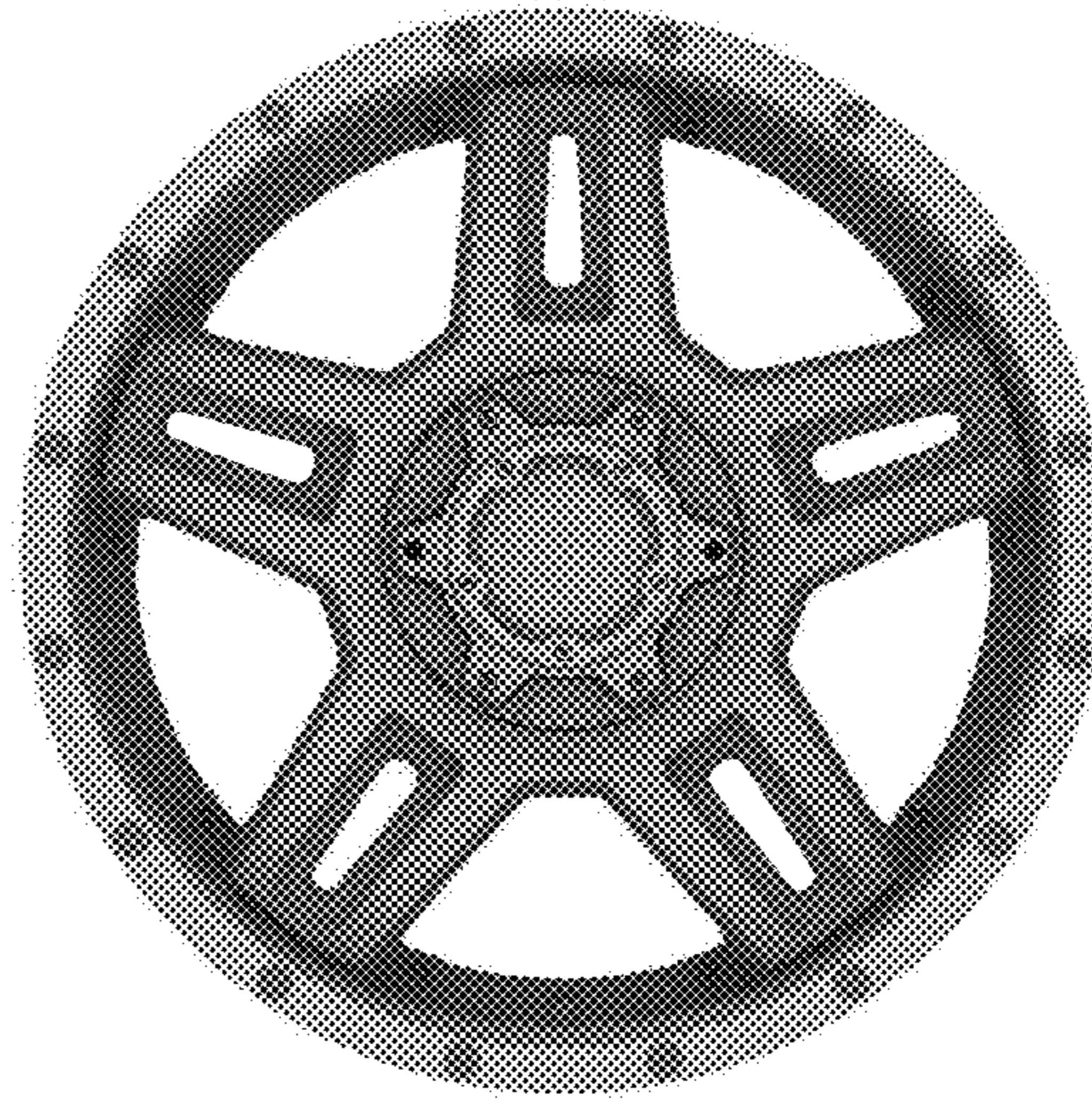
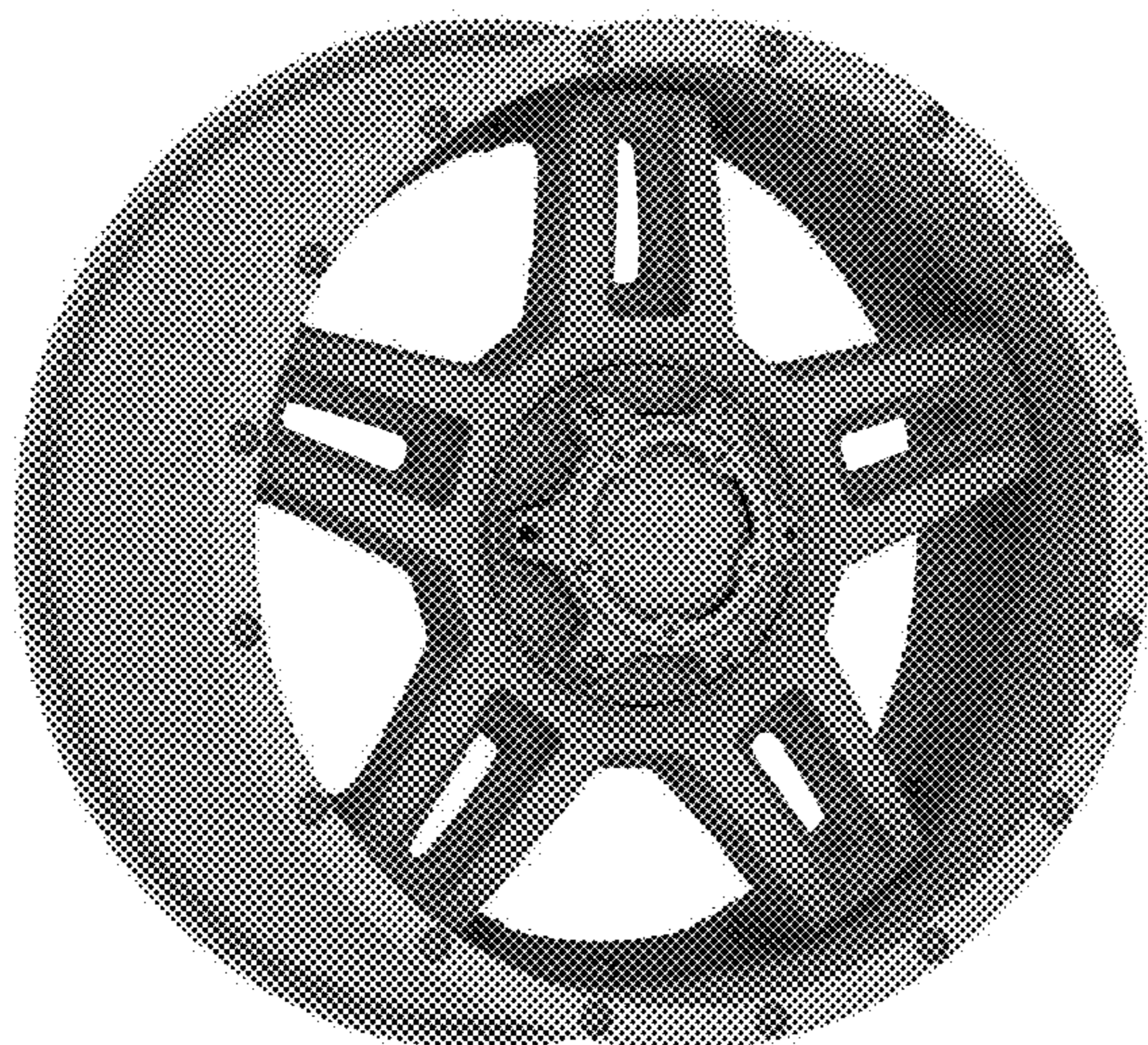
The ornamental design for an automotive wheel, as shown and described.

DESCRIPTION

FIG. 1 is a perspective view of an automotive wheel showing my new design.

FIG. 2 is another perspective view of FIG. 1.
 FIG. 3 is a front view thereof.
 FIG. 4 is a perspective view of an automotive wheel showing my new design, according to a second embodiment.
 FIG. 5 is another perspective view of FIG. 4.
 FIG. 6 is a front view of FIG. 4.
 FIG. 7 is a perspective view of an automotive wheel showing new design according to a third embodiment.
 FIG. 8 is another perspective view of FIG. 7.
 FIG. 9 is a front view of FIG. 7.
 FIG. 10 is a perspective view of an automotive wheel showing my new design according to a fourth embodiment.
 FIG. 11 is another perspective view of FIG. 10.
 FIG. 12 is a front view of FIG. 10.
 FIG. 13 is a perspective view of an automotive wheel showing my new design according to a fifth embodiment.
 FIG. 14 is another perspective view of FIG. 13.
 FIG. 15 is a front view of FIG. 13.
 FIG. 16 is a perspective view of an automotive wheel showing my new design according to a sixth embodiment.
 FIG. 17 is another perspective view of FIG. 16.
 FIG. 18 is a front view of FIG. 16.
 FIG. 19 is a perspective view of an automotive wheel showing my new design according to a seventh embodiment.
 FIG. 20 is another perspective view of FIG. 19.
 FIG. 21 is a front view of FIG. 19.
 FIG. 22 is a perspective view of an automotive wheel showing my new design according to an eighth embodiment.
 FIG. 23 is another perspective view of FIG. 22.
 FIG. 24 is a front view of FIG. 22.
 FIG. 25 is a side view of the automotive wheel in FIGS. 1-6 and 13-18.
 FIG. 26 is a side view of the automotive wheel in FIGS. 7-12 and 19-24; and,
 FIG. 27 is an exploded view of the automotive wheel in FIGS. 10-12.

1 Claim, 27 Drawing Sheets



(56)

References Cited

U.S. PATENT DOCUMENTS

D597,012	S	*	7/2009	Chung	D12/211
D706,198	S	*	6/2014	Chung	D12/211
D706,199	S	*	6/2014	Chung	D12/211
D714,706	S	*	10/2014	Chung	D12/211
D719,889	S	*	12/2014	Hodges	D12/209
D722,939	S	*	2/2015	Chung	D12/213
D727,829	S	*	4/2015	Chung	D12/211
D733,025	S	*	6/2015	Chung	D12/204
D742,293	S	*	11/2015	Chung	D12/211
D751,022	S	*	3/2016	Chung	D12/213
D751,489	S	*	3/2016	Chung	D12/213
D758,279	S	*	6/2016	Platto	D12/211
D760,140	S	*	6/2016	Chung	D12/209
D783,488	S	*	4/2017	Platto	D12/209
D783,498	S	*	4/2017	Platto	D12/211
D787,407	S	*	5/2017	Chung	D12/211
D797,029	S	*	9/2017	Chung	D12/211
D801,903	S	*	11/2017	Chung	D12/211
D811,980	S	*	3/2018	Chung	D12/211
D812,541	S	*	3/2018	Chung	D12/211

* cited by examiner

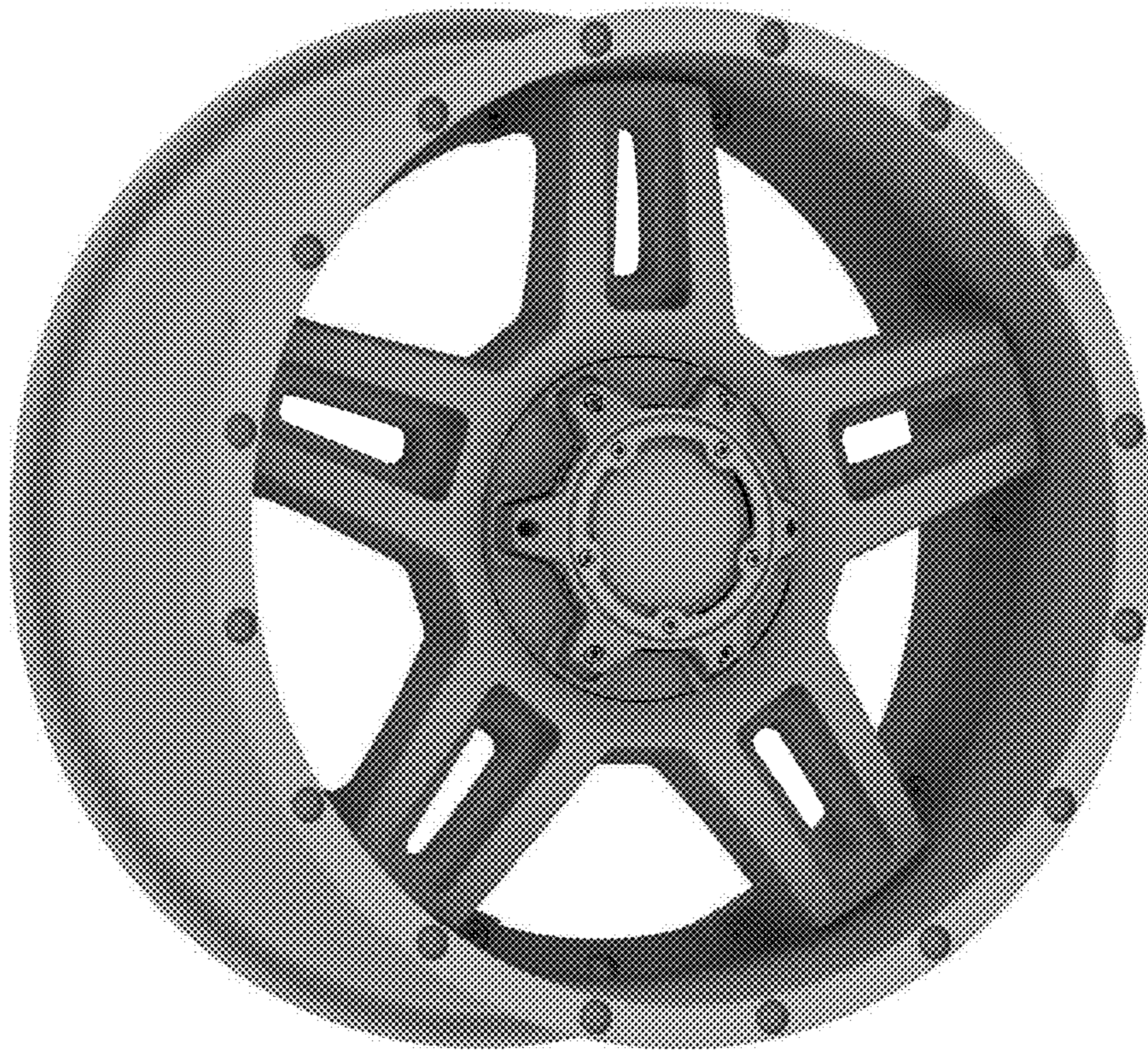


FIGURE 1

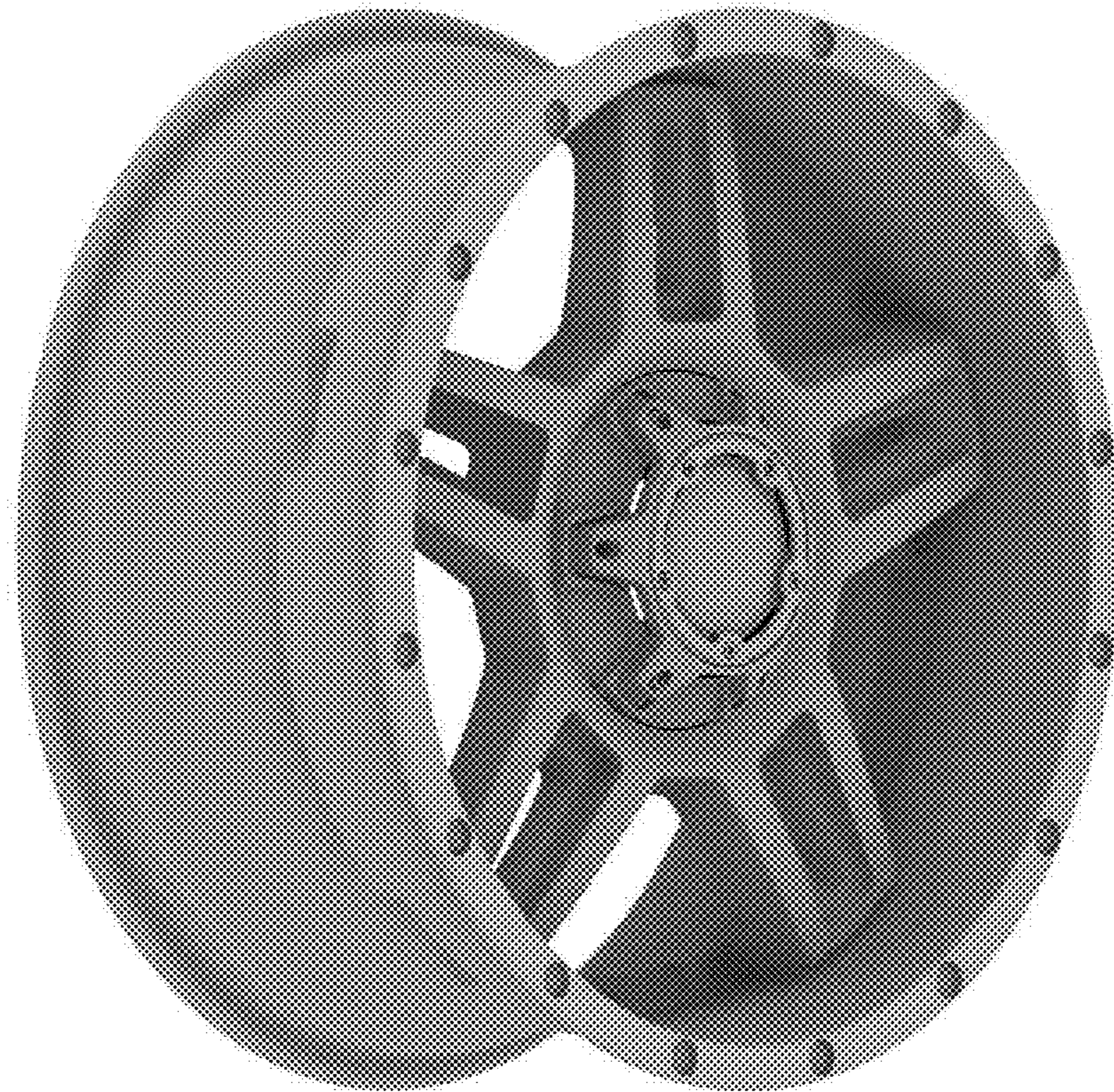


FIGURE 2

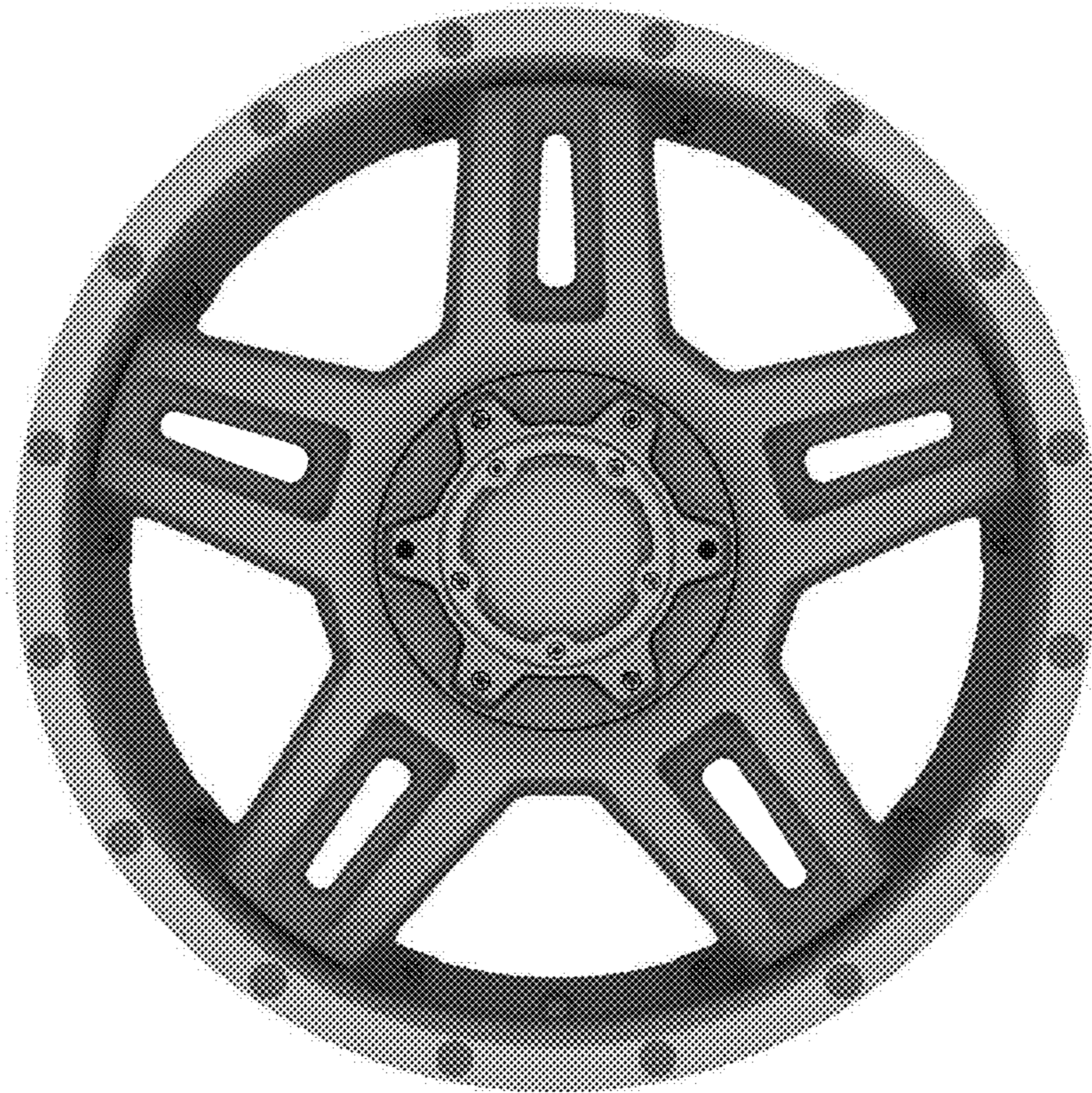


FIGURE 3

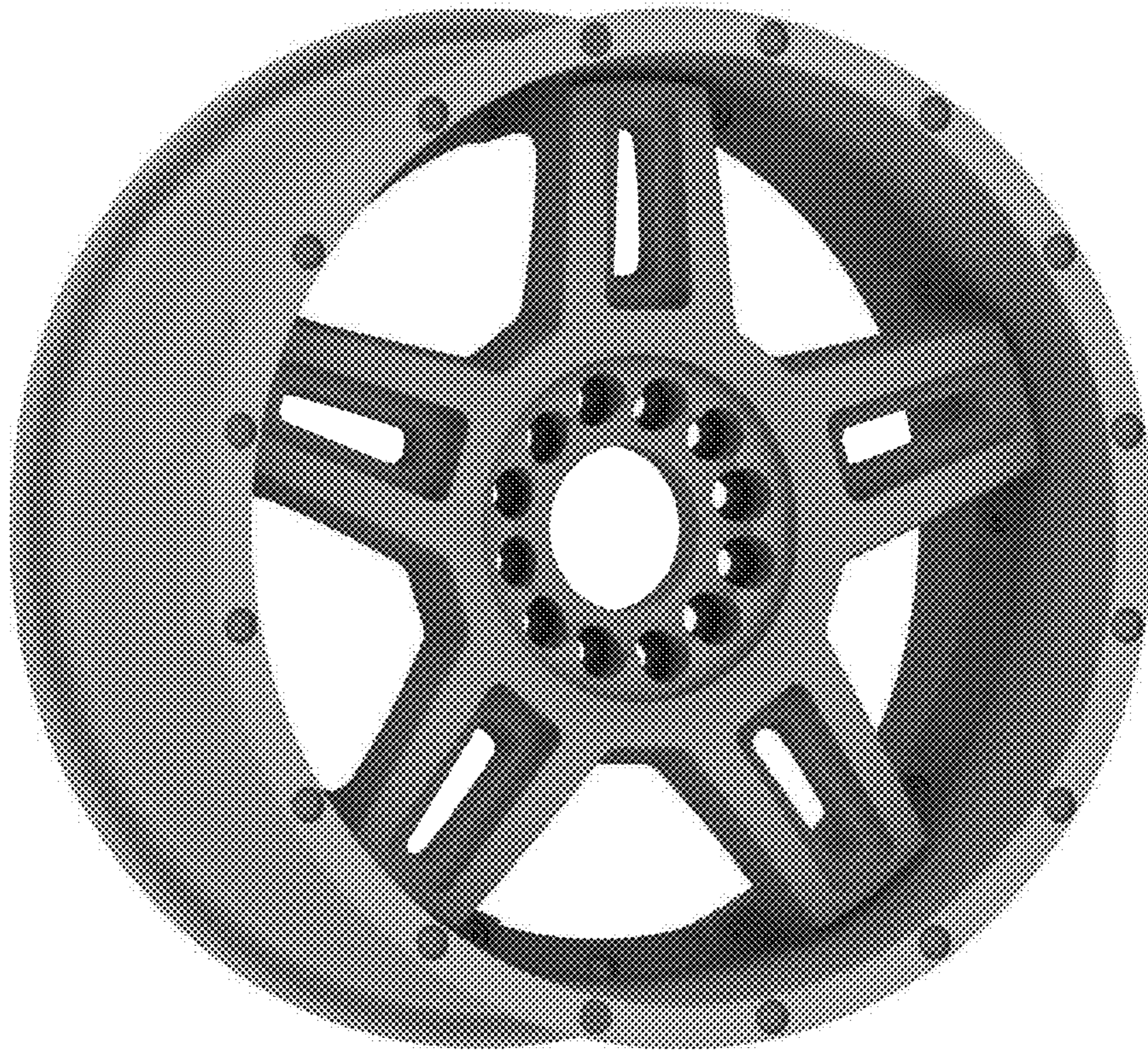


FIGURE 4

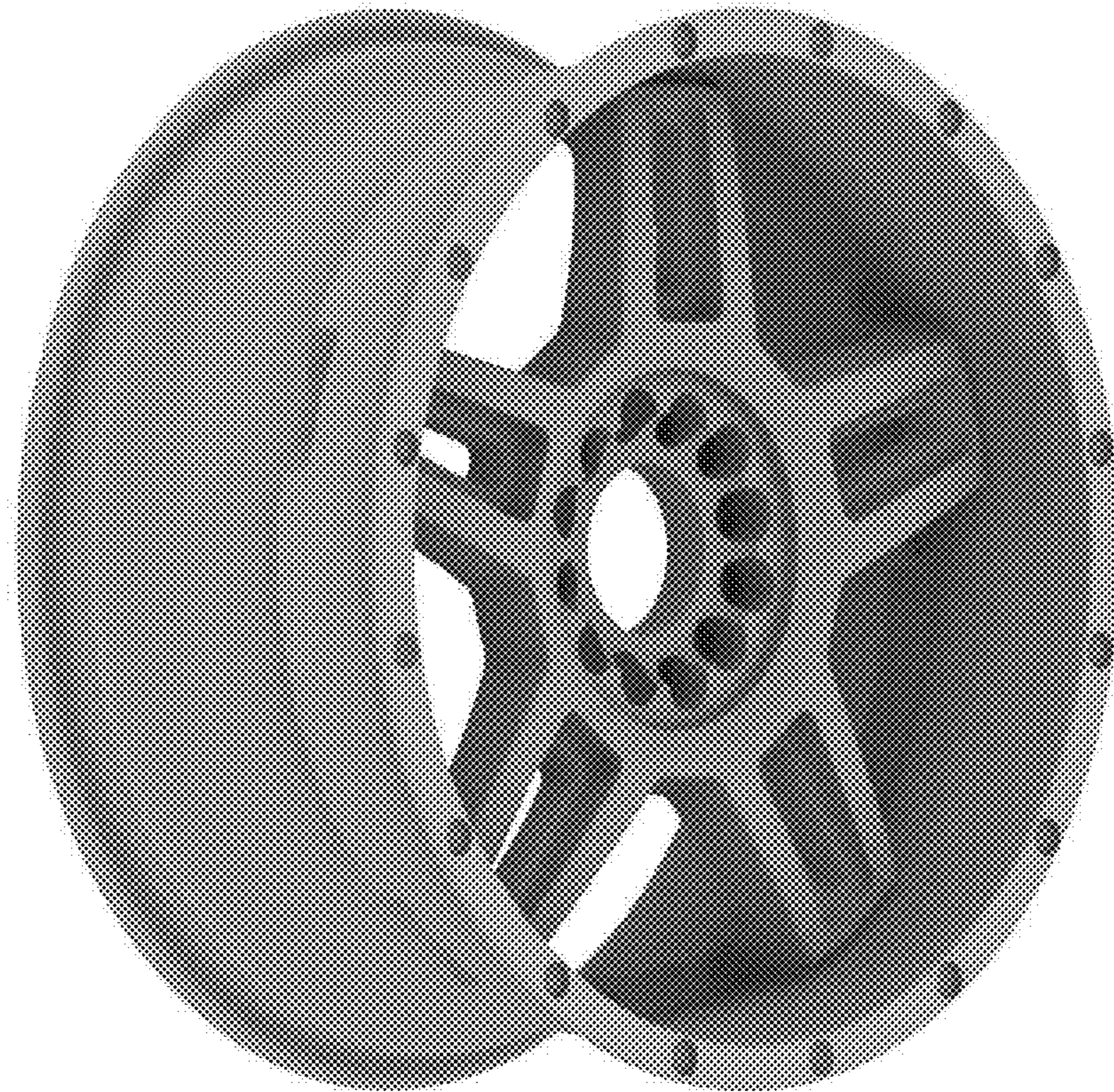


FIGURE 5



FIGURE 6



FIGURE 7

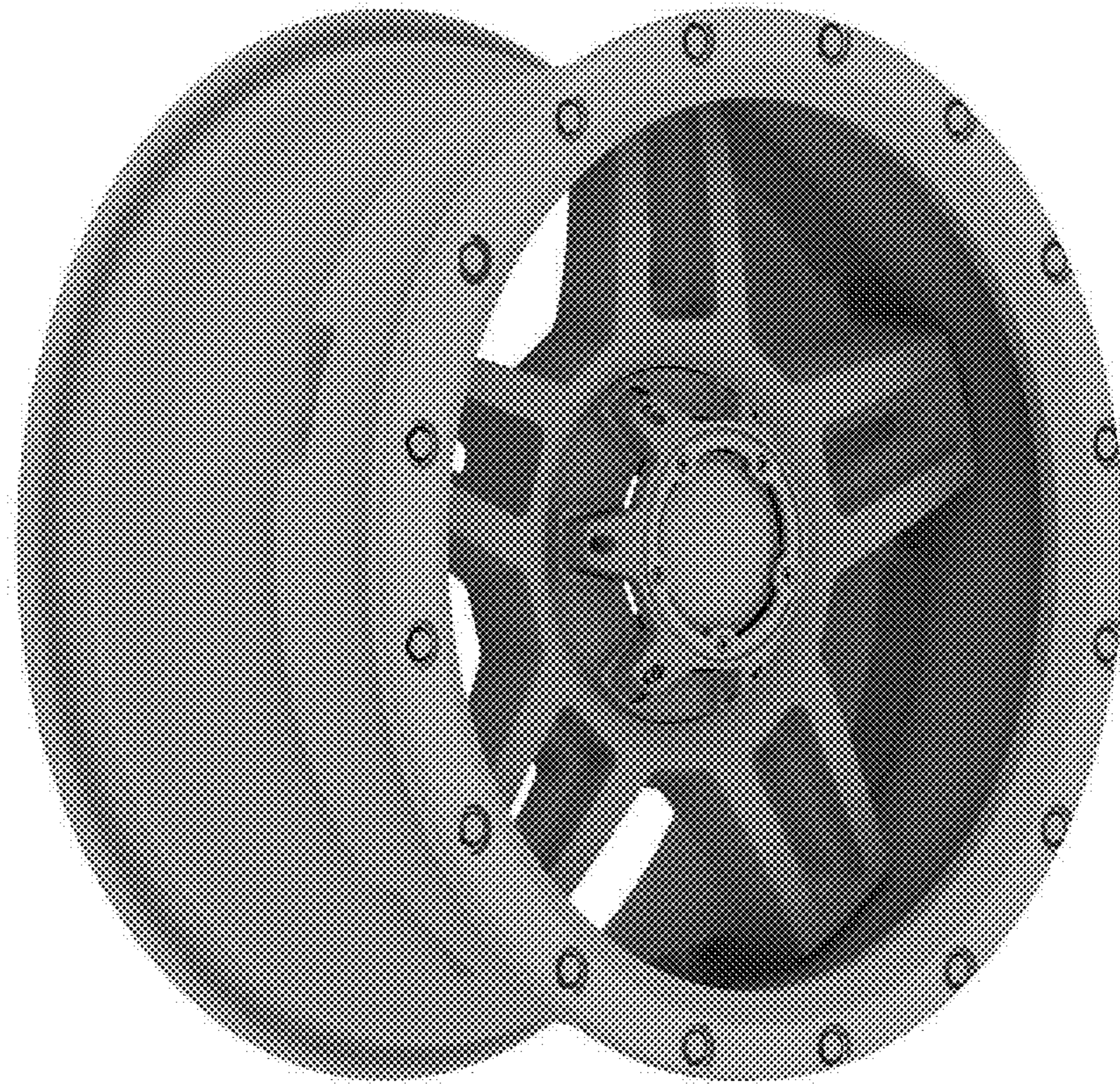


FIGURE 8

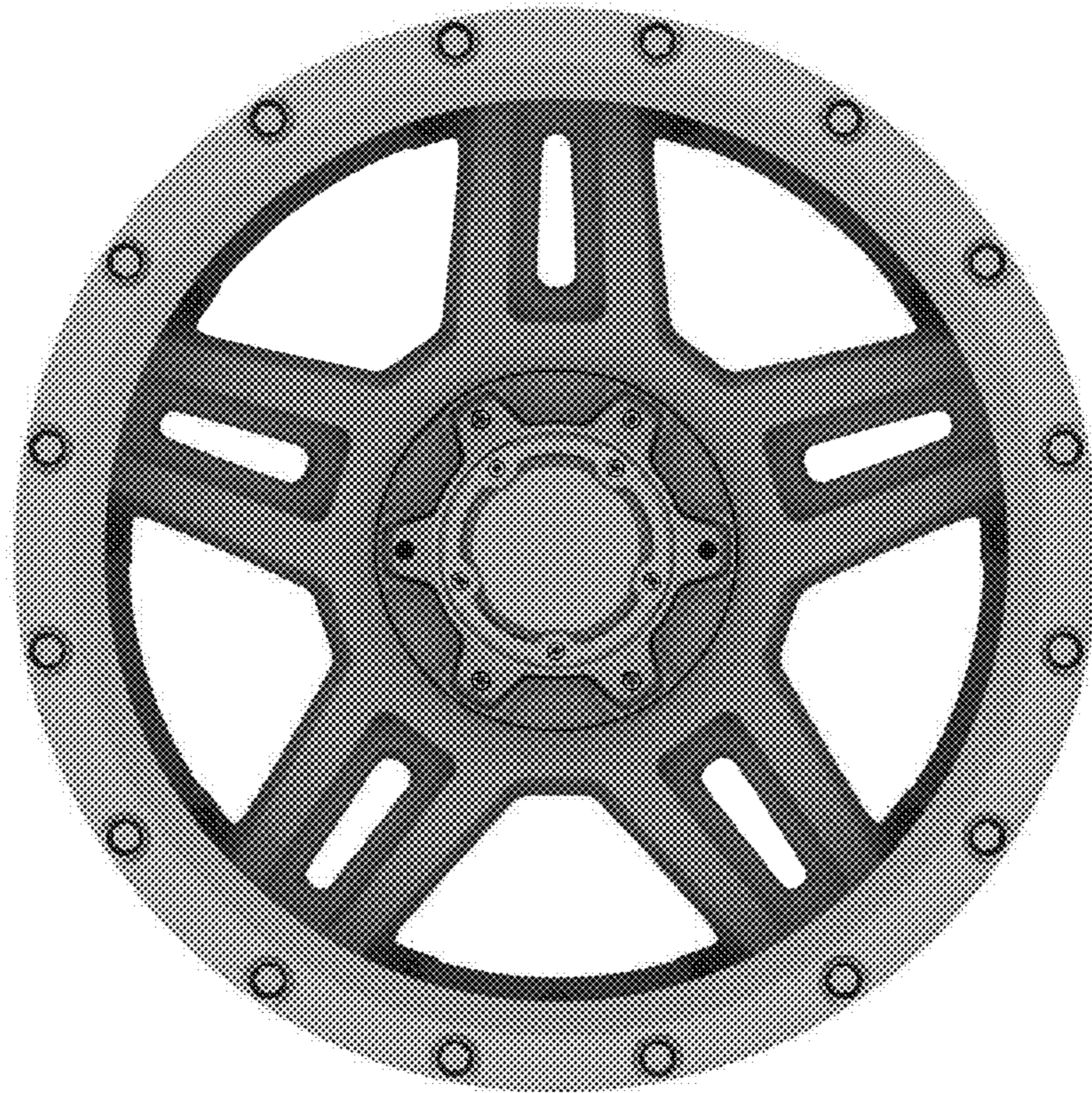


FIGURE 9



FIGURE 10

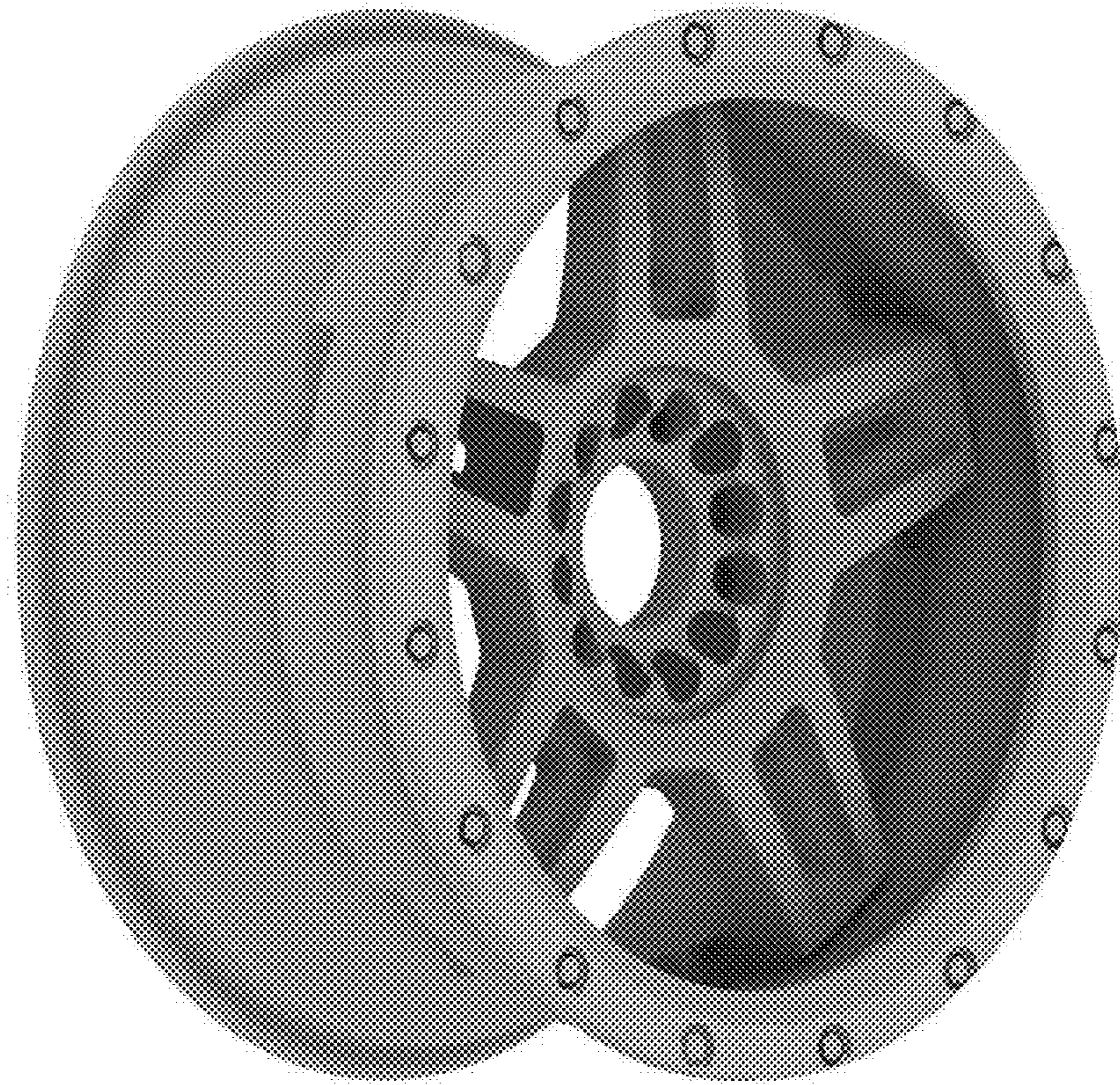


FIGURE 11

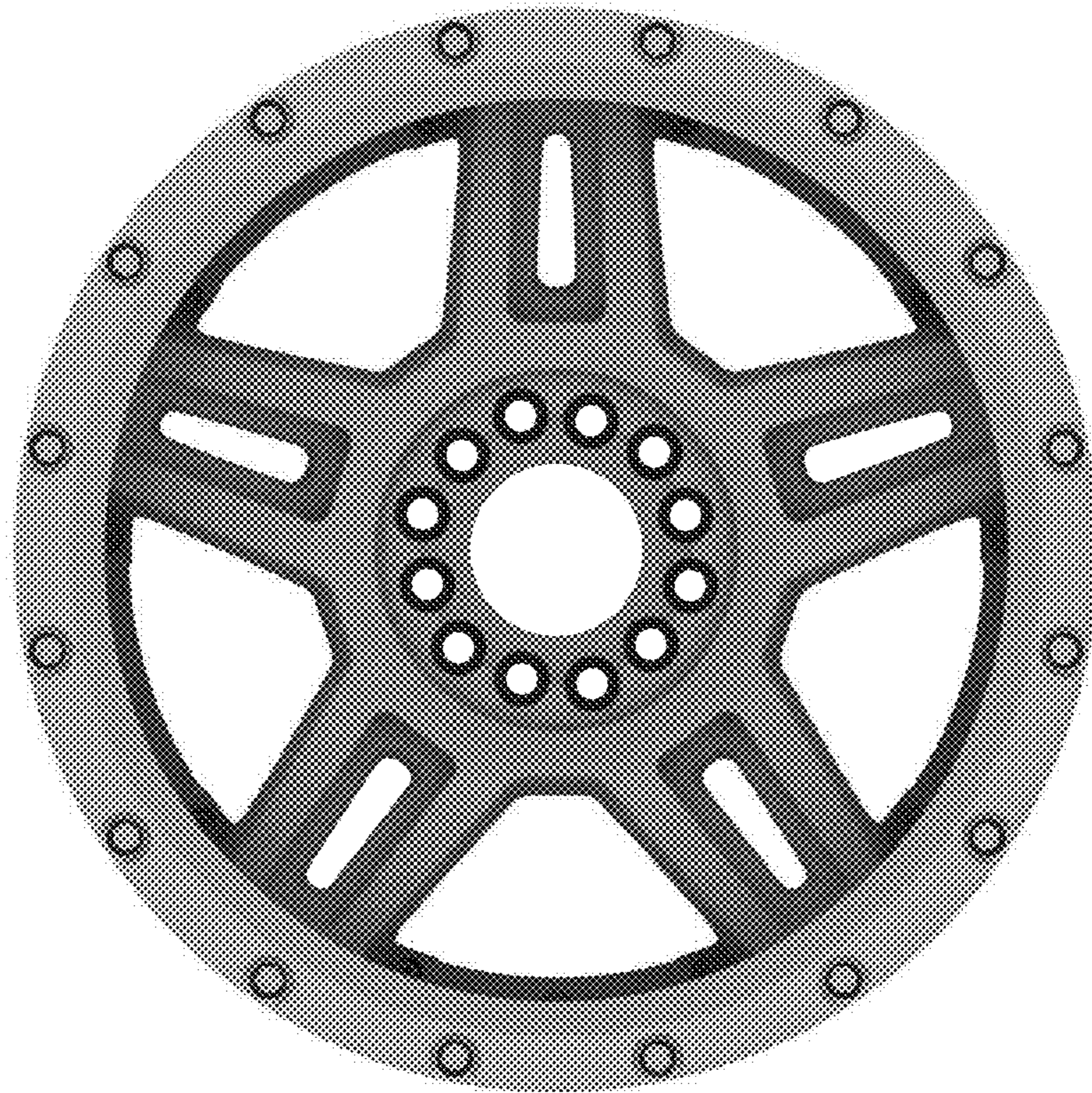


FIGURE 12

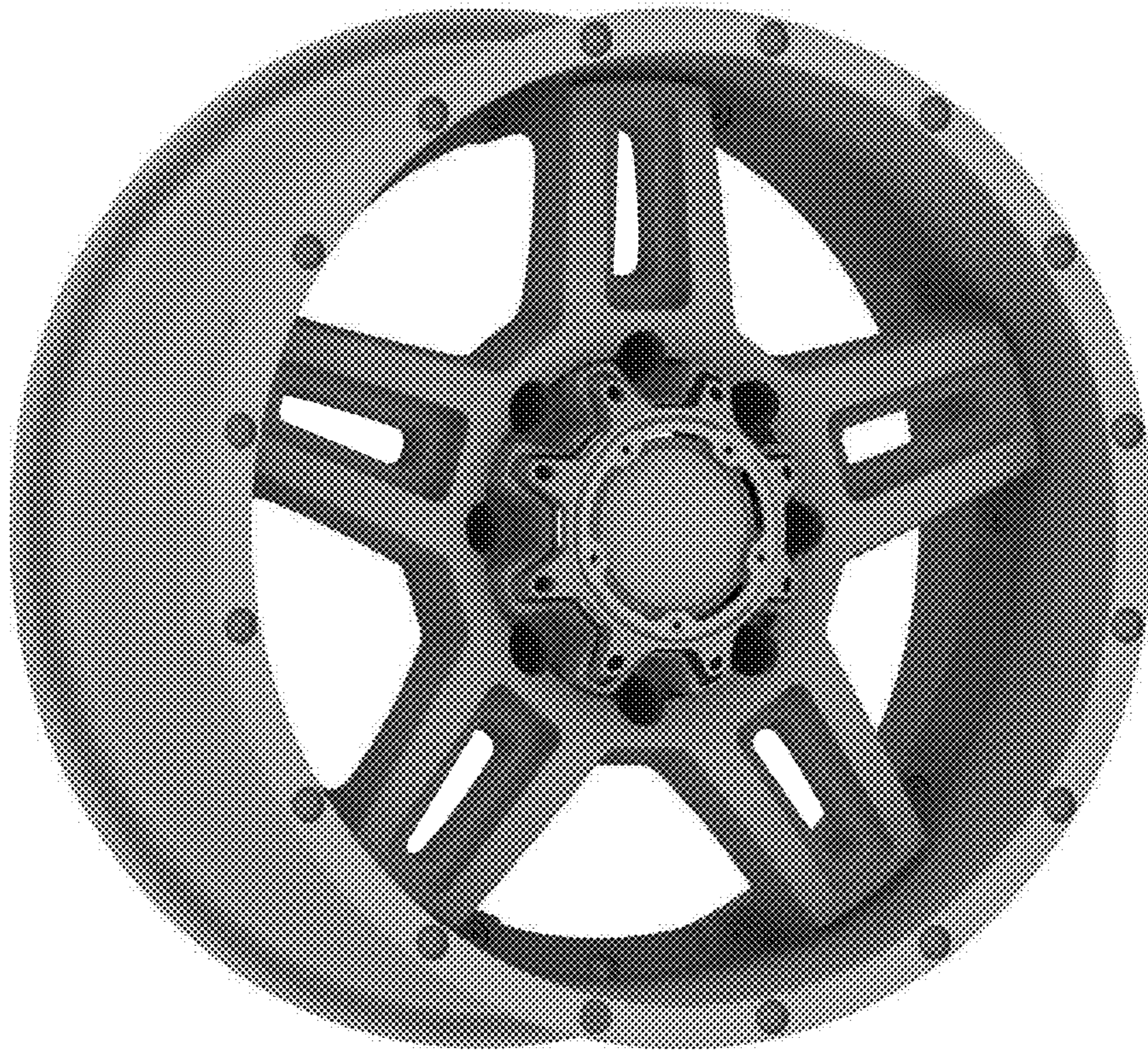


FIGURE 13

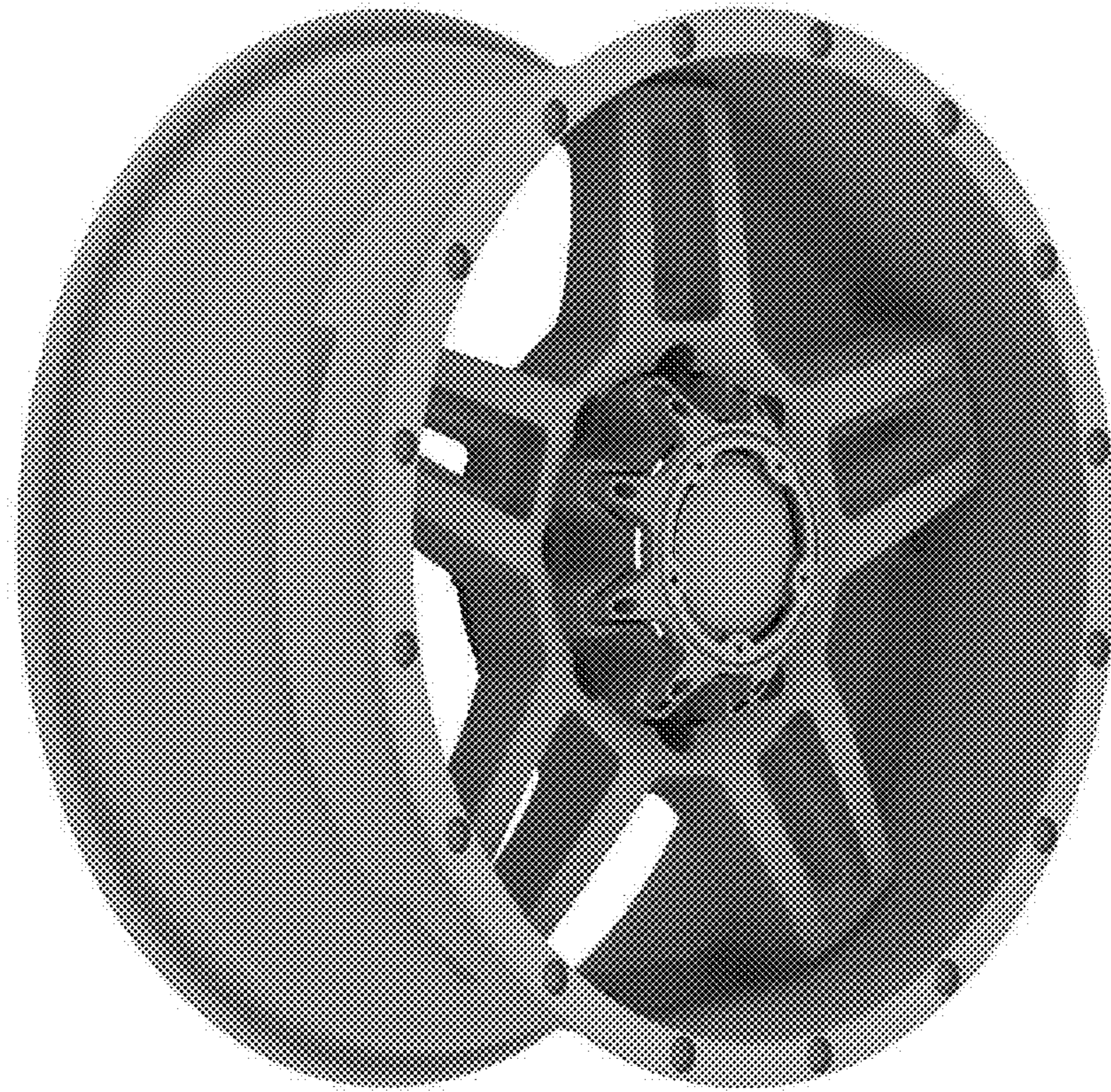


FIGURE 14

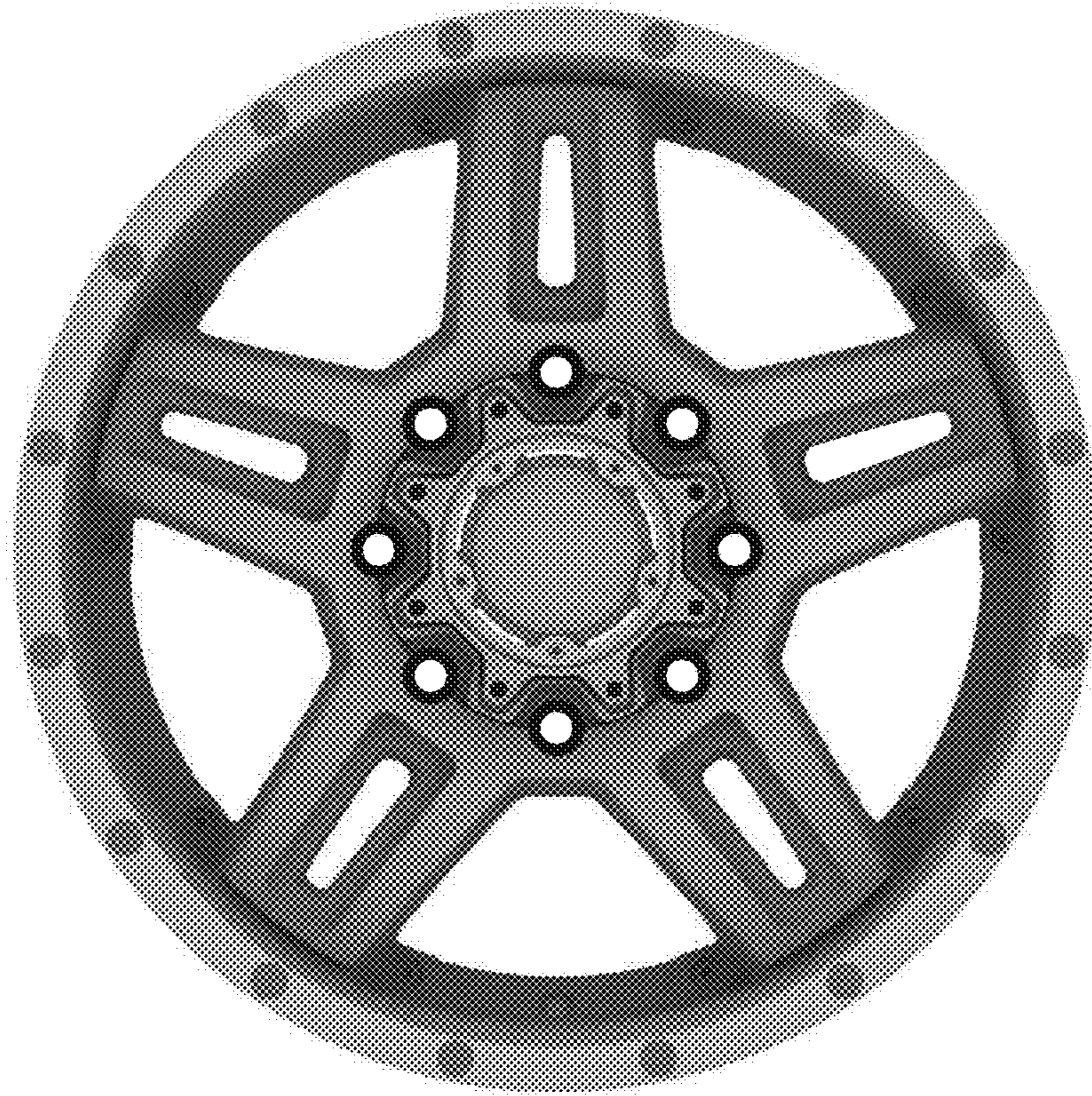


FIGURE 15

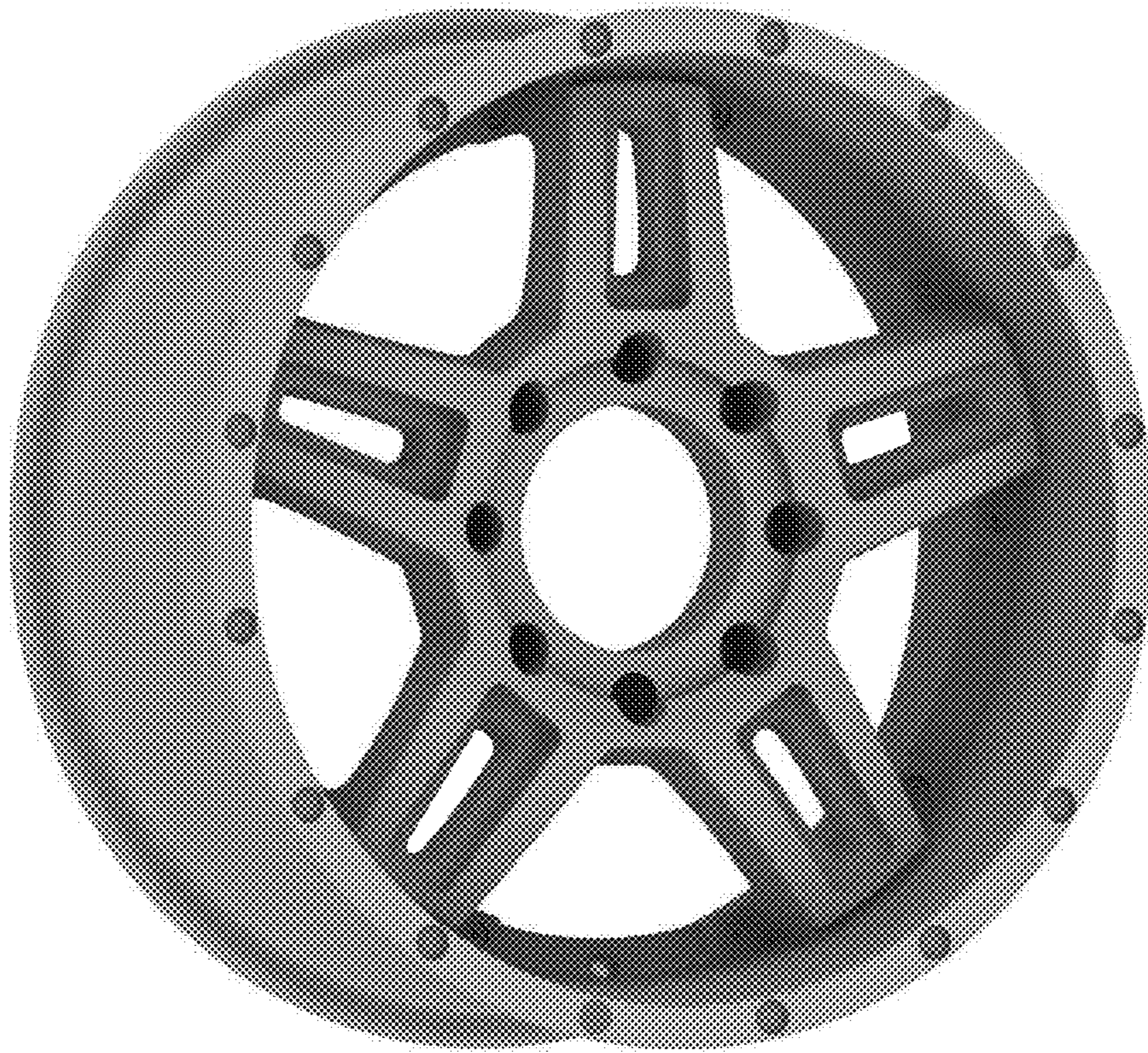


FIGURE 16

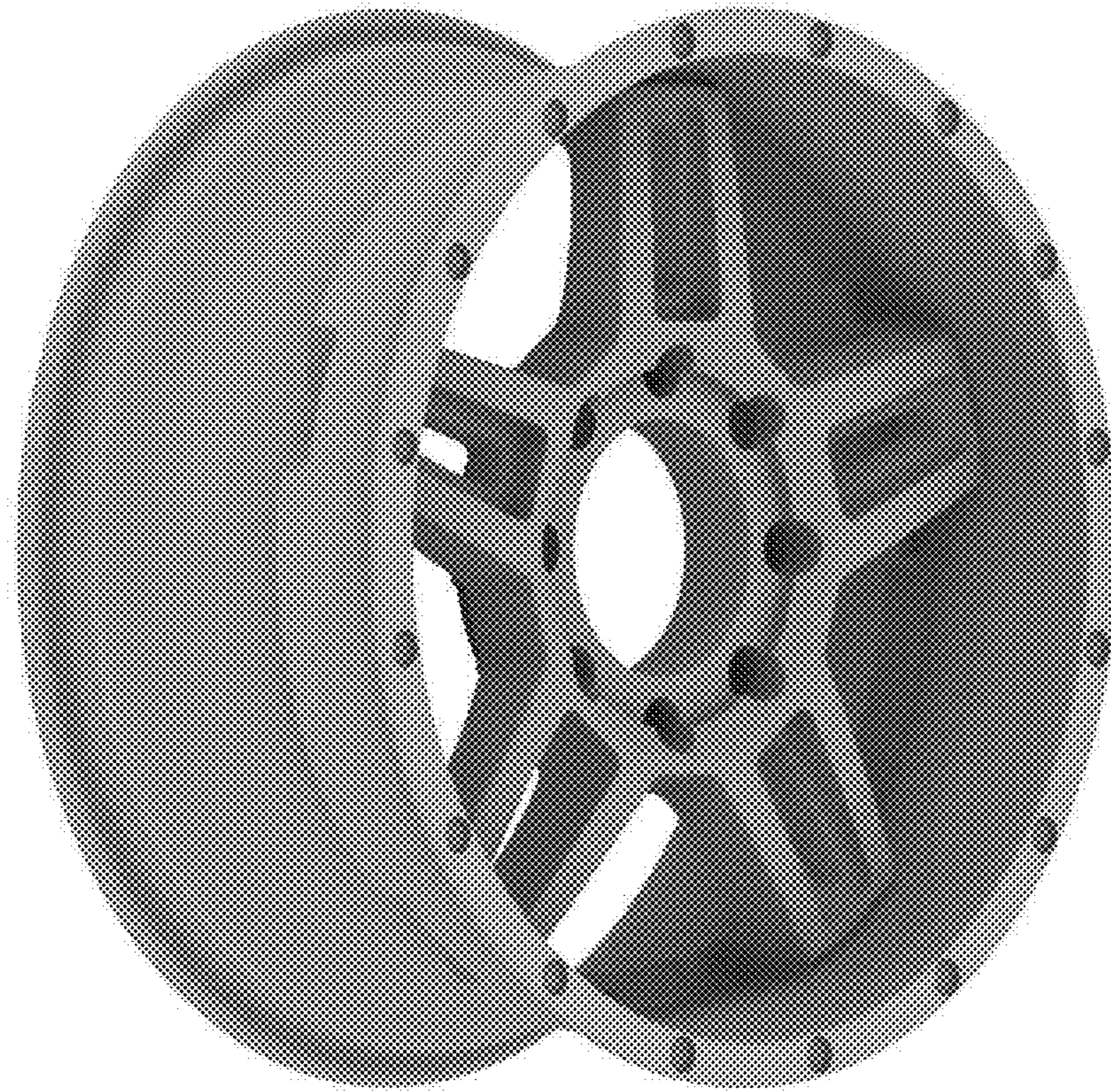


FIGURE 17

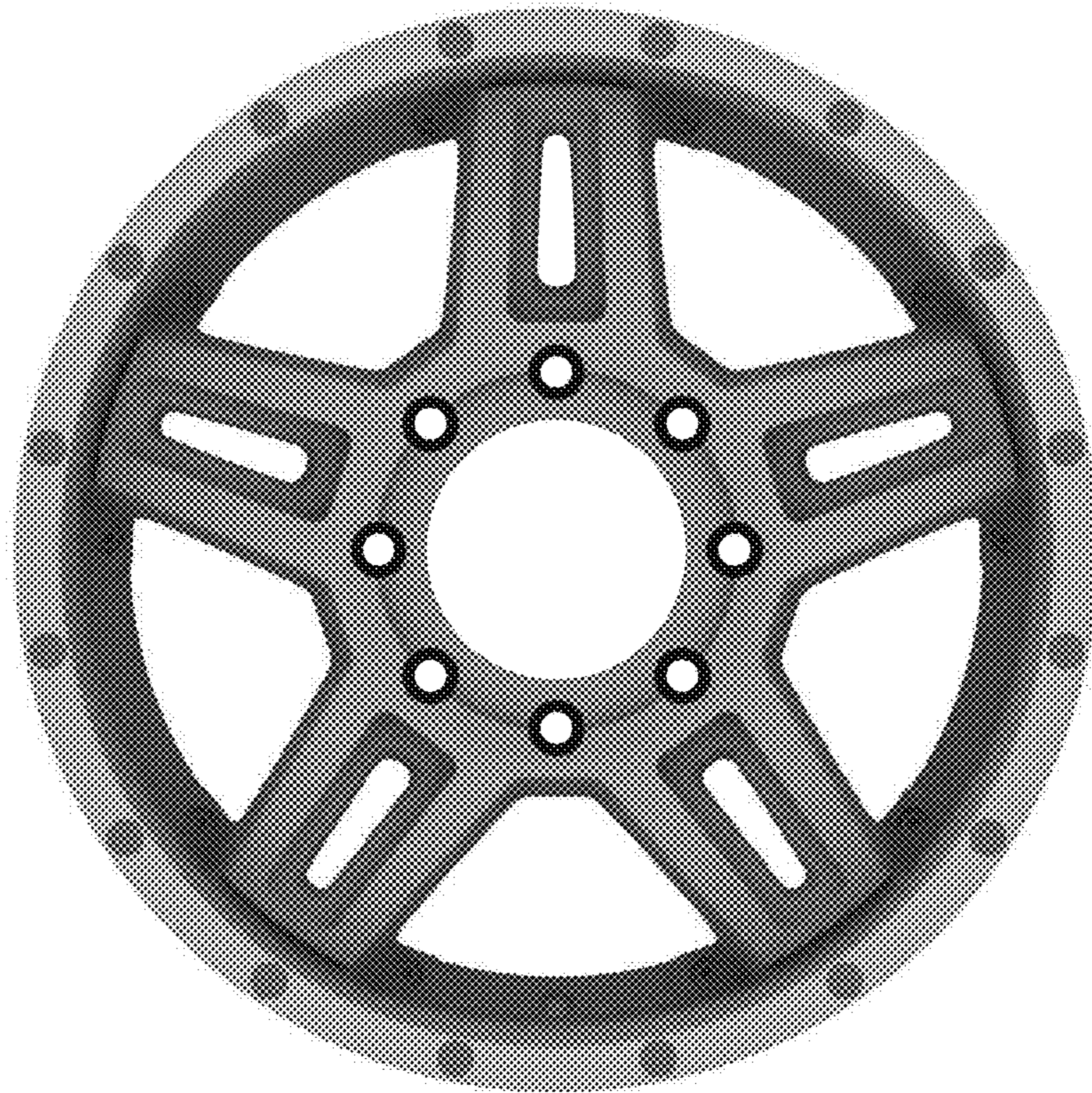


FIGURE 18



FIGURE 19

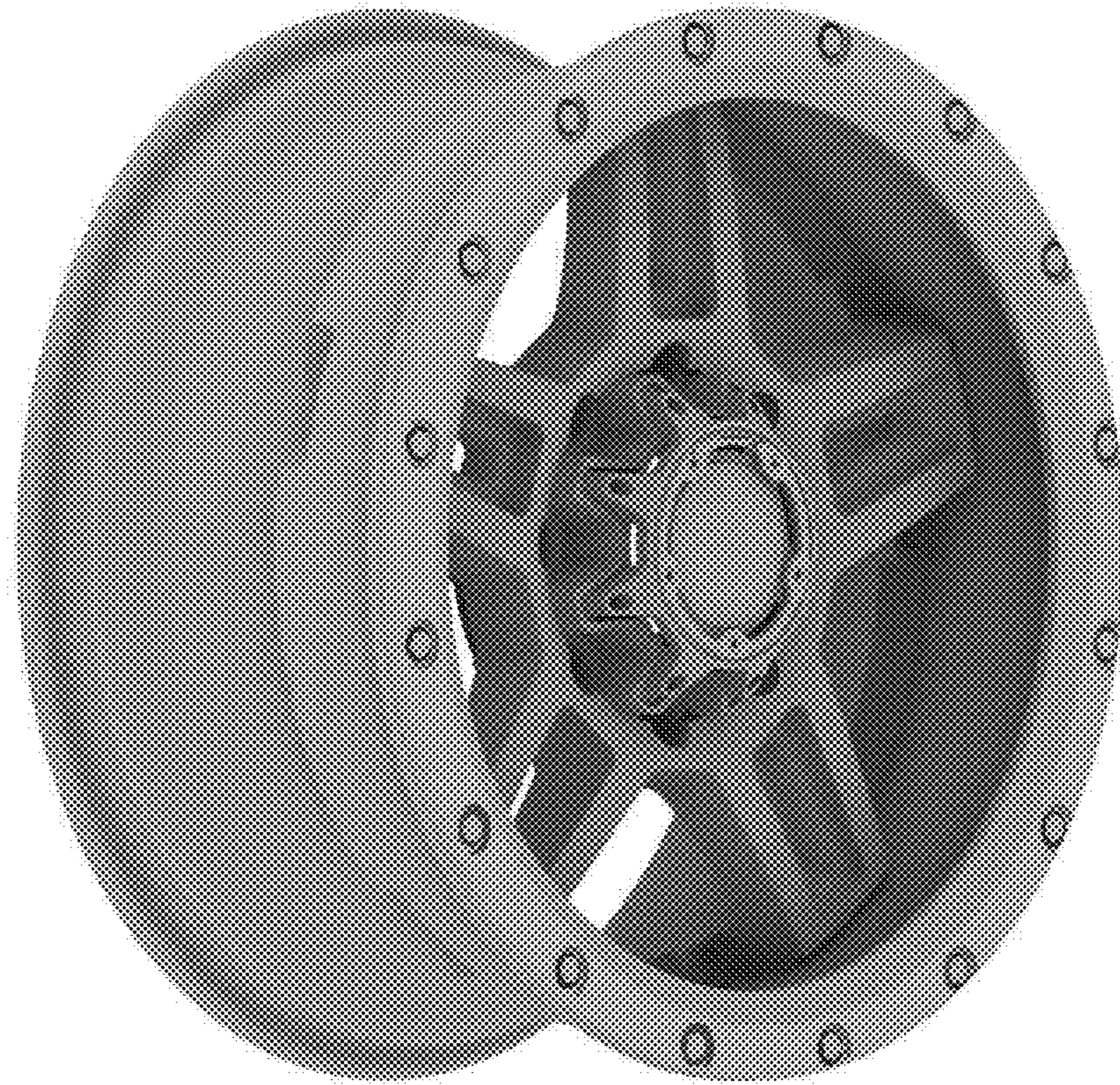


FIGURE 20



FIGURE 21



FIGURE 22

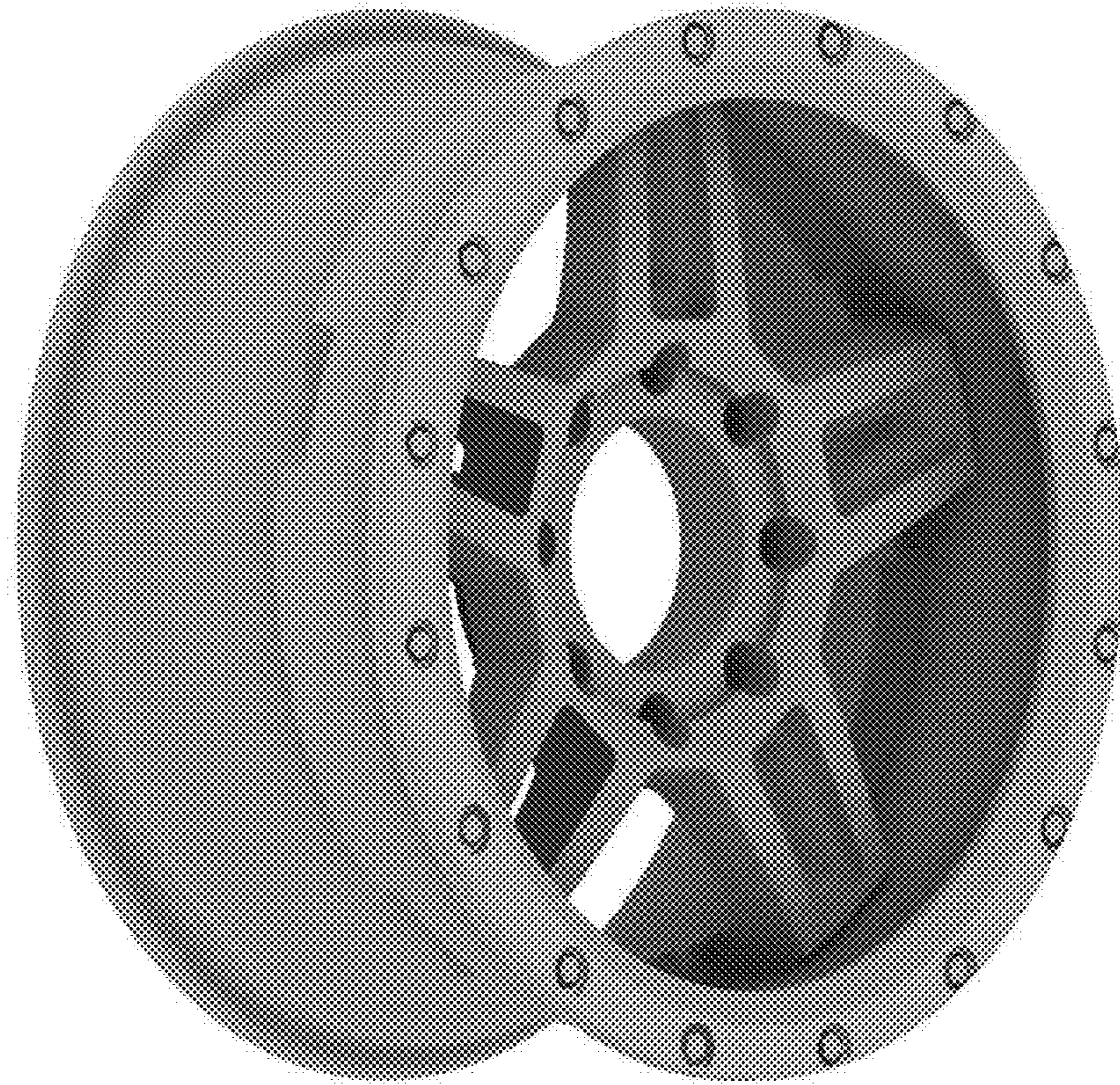


FIGURE 23

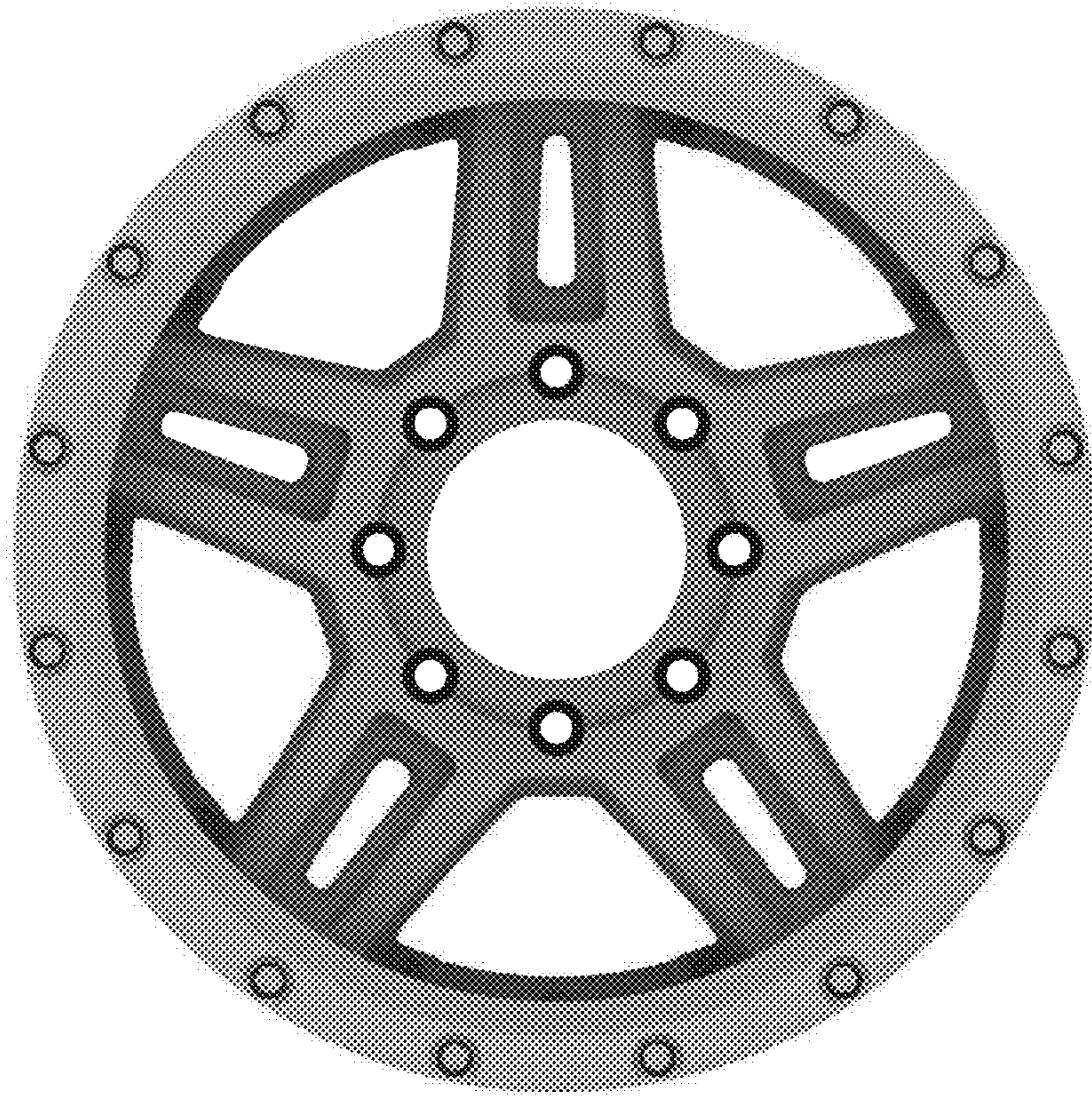


FIGURE 24

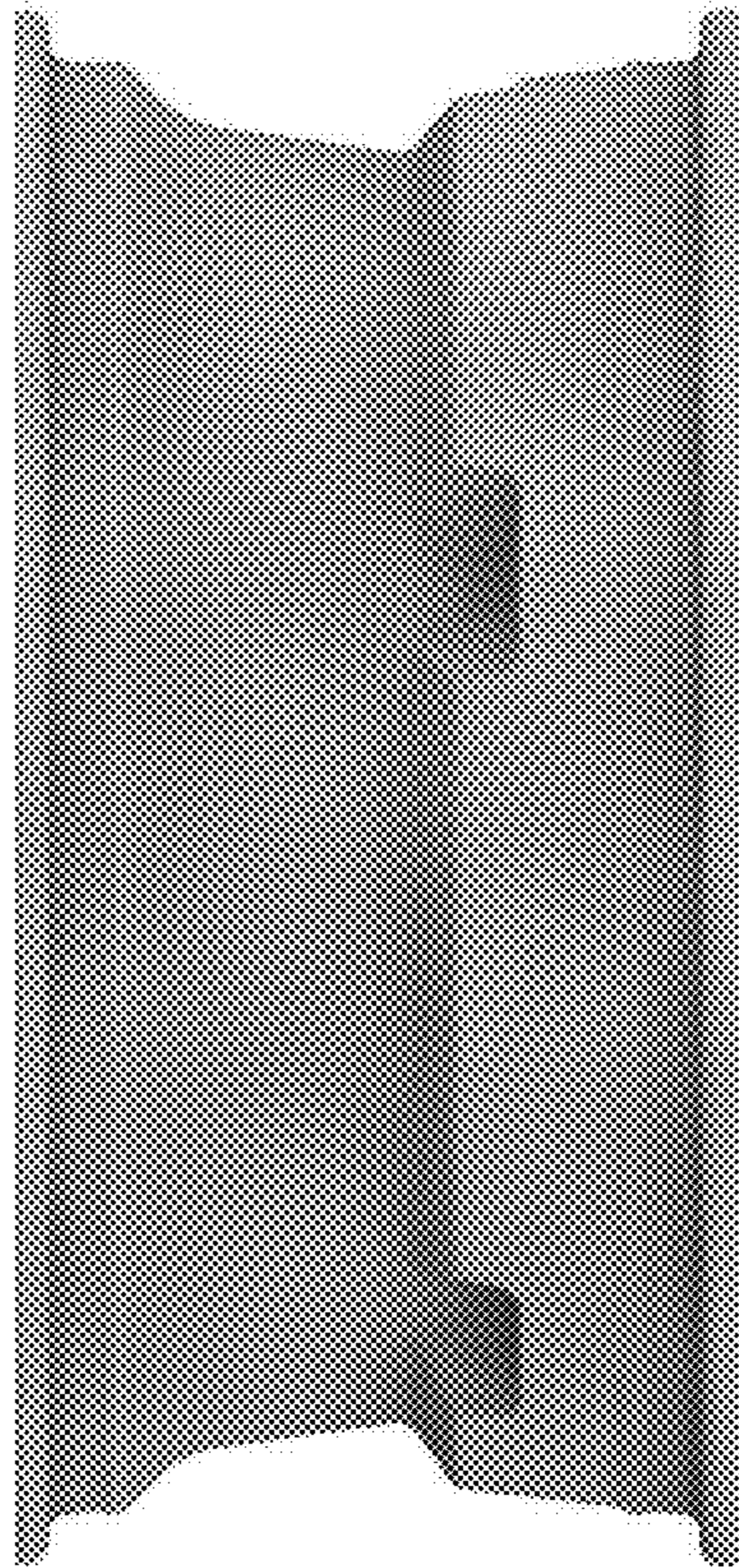


FIGURE 25

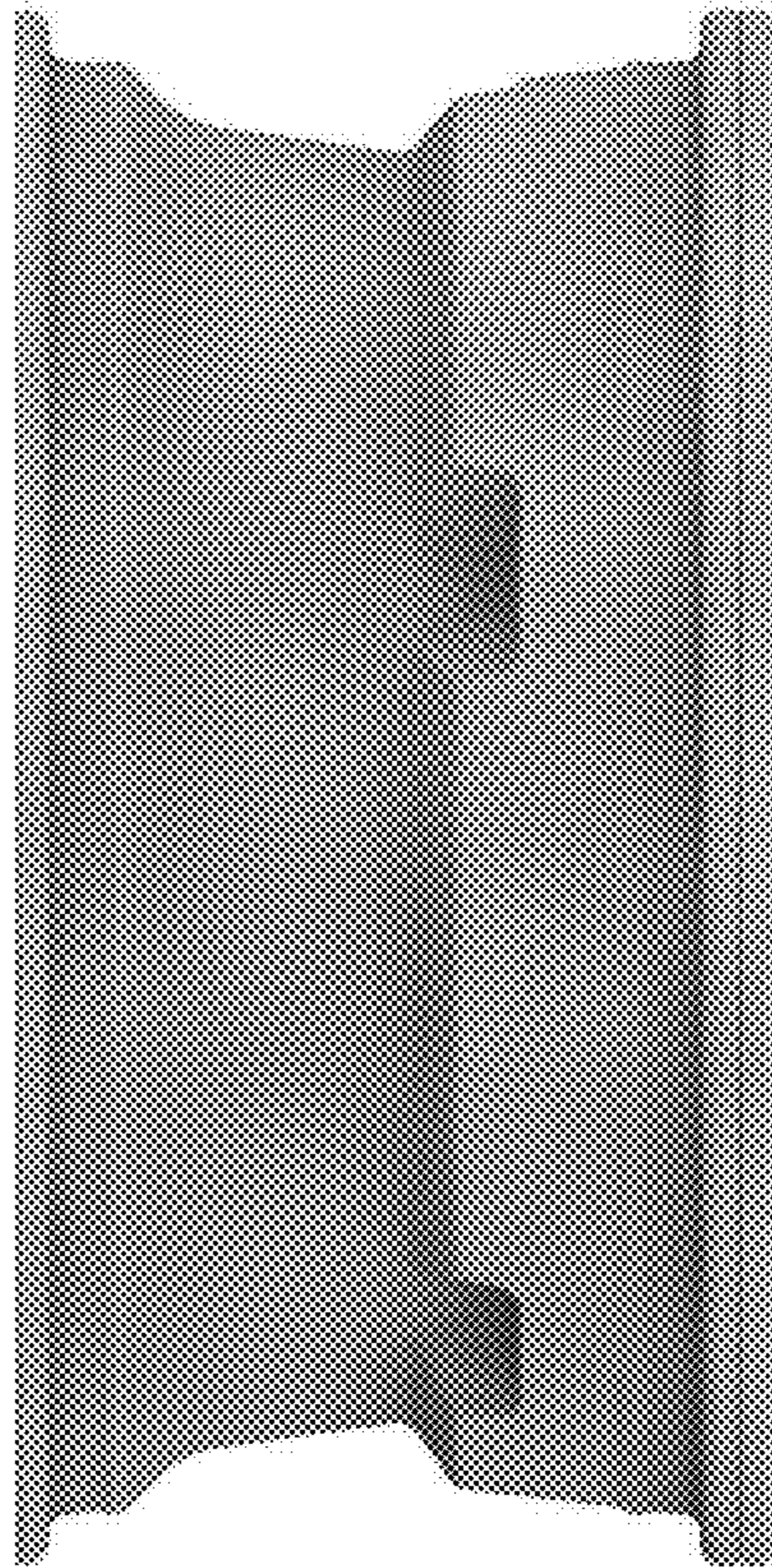


FIGURE 26

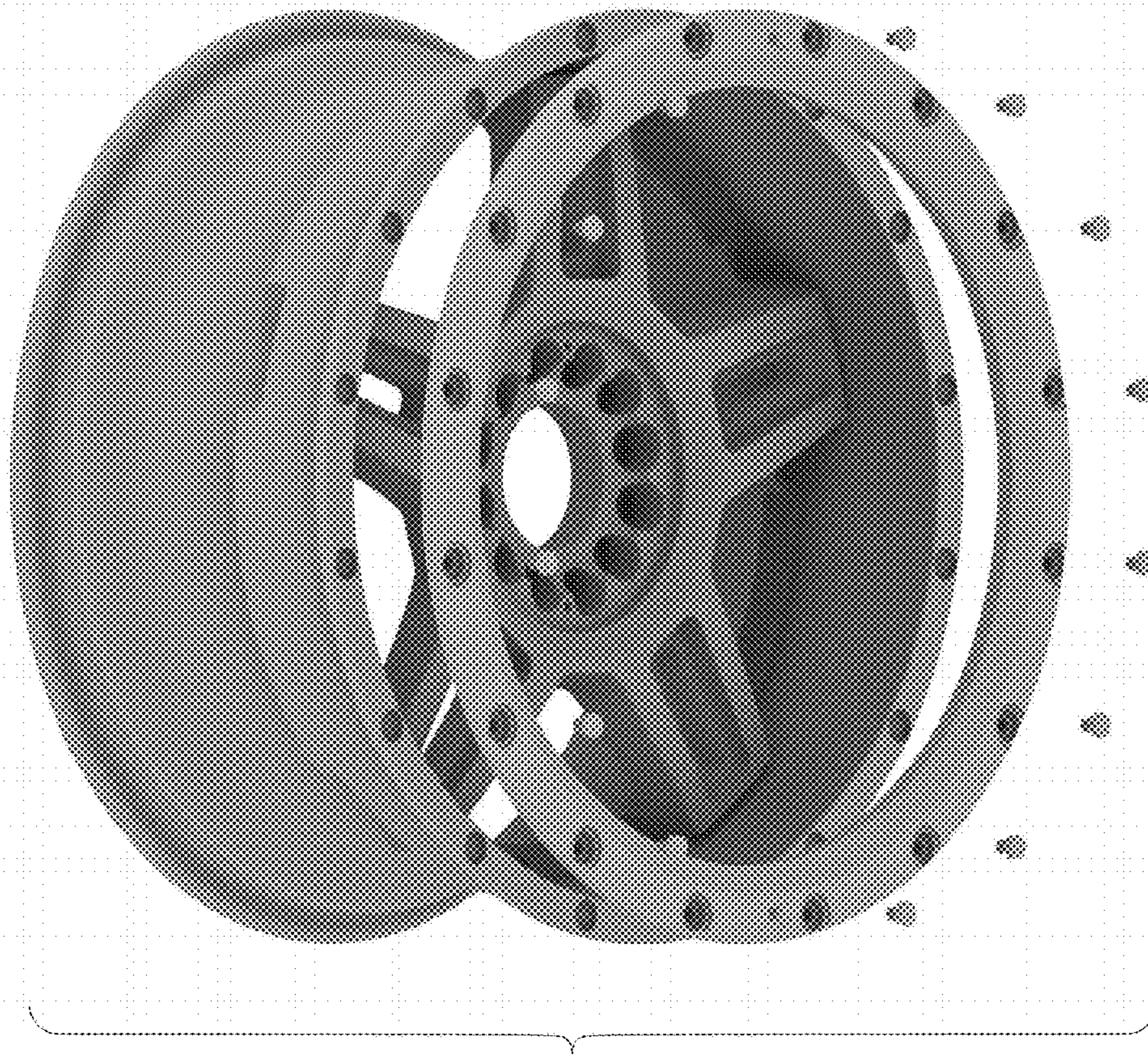


FIGURE 27