



US00D853919S

(12) **United States Design Patent** (10) **Patent No.:** **US D853,919 S**
Hazumi et al. (45) **Date of Patent:** **** Jul. 16, 2019**

(54) **INSTRUMENT PANEL FOR AN AUTOMOBILE**

B60K 37/00; B60K 37/02; B60K 37/04; B60K

(Continued)

(71) Applicants: **Saburo Hazumi**, Nagoya (JP); **Atsushi Hirose**, Nagoya (JP); **Ben Uk Chang**, Irvine, CA (US)

(56) **References Cited**

U.S. PATENT DOCUMENTS

(72) Inventors: **Saburo Hazumi**, Nagoya (JP); **Atsushi Hirose**, Nagoya (JP); **Ben Uk Chang**, Irvine, CA (US)

D625,233 S * 10/2010 Mizuhata D12/192
D660,210 S * 5/2012 Minakawa D12/192
D695,658 S * 12/2013 Igarashi D12/192

(Continued)

(73) Assignee: **TOYOTA JIDOSHA KABUSHIKI KAISHA** (JP)

FOREIGN PATENT DOCUMENTS

(**) Term: **15 Years**

DE 10137971 * 2/2003 B60R 21/09
ES 2358940 * 5/2011

(21) Appl. No.: **29/645,112**

OTHER PUBLICATIONS

(22) Filed: **Apr. 24, 2018**

Tesla Model 3 interior sets a radical new standard for auto design, BusinessIndifer.com, Matthew DeBord, Jul. 20, 2018, 8:53 AM, [online], [site visited Feb. 28, 2019]. <URL: https://www.businessinsider.com/tesla-model-3-interior-is-a-gamechanger-pictures-2018-2> (Year: 2018).*

(30) **Foreign Application Priority Data**

(Continued)

Oct. 25, 2017 (JP) 2017-023729

(51) **LOC (11) Cl.** **12-16**

Primary Examiner — T Chase Nelson

(52) **U.S. Cl.**

Assistant Examiner — Jonathan J. Han

USPC **D12/192**; D12/415

(74) *Attorney, Agent, or Firm* — Saidman DesignLaw Group, LLC

(58) **Field of Classification Search**

(57) **CLAIM**

USPC D14/157, 485, 489, 492, 488, 490, 210, D14/224.1, 258, 315; D20/28, 35; D12/191, 192, 190, 195, 345, 415-420, D12/400, 110, 114, 106, 96, 99; 296/70, 296/24.3, 37.12, 97.1, 37.18; 702/165; 345/158, 594; D10/113.4, 49, 46, 98, D10/102, 103, 122-127, 192, 110, 114; 715/839; D15/839; D21/477; 362/492; 348/118, 837; D26/139; 114/364
CPC ... B60R 21/045; B60R 2300/305; B60R 7/04; B60R 7/06; B60R 7/08; B60K 35/00;

The ornamental design for an instrument panel for an automobile, as shown and described.

DESCRIPTION

FIG. 1 is a perspective view of an instrument panel for an automobile showing our new design;
FIG. 2 is a front view thereof;
FIG. 3 is a rear view thereof;
FIG. 4 is a left side view thereof;
FIG. 5 is a right side view thereof;
FIG. 6 is a top view thereof; and,

(Continued)

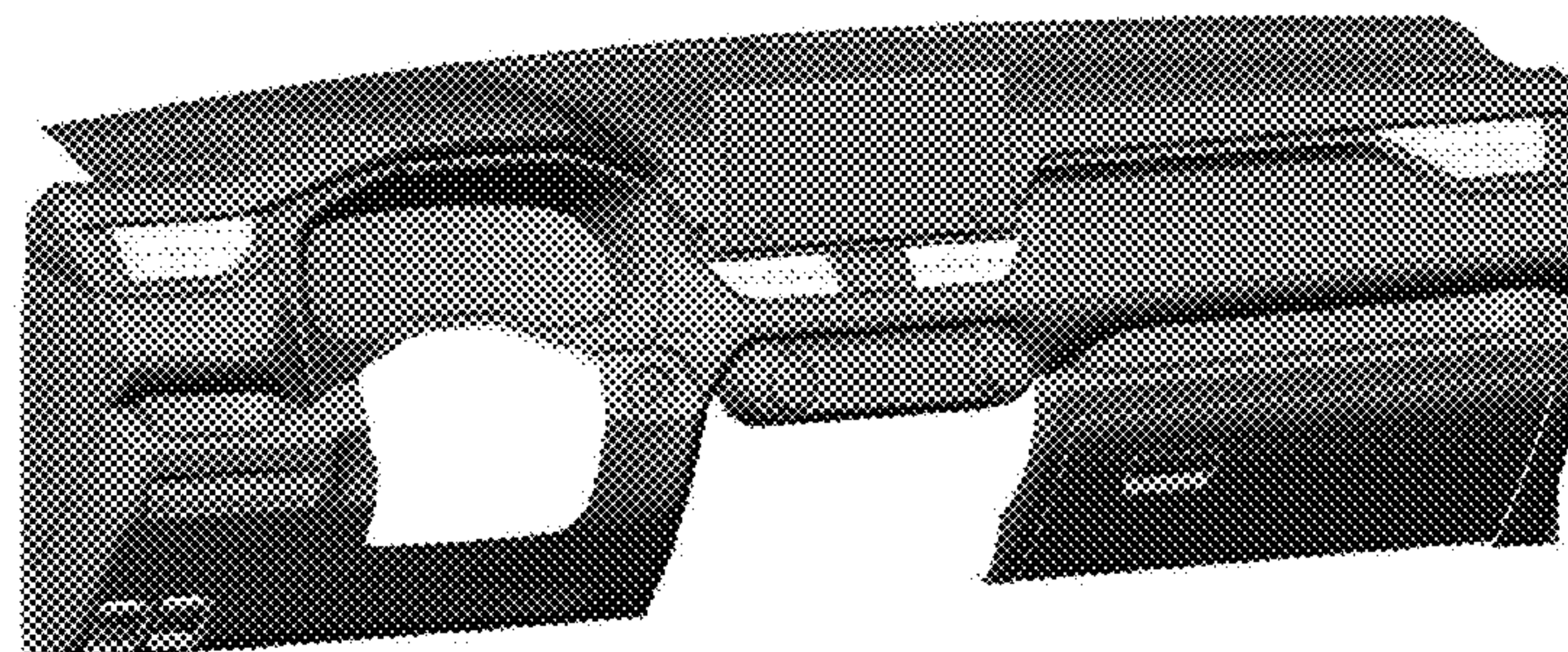


FIG. 7 is a bottom view thereof.
The claimed design is indicated by the relatively dark portions in the figures. The relatively light portions form no part of the claimed design.

1 Claim, 7 Drawing Sheets

(58) **Field of Classification Search**
CPC 37/06; G06F 3/04817; H04N 21/4307;
H04N 21/4312
See application file for complete search history.

(56) **References Cited**

U.S. PATENT DOCUMENTS

D696,171	S	*	12/2013	Iwauchi	D12/192
D697,459	S	*	1/2014	Yamada	D12/192
D697,461	S	*	1/2014	Norman	D12/192
D697,463	S	*	1/2014	Yamamoto	D12/192
D697,848	S	*	1/2014	Maruyama	D12/192
D697,849	S	*	1/2014	Tanaka	D12/192
D697,853	S	*	1/2014	Uk Chang	D12/192
D704,608	S	*	5/2014	Kanda	D12/192
D704,610	S	*	5/2014	Mizuhata	D12/192
D705,142	S	*	5/2014	Yamamoto	D12/192
D726,612	S	*	4/2015	Wiedeman	D12/192
D727,231	S	*	4/2015	Narita	D12/192
D730,793	S	*	6/2015	Ishikawa	D12/192
D731,940	S	*	6/2015	Okabe	D12/192

D733,021	S	*	6/2015	Takagi	D12/192
D756,279	S	*	5/2016	Shouno	D12/192
D771,541	S	*	11/2016	Shouno	D12/192
D778,796	S	*	2/2017	Gommier	D12/192
D791,026	S	*	7/2017	Willis	D12/192
D791,664	S	*	7/2017	Igarashi	D12/192
D804,380	S	*	12/2017	Nakai	D12/192
D810,643	S	*	2/2018	Takamura	D12/192
D813,769	S	*	3/2018	Yaguchi	D12/192
D826,813	S	*	8/2018	Carr	D12/192
D830,927	S	*	10/2018	Tanaka	D12/192
D836,510	S	*	12/2018	Nakai	D12/192
D840,305	S	*	2/2019	Chang	D12/192

OTHER PUBLICATIONS

Volvo Polestar 2 is the first car to include Google's native dashboard, Mashable.com, by Sasha Lekach, Feb. 27, 2019, [online], [site visited Feb. 28, 2019]. <URL: <https://mashable.com/article/polestar-volvo-electric-vehicle-google-infotainment/>> (Year: 2019).*

Video: smart navigation system turns car dashboard into interactive 3-D display, Zdnet.com, By Tuan Nguyen, May 4, 2011, [online], [site visited Feb. 28, 2019]. <URL: <https://www.zdnet.com/article/video-smart-navigation-system-turns-car-dashboard-into-interactive-3-d-display/>> (Year: 2011).*

NETCARSHOW, Lexus RX350 (2016), <https://www.netcarshow.com/lexus/2016-rx_350/>, available as early as Jul. 27, 2017.

THETRUTHABOUTCARS, Land Rover Evoque (2013), <<http://www.thetruthaboutcars.com/2012/11/review-2013-land-rover-range-rover-evoque-video/>>, available as early as Jul. 27, 2017.

* cited by examiner

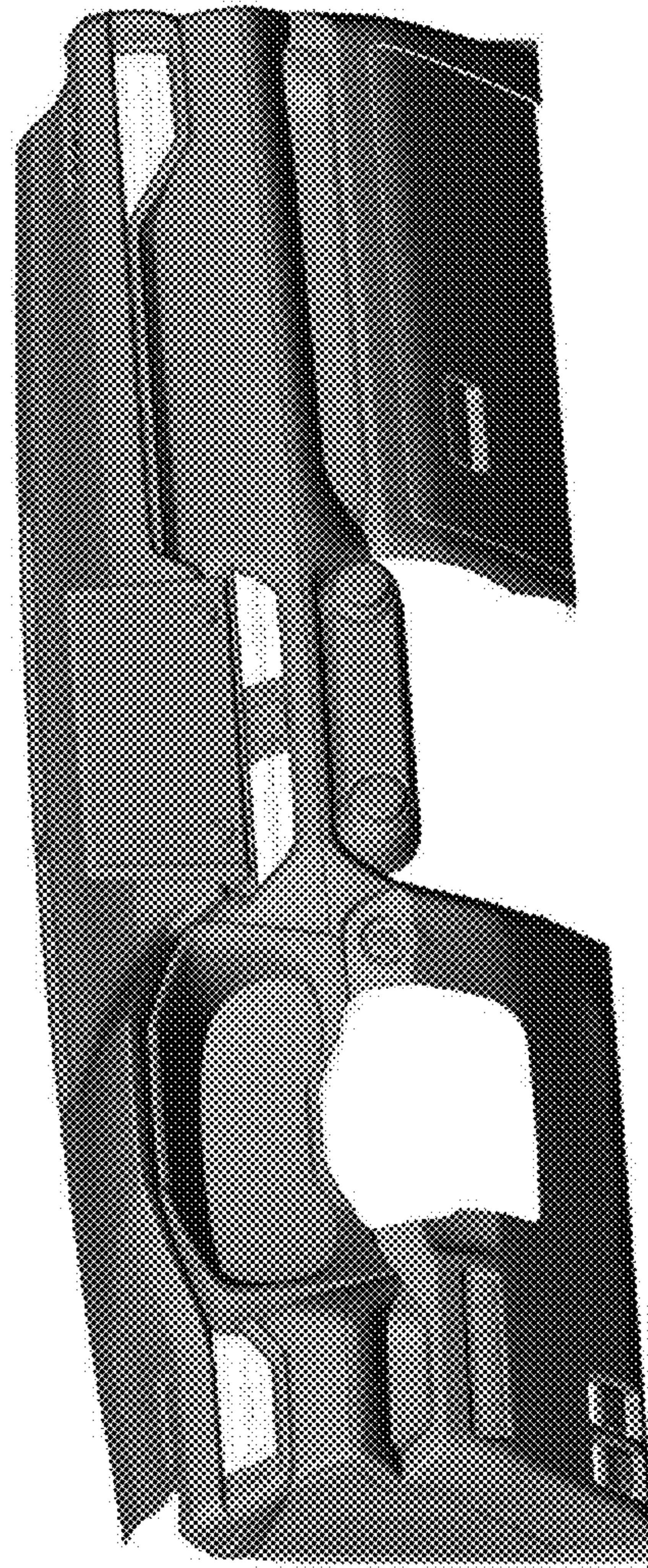


FIG. 1

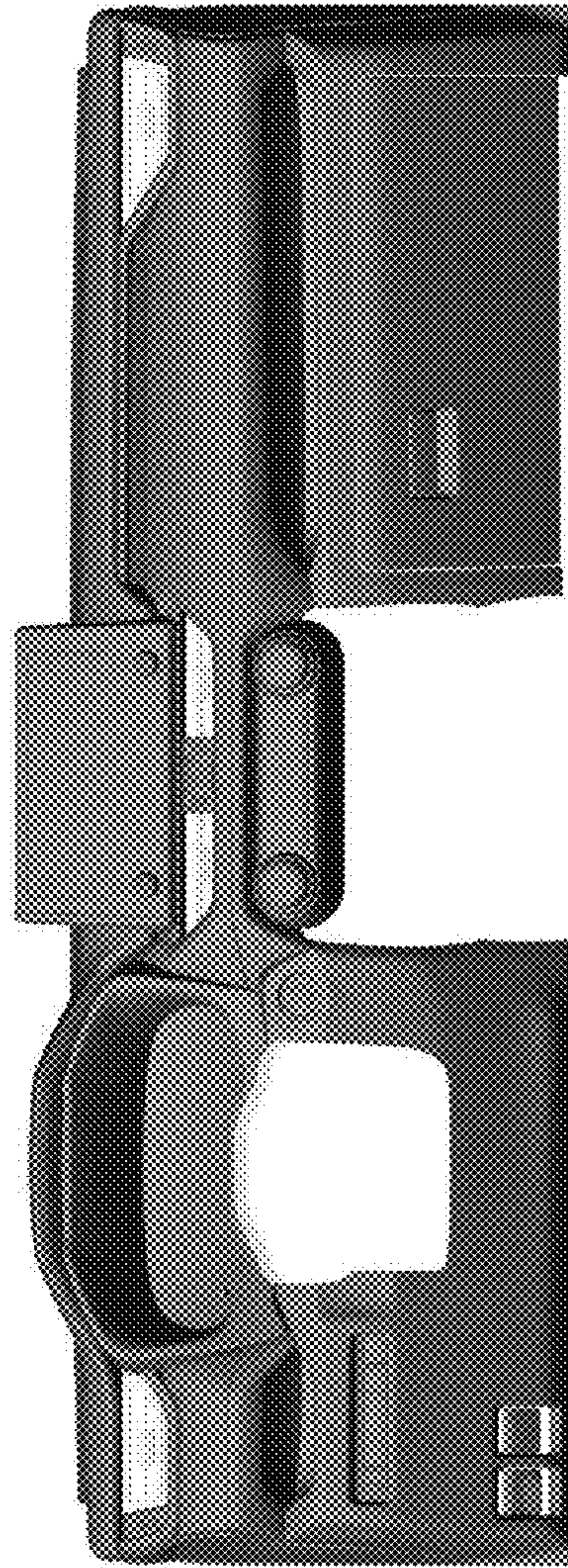


FIG. 2

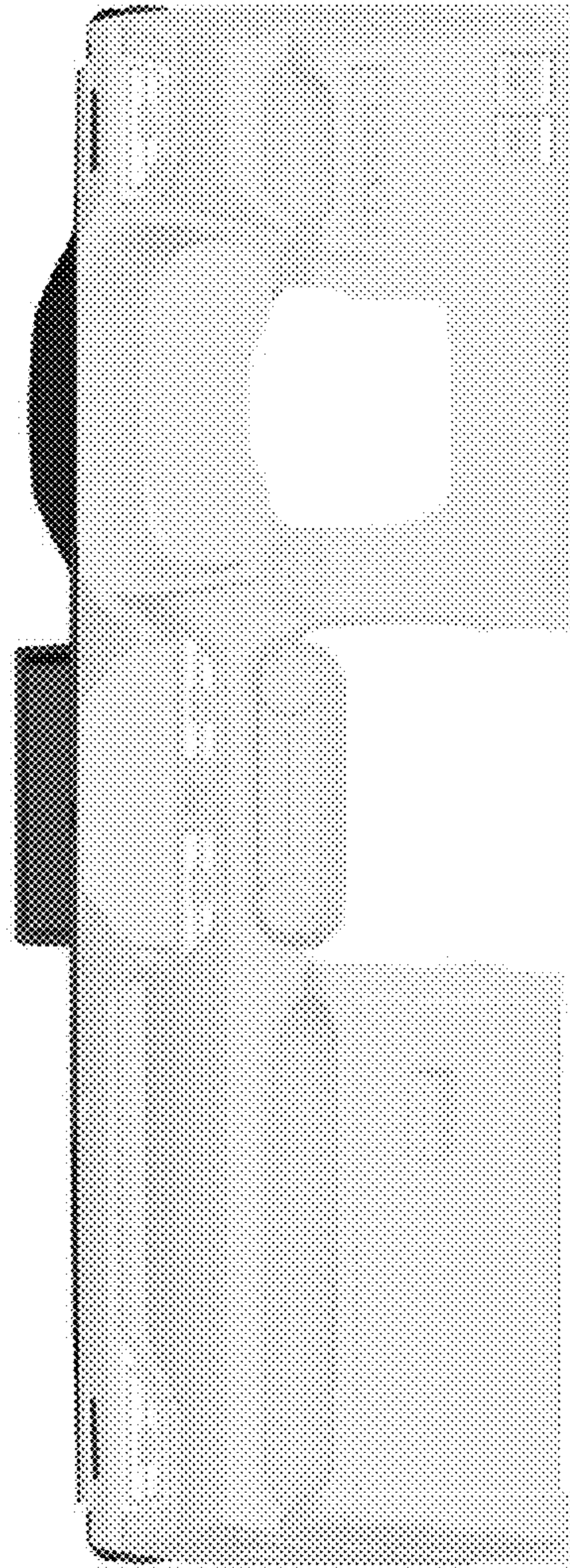


FIG. 3

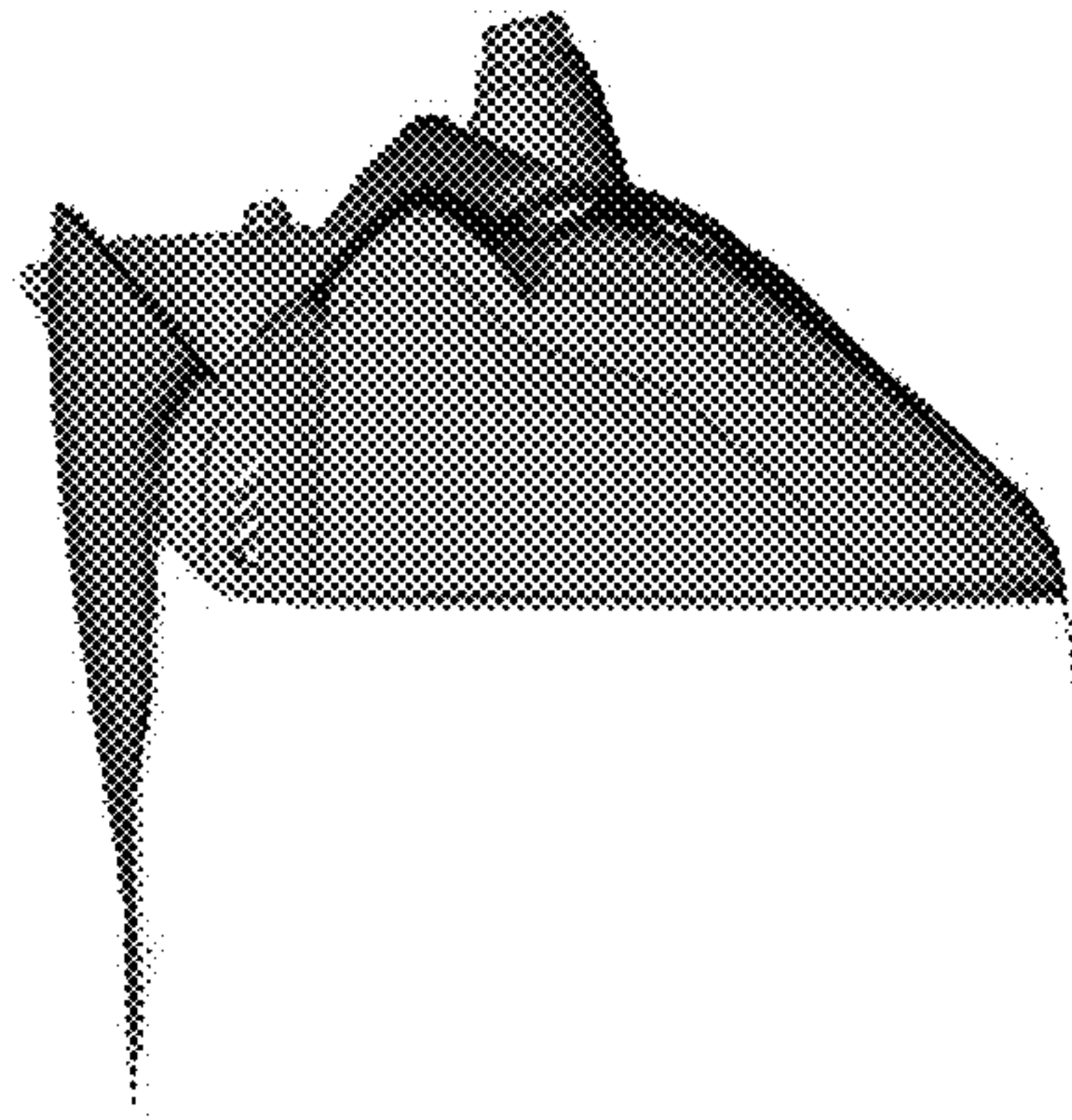


FIG. 4

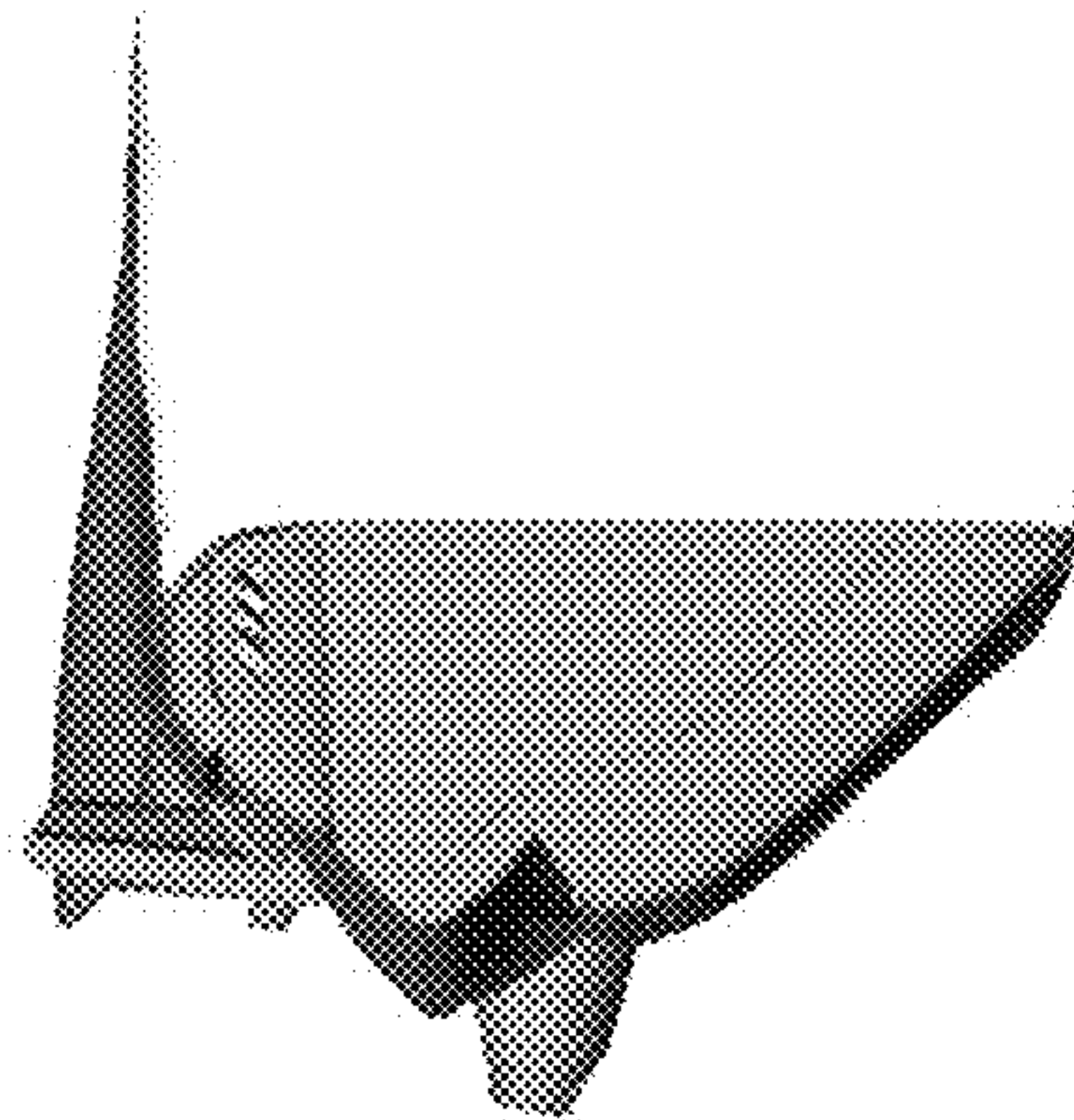


FIG. 5

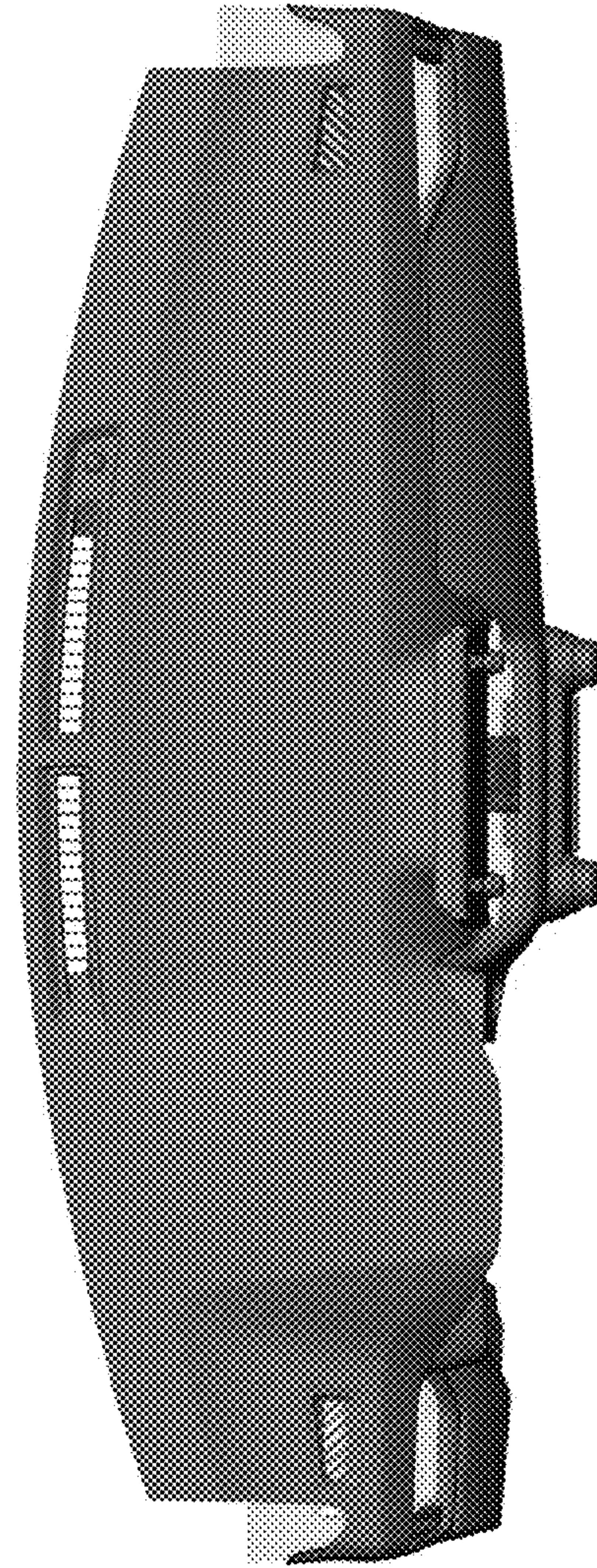


FIG. 6

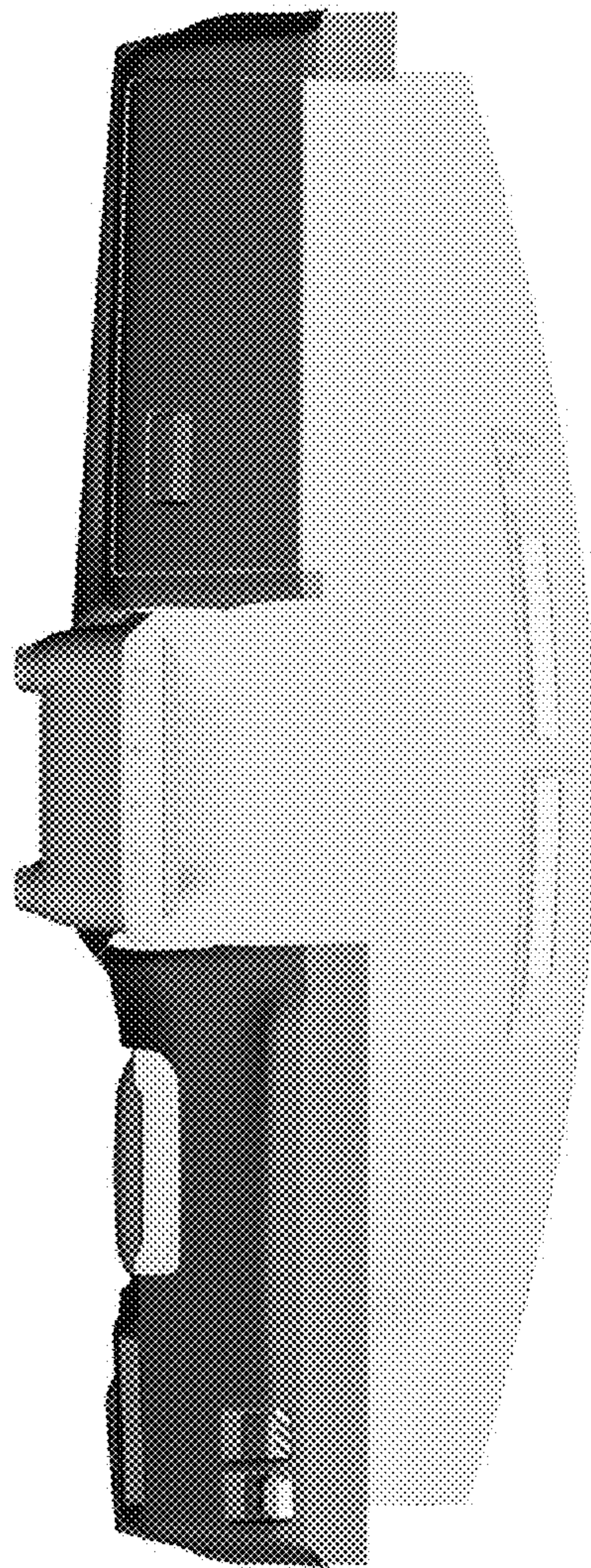


FIG. 7