



US00D853918S

(12) **United States Design Patent**
Satou et al.

(10) **Patent No.:** **US D853,918 S**
(45) **Date of Patent:** **** Jul. 16, 2019**

(54) **INSTRUMENT PANEL FOR AN
AUTOMOBILE**

(71) Applicant: **Nissan Motor Co., Ltd.**, Yokohama,
Kanagawa (JP)

(72) Inventors: **Atsushi Satou**, Kanagawa (JP);
Masahiro Matsuda, Kanagawa (JP);
Shigeyoshi Kabata, Kanagawa (JP);
Sachiko Tanaka, Kanagawa (JP)

(73) Assignee: **Nissan Motor Co., Ltd.**, Yokohama
(JP)

(**) Term: **15 Years**

(21) Appl. No.: **29/558,237**

(22) Filed: **Mar. 16, 2016**

(30) **Foreign Application Priority Data**

Sep. 17, 2015 (JP) 2015-020707

(51) **LOC (11) Cl.** **12-16**

(52) **U.S. Cl.**
USPC **D12/192**

(58) **Field of Classification Search**
USPC D21/477, 433; D10/102, 49, 46, 98, 103,
D10/122-127, 53; D12/192, 110, 114,
(Continued)

(56) **References Cited**

U.S. PATENT DOCUMENTS

D558,110 S * 12/2007 Ozeki D12/192
7,712,814 B2 * 5/2010 Matsui B60R 7/06
16/387

(Continued)

FOREIGN PATENT DOCUMENTS

JP D1234573 S 3/2005
JP D1266740 S 3/2009

(Continued)

Primary Examiner — Shannon W Morgan

Assistant Examiner — Altaira J Swangin

(74) *Attorney, Agent, or Firm* — Global IP Counselors,
LLP

(57) **CLAIM**

The ornamental design for an instrument panel for an
automobile, as shown and described.

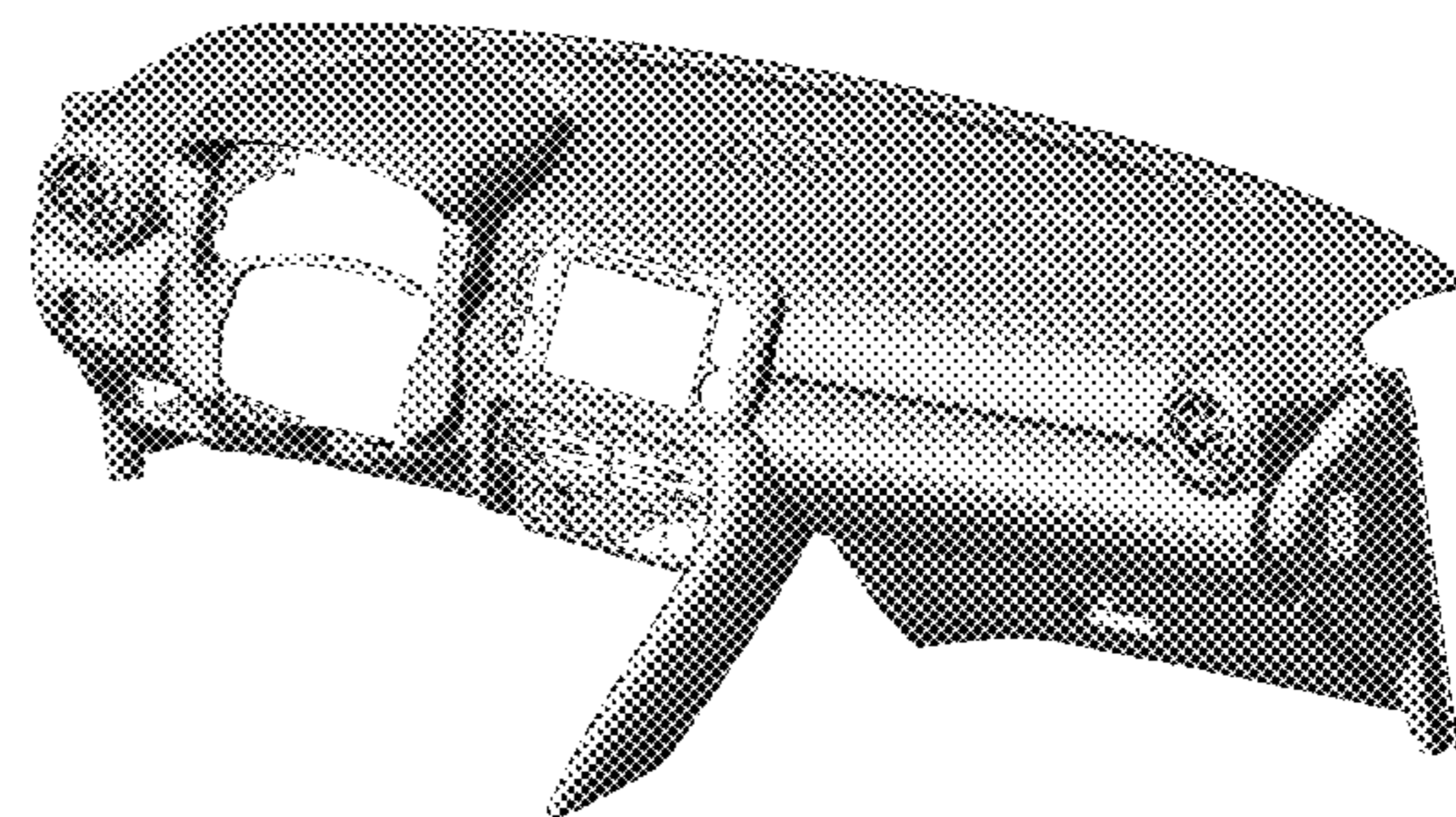
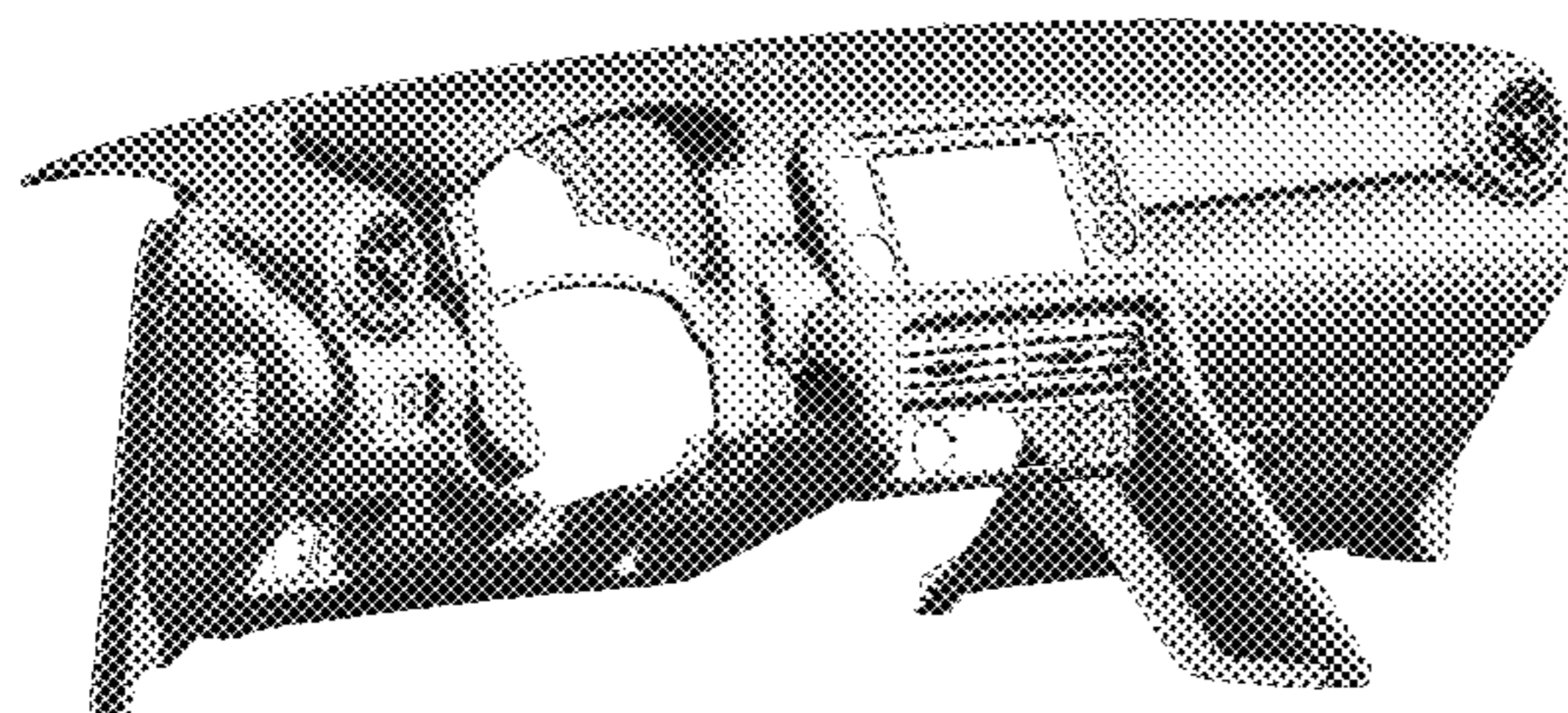
DESCRIPTION

FIG. 1 is a front elevational view of an instrument panel for
an automobile in accordance with our new design;
FIG. 2 is a top plan view of the instrument panel in
accordance with our new design of FIG. 1;
FIG. 3 is a bottom plan view of the instrument panel in
accordance with our new design of FIGS. 1 and 2;
FIG. 4 is a right side elevational view of the instrument panel
in accordance with our new design of FIGS. 1 to 3;
FIG. 5 is a left side elevational view of the instrument panel
in accordance with our new design of FIGS. 1 to 4;
FIG. 6 is a front, left side perspective view of the instrument
panel in accordance with our new design of FIGS. 1 to 5;
and,
FIG. 7 is a front, right side perspective view of the instru-
ment panel in accordance with our new design of FIGS. 1 to
6.

The instrument panel is configured to be mounted to an
automobile. The structures shown in broken lines in FIGS.
1 to 7 form no part of the claimed design since the mounting
structure and support structure are hidden when the instru-
ment panel is mounted to the automobile.

A second embodiment of our new design consists of the
mirror image of the instrument panel for an automobile
shown in FIGS. 1 to 7.

1 Claim, 7 Drawing Sheets



(58) **Field of Classification Search**

USPC D12/415; 296/97.1, 37.18, 70, 37.12;
 362/492; 702/165; D14/157, 210, 224.1,
 D14/258, 315; D15/17, 28; 348/118,
 348/837; D26/139; 114/364
 CPC B60R 21/045; B60R 11/02; B60K 35/00;
 B60K 37/00; B60H 3/06
 See application file for complete search history.

(56) **References Cited**

U.S. PATENT DOCUMENTS

D642,104	S	*	7/2011	Nagode	D12/192
D695,658	S	*	12/2013	Igarashi	D12/192
D697,460	S	*	1/2014	Matsuda	D12/192
D697,848	S	*	1/2014	Maruyama	D12/192
D697,849	S	*	1/2014	Tanaka	D12/192
D705,142	S	*	5/2014	Yamamoto	D12/192
D705,144	S	*	5/2014	Ishikawa	D12/192
D730,793	S		6/2015	Ishikawa		
D737,186	S	*	8/2015	Nakao	D12/192
D756,279	S	*	5/2016	Shouno	D12/192
D763,154	S	*	8/2016	Chang	D12/192
D763,155	S	*	8/2016	Sahs	D12/192

D770,953	S	*	11/2016	Tanaka	D12/192
9,688,005	B2	*	6/2017	Bharathan	B60K 37/00
D803,743	S	*	11/2017	Igarashi	D12/192
D813,127	S	*	3/2018	Yamamoto	D12/192
D826,122	S	*	8/2018	Yamamoto	D12/192
D828,260	S	*	9/2018	Takagi	D12/192
D830,927	S	*	10/2018	Tanaka	D12/192
D835,566	S	*	12/2018	Gaudreau	D12/415
D836,510	S	*	12/2018	Nakai	D12/192
D840,305	S	*	2/2019	Chang	D12/192
2017/0129426	A1	*	5/2017	Smith	B60R 16/037
2017/0146809	A1	*	5/2017	Furuya	G02B 27/48
2017/0190254	A1	*	7/2017	Taguchi	B60K 35/00
2017/0253122	A1	*	9/2017	Jun	B60K 35/00
2017/0253181	A1	*	9/2017	Choi	B60Q 9/008

FOREIGN PATENT DOCUMENTS

JP	D1480094	S	9/2013
JP	D1503270	S	7/2014
JP	D1503356	S	7/2015
JP	D1530132	S	8/2015
JP	D1530313	S	8/2015
JP	D1530339	S	8/2015

* cited by examiner

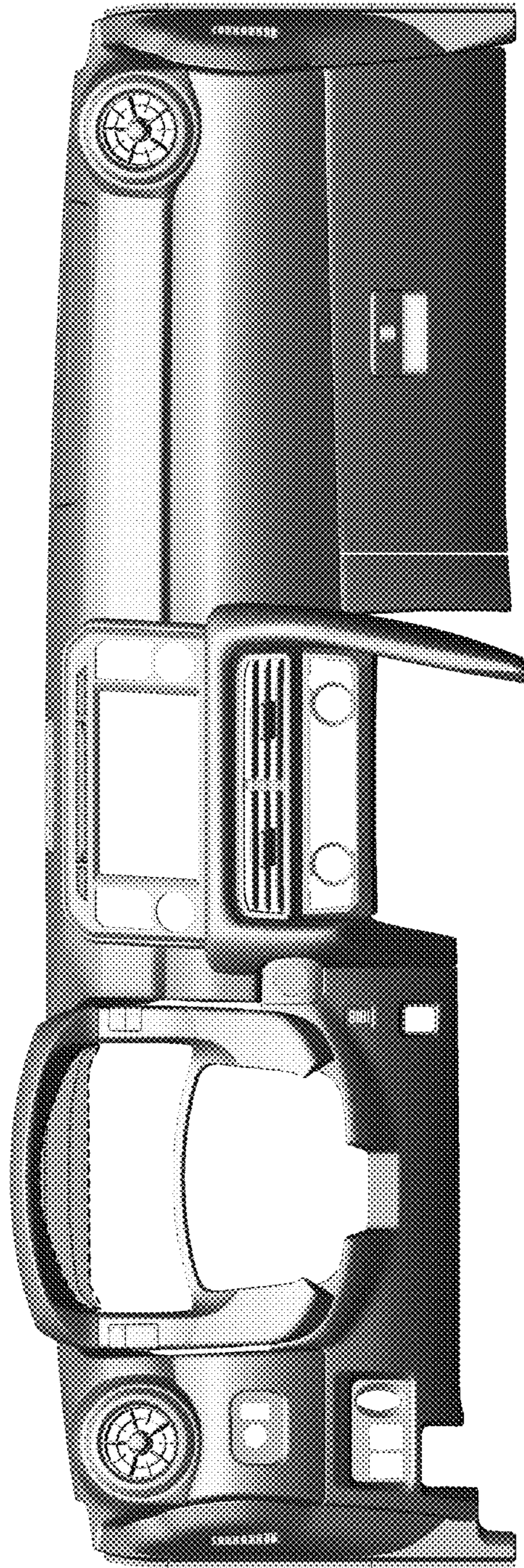


FIG. 1



FIG. 2

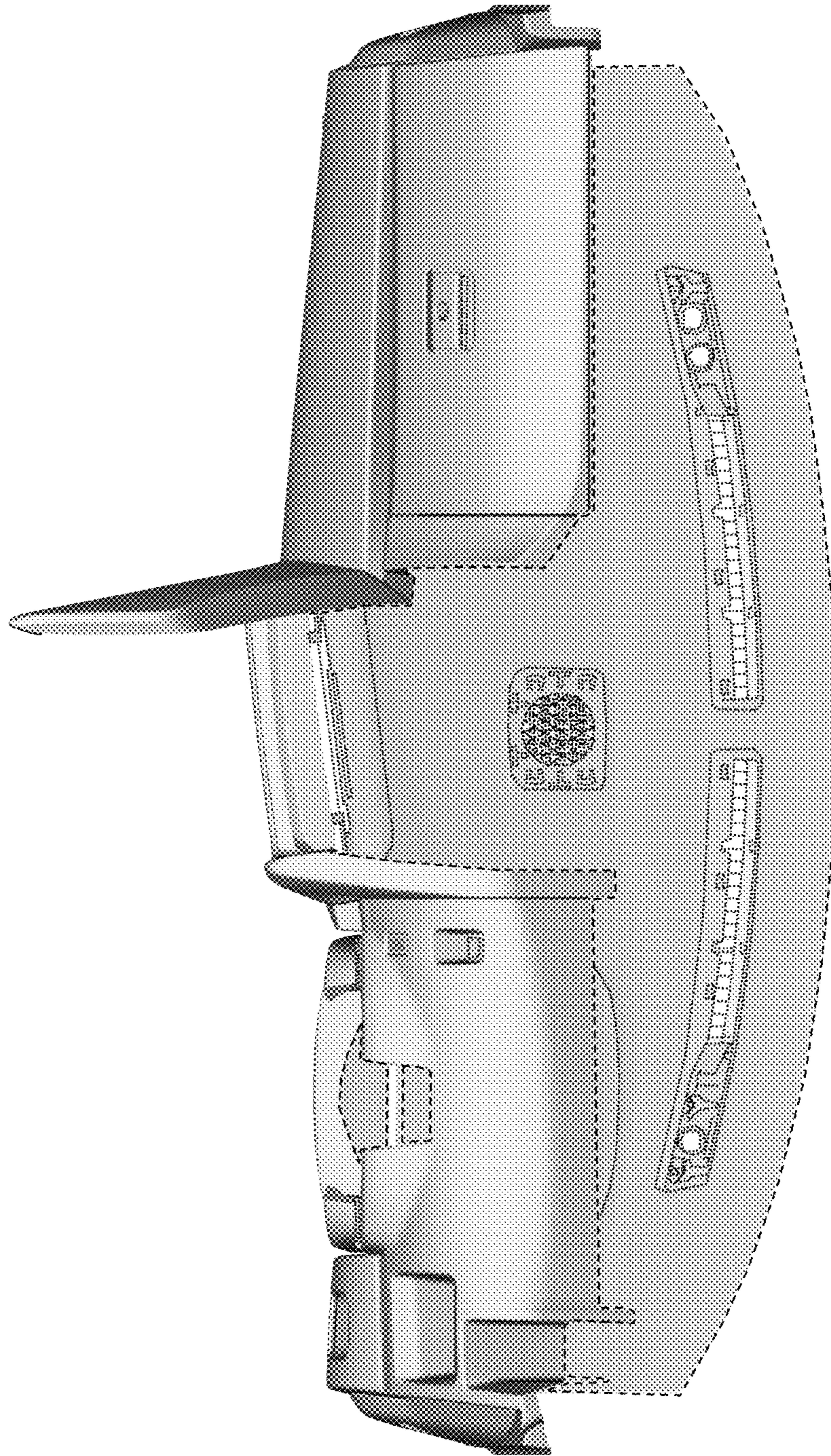


FIG. 3

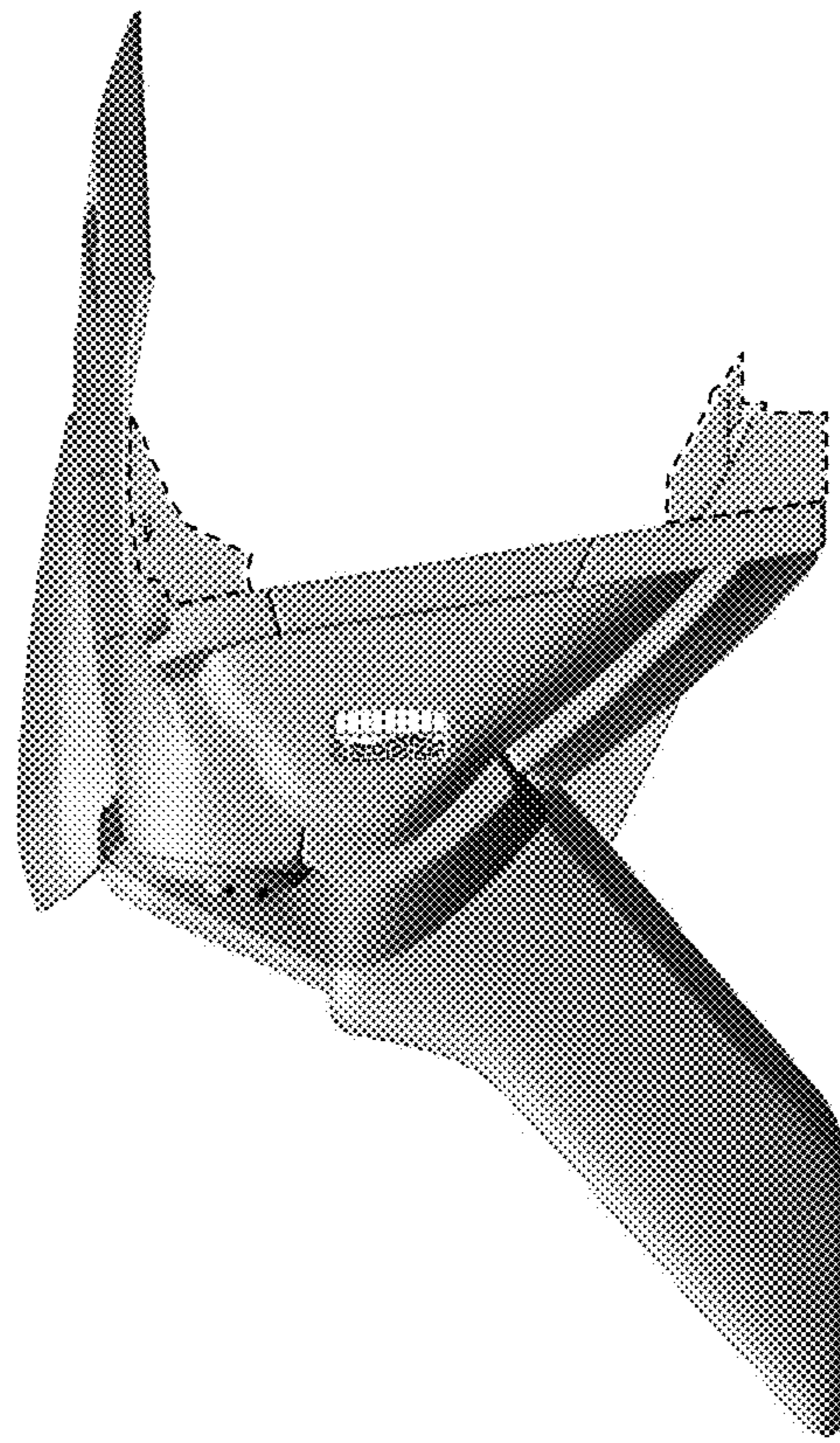


FIG. 4

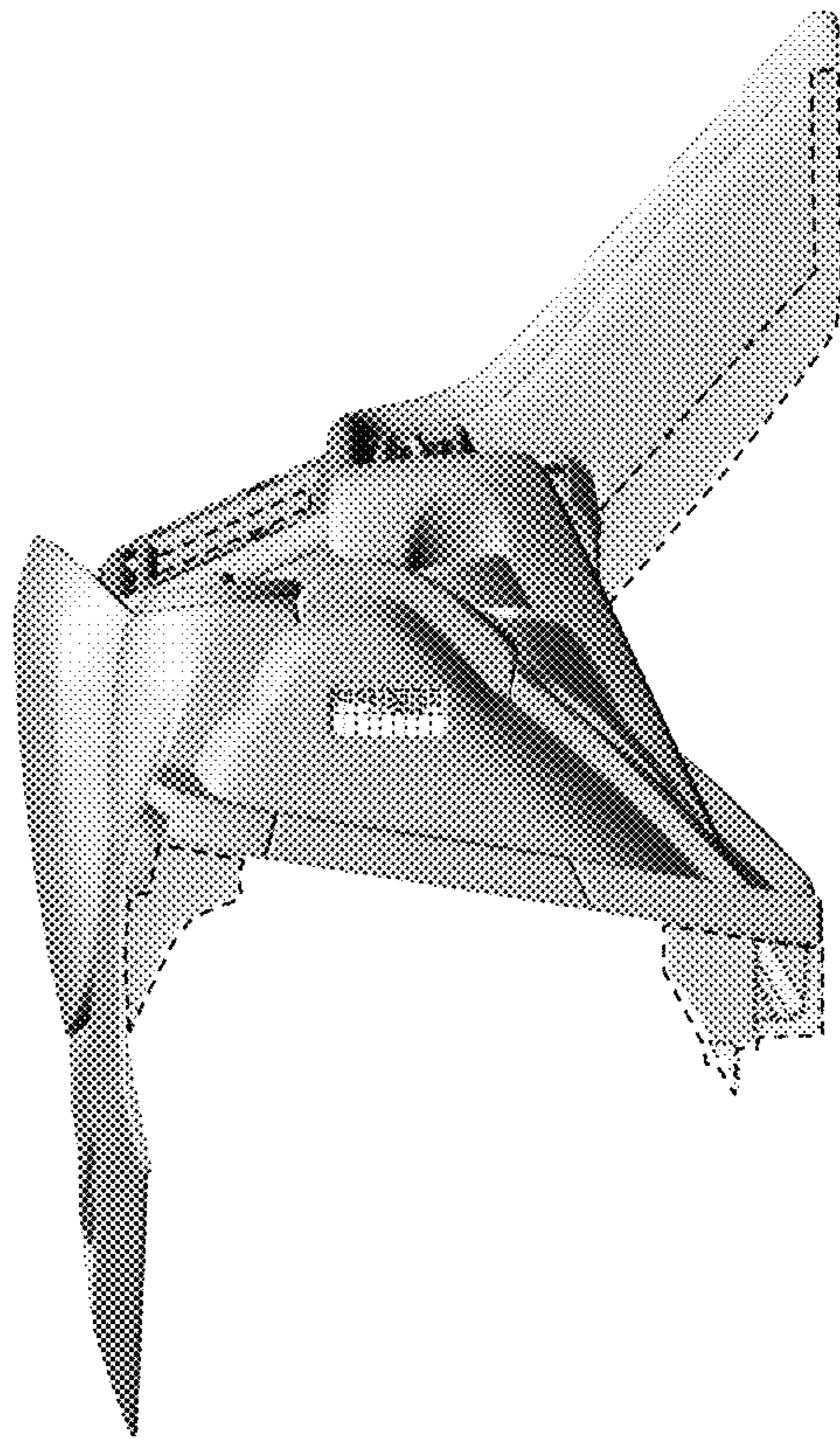


FIG. 5

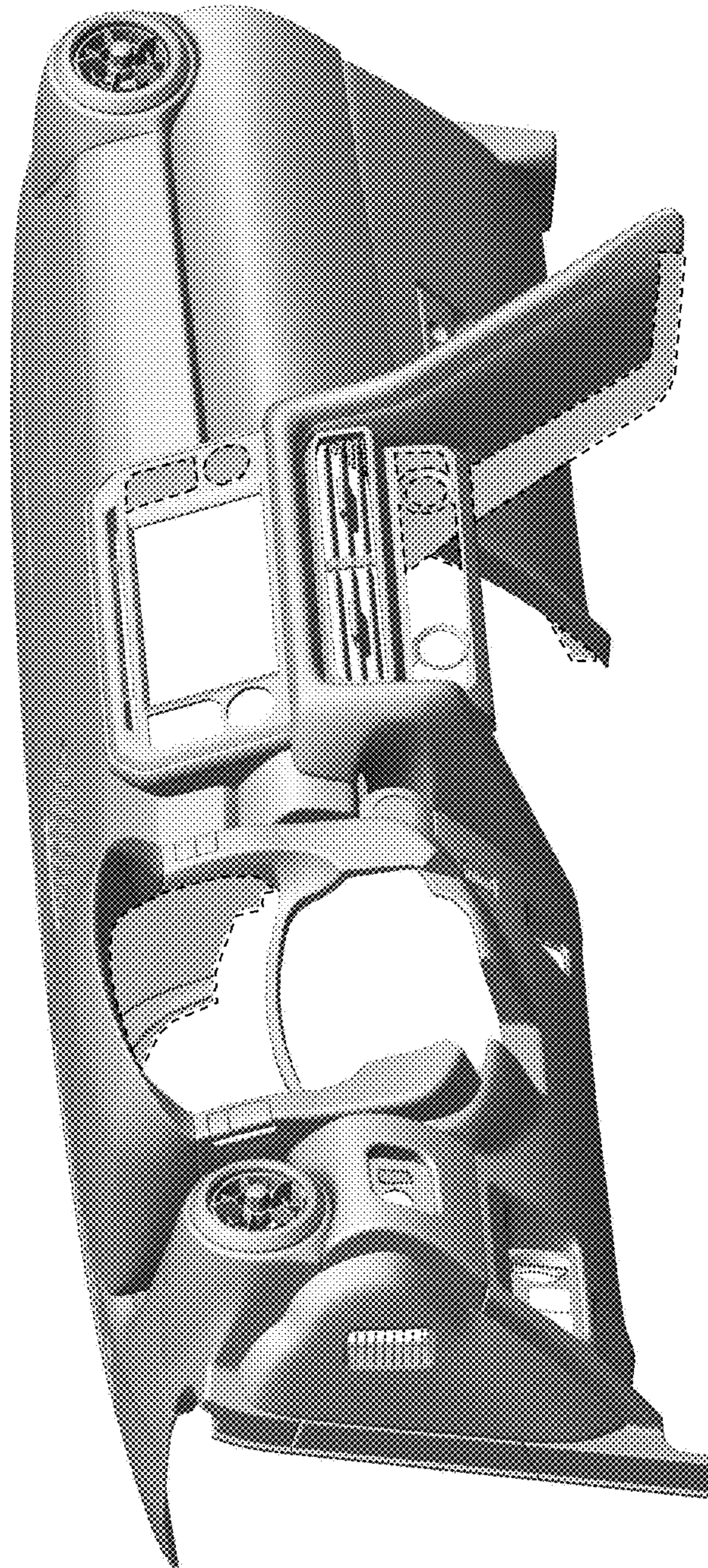


FIG. 6



FIG. 7